



US00D882050S

(12) **United States Design Patent**  
**Lattig**

(10) **Patent No.:** **US D882,050 S**  
(45) **Date of Patent:** **\*\* Apr. 21, 2020**

(54) **SAFETY FRAME**

- (71) Applicant: **Eugene J. Lattig**, Easton, PA (US)
- (72) Inventor: **Eugene J. Lattig**, Easton, PA (US)
- (\*\*) Term: **15 Years**
- (21) Appl. No.: **29/680,810**
- (22) Filed: **Feb. 20, 2019**
- (51) **LOC (12) Cl.** ..... **23-02**
- (52) **U.S. Cl.**  
USPC ..... **D23/299**
- (58) **Field of Classification Search**  
USPC ..... D23/296, 303, 309, 311; D12/128,  
D12/130-131  
CPC ..... A47K 13/06; A47K 13/24; A47K 17/028;  
A47K 11/04; A47C 12/02; G09B  
19/0076; Y10S 4/902  
See application file for complete search history.

(56) **References Cited**

**U.S. PATENT DOCUMENTS**

6,030,039	A *	2/2000	Essler	.....	A47C 15/008 128/845
6,779,204	B1 *	8/2004	Ciotic	.....	A47K 11/04 4/213
2006/0143816	A1 *	7/2006	Su	.....	A47K 11/04 4/483
2006/0207002	A1 *	9/2006	Bradshaw	.....	A47K 17/026 4/254
2010/0175178	A1 *	7/2010	Mrugala	.....	A47K 11/04 4/483
2010/0243011	A1 *	9/2010	Lin	.....	A47K 11/04 135/66
2011/0219529	A1 *	9/2011	Diamond	.....	A47K 11/04 4/449
2014/0125037	A1	5/2014	Andersen		
2015/0208884	A1 *	7/2015	Oluwasogo	.....	A47K 11/04 4/483
2016/0287038	A1 *	10/2016	Nelson	.....	A47K 11/04
2019/0328187	A1 *	10/2019	Lattig	.....	A47K 11/04

**FOREIGN PATENT DOCUMENTS**

CN 107794987 A 3/2018  
GB 2427207 A 12/2006

\* cited by examiner

*Primary Examiner* — Robert A Delehanty

(74) *Attorney, Agent, or Firm* — Fox Rothschild LLP

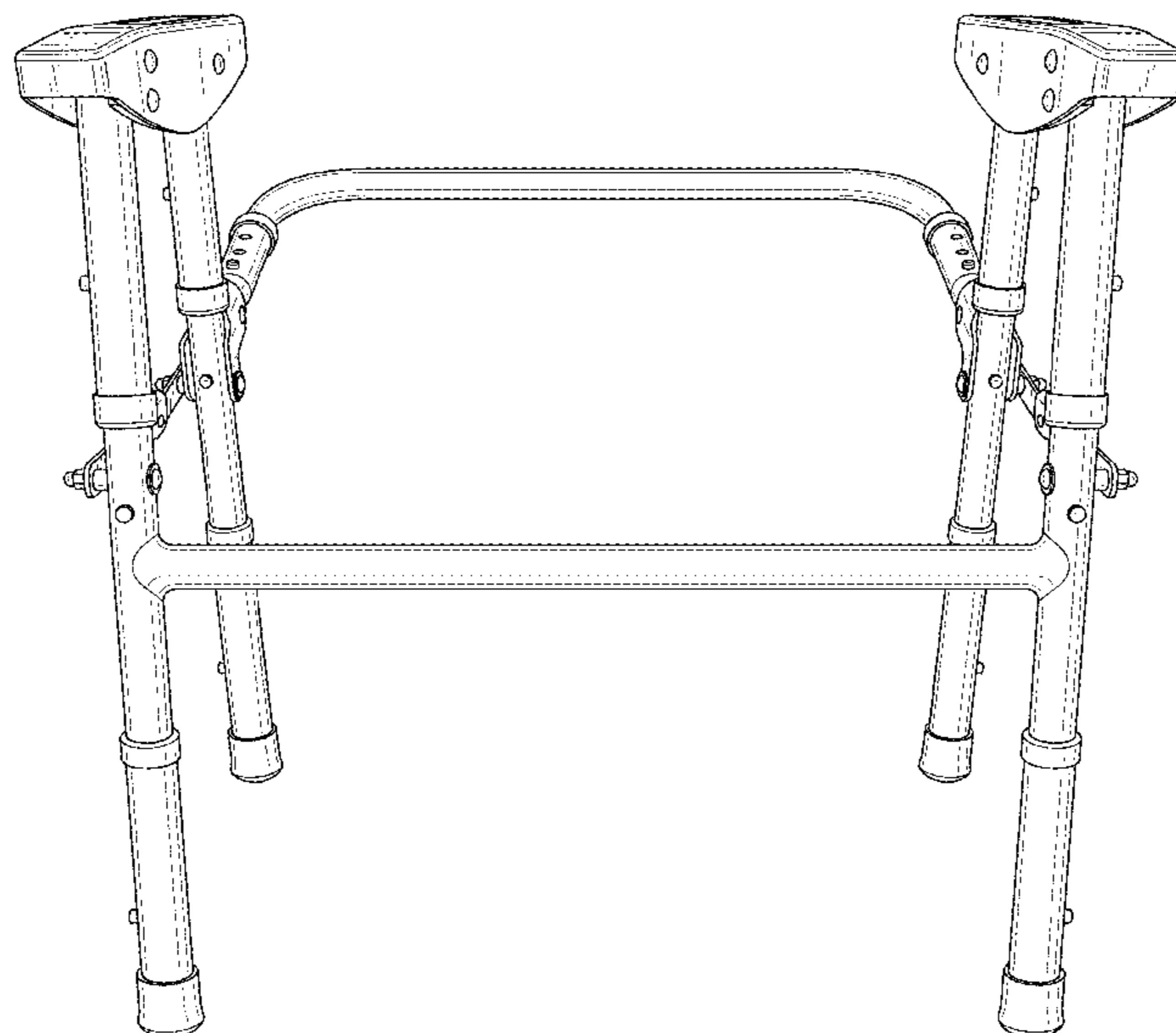
(57) **CLAIM**

The ornamental design for safety frame, as shown and described.

**DESCRIPTION**

FIG. 1 is a perspective view of the safety frame;  
 FIG. 2 is a front view thereof;  
 FIG. 3 is a rear view thereof;  
 FIG. 4 is a left-side view thereof;  
 FIG. 5 is a right-side view thereof;  
 FIG. 6 is a top plan view thereof;  
 FIG. 7 is a bottom plan view thereof;  
 FIG. 8 is a perspective view of a closed configuration of the safety frame illustrated in FIG. 1;  
 FIG. 9 is a front view of the safety frame illustrated in FIG. 8;  
 FIG. 10 is a rear view of the safety frame illustrated in FIG. 8;  
 FIG. 11 is a left-side view of the safety frame illustrated in FIG. 8;  
 FIG. 12 is a right-side view of the safety frame illustrated in FIG. 8;  
 FIG. 13 is a top plan view of the safety frame illustrated in FIG. 8; and,  
 FIG. 14 is a bottom plan view of the safety frame illustrated in FIG. 8.

**1 Claim, 14 Drawing Sheets**



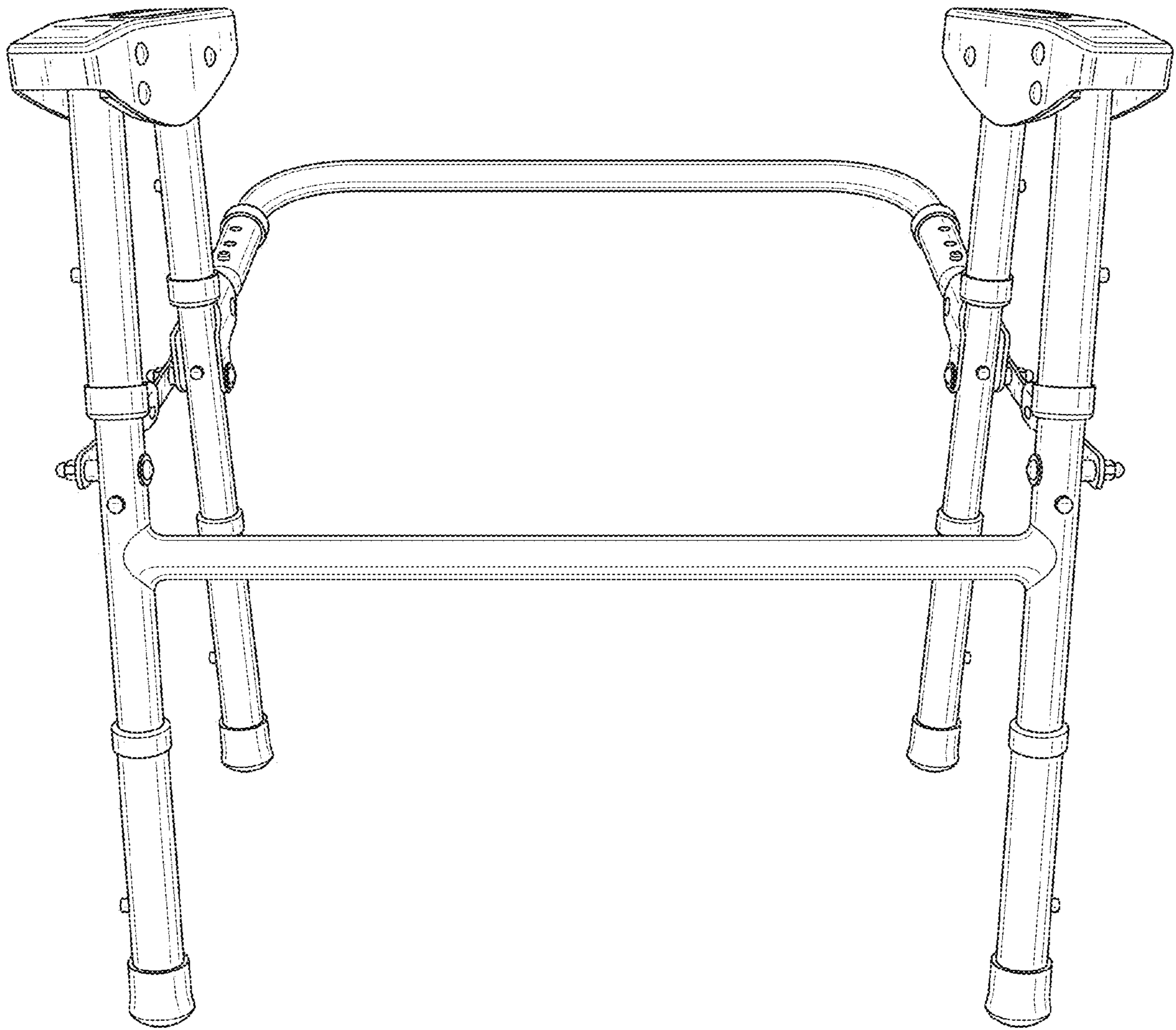


FIG. 1

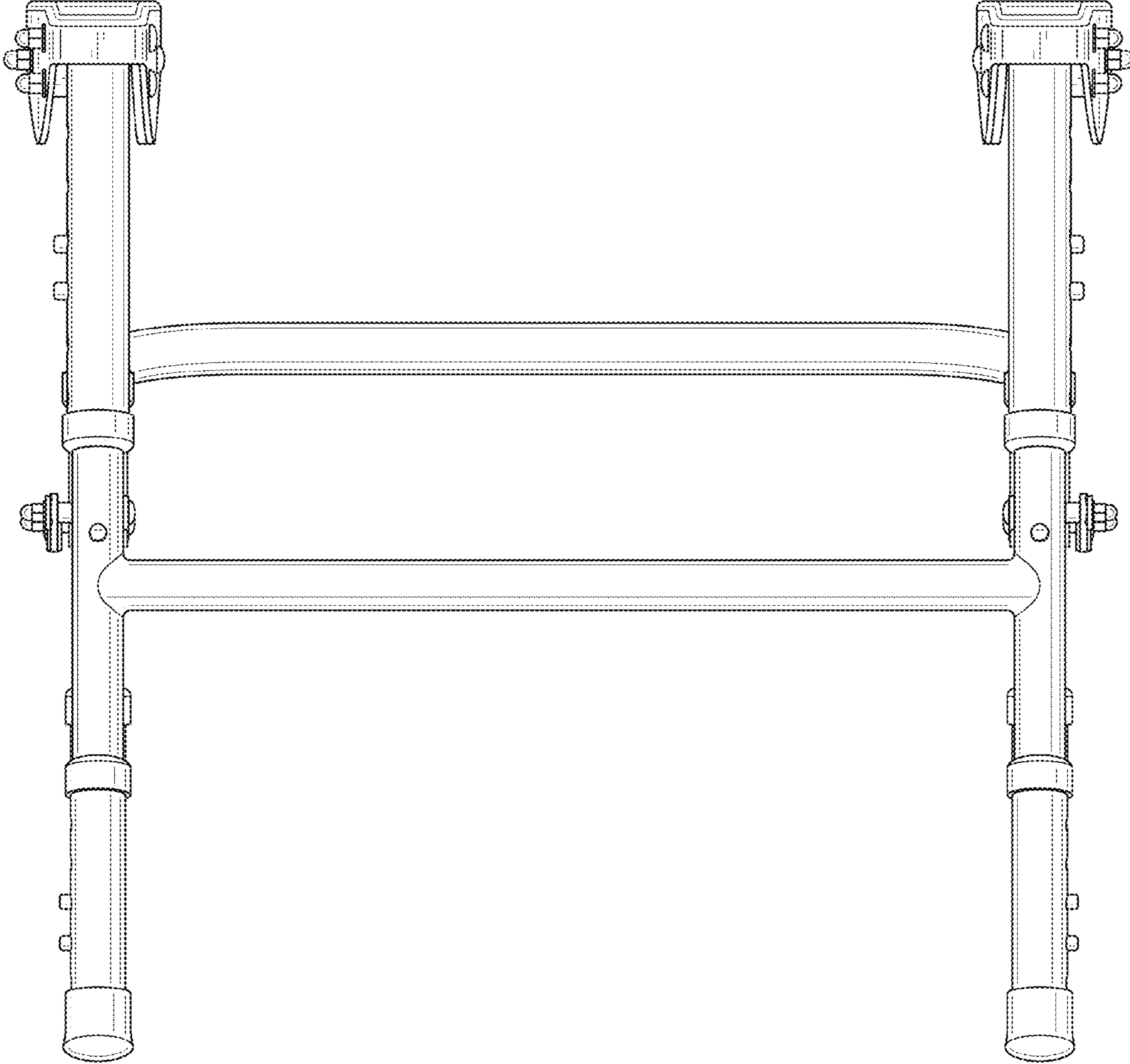


FIG. 2

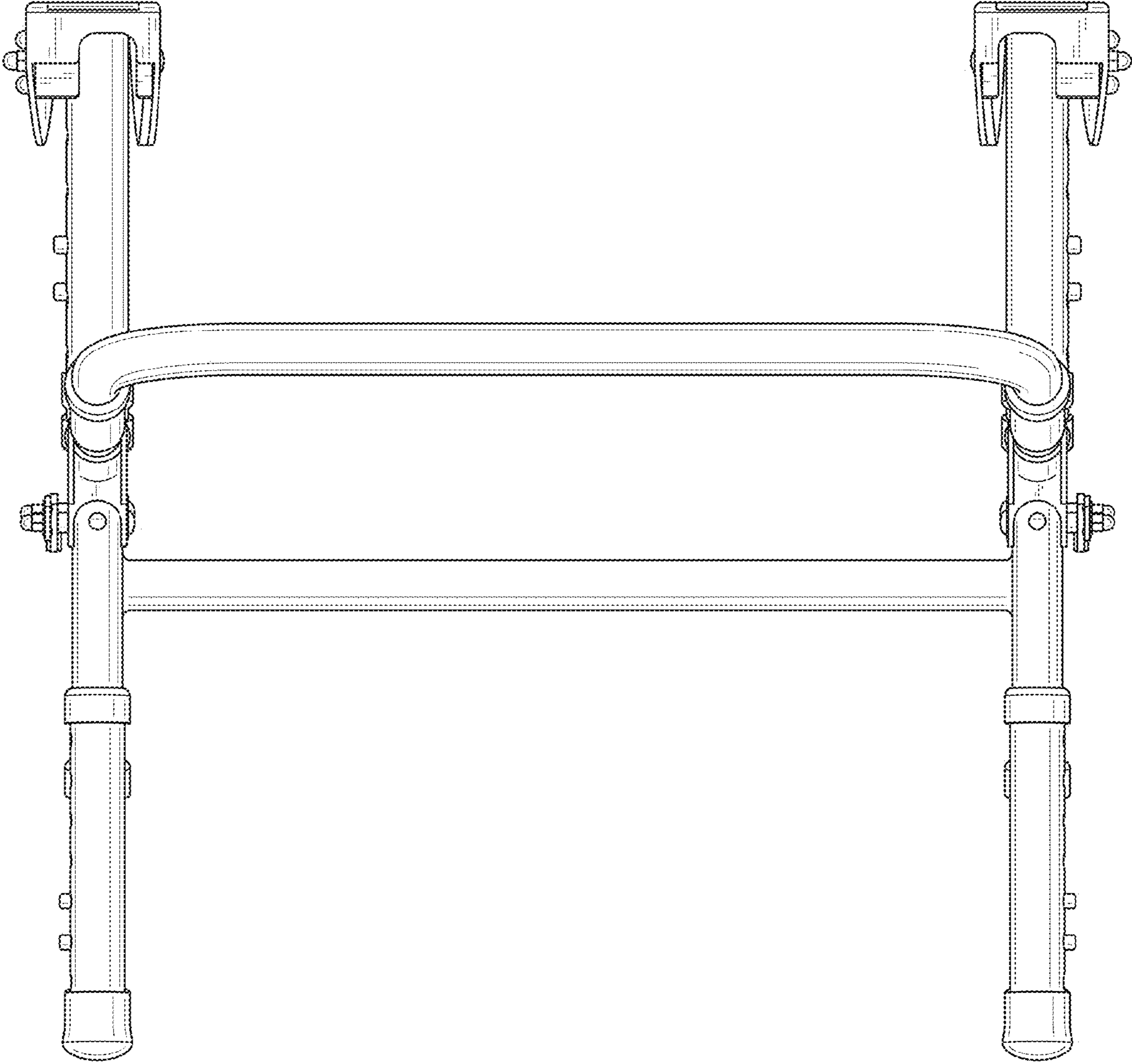


FIG. 3

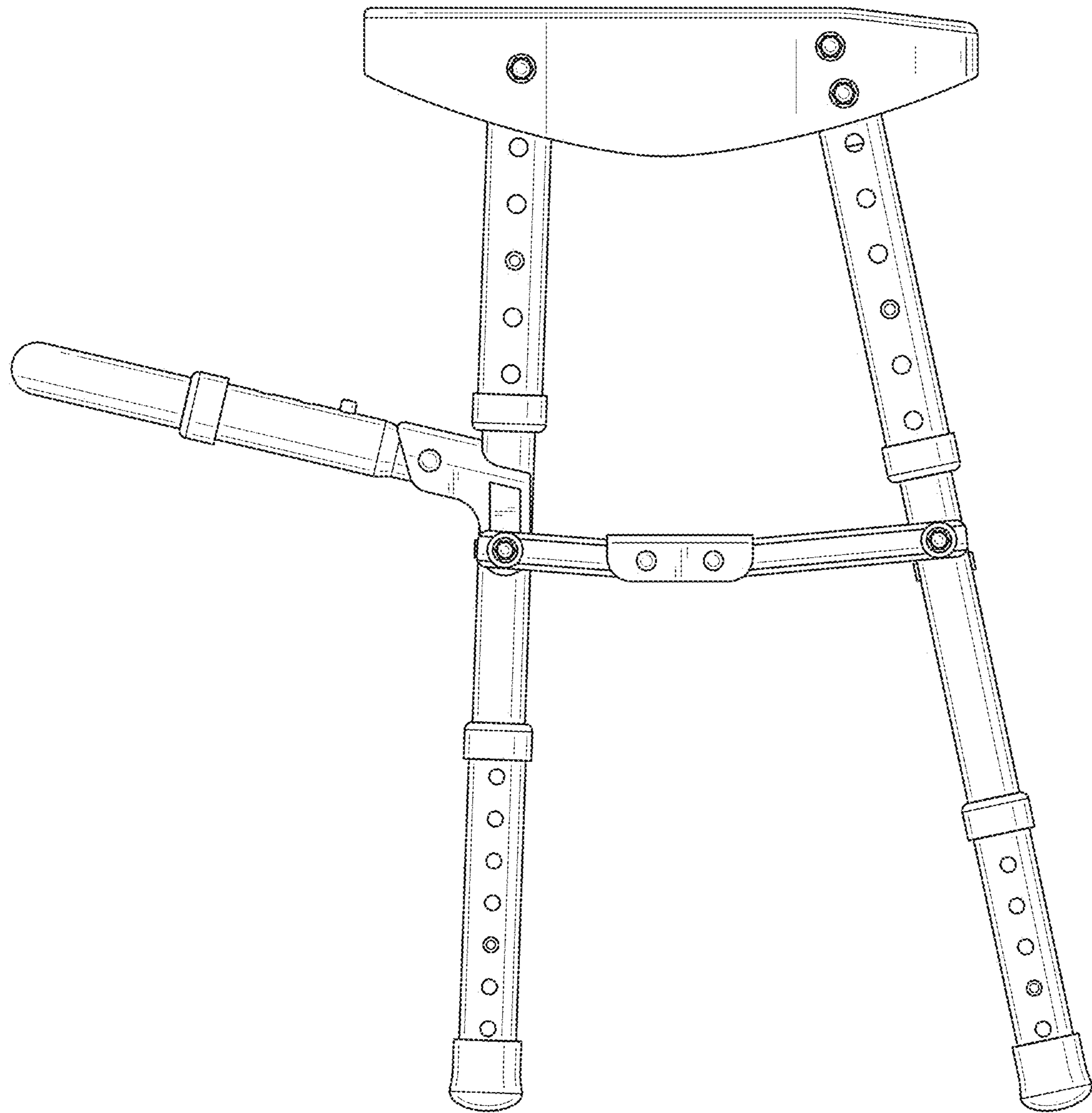


FIG. 4

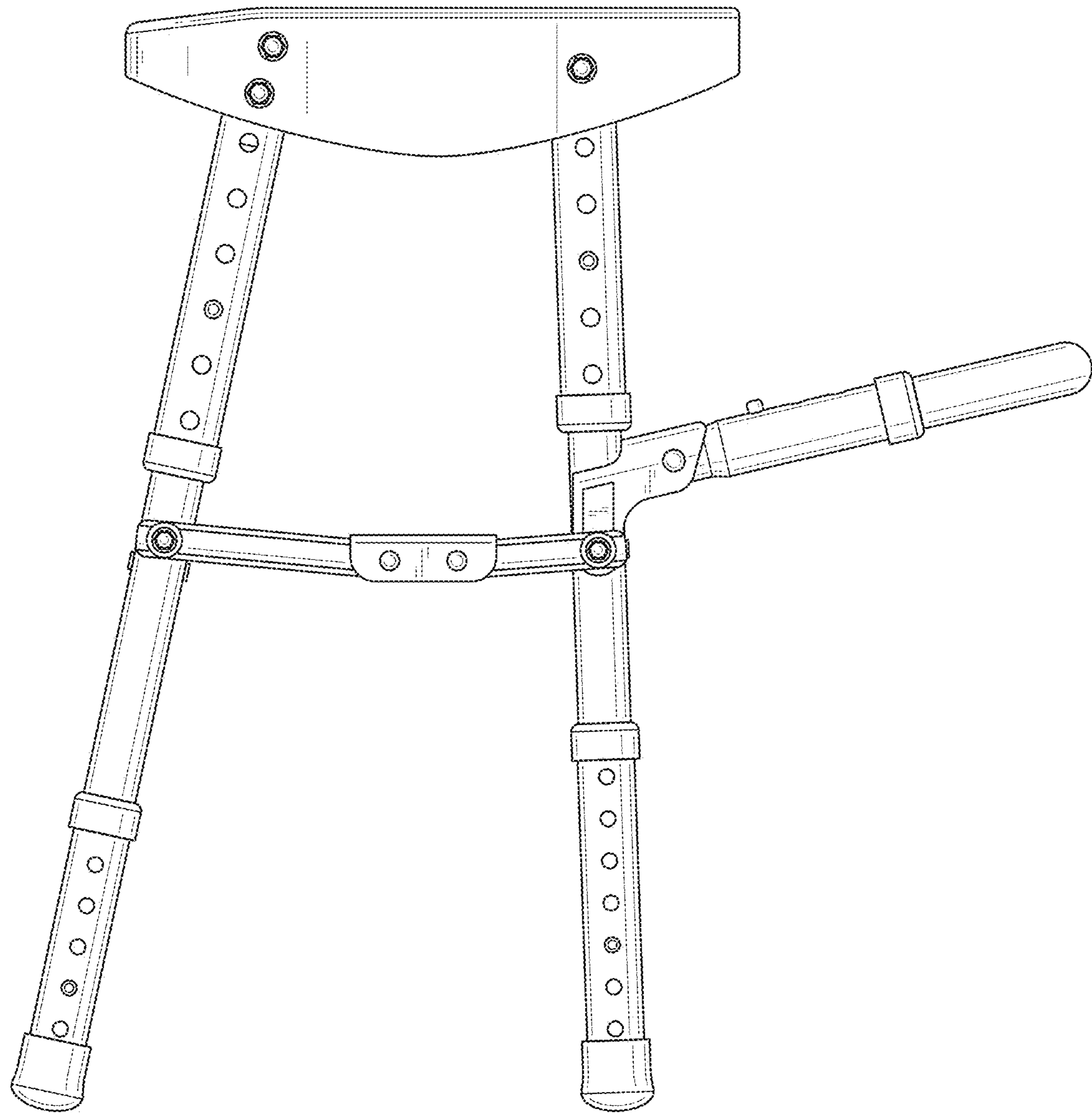


FIG. 5

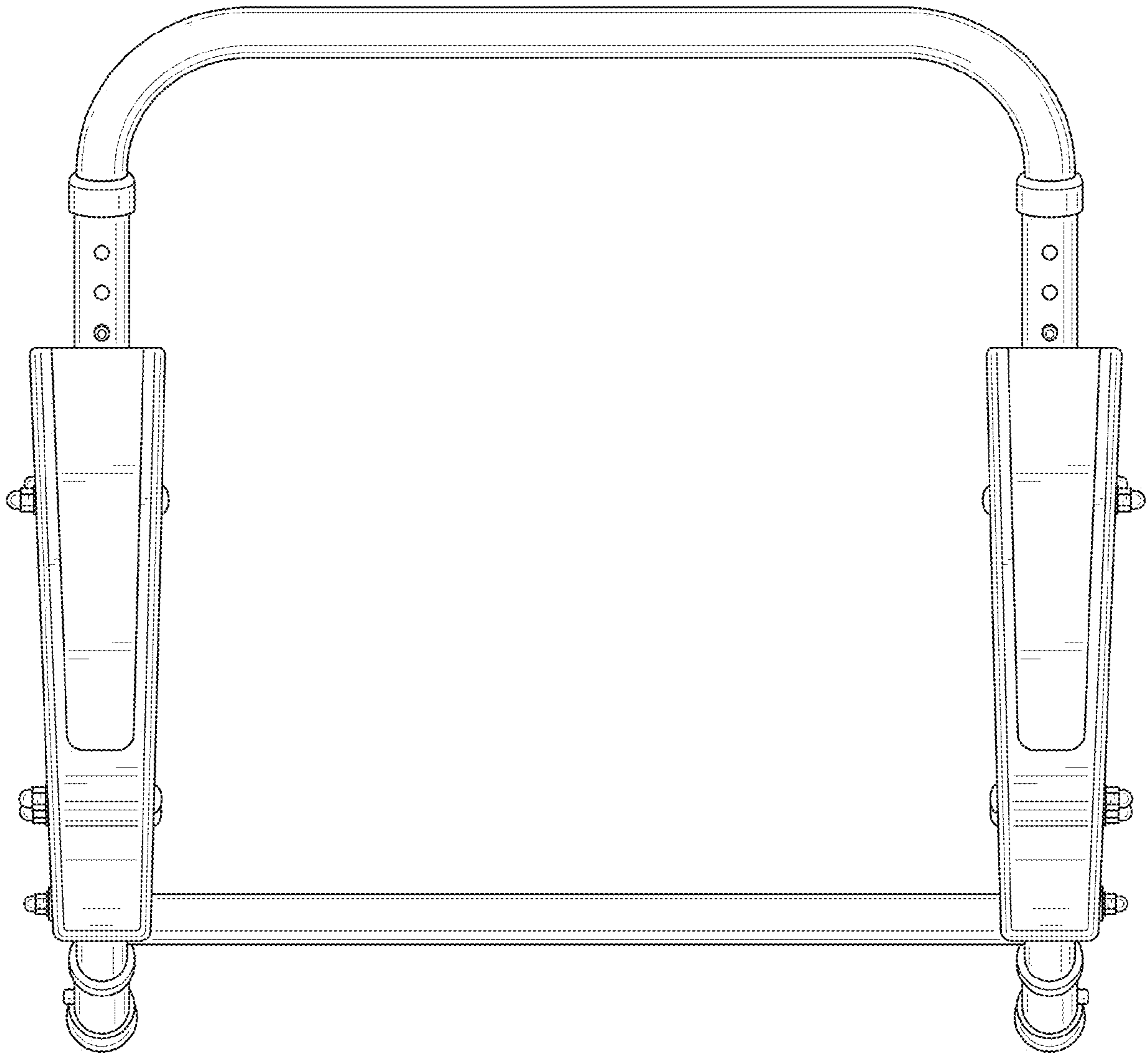


FIG. 6

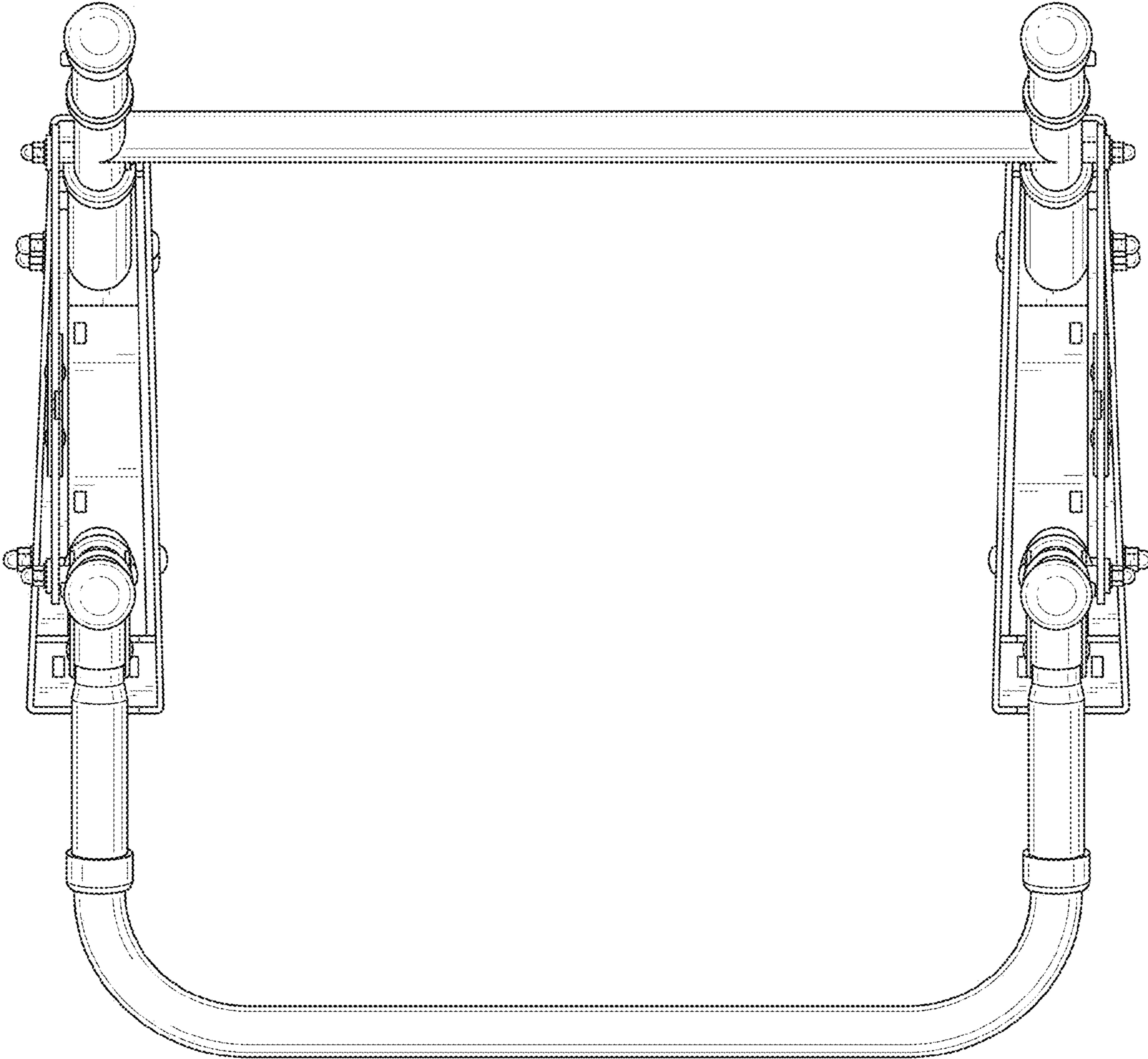


FIG. 7



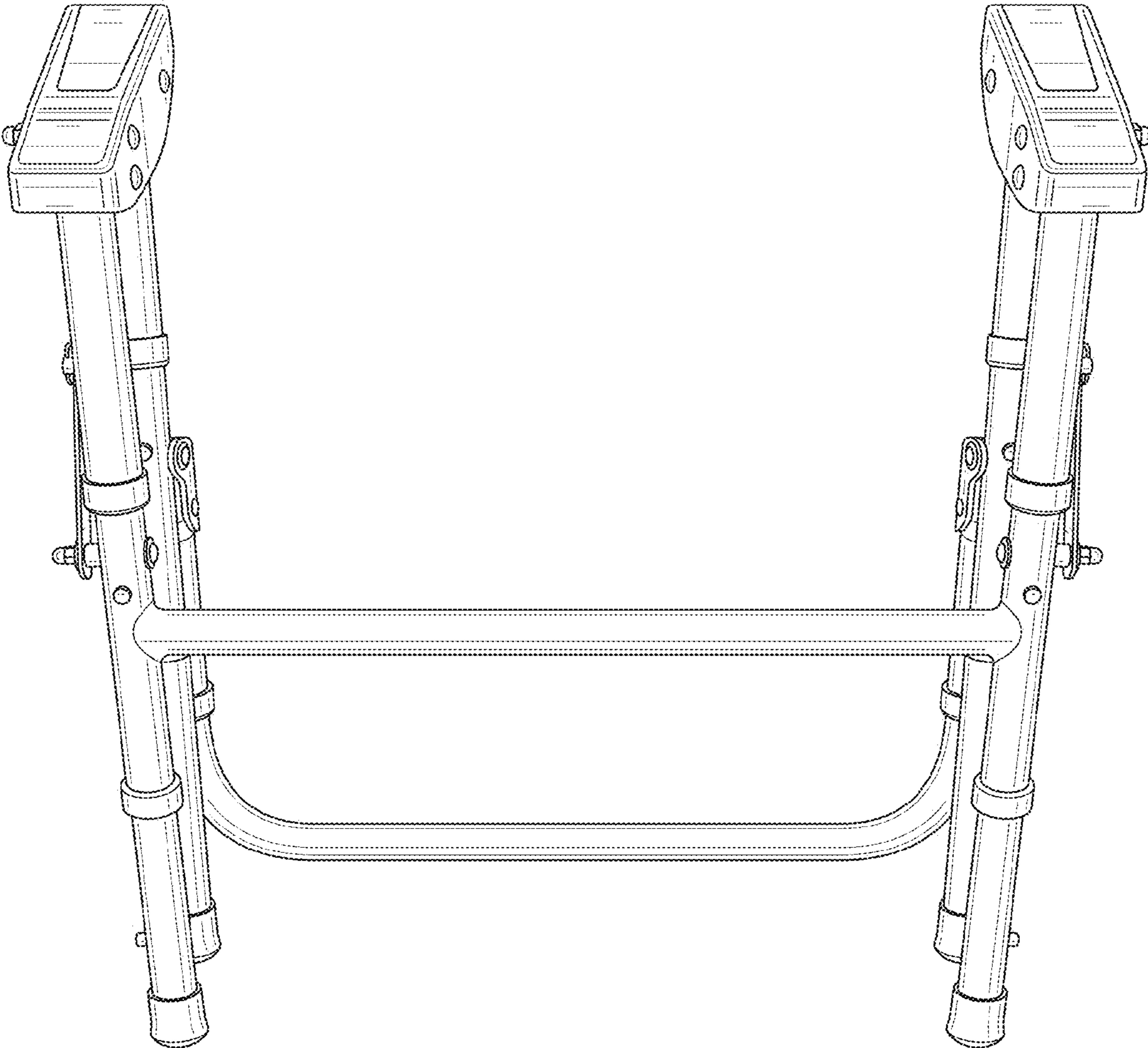


FIG. 8

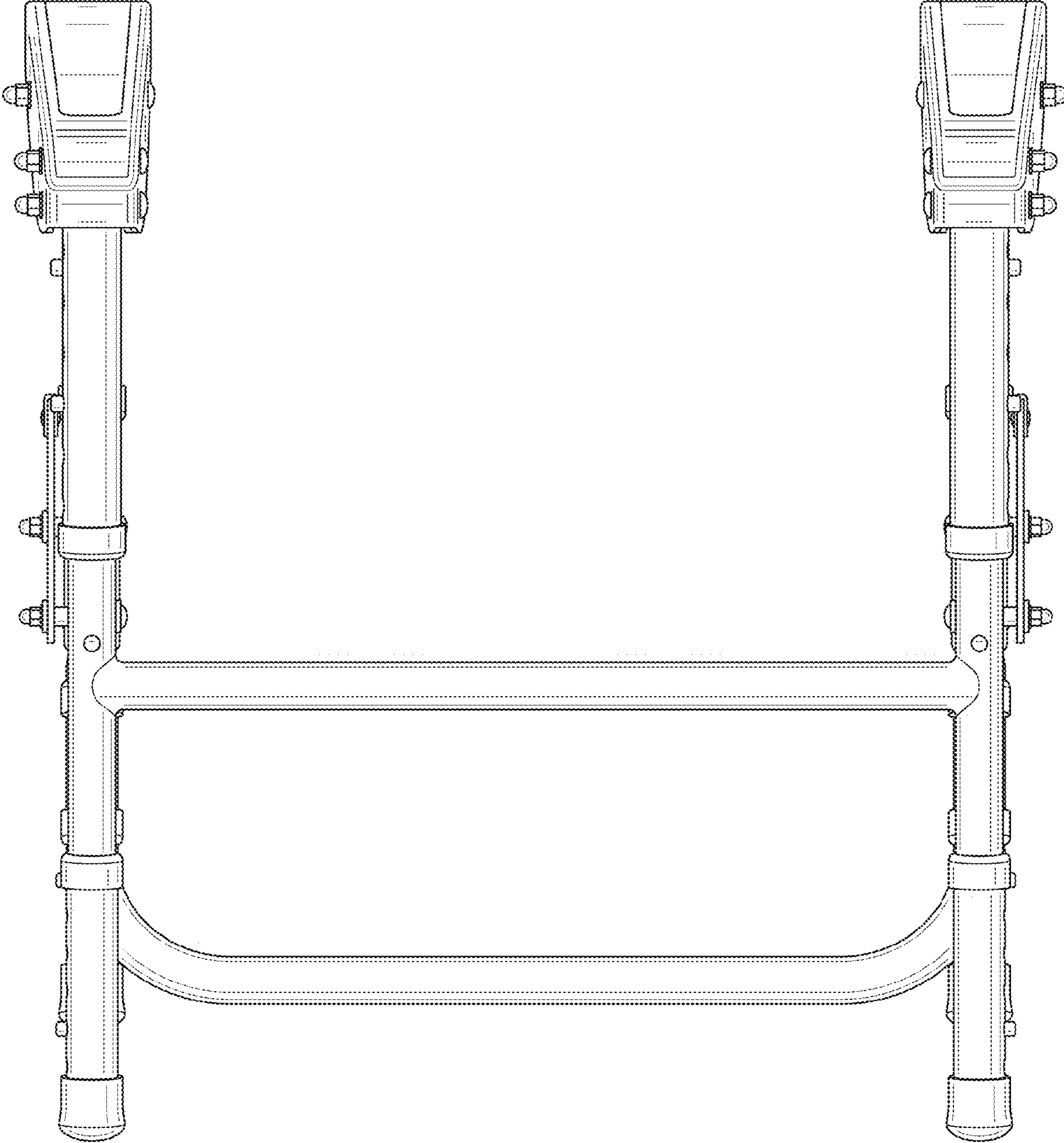


FIG. 9

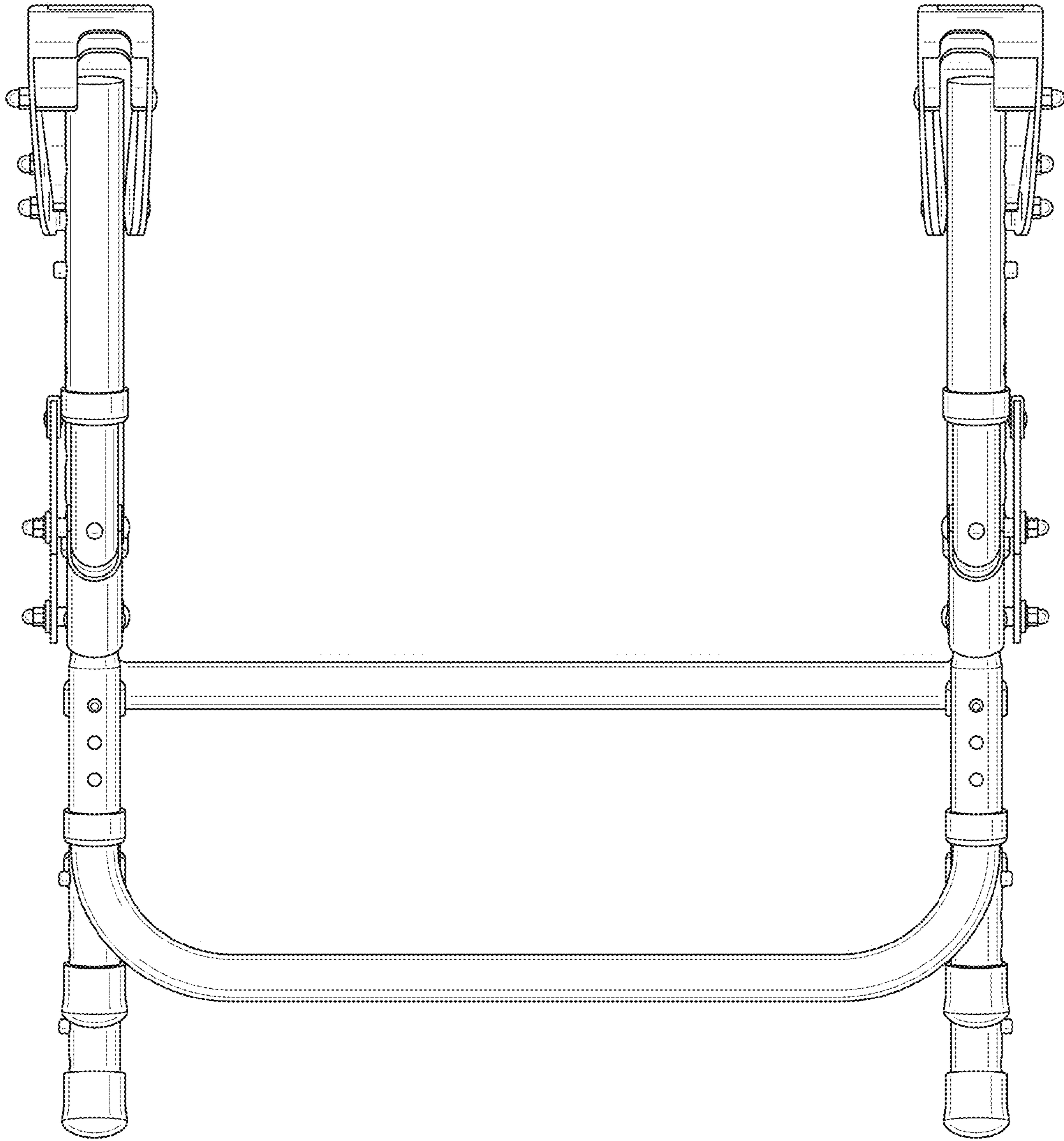


FIG. 10

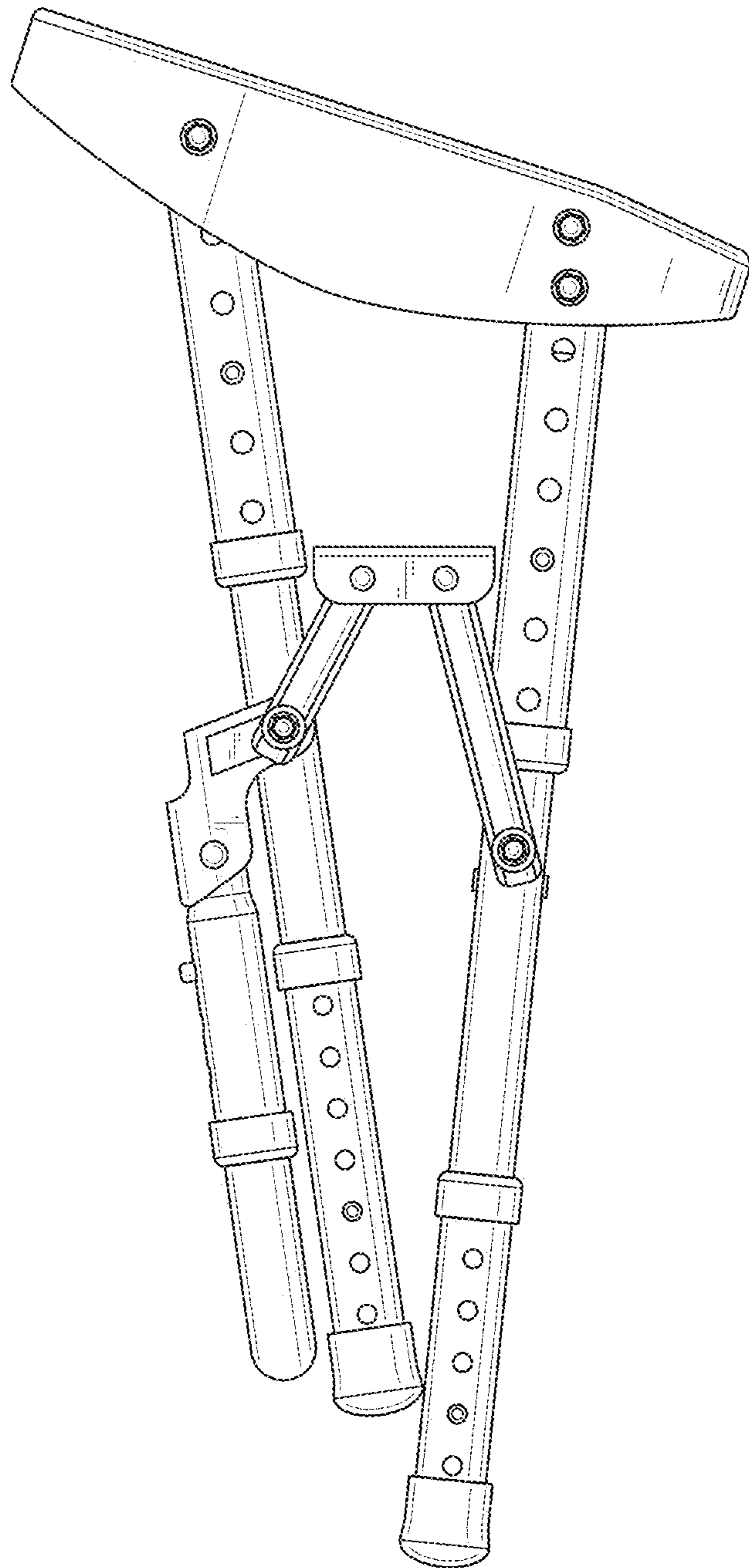


FIG. 11

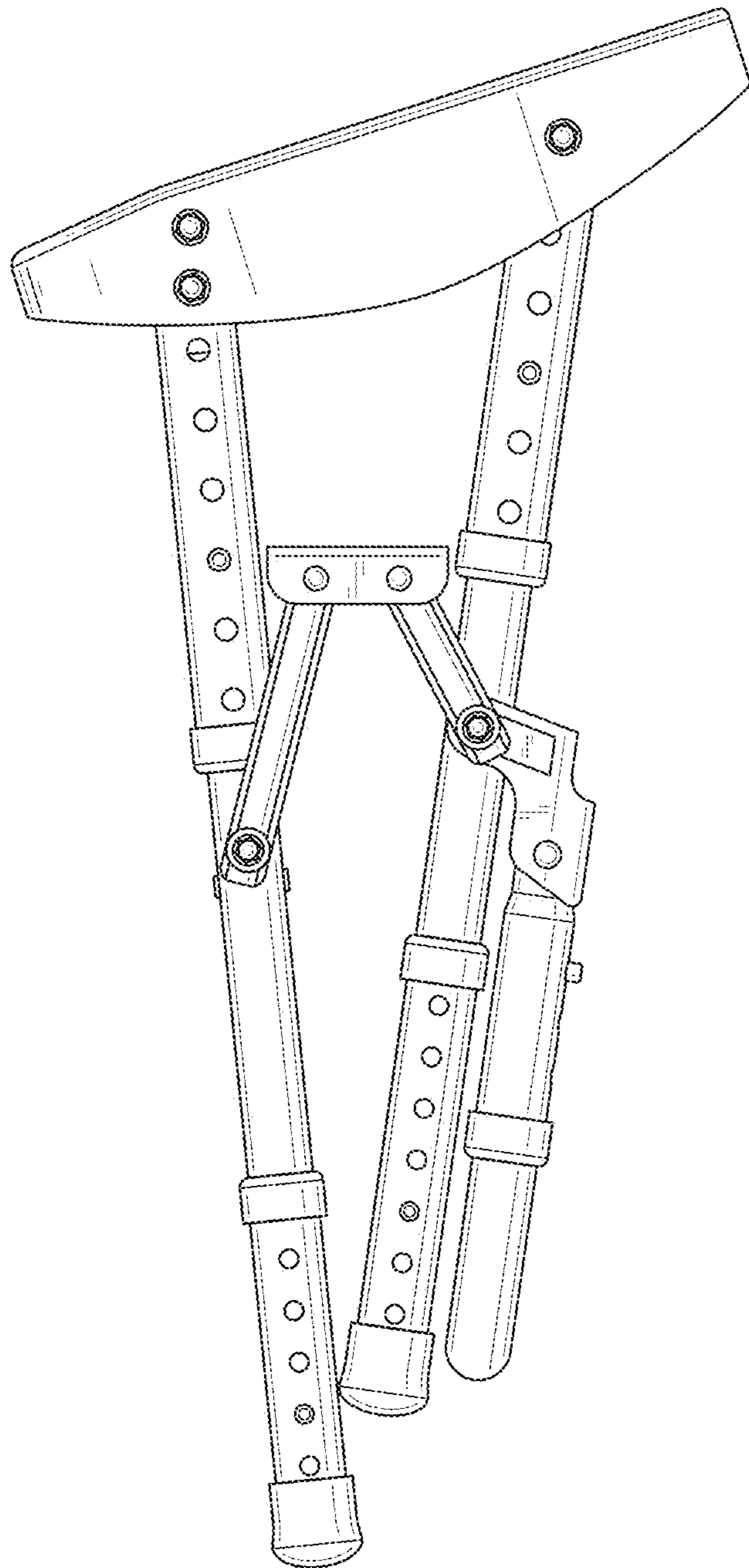


FIG. 12



FIG. 13

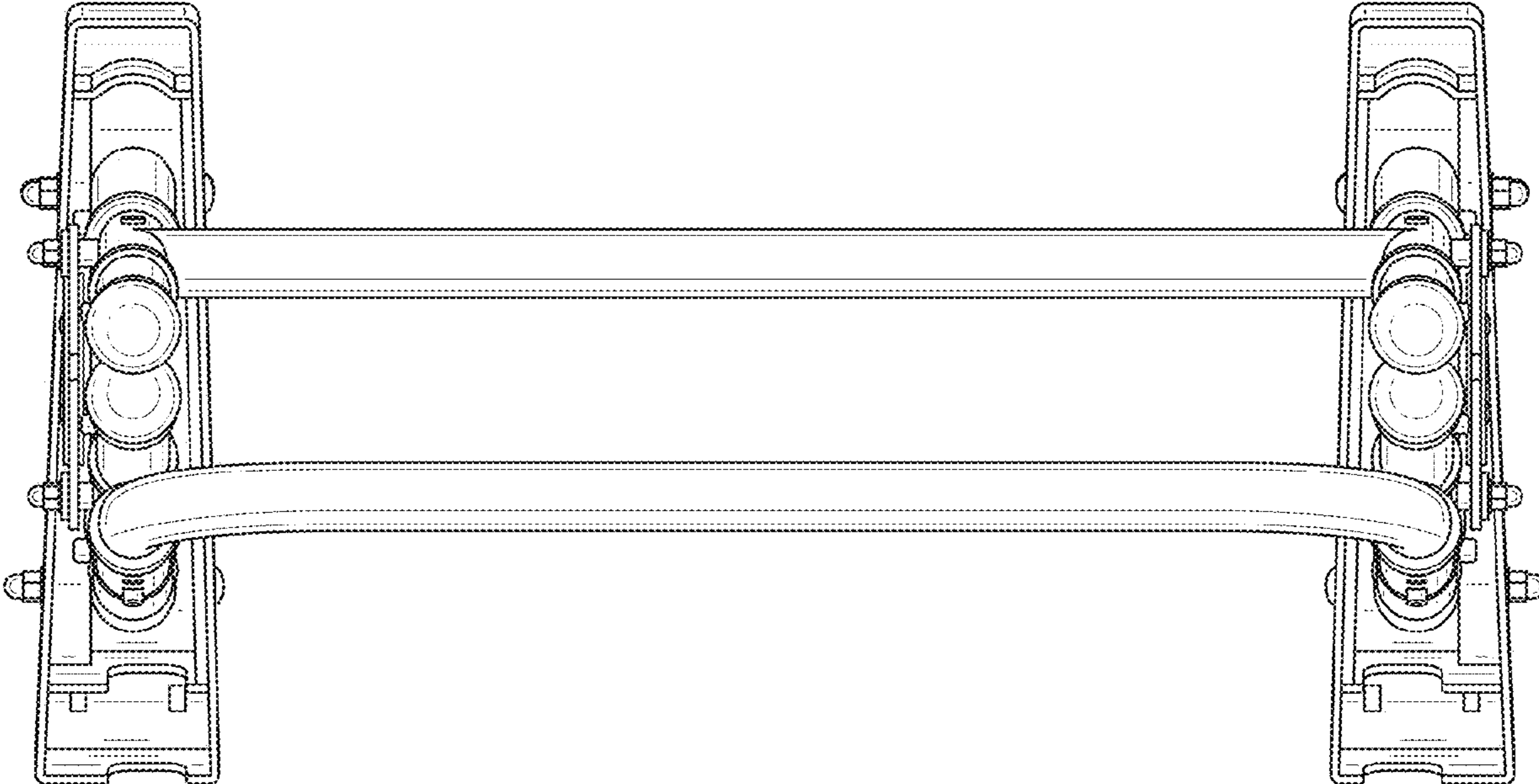


FIG. 14