



US00D882049S

(12) **United States Design Patent**  
**Borsellini**

(10) **Patent No.:** **US D882,049 S**  
(45) **Date of Patent:** **\*\* Apr. 21, 2020**

(54) **WASHBASIN**

(71) Applicant: **Glass Design S.R.L.**, Vinci (FI) (IT)

(72) Inventor: **Gian Luca Borsellini**, Vinci (IT)

(73) Assignee: **Glass Design S.R.L.**, Vinci (FI) (IT)

(\*\*) Term: **15 Years**

(21) Appl. No.: **29/648,711**

(22) Filed: **May 23, 2018**

(51) **LOC (12) Cl.** ..... **23-02**

(52) **U.S. Cl.**  
USPC ..... **D23/284**

(58) **Field of Classification Search**  
USPC ..... D23/284, 293.1, 308, 285–286, 303;  
D7/584, 586

See application file for complete search history.

(56) **References Cited**

U.S. PATENT DOCUMENTS

D598,994 S \* 8/2009 Aso ..... D23/293.1  
D603,487 S \* 11/2009 Aso ..... D23/293.1

(Continued)

*Primary Examiner* — Robert A Delehanty

(74) *Attorney, Agent, or Firm* — Nancy J. Flint, Attorney  
at Law, P.A.; Nancy J. Flint, Esq.

(57) **CLAIM**

The ornamental design for a washbasin, as shown and described.

**DESCRIPTION**

FIG. 1 is a top perspective view of a first embodiment of a washbasin showing my new design;

FIG. 2 is a top view of the first embodiment of the washbasin;

FIG. 3 is a left side view of the first embodiment of the washbasin;

FIG. 4 is a front view of the first embodiment of the washbasin;

FIG. 5 is a bottom view of the first embodiment of the washbasin;

FIG. 6 is a bottom perspective view of the first embodiment of the washbasin;

FIG. 7 is a cross-sectional view of the first embodiment of the washbasin along line B-B;

FIG. 8 is a cross-sectional view of the first embodiment of the washbasin along line A-A;

FIG. 9 is a top perspective view of a second embodiment of the washbasin;

FIG. 10 is a top view of the second embodiment of the washbasin;

FIG. 11 is a left side view of the second embodiment of the washbasin;

FIG. 12 is a front view of the second embodiment of the washbasin;

FIG. 13 is a bottom view of the second embodiment of the washbasin;

FIG. 14 is a bottom perspective view of the second embodiment of the washbasin;

FIG. 15 is a cross-sectional view of the second embodiment of the washbasin along line B-B;

FIG. 16 is a cross-sectional view of the second embodiment of the washbasin along line A-A;

FIG. 17 is a top perspective view of a third embodiment of the washbasin;

FIG. 18 is a top view of the third embodiment of the washbasin;

FIG. 19 is a left side view of the third embodiment of the washbasin;

FIG. 20 is a bottom view of the third embodiment of the washbasin;

FIG. 21 is a bottom perspective view of the third embodiment of the washbasin;

FIG. 22 is a cross-sectional view of the third embodiment of the washbasin along line A-A;

FIG. 23 is a top perspective view of a fourth embodiment of the washbasin;

FIG. 24 is a top view of the fourth embodiment of the washbasin;

(Continued)

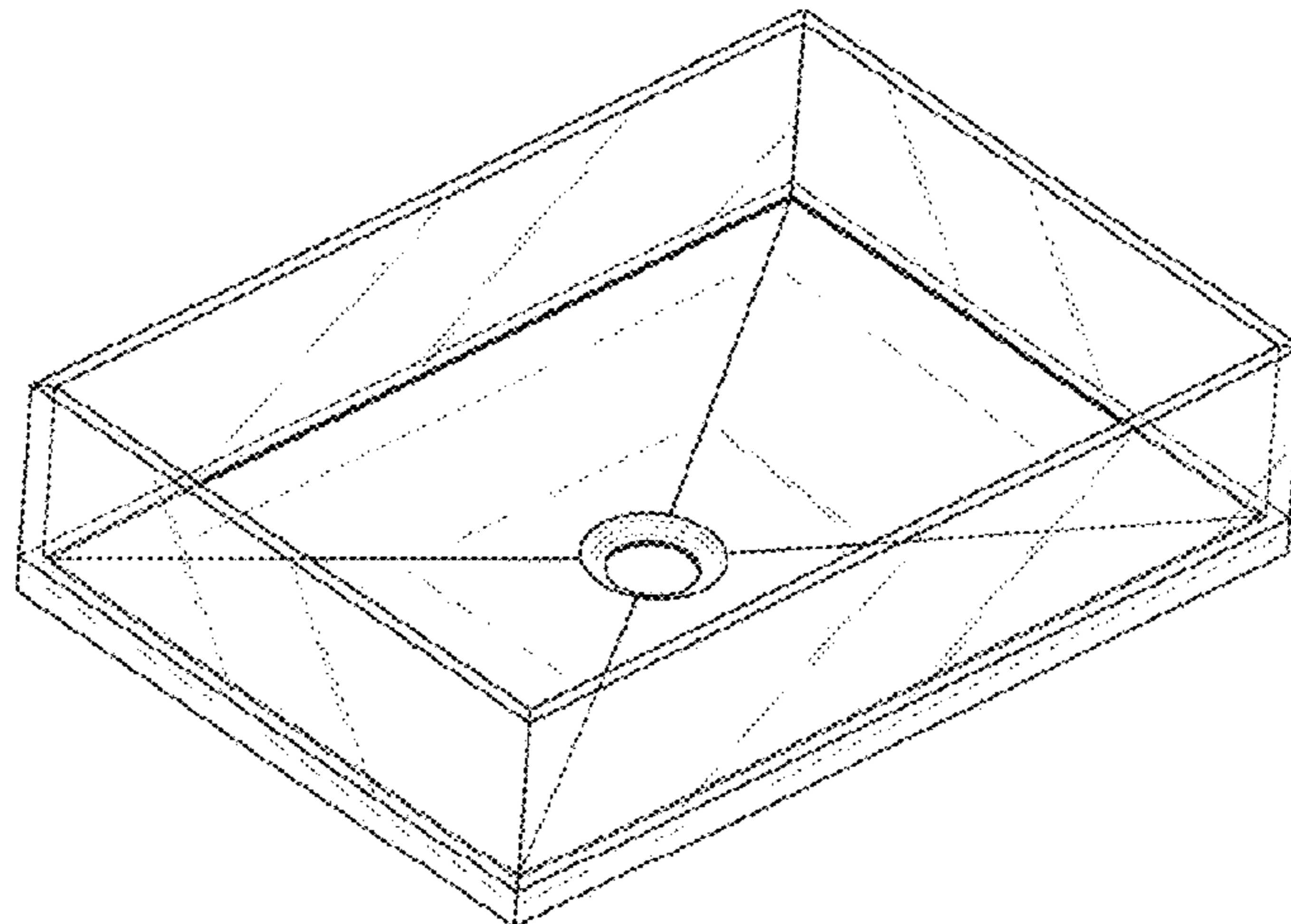


FIG. 25 is a left side view of the fourth embodiment of the washbasin;  
 FIG. 26 is a front view of the fourth embodiment of the washbasin;  
 FIG. 27 is a bottom view of the fourth embodiment of the washbasin;  
 FIG. 28 is a bottom perspective view of the fourth embodiment of the washbasin;  
 FIG. 29 is a cross-sectional view of the fourth embodiment of the washbasin along line B-B;  
 FIG. 30 is a cross-sectional view of the fourth embodiment of the washbasin along line A-A;  
 FIG. 31 is a top perspective view of a fifth embodiment of the washbasin;  
 FIG. 32 is a top view of the fifth embodiment of the washbasin;  
 FIG. 33 is a left side view of the fifth embodiment of the washbasin;  
 FIG. 34 is a front view of the fifth embodiment of the washbasin;  
 FIG. 35 is a bottom view of the fifth embodiment of the washbasin;  
 FIG. 36 is a bottom perspective view of the fifth embodiment of the washbasin;  
 FIG. 37 is a cross-sectional view of the fifth embodiment of the washbasin along line B-B; and,  
 FIG. 38 is a cross-sectional view of the fifth embodiment of the washbasin along line A-A.

Right side, front and rear views not shown of the third embodiment of the washbasin are mirror images of the left side views. Right side views not shown of the first, second, fourth, and fifth embodiments of the washbasin are mirror images of the left side views. Rear views not shown of the first, second, fourth, and fifth embodiments of the washbasin are mirror images of the front views. Hatch lines in FIGS. 7, 8, 15, 16, 22, 29, 30, 37 and 38 depict internal structure not visible from the exterior that do not form part of the design sought to be patented.

**1 Claim, 38 Drawing Sheets**

(56)

**References Cited**

U.S. PATENT DOCUMENTS

D630,308	S	*	1/2011	Webb	.....	D23/293.1
D690,166	S	*	9/2013	Montgomery	.....	D7/586
D697,597	S	*	1/2014	Garland	.....	D23/293.1
D753,277	S	*	4/2016	Wobbrock	.....	D23/284
D813,361	S	*	3/2018	Krahn	.....	D23/308
D842,441	S	*	3/2019	Quinn	.....	D23/293.1
D842,973	S	*	3/2019	Salomon	.....	D23/293.1
D849,896	S	*	5/2019	Salomon	.....	D23/293.1

\* cited by examiner

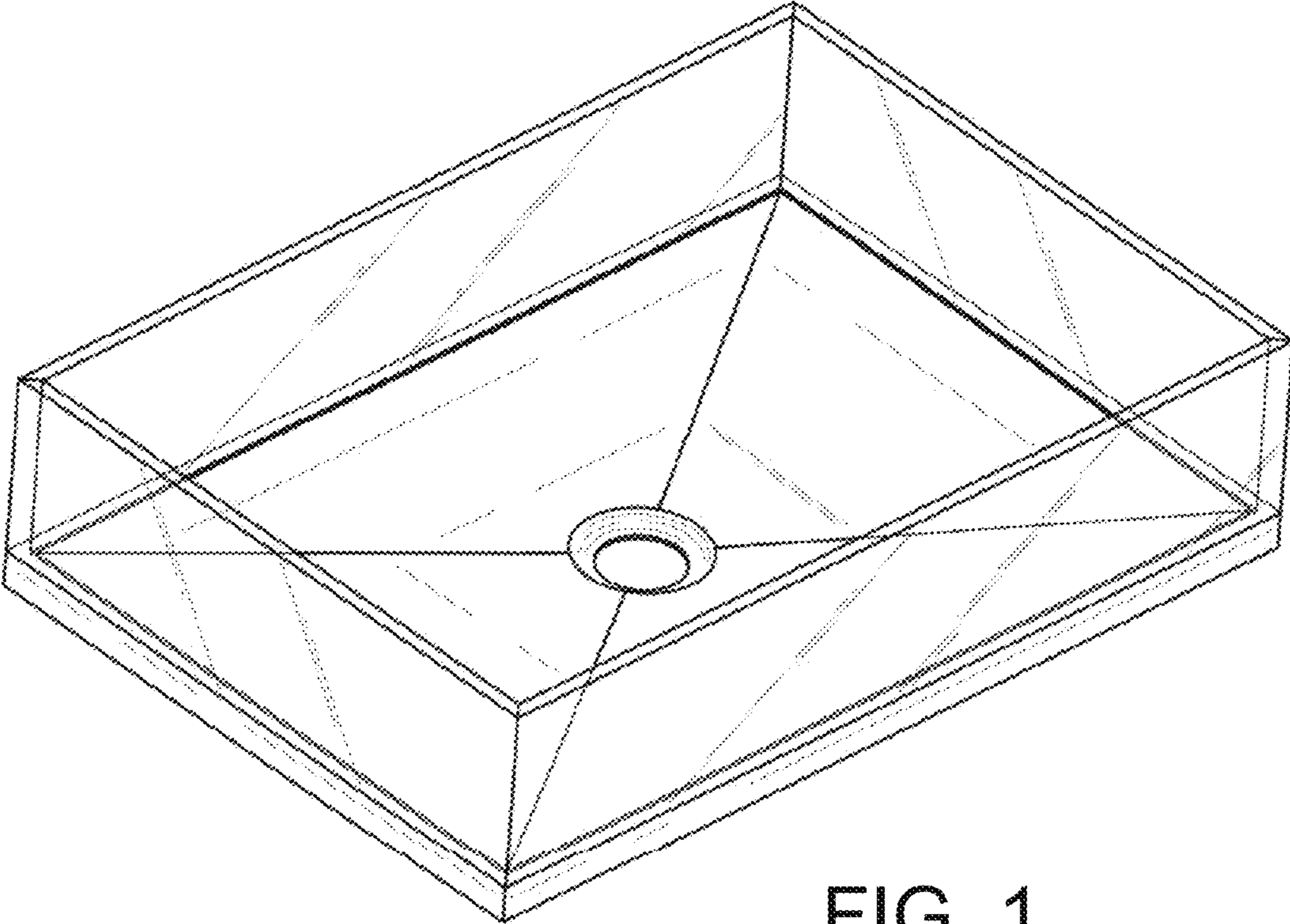


FIG. 1

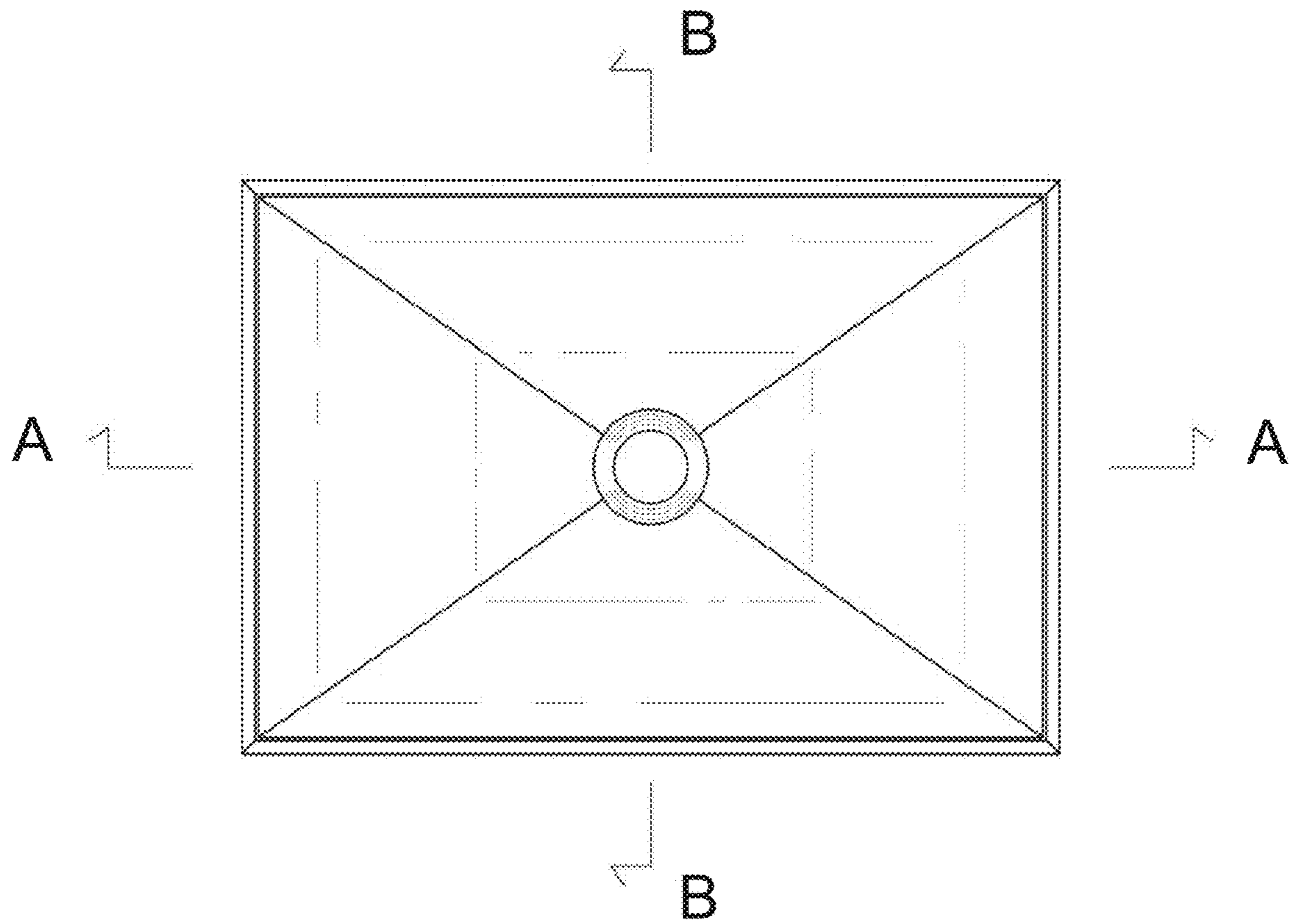


FIG. 2

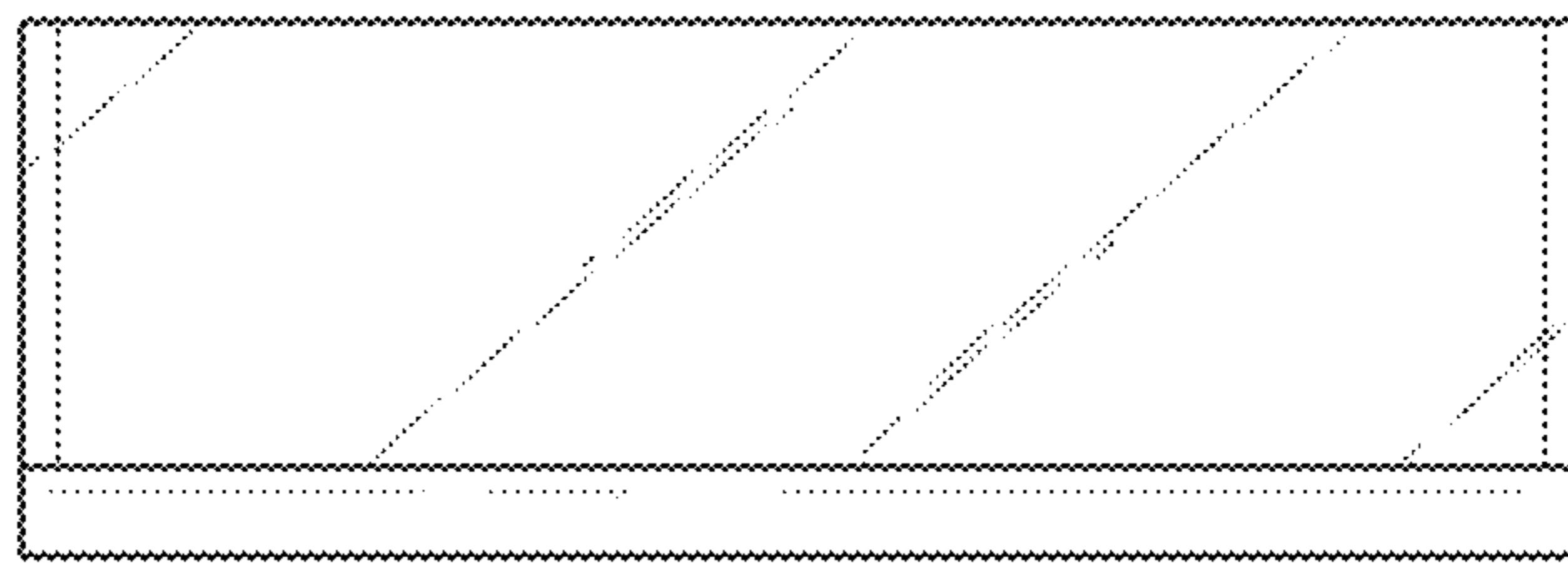


FIG. 3

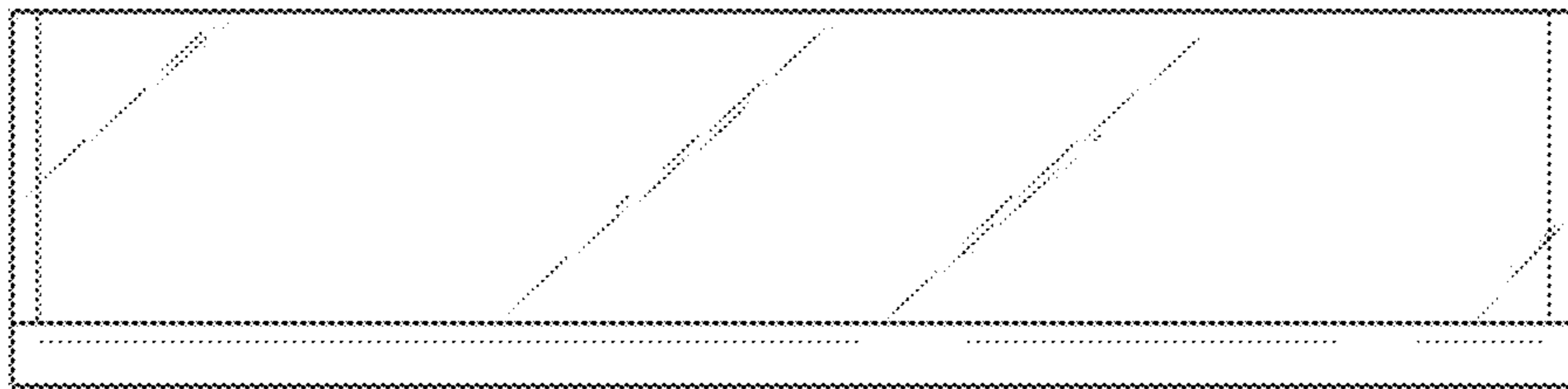


FIG. 4

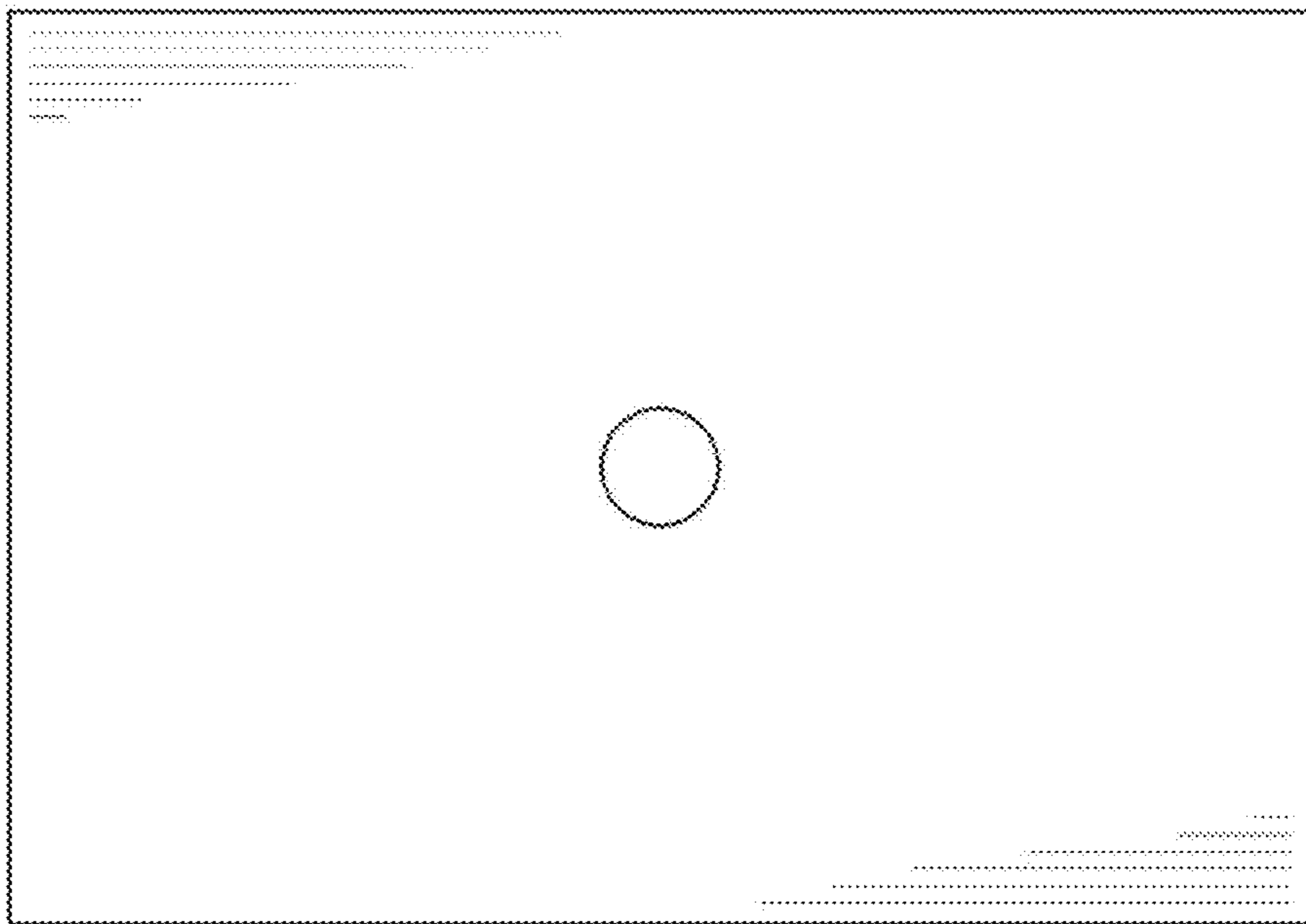


FIG. 5

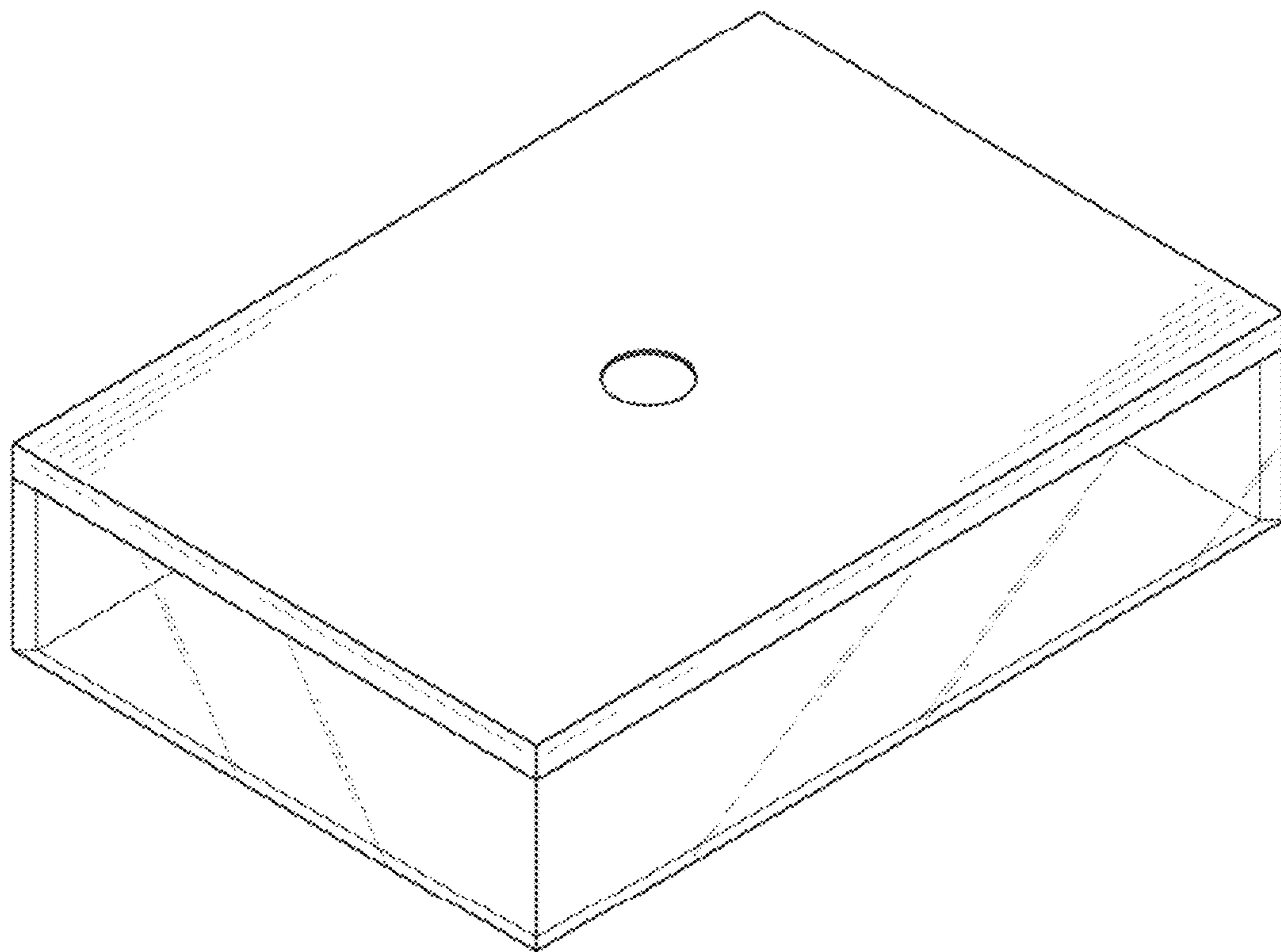


FIG. 6



B-B

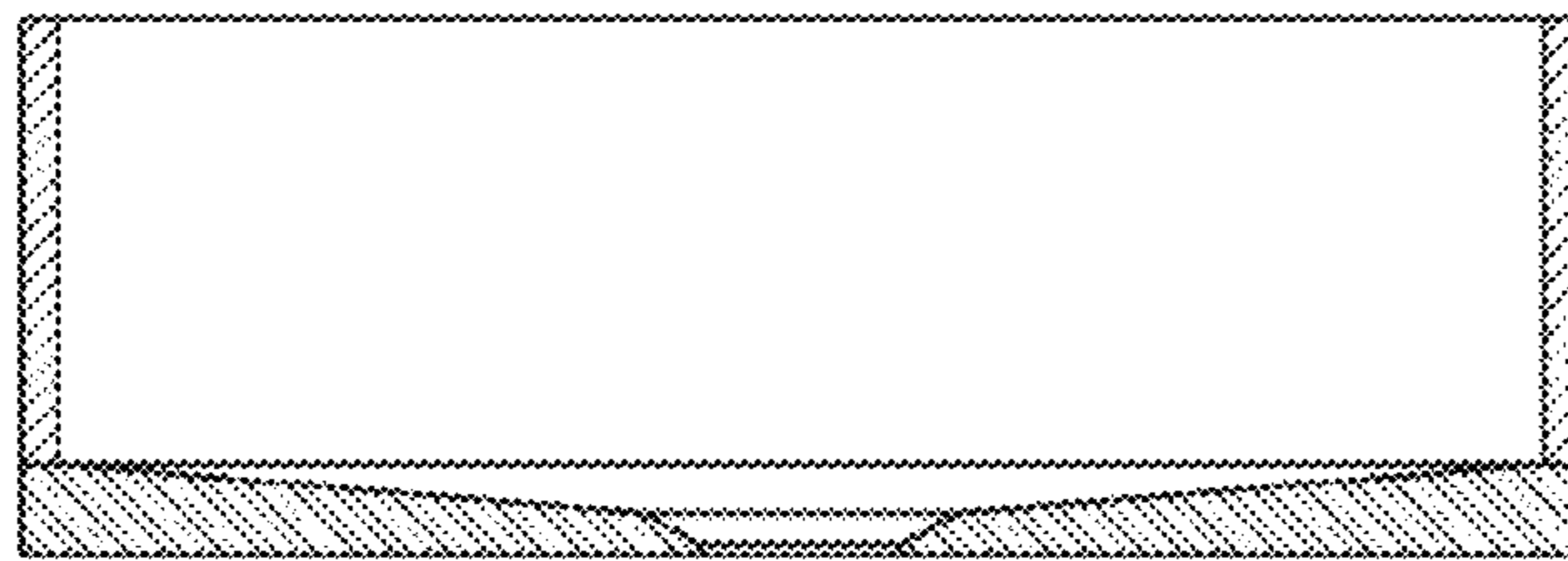


FIG. 7

A-A

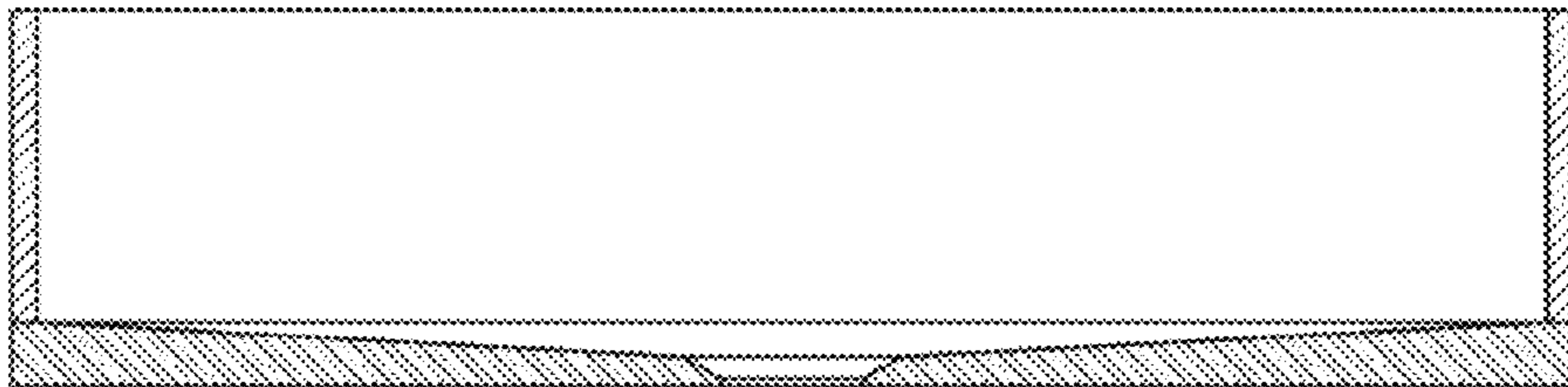


FIG. 8

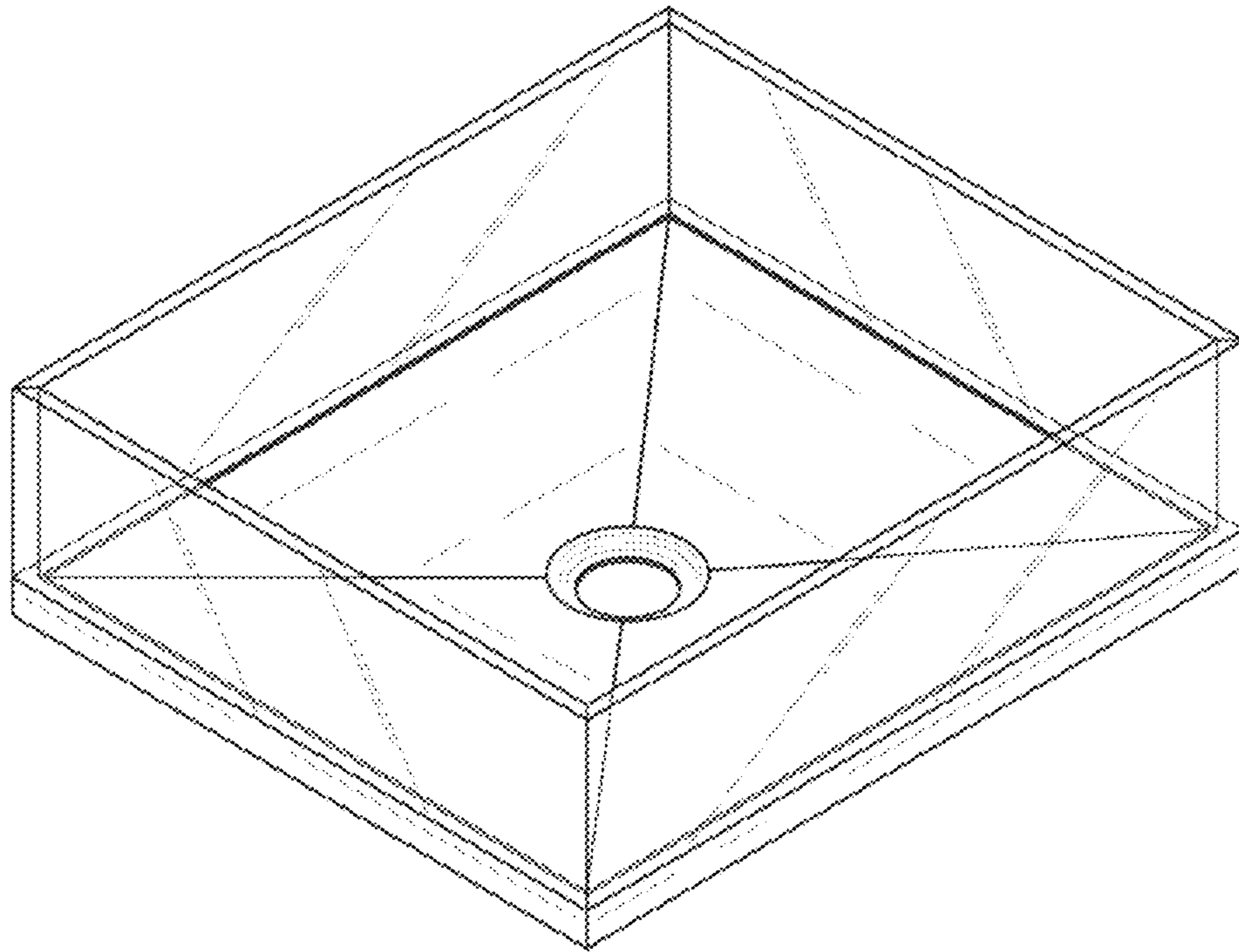


FIG. 9

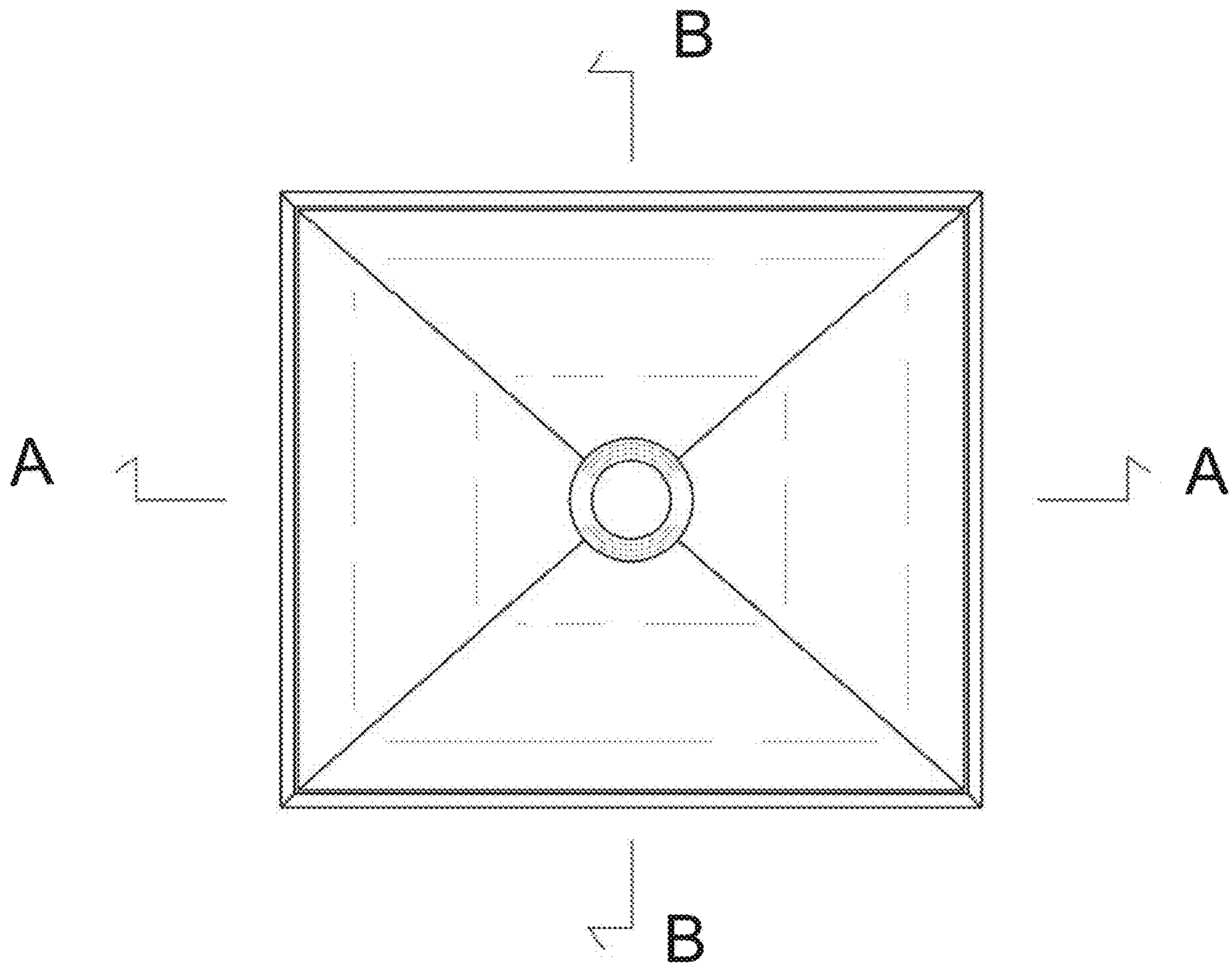


FIG. 10

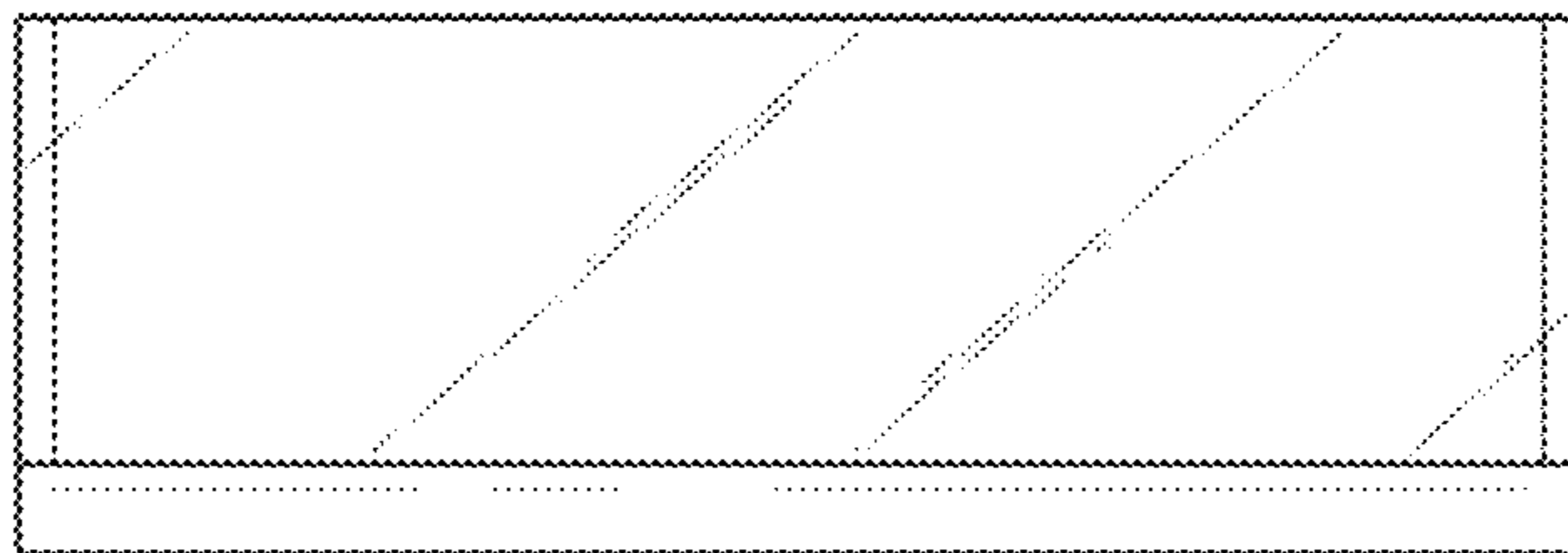


FIG. 11

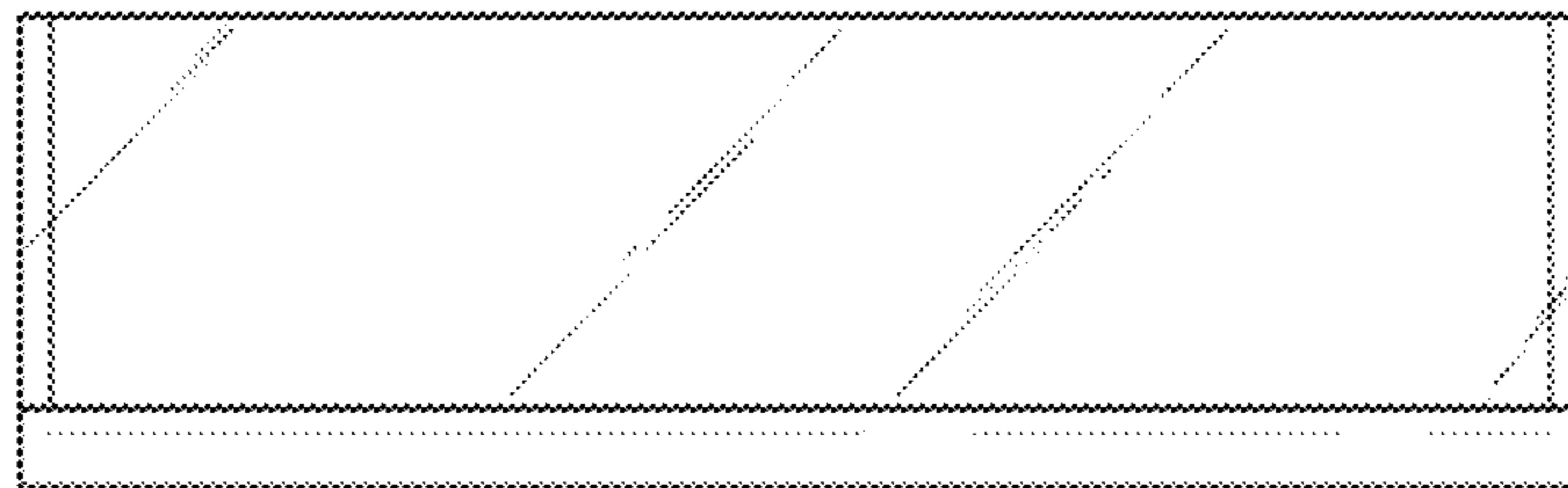


FIG. 12

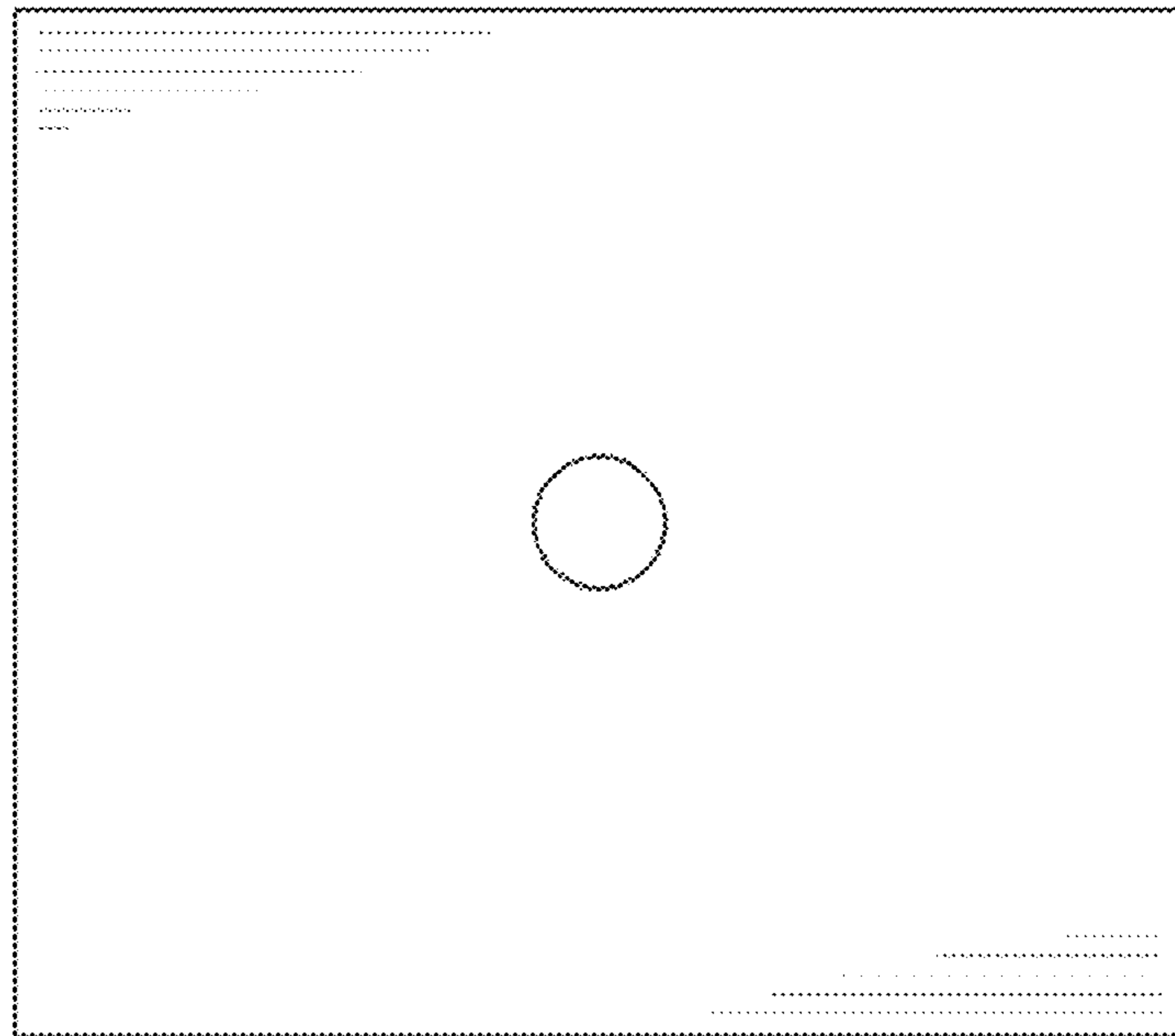


FIG. 13

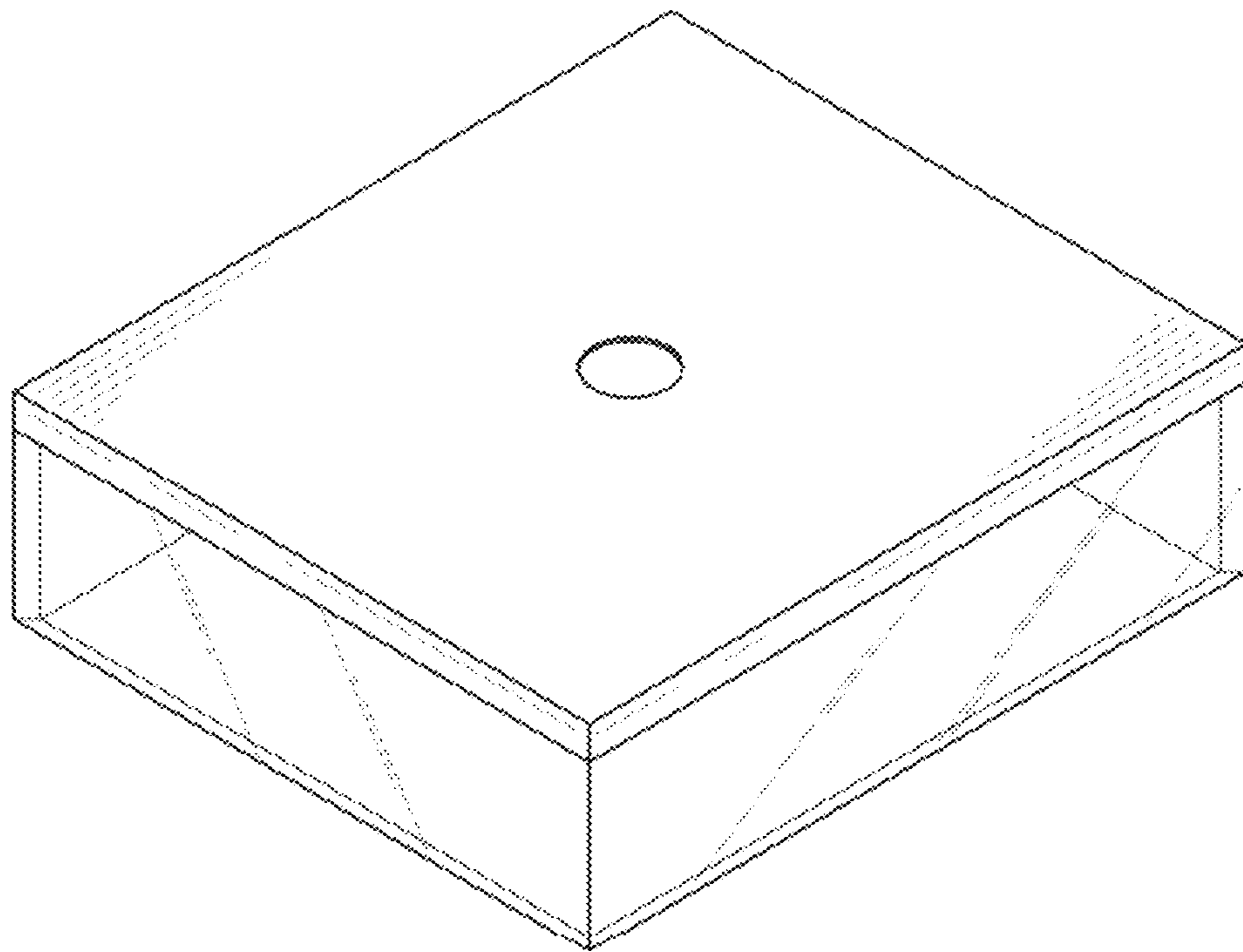


FIG. 14



B-B



FIG. 15

A-A

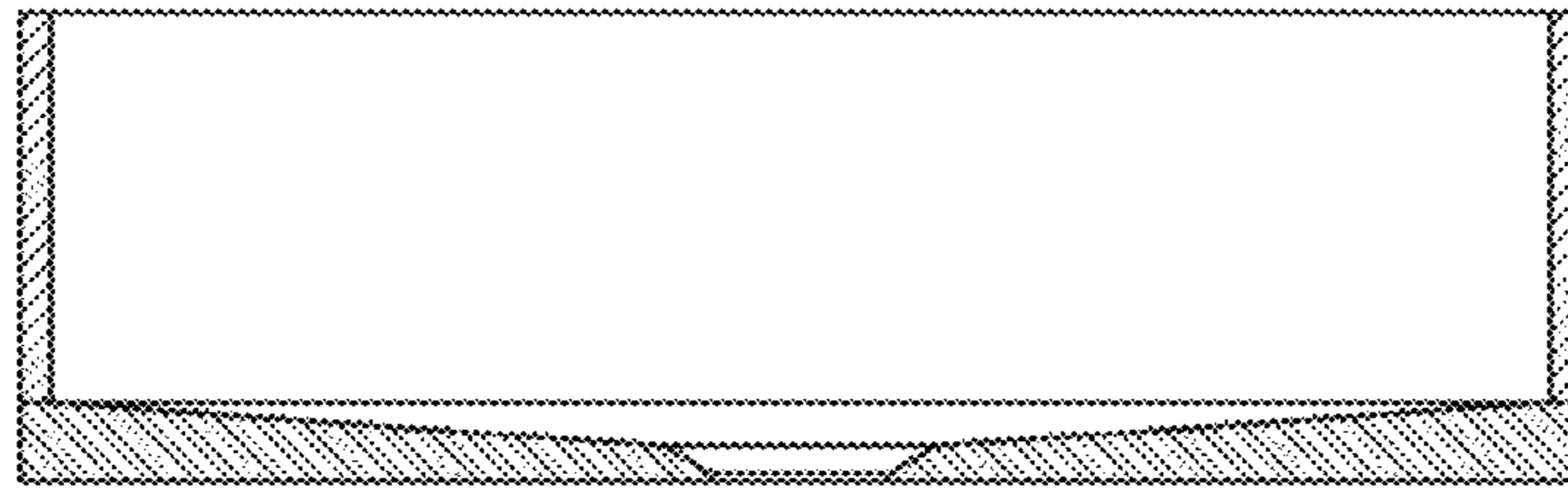


FIG. 16

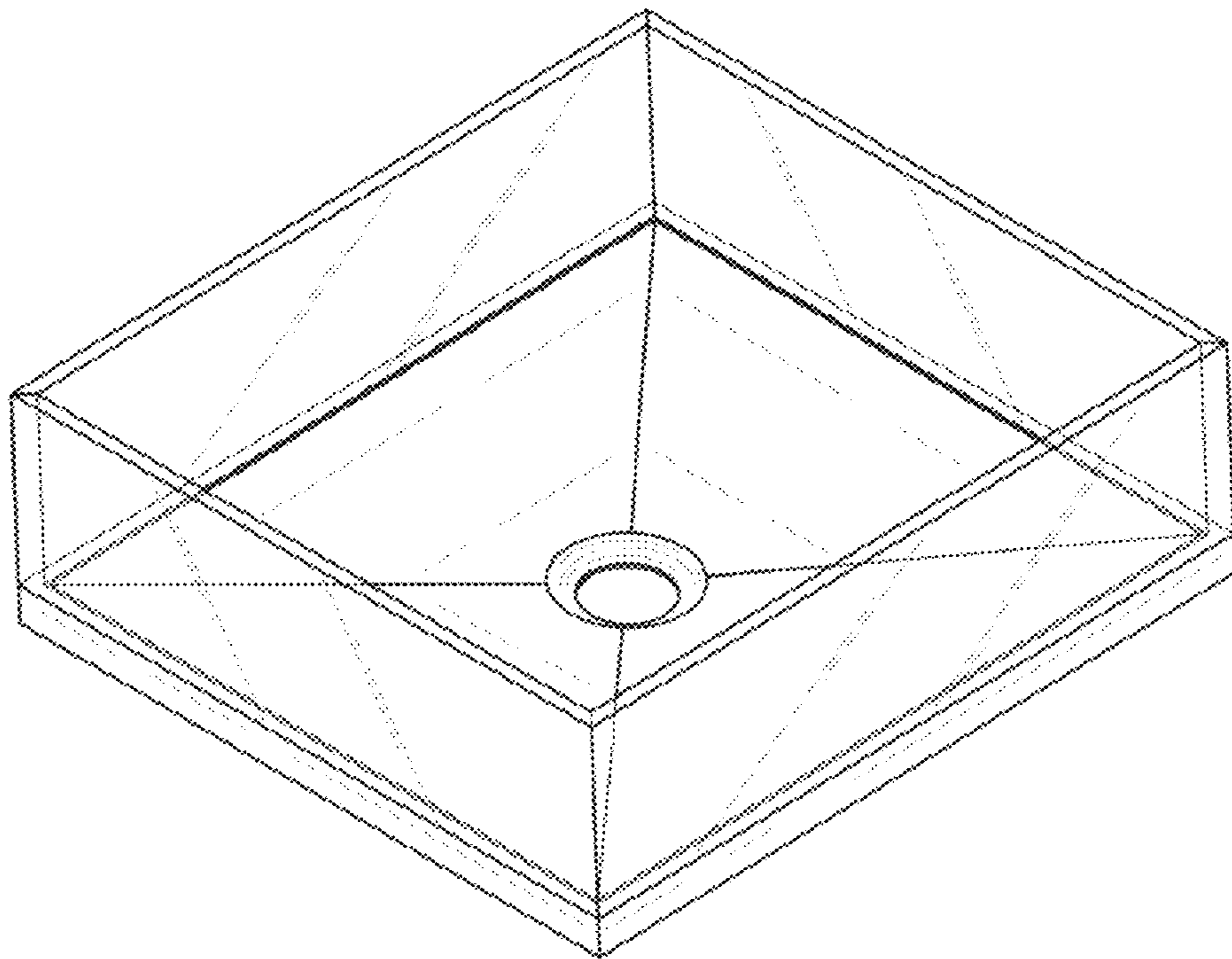


FIG. 17

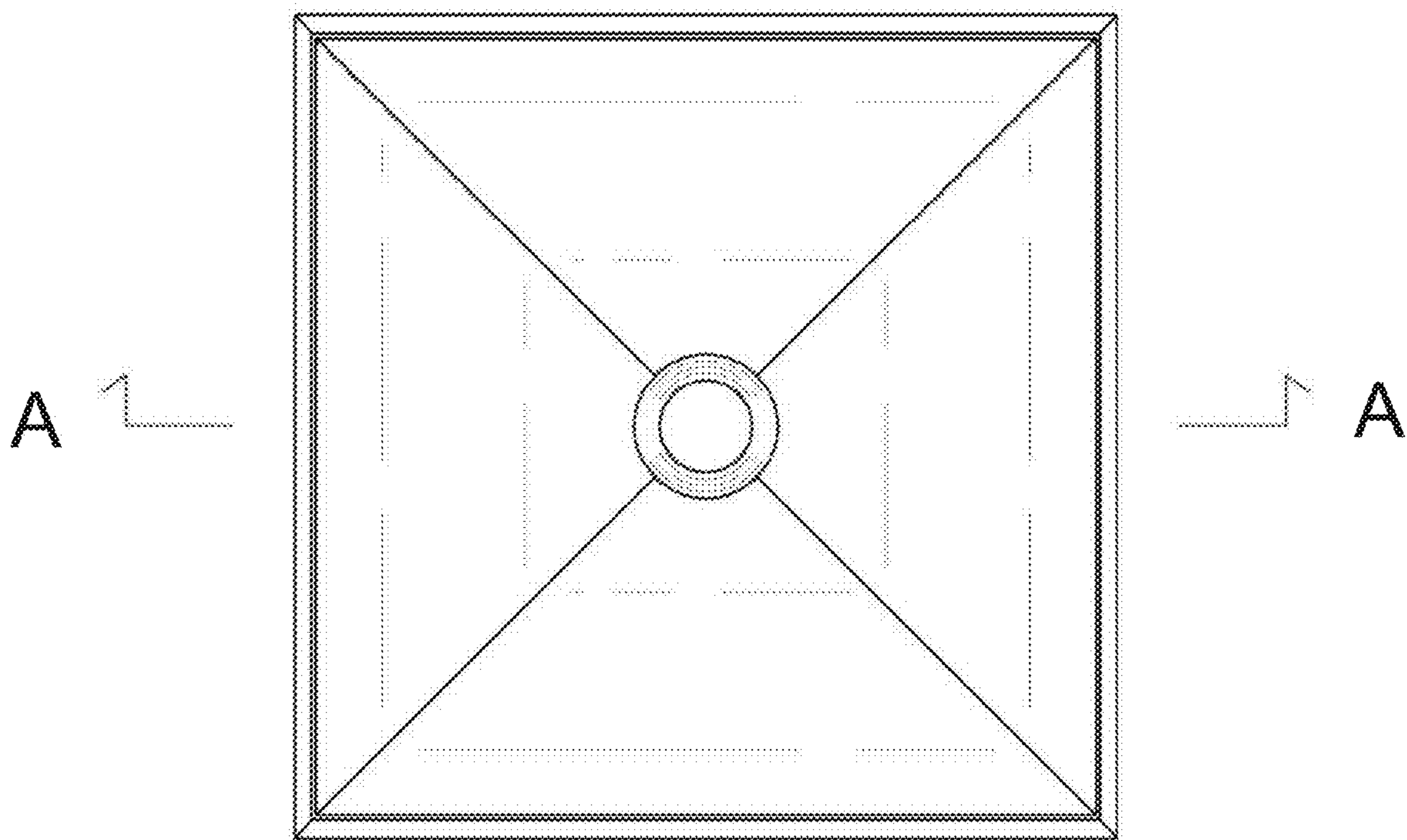


FIG. 18

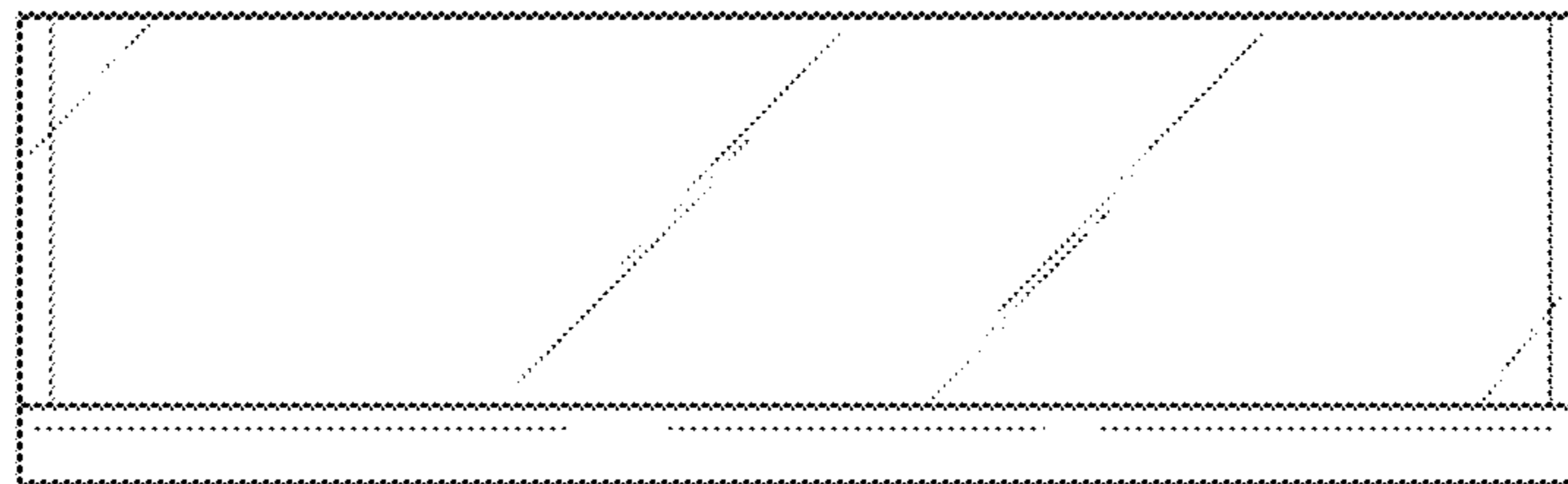


FIG. 19

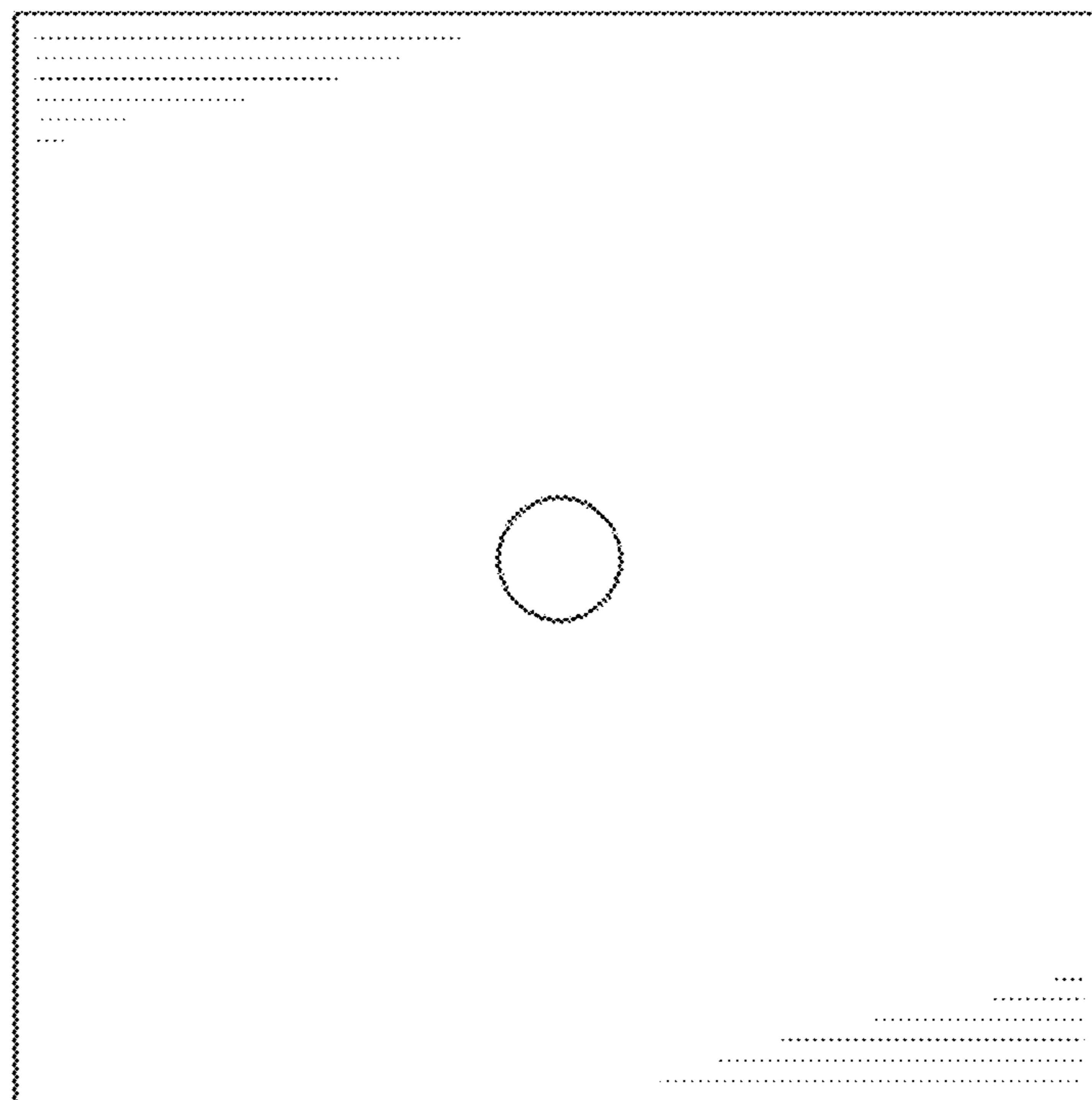


FIG. 20

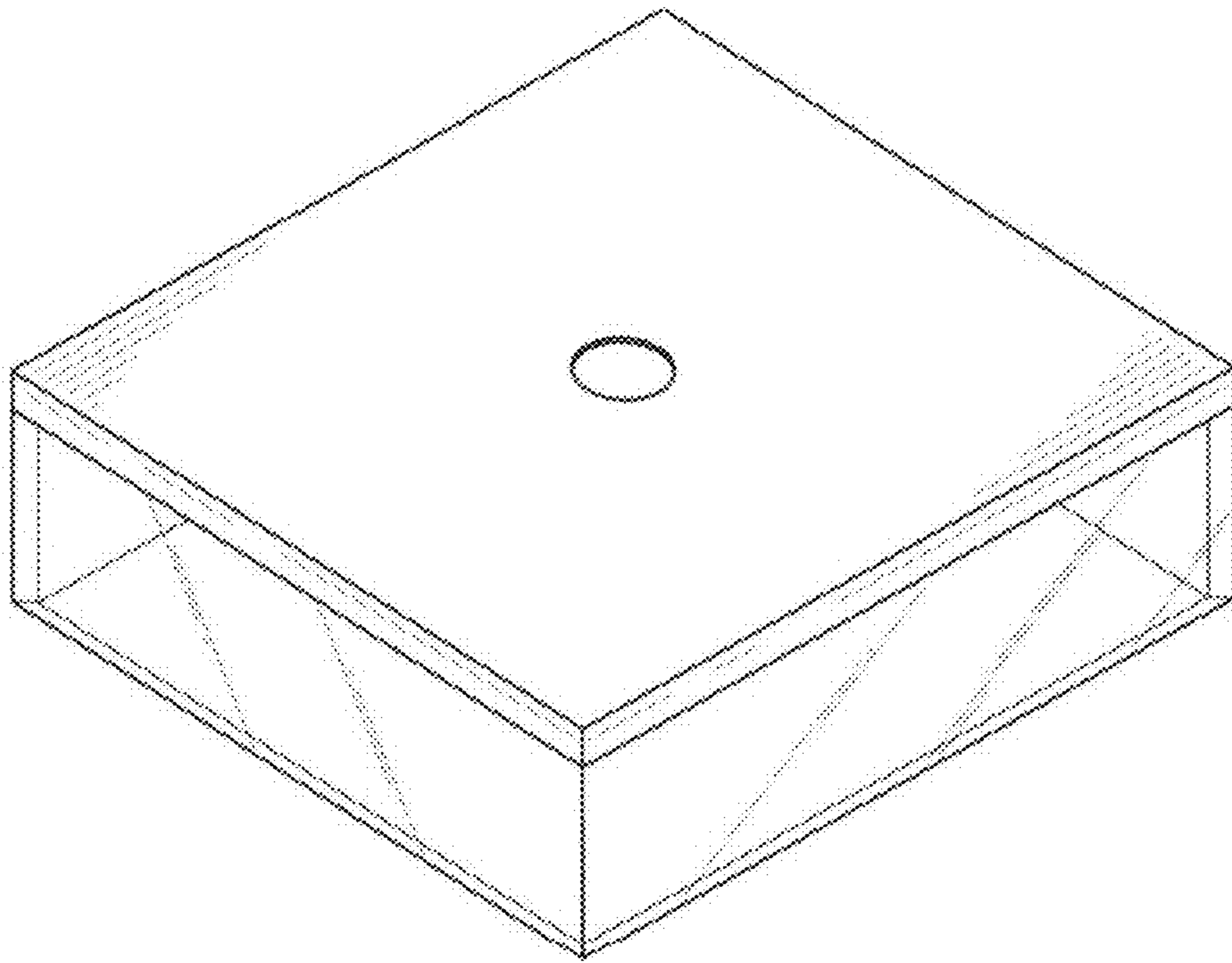


FIG. 21

A-A



FIG. 22



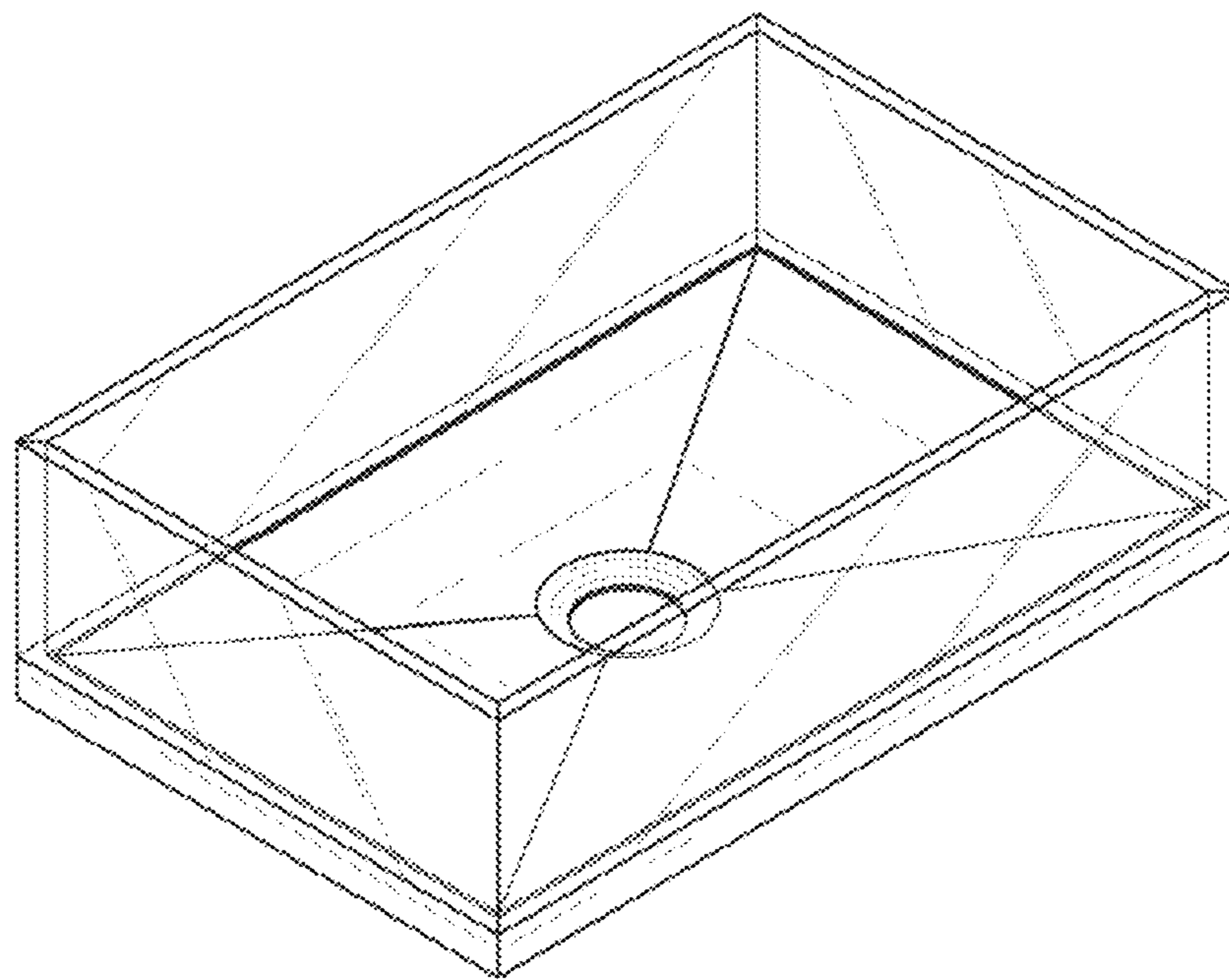


FIG. 23

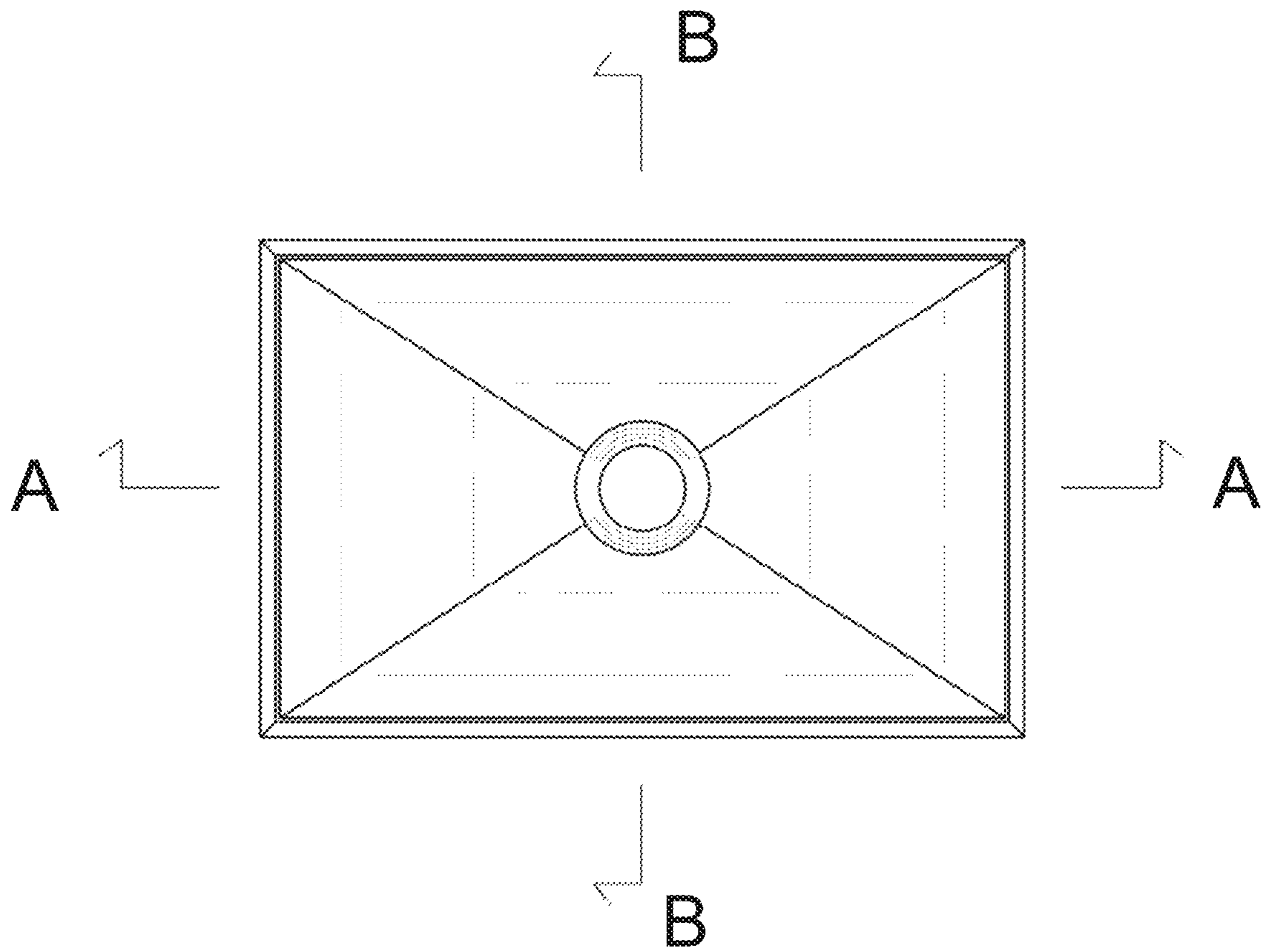


FIG. 24

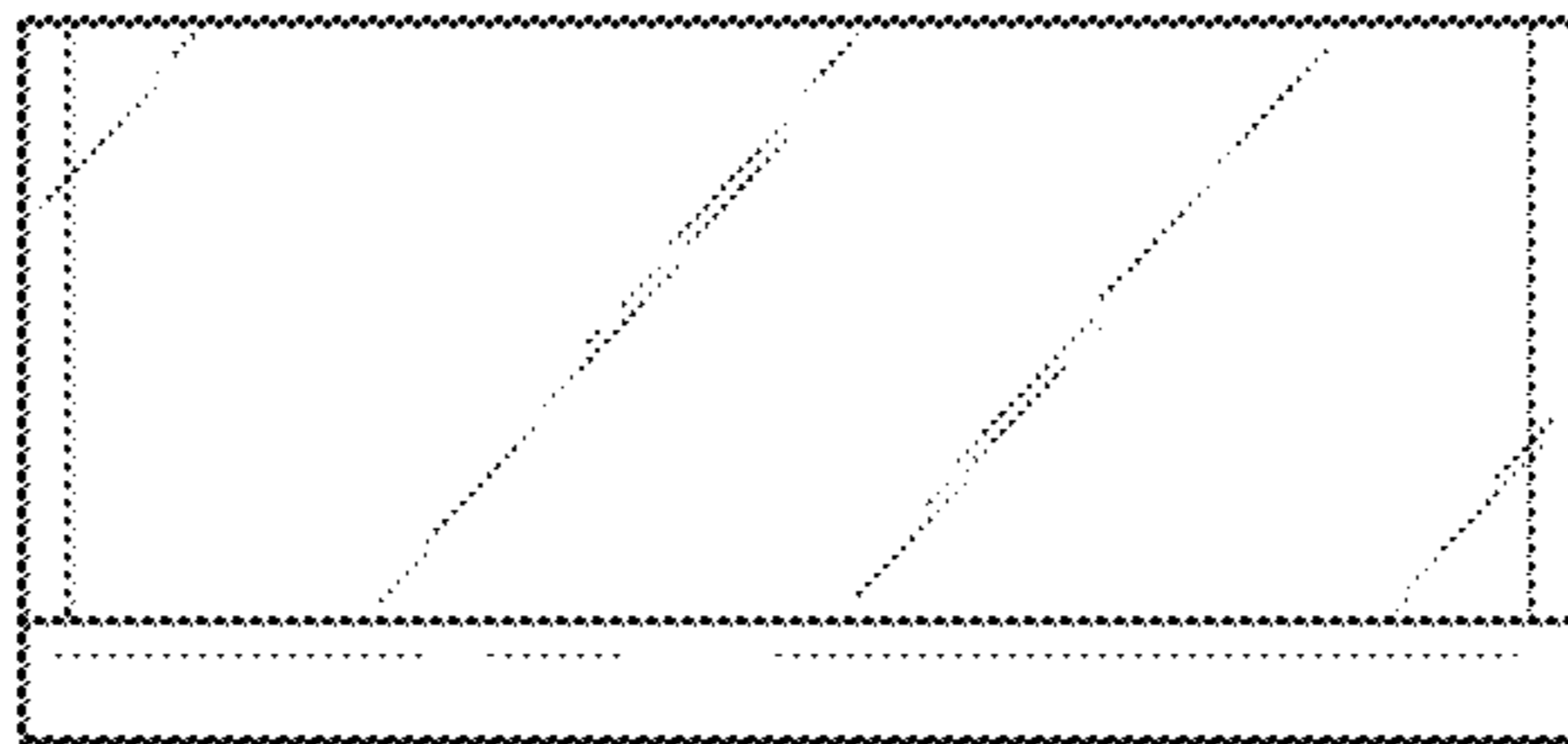


FIG. 25

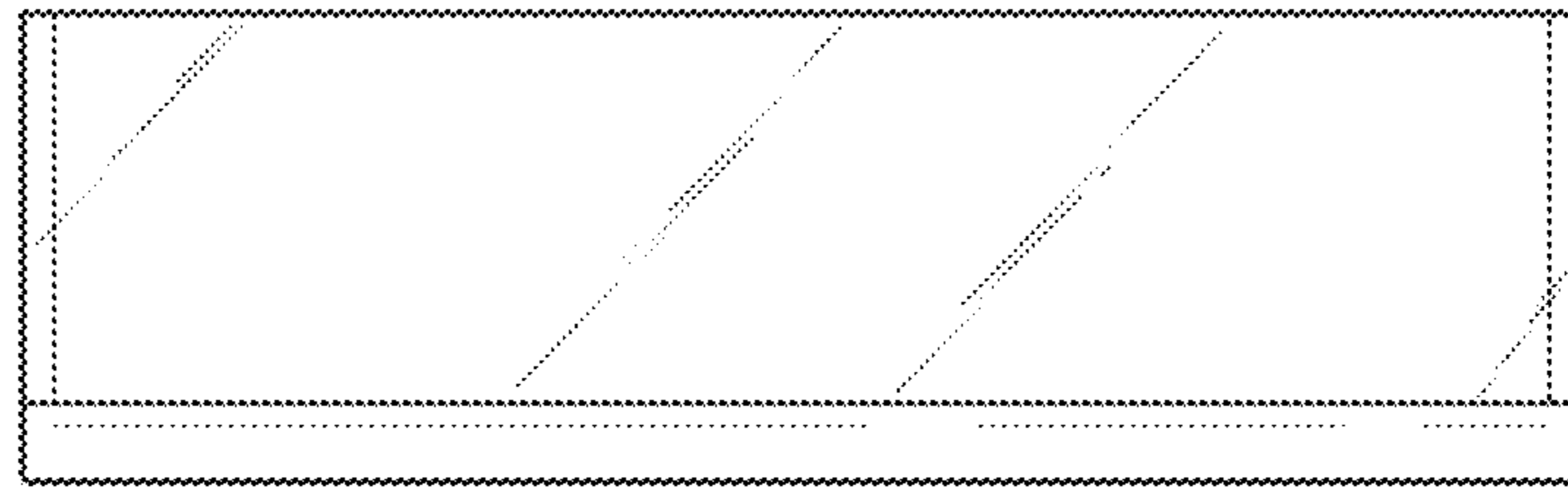


FIG. 26

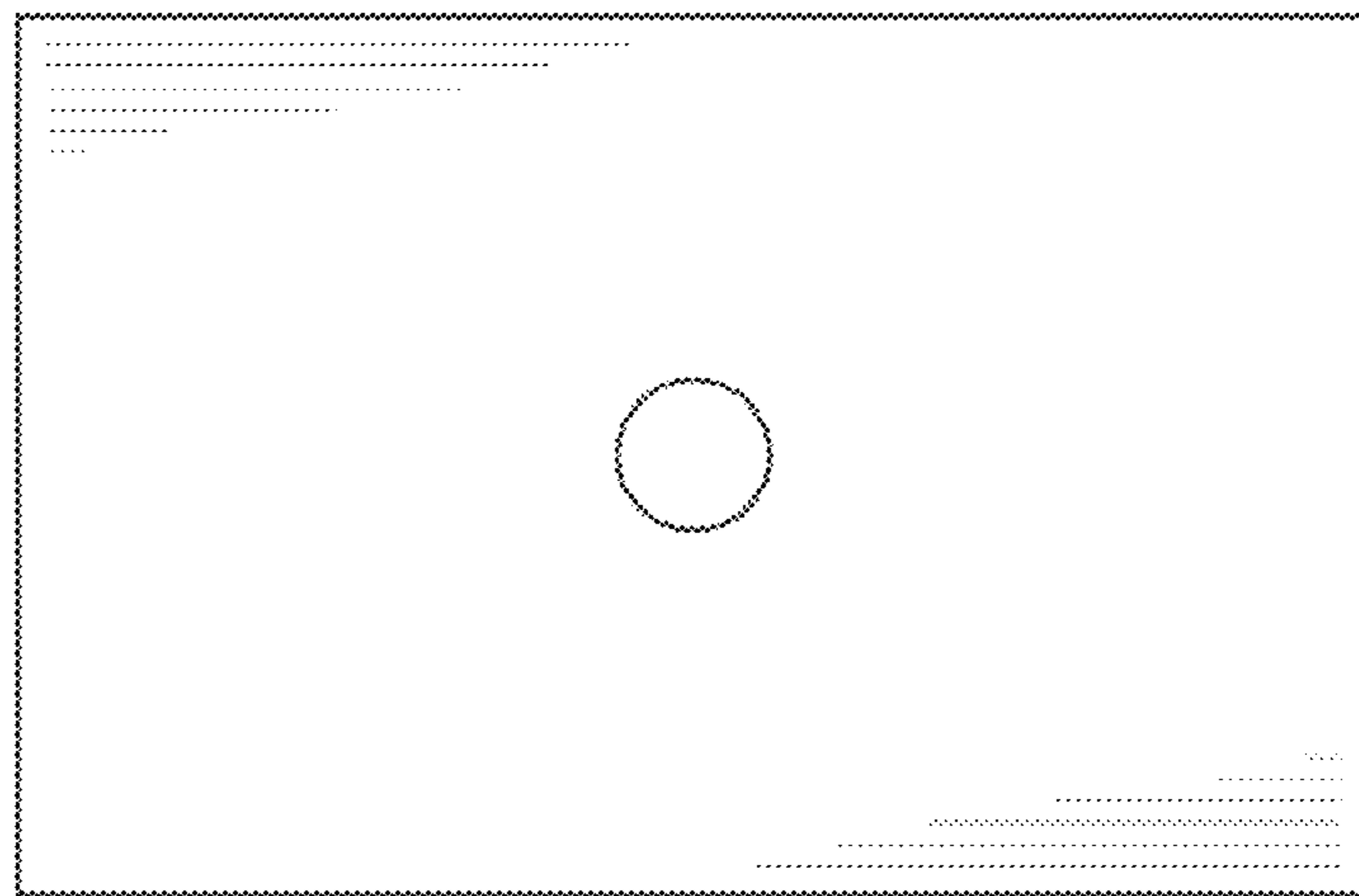


FIG. 27

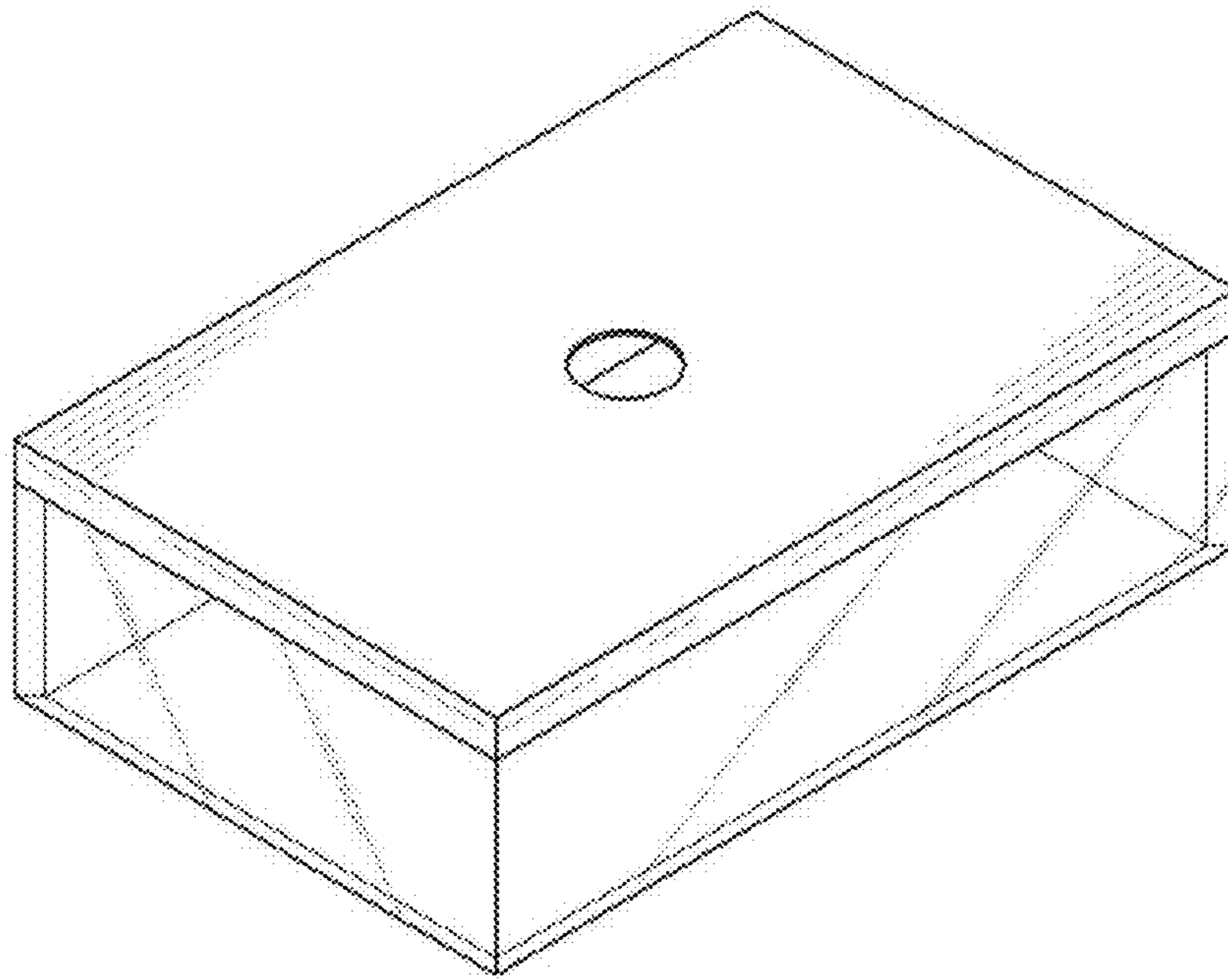


FIG. 28

B-B



FIG. 29

A-A

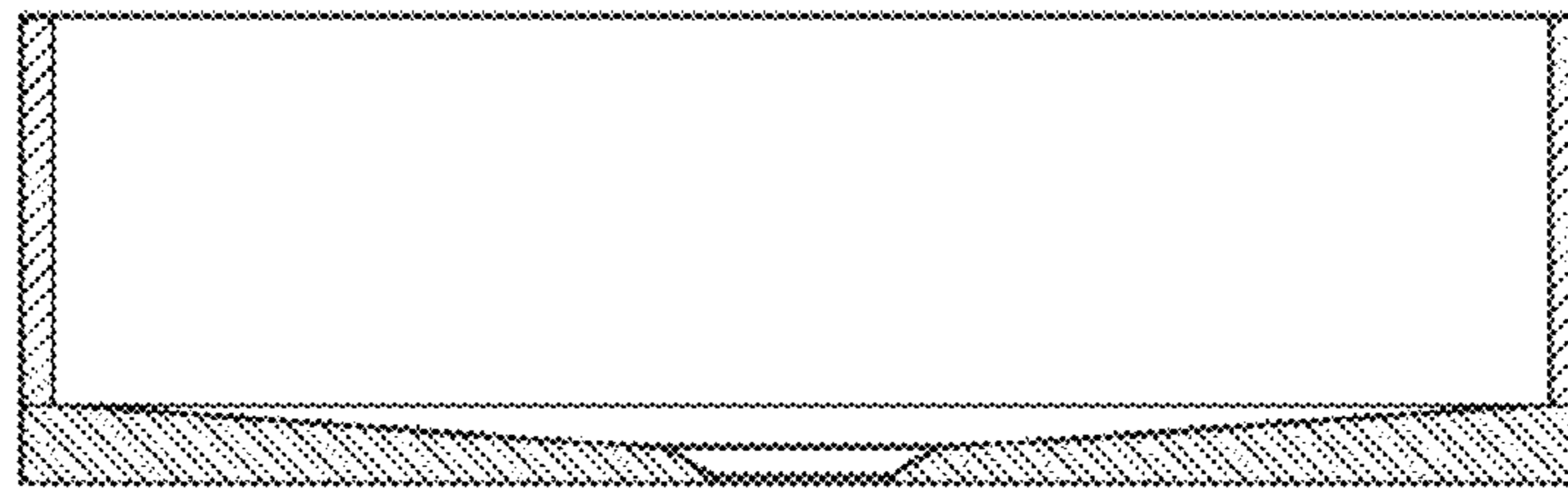


FIG. 30



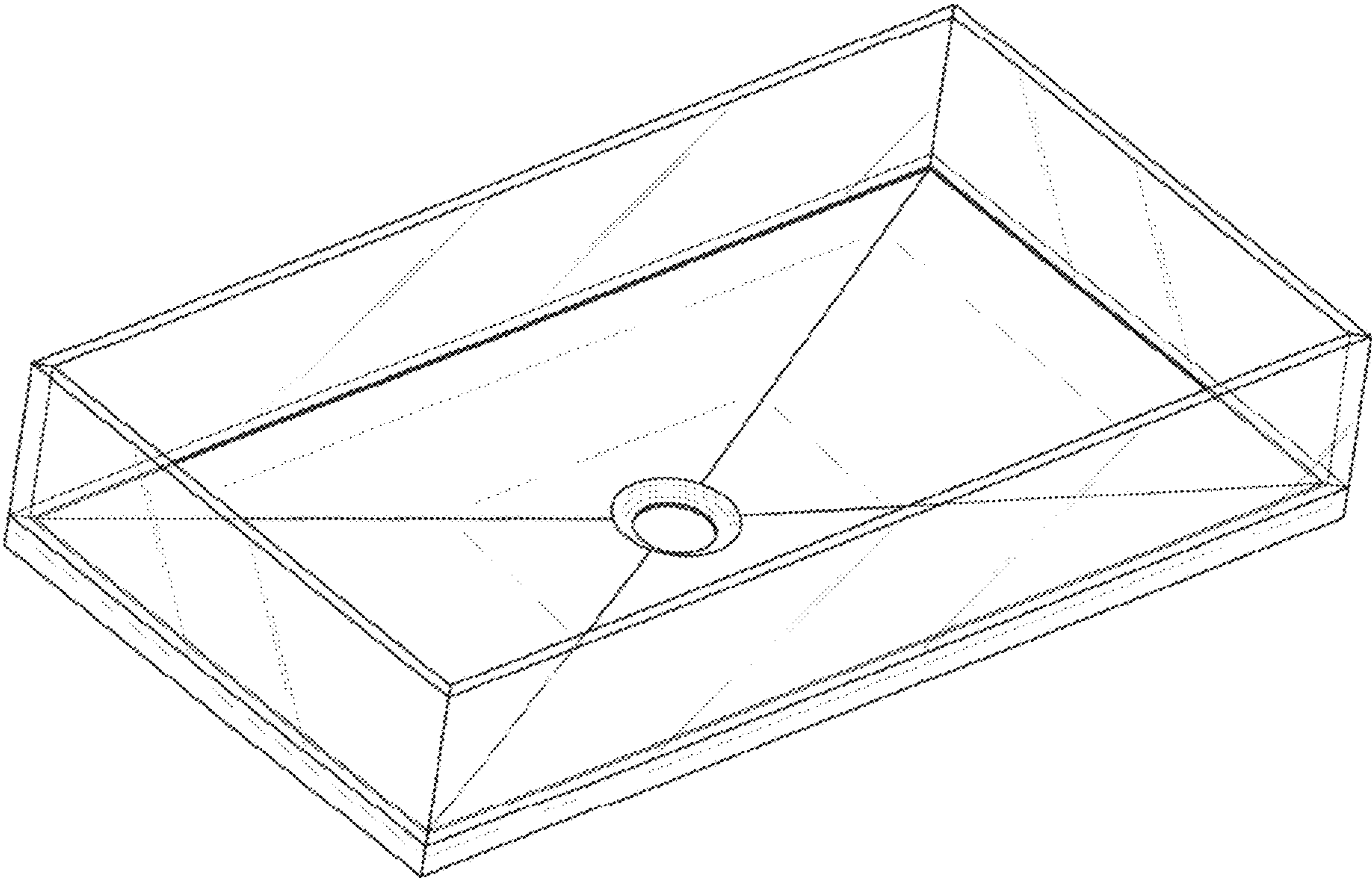


FIG. 31

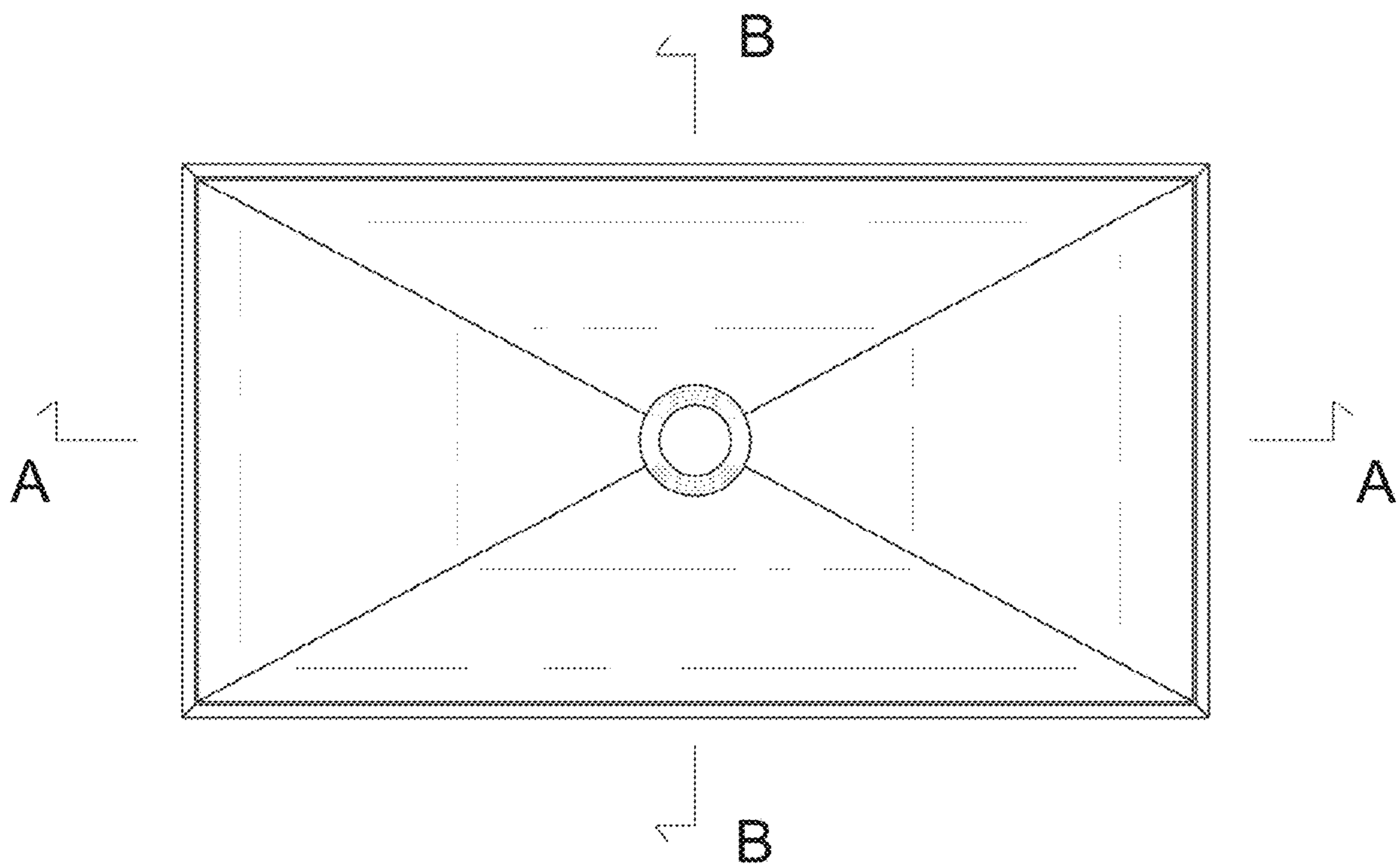


FIG. 32

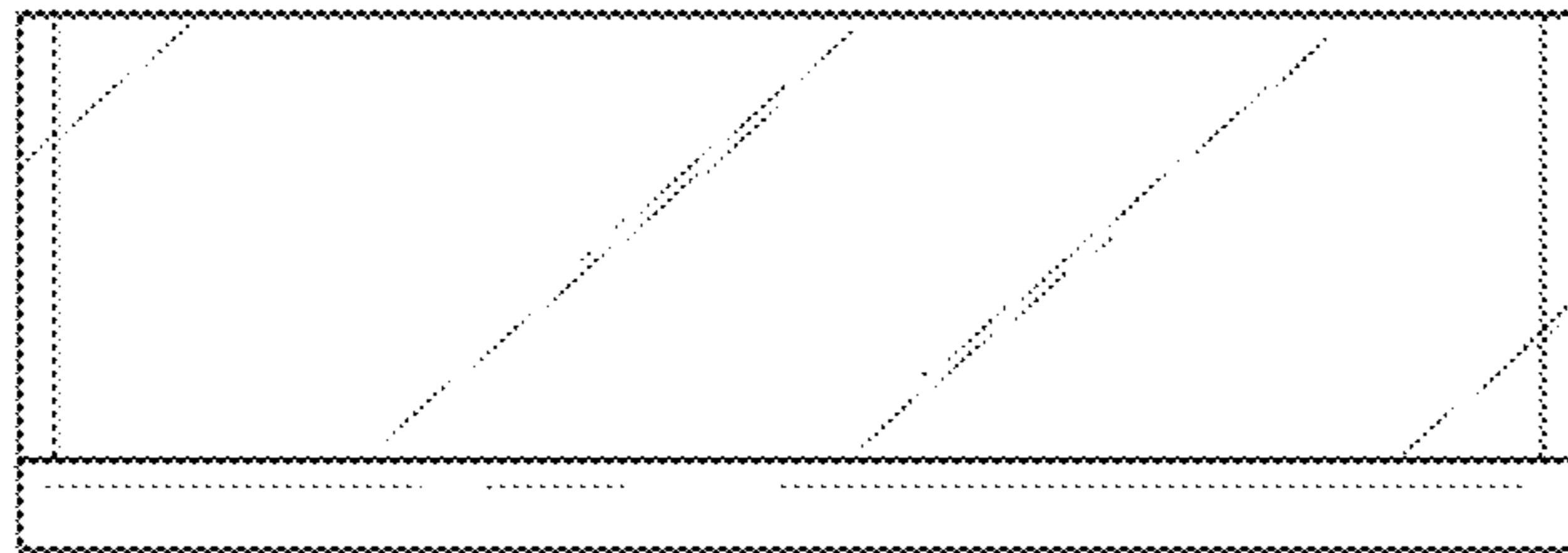


FIG. 33

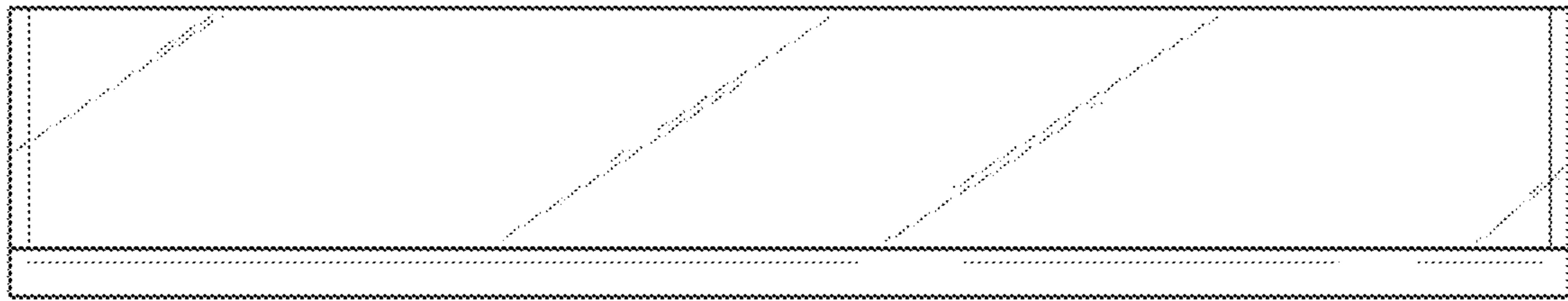


FIG. 34

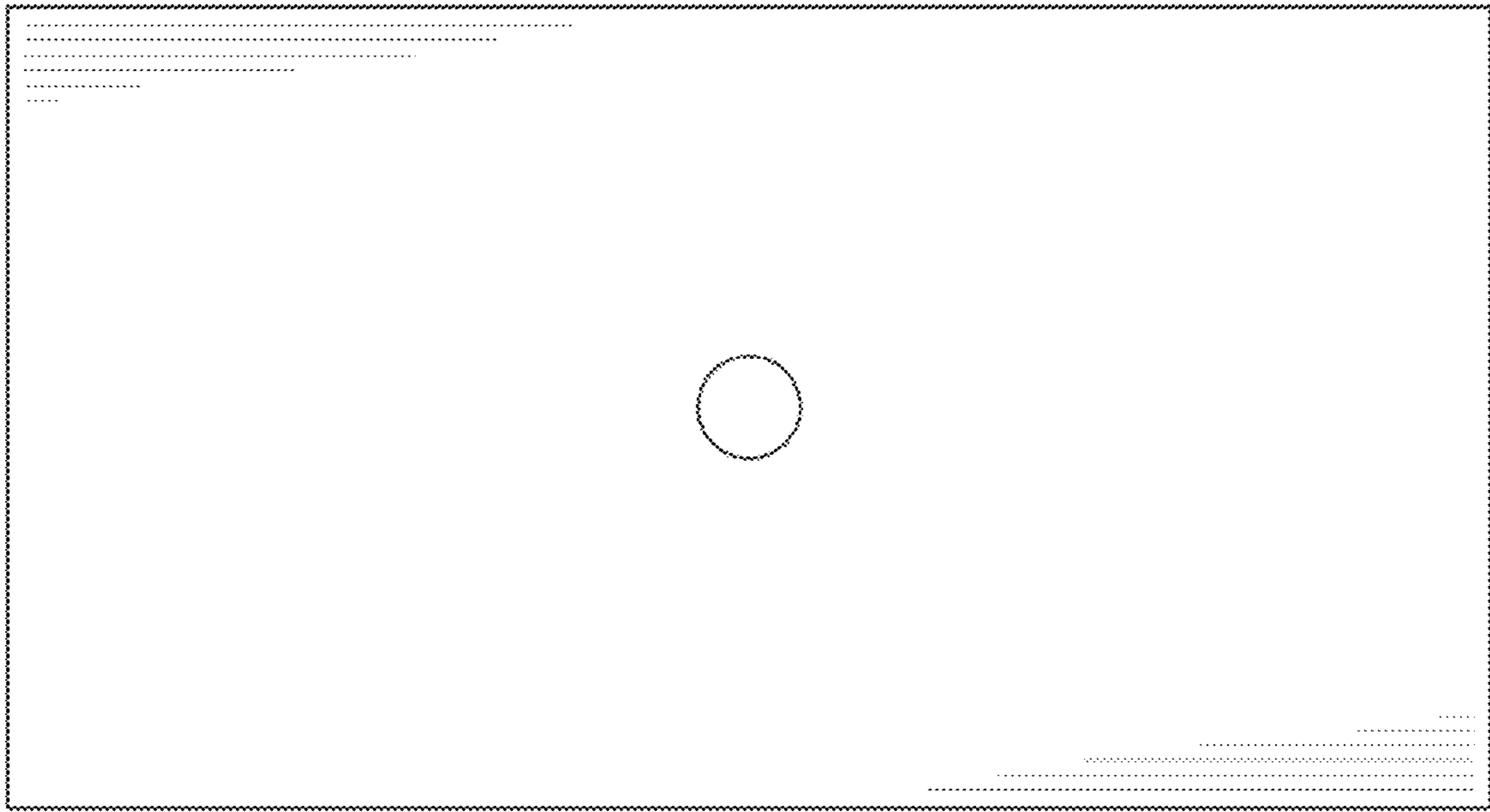


FIG. 35

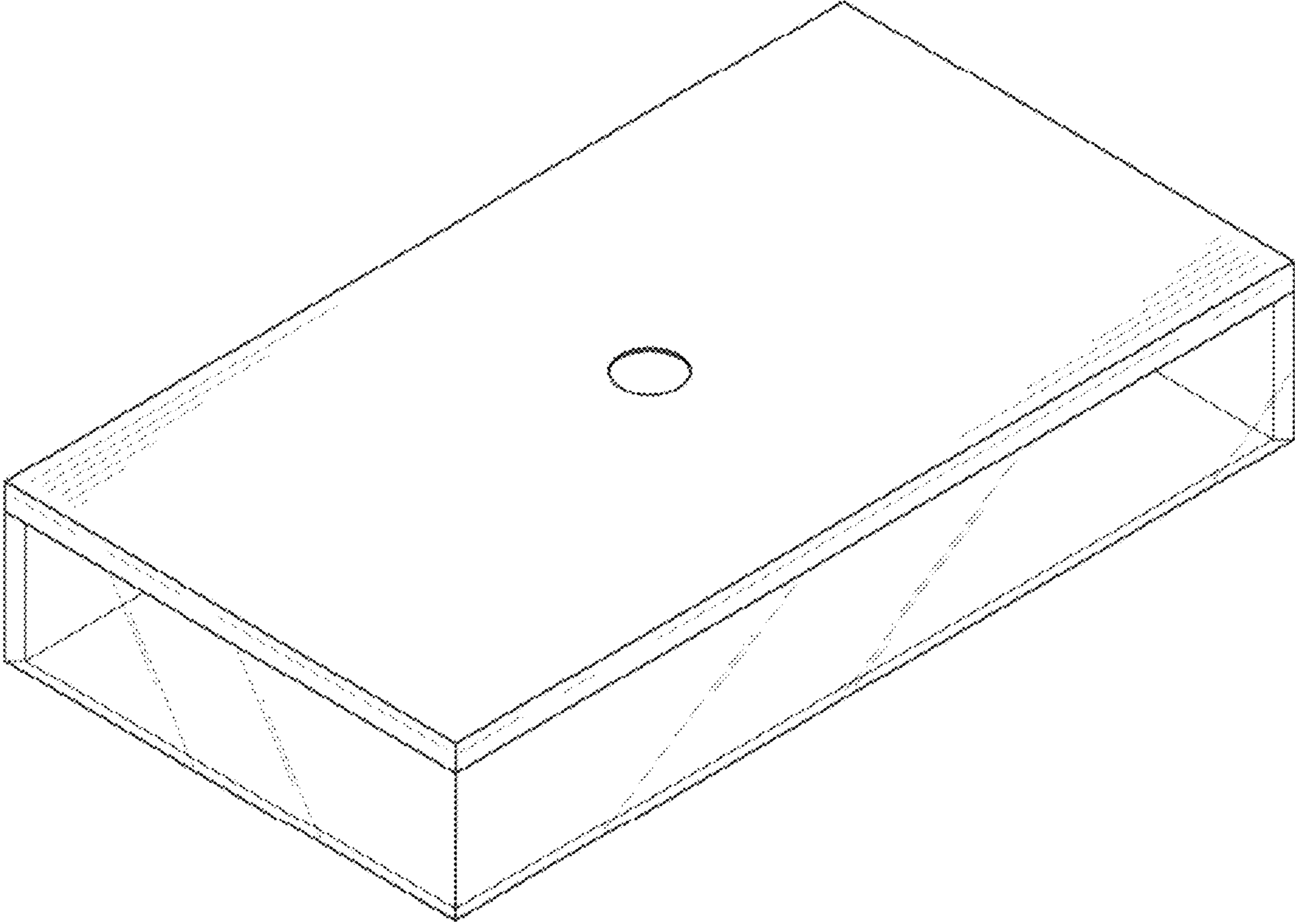


FIG. 36

B-B

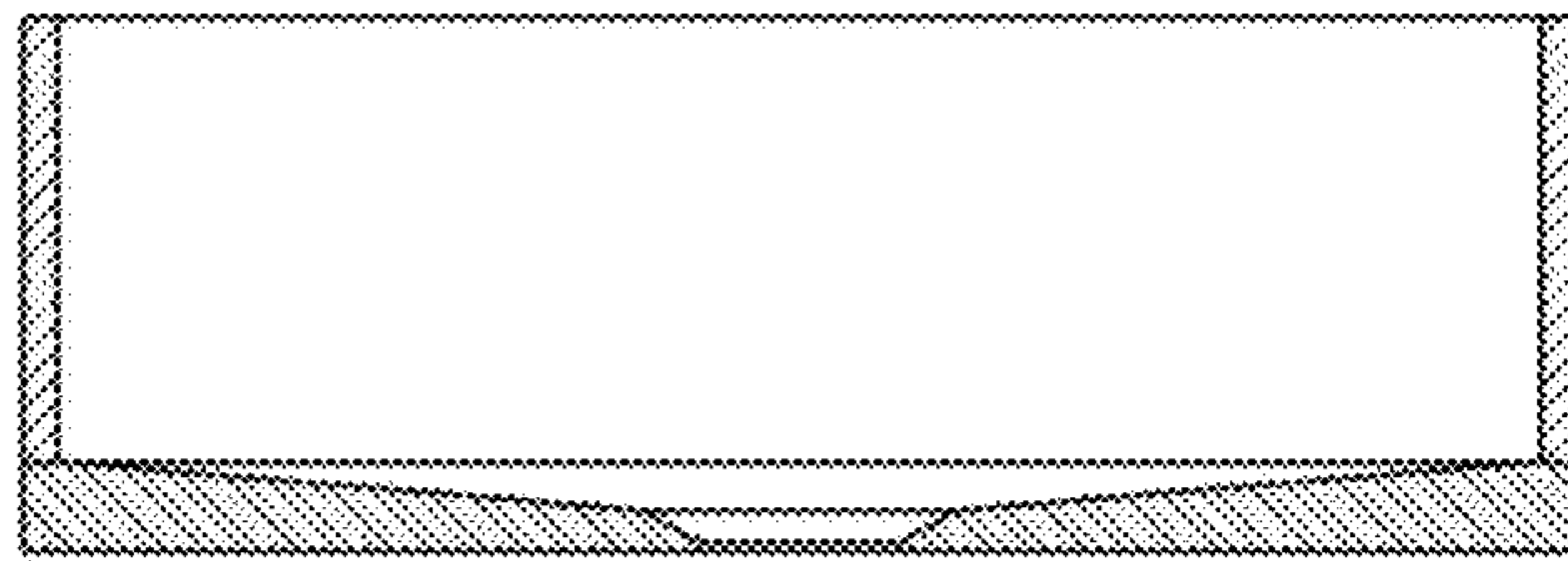


FIG. 37

A-A

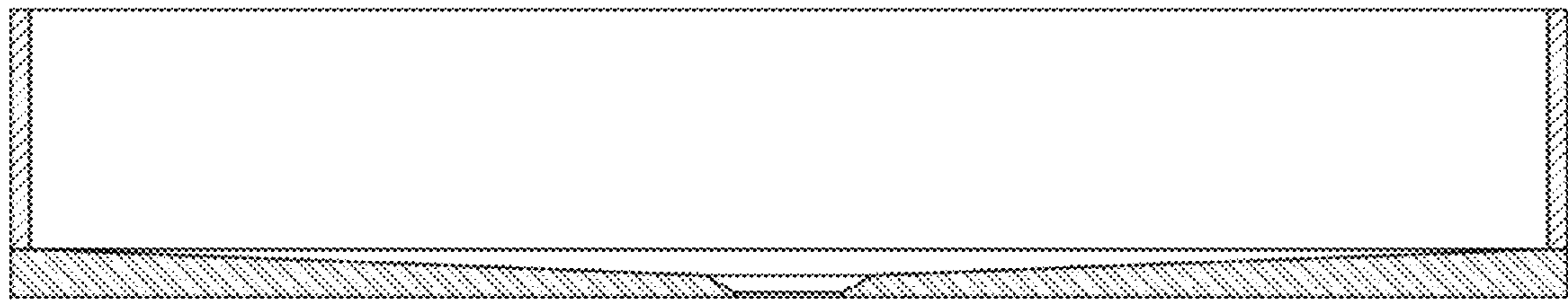


FIG. 38