



US00D882046S

(12) **United States Design Patent** (10) **Patent No.:** **US D882,046 S**
Schreiber et al. (45) **Date of Patent:** **** Apr. 21, 2020**

(54) **DOWNSPOUT GRATE** 4,472,274 A * 9/1984 Williams B01D 29/01
210/163

(71) Applicant: **National Diversified Sales, Inc.,** D288,230 S 2/1987 Thatcher
Fresno, CA (US) D288,840 S 3/1987 Williams
D354,552 S 1/1995 Weber
D397,431 S * 8/1998 Meyer D23/371

(72) Inventors: **Michael Schreiber**, York, PA (US); 6,706,172 B2 3/2004 Strawser
Daniel Nourian, Reedley, CA (US); 6,908,549 B2 6/2005 Middleton et al.
David Rusch, Springville, CA (US); 7,160,048 B1 1/2007 Fattori et al.
Ryan Larsen, Visalia, CA (US); **Taylor** 7,300,573 B1 11/2007 Trangsrud
Bates, Visalia, CA (US) D589,127 S 3/2009 Cornwall
7,611,304 B2 11/2009 Lill et al.
(Continued)

(73) Assignee: **National Diversified Sales, Inc.,**
Fresno, CA (US)

(**) Term: **15 Years**

(21) Appl. No.: **29/668,474**

(22) Filed: **Oct. 30, 2018**

(51) **LOC (12) Cl.** **23-01**

(52) **U.S. Cl.**
USPC **D23/267**; D23/259

(58) **Field of Classification Search**
USPC D23/259–261, 267–268, 393; D25/119,
D25/121–124, 133, 139, 141–143;
52/11–16, 302.1, 302.6; 210/163;
317/360, 362–363; 404/2, 4–5
CPC E02D 31/00
See application file for complete search history.

(56) **References Cited**

U.S. PATENT DOCUMENTS

D35,535 S * 12/1901 Kurz D23/261
1,076,075 A * 10/1913 Steele B01D 35/02
210/447
2,419,501 A * 4/1947 Pinto E04D 13/08
210/316
2,494,780 A * 1/1950 Schmidt E04D 13/08
210/357
3,956,133 A * 5/1976 Arnold B01D 35/00
210/232

OTHER PUBLICATIONS

NDS Downspout Defender; YouTube Video Frame 0:08/1:28; Publish Date May 23, 2018; Visited Online Dec. 16, 2019; https://www.youtube.com/watch?v=0W4JYjzhdso&feature=emb_logo (Year: 2018).*

(Continued)

Primary Examiner — Amy C Wierenga
(74) *Attorney, Agent, or Firm* — David J. Pitman;
Fulwider Patton LLP

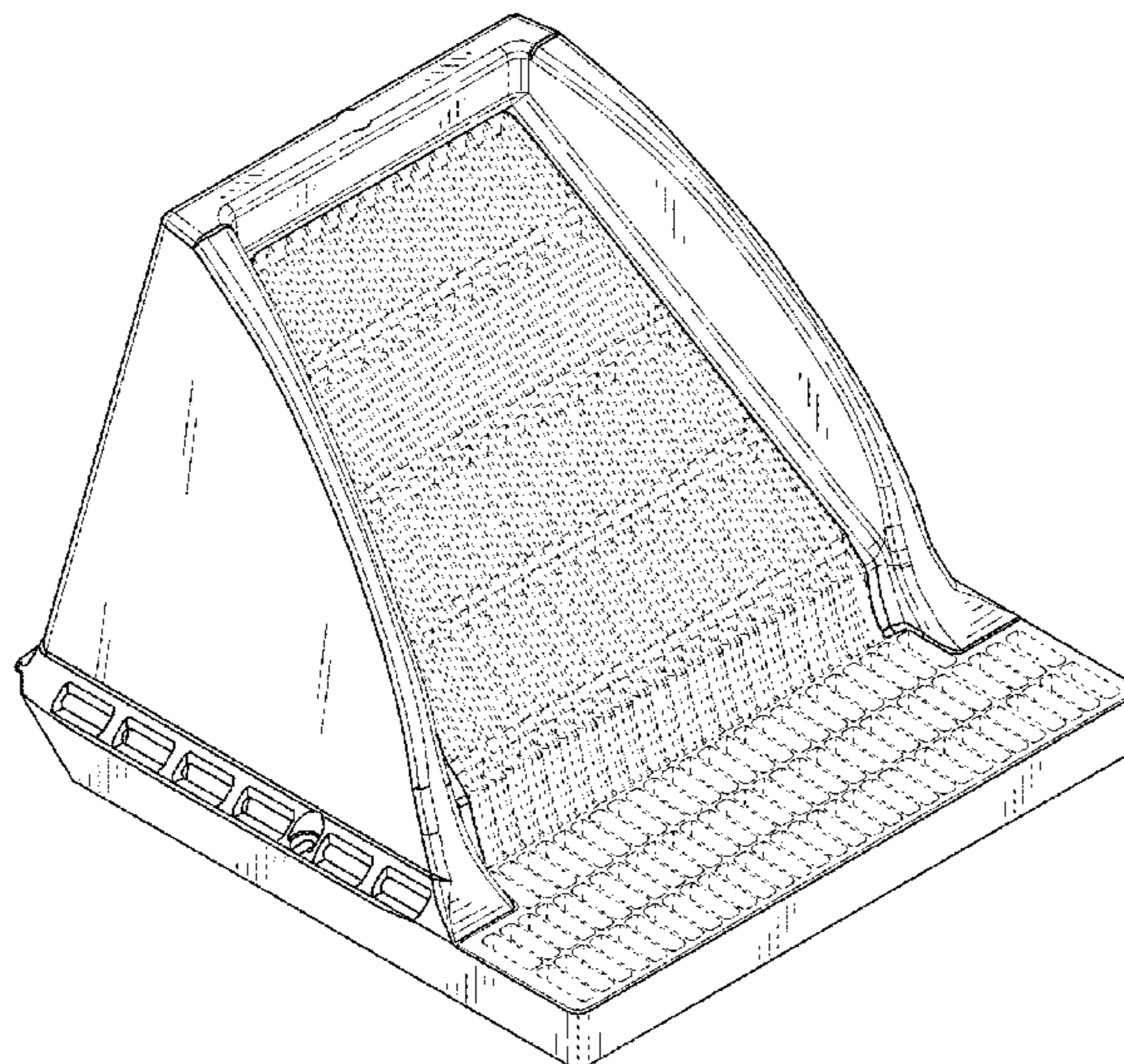
(57) **CLAIM**

The ornamental design for a downspout grate, as shown and described.

DESCRIPTION

FIG. 1 is a perspective view of a downspout grate, showing our new design;
FIG. 2 is a top view thereof;
FIG. 3 is a front view thereof;
FIG. 4 is a left-side view thereof;
FIG. 5 is a right-side view thereof;
FIG. 6 is a back side view thereof; and,
FIG. 7 is a bottom view thereof.
The broken lines shown in the drawings illustrate portions of the downspout grate that form no part of the claim.

1 Claim, 3 Drawing Sheets



(56)

References Cited

U.S. PATENT DOCUMENTS

D616,970 S 6/2010 Block
D618,316 S 6/2010 Lobban
8,097,151 B2 1/2012 Allan
8,404,110 B2 3/2013 Block
9,512,607 B2 12/2016 Braun et al.
D780,894 S * 3/2017 French D23/267
D786,411 S * 5/2017 Kerr D23/268
2004/0226869 A1 11/2004 McClure et al.
2018/0016792 A1 * 1/2018 Valdez A01M 29/30
2019/0194953 A1 * 6/2019 McNinch E04F 17/026

OTHER PUBLICATIONS

NDS Downspout Defender Catch Basin;https://www.amazon.com/NDS-Raindrip-1200DSG-Downspout-Defender/dp/B07DJZVNHL/ref=asc_df_B07DJZVNHL/?tag=hyprod-20&linkCode=df0&hvadid=241973991106&hvpos=1o1&hvnetw=g&hvrnd=16118528795207094523&hvpone=&hvptwo=& (Year: 2018).*

* cited by examiner

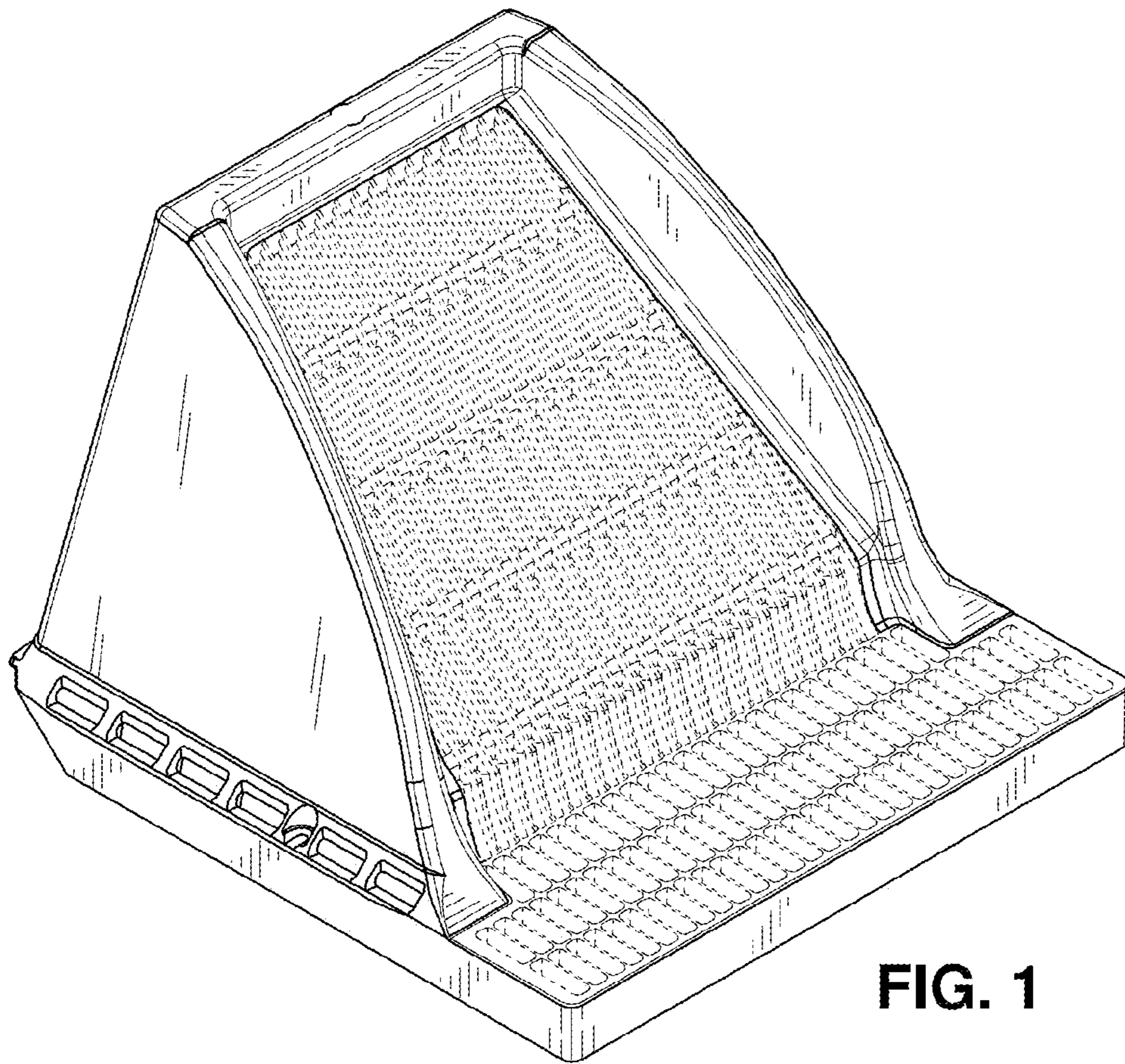


FIG. 1

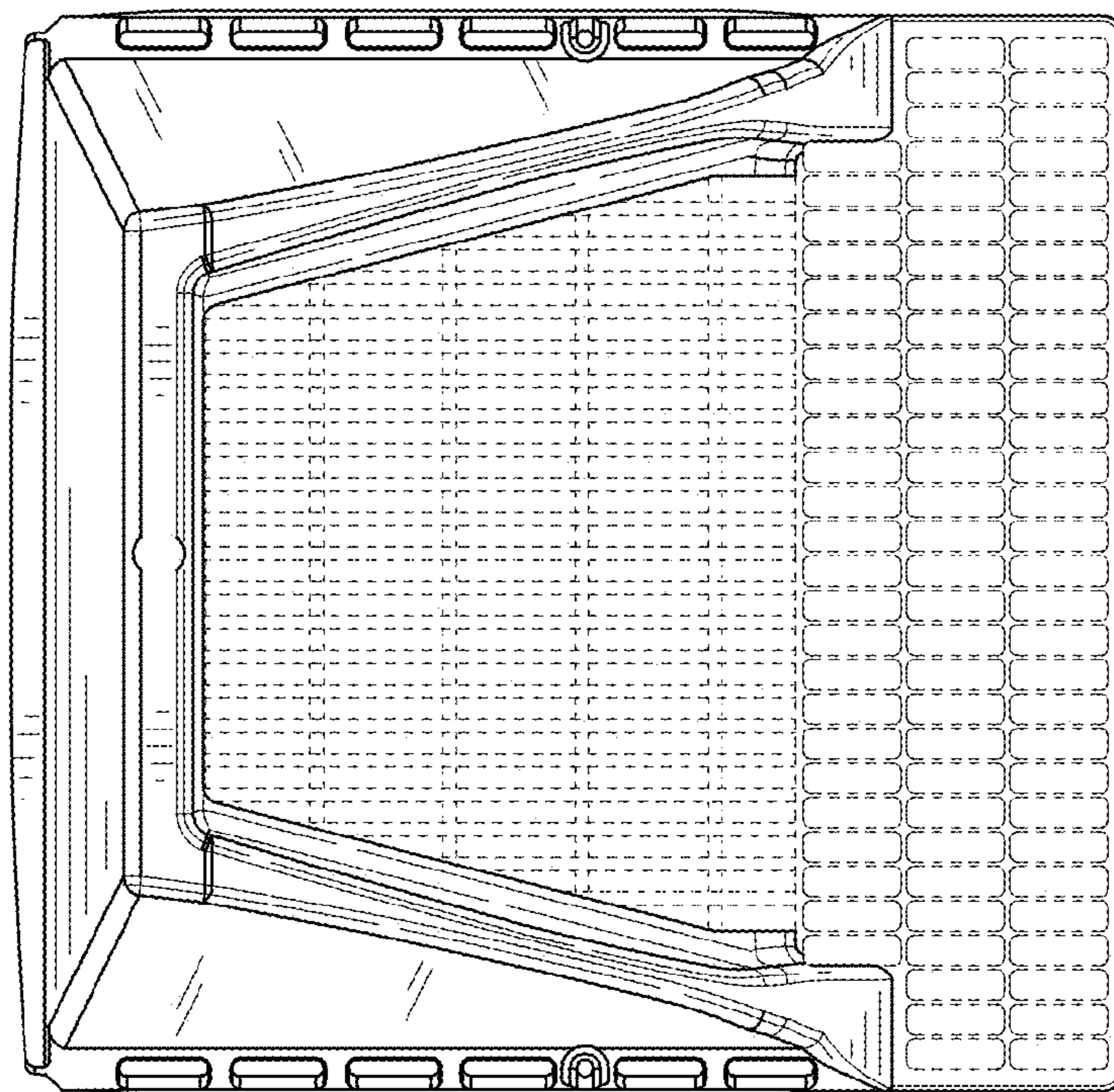


FIG. 2

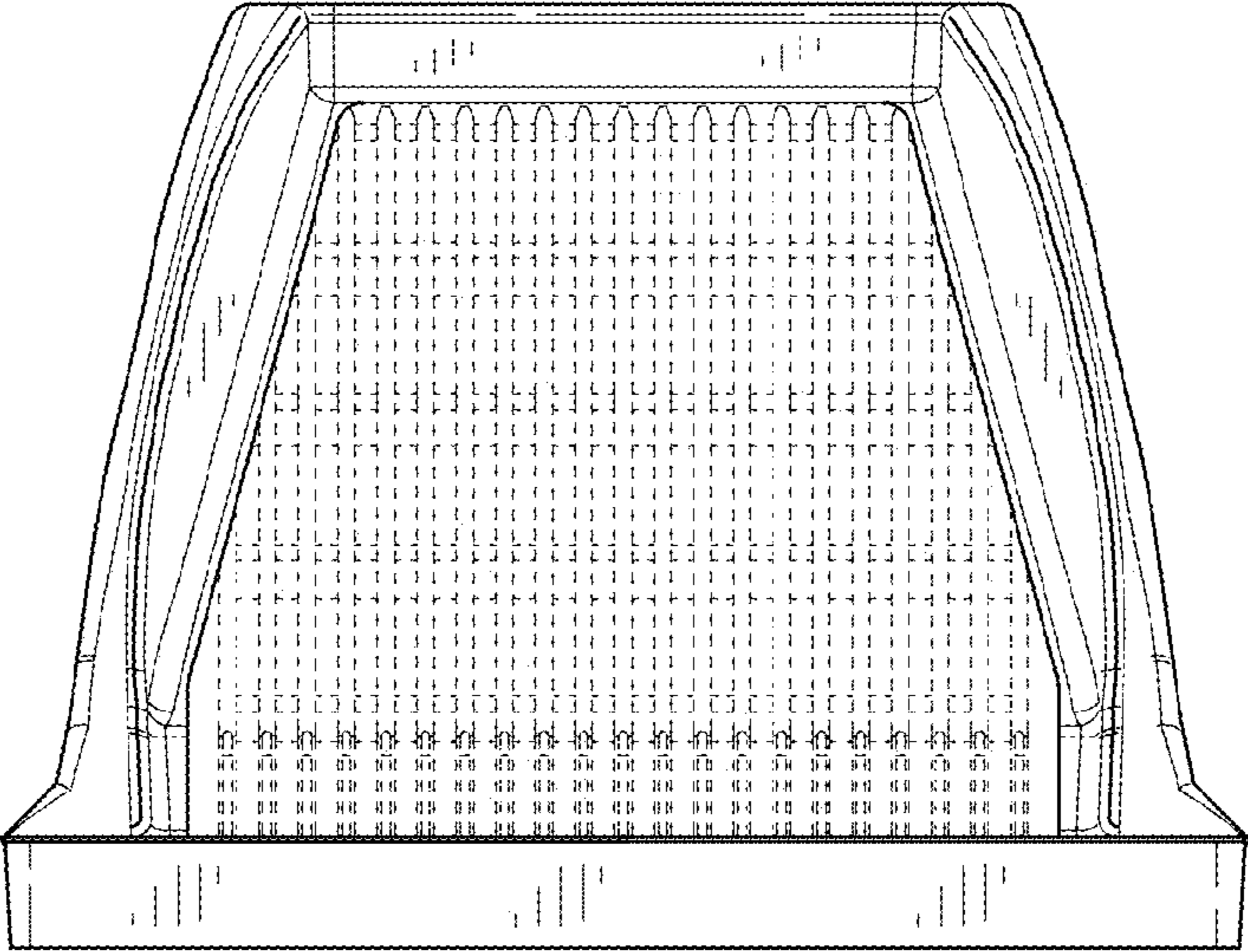


FIG. 3

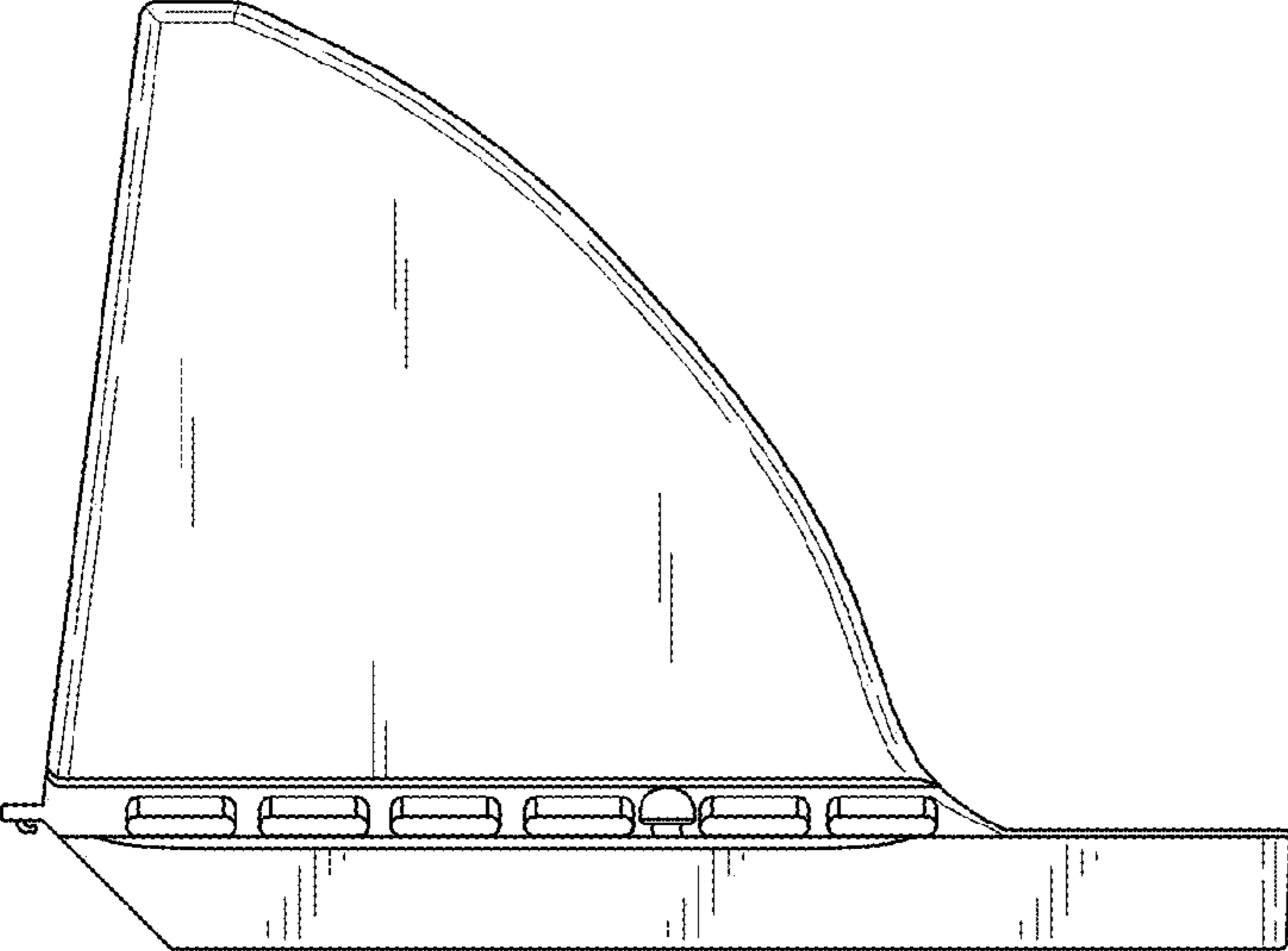


FIG. 4

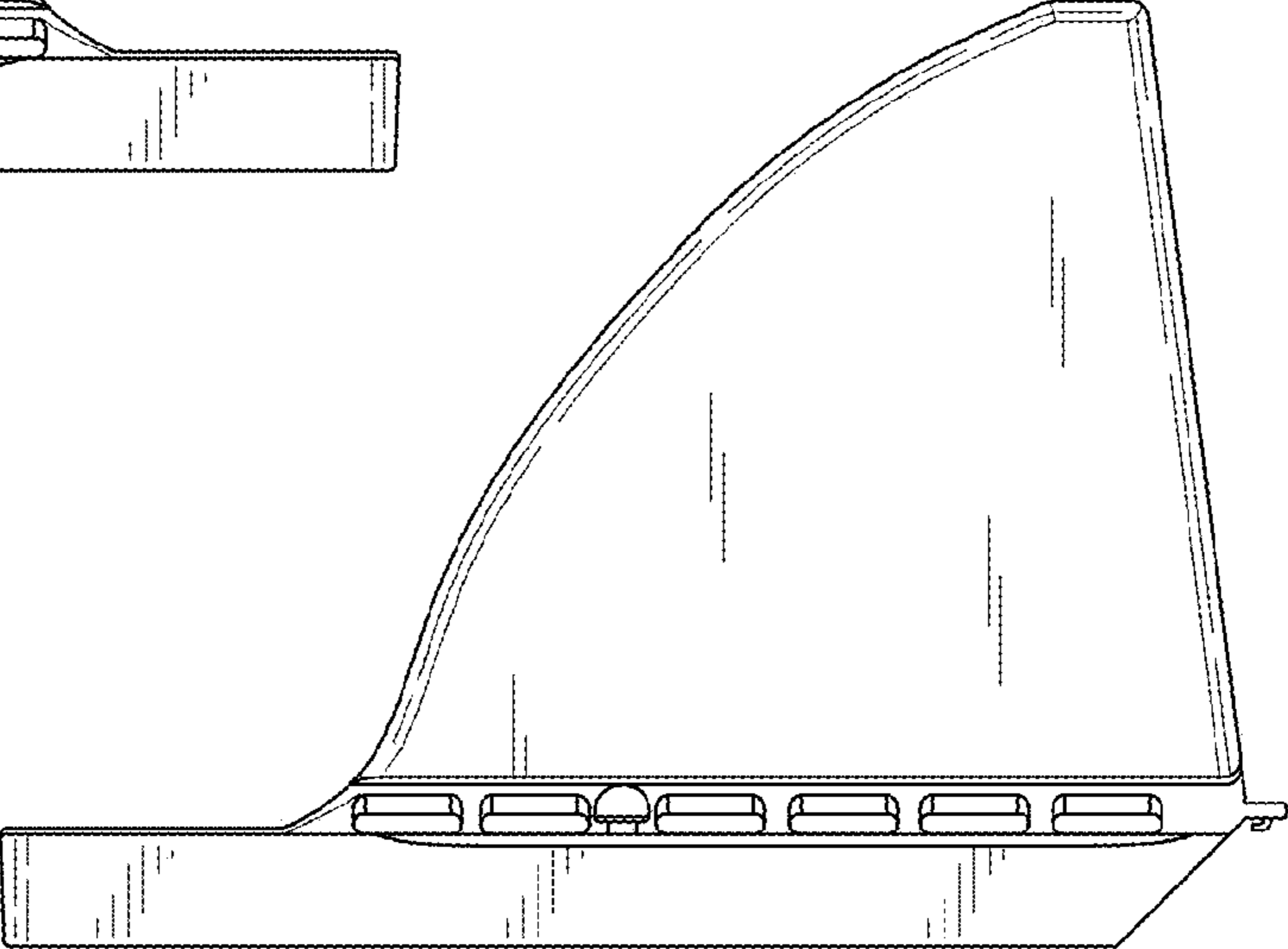


FIG. 5

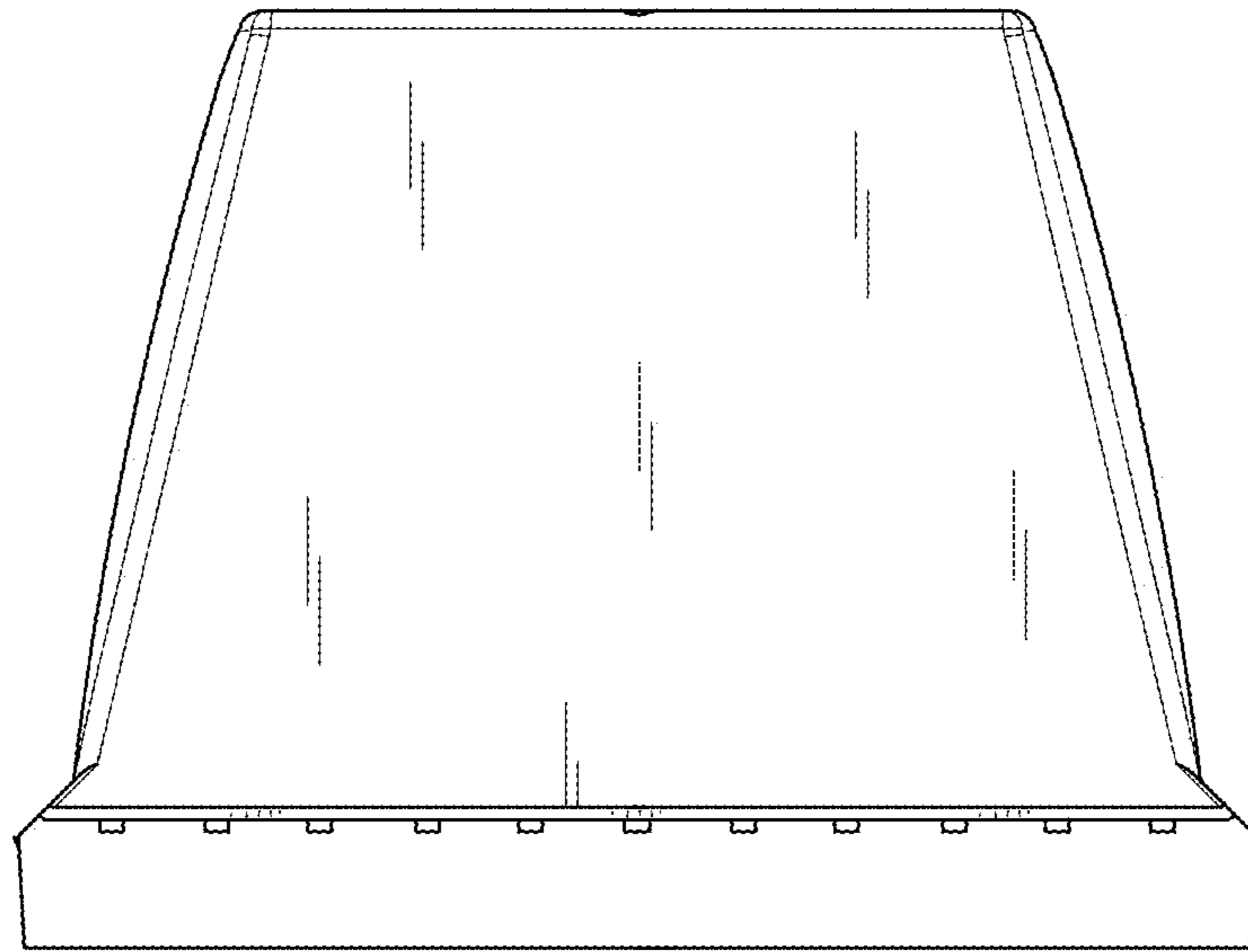


FIG. 6

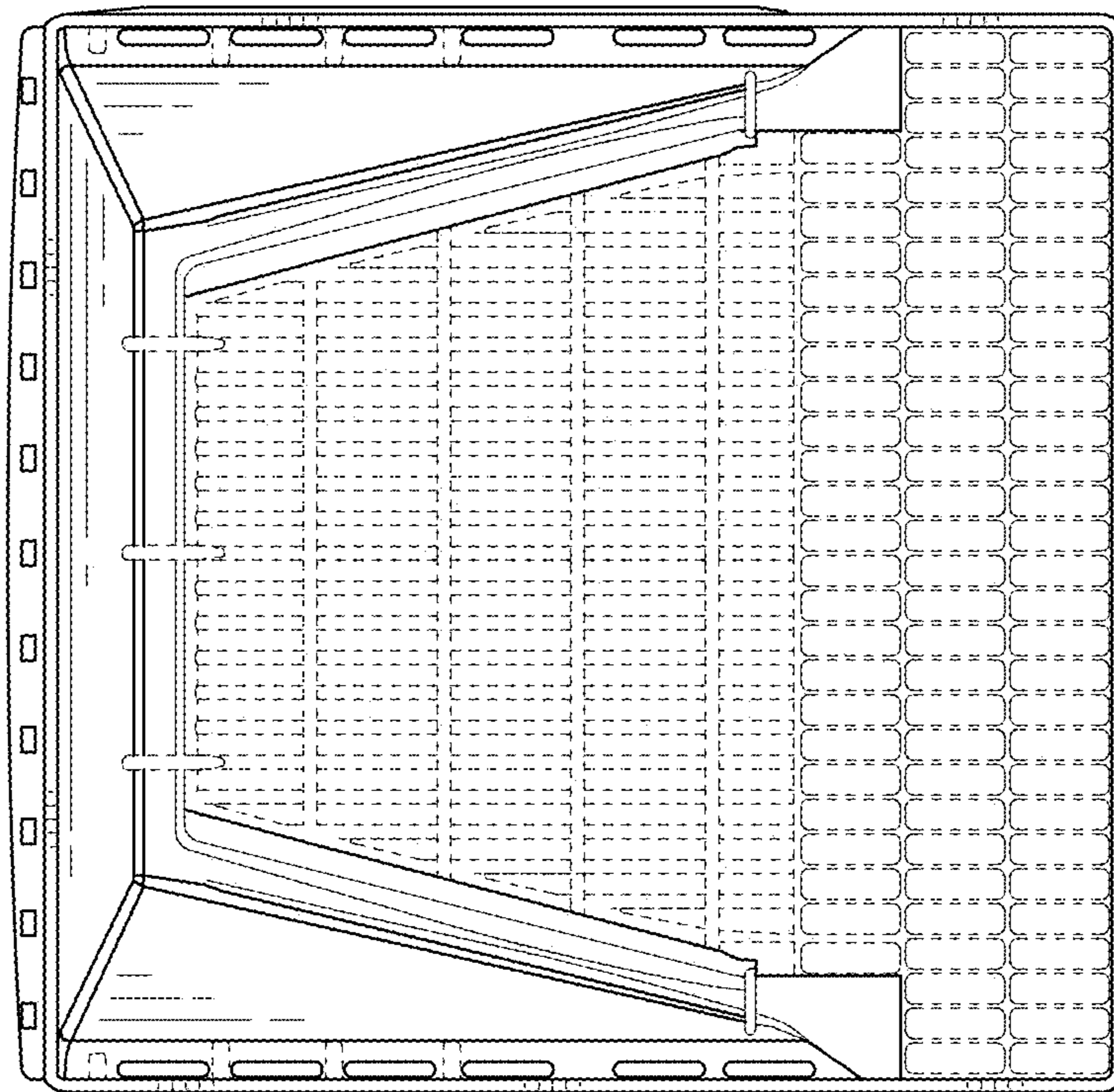


FIG. 7