



US00D882044S

(12) **United States Design Patent**
Uccellani et al.

(10) **Patent No.:** **US D882,044 S**
(45) **Date of Patent:** **** Apr. 21, 2020**

(54) **GREASE COUPLER**

4,546,956 A 10/1985 Nyberg
D299,167 S * 12/1988 Adair D24/138
6,511,100 B1 1/2003 Le Clinche
(Continued)

(71) Applicant: **Macnaught Pty Ltd**, Turrella, NSW
(AU)

(72) Inventors: **Marco Uccellani**, Turrella (AU);
Prabhjot Singh, Turrella (AU)

FOREIGN PATENT DOCUMENTS

WO 2015173131 A1 11/2015

(73) Assignee: **Macnaught Pty Ltd**, Turrella, NSW
(AU)

OTHER PUBLICATIONS

(**) Term: **15 Years**

KY+ Safety Grease Coupler; Macnaught Website; Visited Oonline
Nov. 10, 2019; https://www.macnaughtusa.com/product/ky-grease-coupler/?gclid=EALalQobChMlubDfv4Lh5QIVA4iGCh19cQjDEAAYASAAEgIHR_D_BwE (Year: 2019).*

(21) Appl. No.: **29/669,664**

(22) Filed: **Nov. 9, 2018**

(Continued)

(30) **Foreign Application Priority Data**

Jul. 25, 2018 (AU) 201814434

Primary Examiner — Amy C Wierenga

(51) **LOC (12) Cl.** **23-01**

(74) *Attorney, Agent, or Firm* — K&L Gates LLP

(52) **U.S. Cl.**
USPC **D23/262**

(57) **CLAIM**

The ornamental design for a grease coupler, as shown and described.

(58) **Field of Classification Search**

USPC D23/259, 262–266, 245, 213, 233, 235;
285/197–200; 137/315.23; D8/382, 396;
D13/133, 151; 138/110, 798, 109, 155,
138/96 T; D24/129, 110.6, 111, 133,
D24/137–138, 108, 112
CPC F16L 37/252; F16L 43/00; F16L 33/00;
F16L 21/08; F16L 55/07; F16L 37/413
See application file for complete search history.

DESCRIPTION

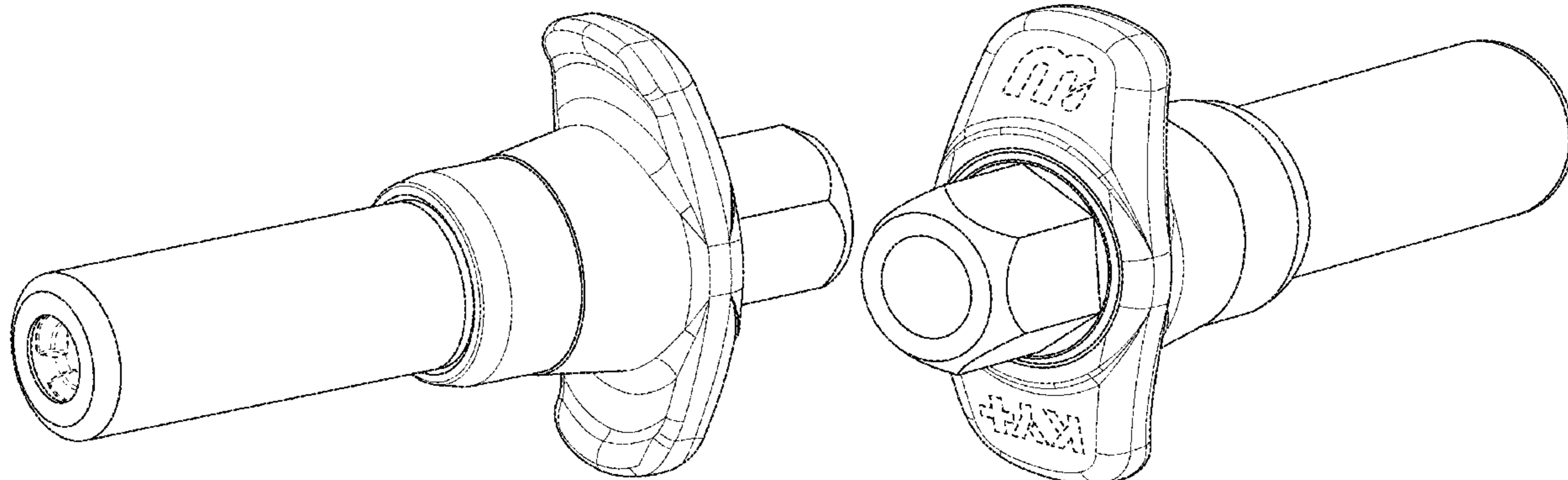
FIG. 1 illustrates a front perspective view of a grease coupler;
FIG. 2 illustrates a back perspective view thereof;
FIG. 3 illustrates a front elevational view thereof;
FIG. 4 illustrates a rear elevational view thereof;
FIG. 5 illustrates a left side elevational view thereof (the right side is a mirror image of the left side);
FIG. 6 illustrates a top plan view thereof; and,
FIG. 7 illustrates a bottom plan view thereof.
The dashed broken lines depict portions of the grease coupler that form no part of the claim. The “M” symbol is a registered trademark of Macnaught Pty Ltd (Registration No. 5963795) and forms no part of the claimed design. The “KY+” symbol is a registered trademark of Macnaught Pty Ltd (Registration No. 87701331) and forms no part of the claimed design.

(56) **References Cited**

U.S. PATENT DOCUMENTS

1,744,305 A 1/1930 Gannaway
2,070,013 A 2/1937 Krannak
2,754,135 A 7/1956 Kramer
2,784,987 A 3/1957 Corcoran
3,464,436 A 9/1969 Bruning
3,589,673 A 6/1971 Cruse
3,779,586 A 12/1973 Rossiter

1 Claim, 4 Drawing Sheets



(56)

References Cited

OTHER PUBLICATIONS

U.S. PATENT DOCUMENTS

6,675,833	B2	1/2004	Maldivs	
6,776,187	B1	8/2004	Marquis et al.	
7,073,773	B2	7/2006	Nuttall et al.	
7,073,776	B2	7/2006	Mori	
D644,322	S *	8/2011	Py	D24/112
8,720,487	B2	5/2014	Cooley	
9,175,795	B2 *	11/2015	Hopson	F16L 37/092
D748,779	S *	2/2016	Bast	D24/133
10,041,616	B2 *	8/2018	Danielson	F16L 25/14
D830,524	S *	10/2018	Vranish	D23/262
D854,665	S *	7/2019	Simon	D23/262
D865,960	S *	11/2019	Hahn	D24/138
2005/0167981	A1 *	8/2005	Nuttall	F16L 37/0848 285/316
2012/0241021	A1 *	9/2012	Nick	F16L 29/04 137/343
2015/0115601	A1	4/2015	Boucher et al.	
2015/0184801	A1 *	7/2015	Gurney	F16K 15/183 222/318
2018/0299065	A1 *	10/2018	Hung	F16N 3/12
2019/0152762	A1 *	5/2019	Peattie	F16L 37/35

KY+Grease Coupler by Macnaught Intro Video; YouTube Frame 0:38/2:23; Date Published Mar. 17, 2019; Visited Online Nov. 10, 2019; https://www.youtube.com/watch?v=IMdvgybE5ig&feature=emb_logo (Year: 2019).*

Macnaught KY Plus Safety GREASE Coupler; Amazon Date First Available Oct. 13, 2019; https://www.amazon.com/Macnaught-Plus-Safety-Grease-Coupler/dp/B07Z2TT298/ref=sr_1_2_sspa?crid=7TQU0DLX15GI&keywords=grease+coupler&qid=1573437449&sprefix=Grease+coupler%2Caps%2C141&sr=8-2-spons&psc=1&spLa=ZW5 (Year: 2019).*

Macnaught KY+ Load & Lube Safety Grease Coupler; Spec Sheet Copyright 2019; Visited Online Feb. 22, 2020; https://intl.macnaught.com/documents/product_sheet/ps_kyplus.pdf (Year: 2019).*

European Search Report for International Patent Application No. PCT/AU2018/050651 dated Jan. 23, 2020.

* cited by examiner

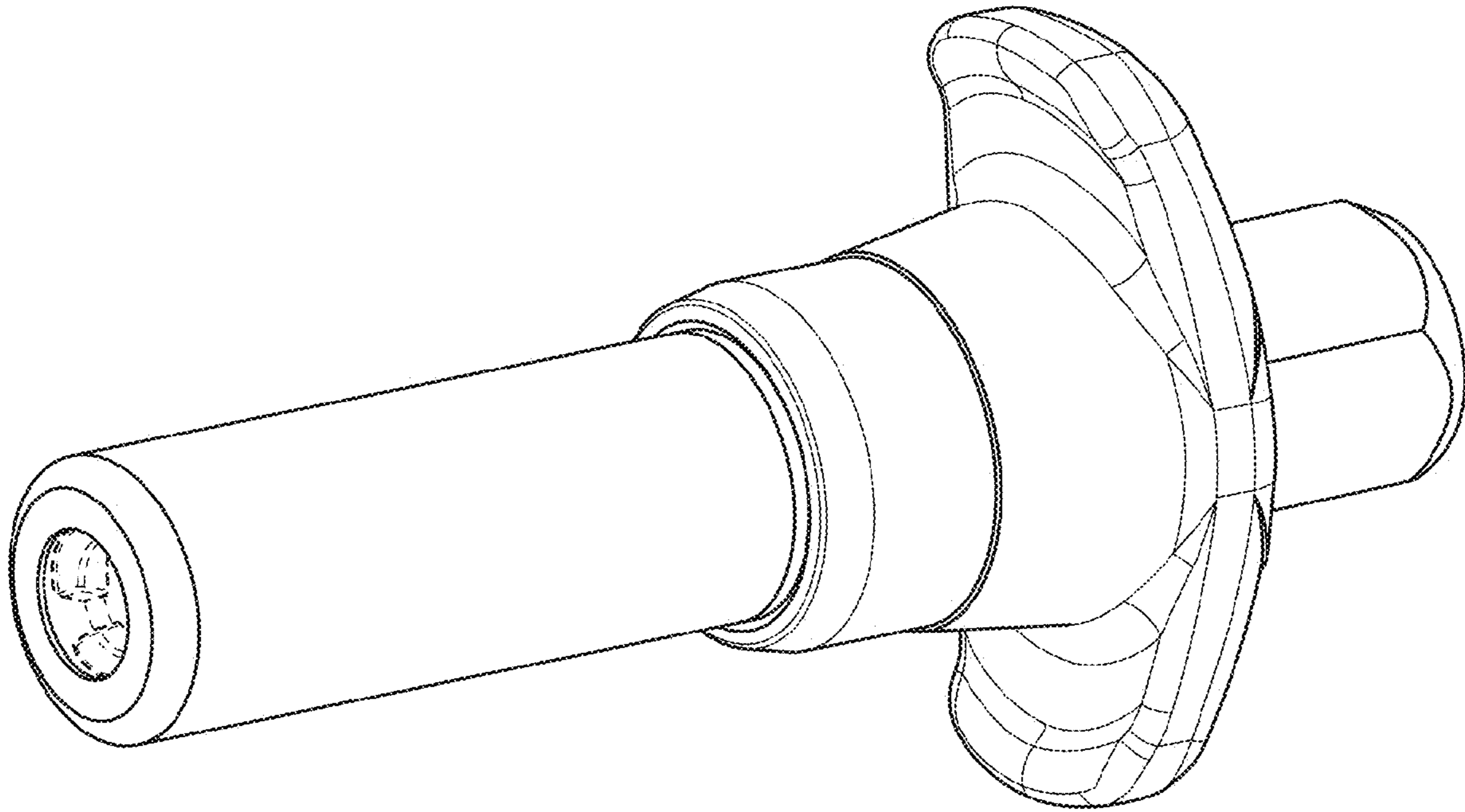


FIG. 1

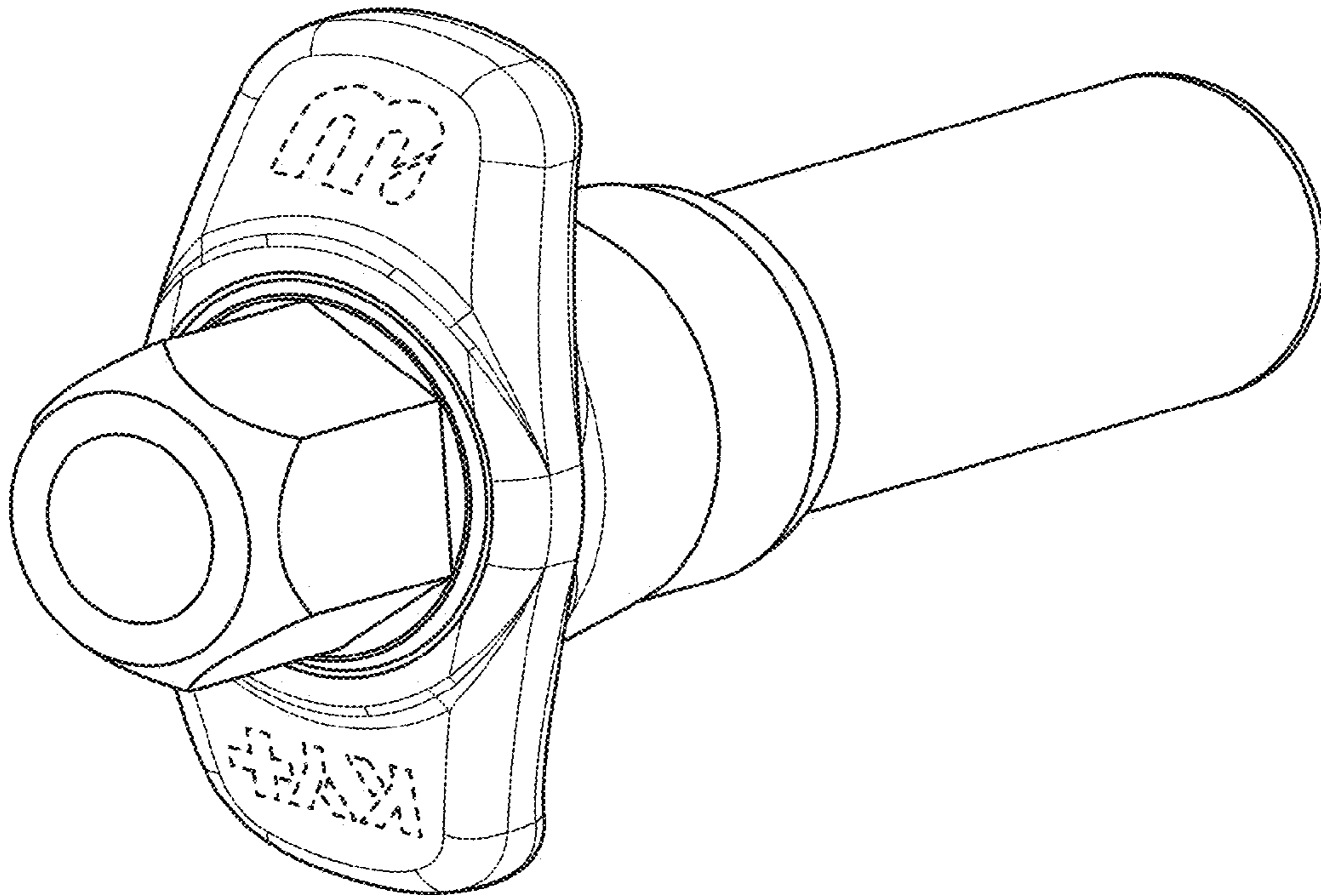


FIG. 2

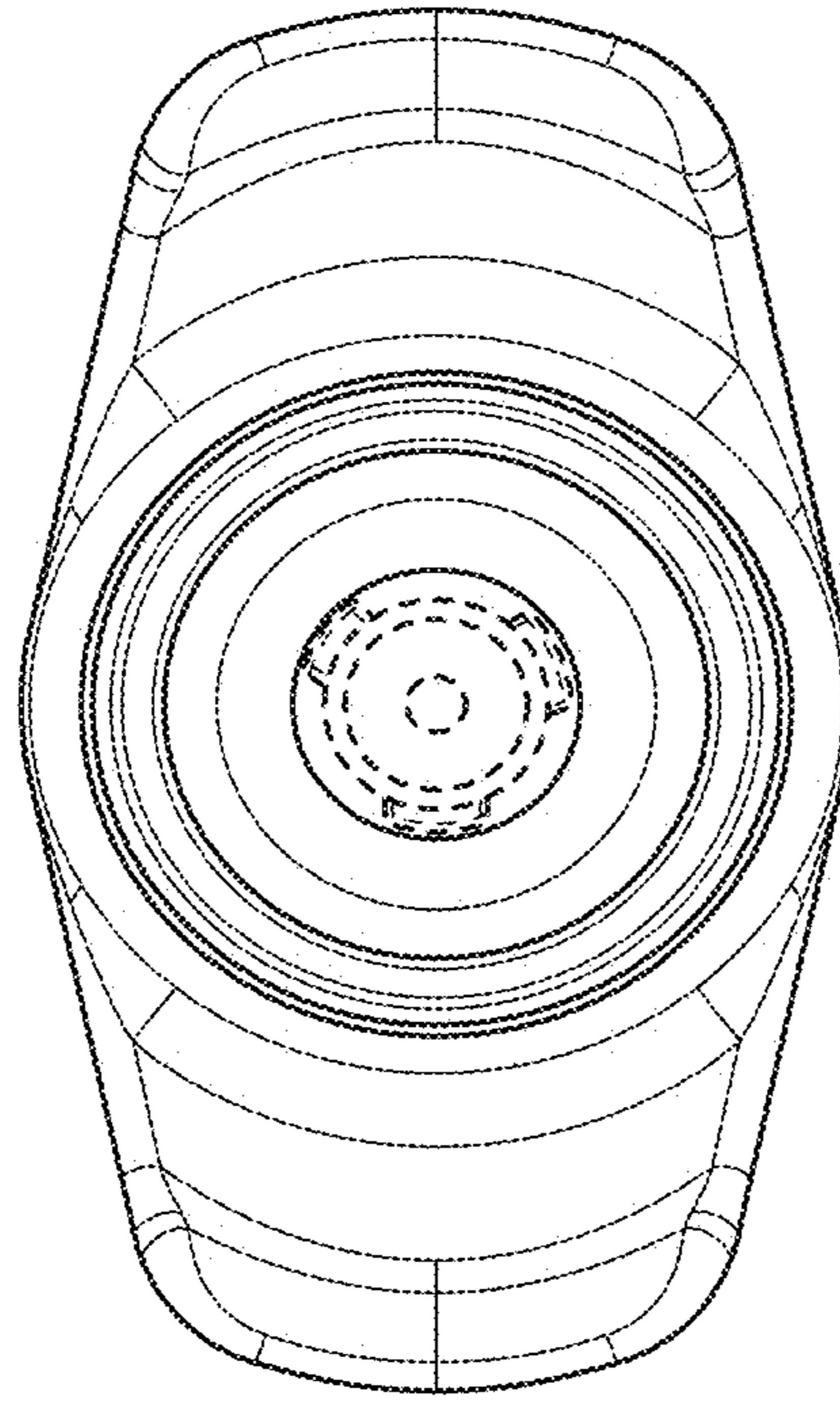


FIG. 3

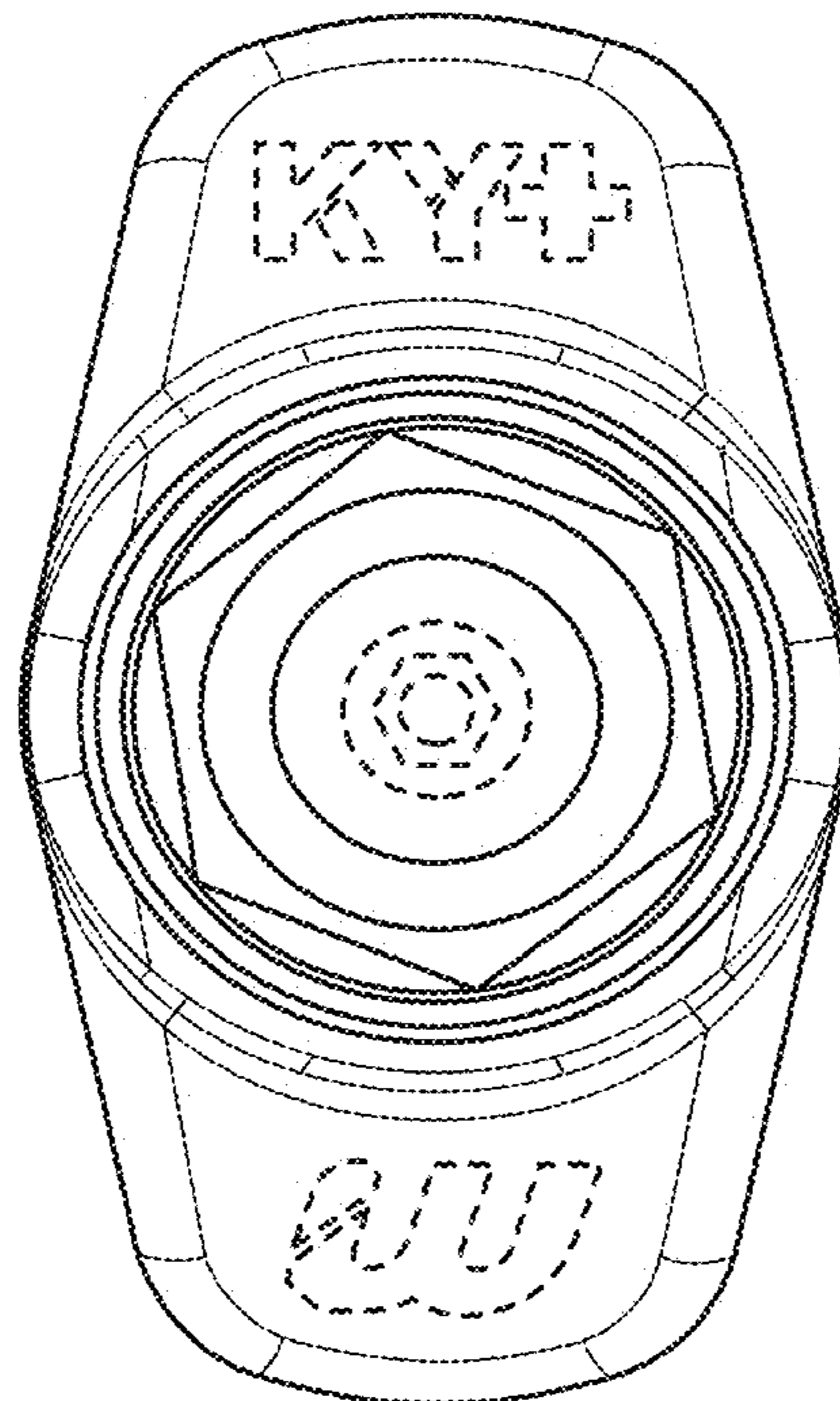


FIG. 4

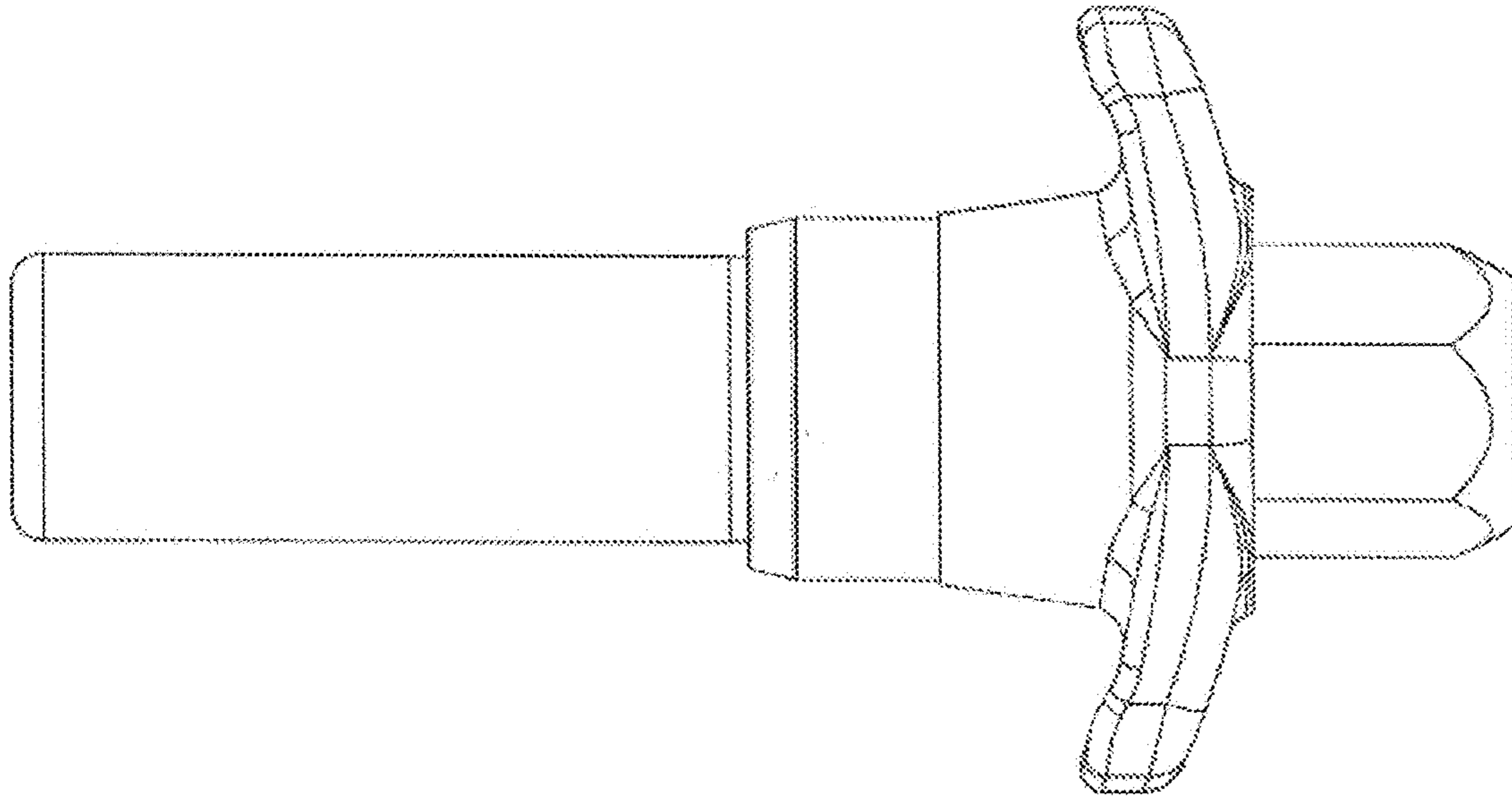


FIG. 5

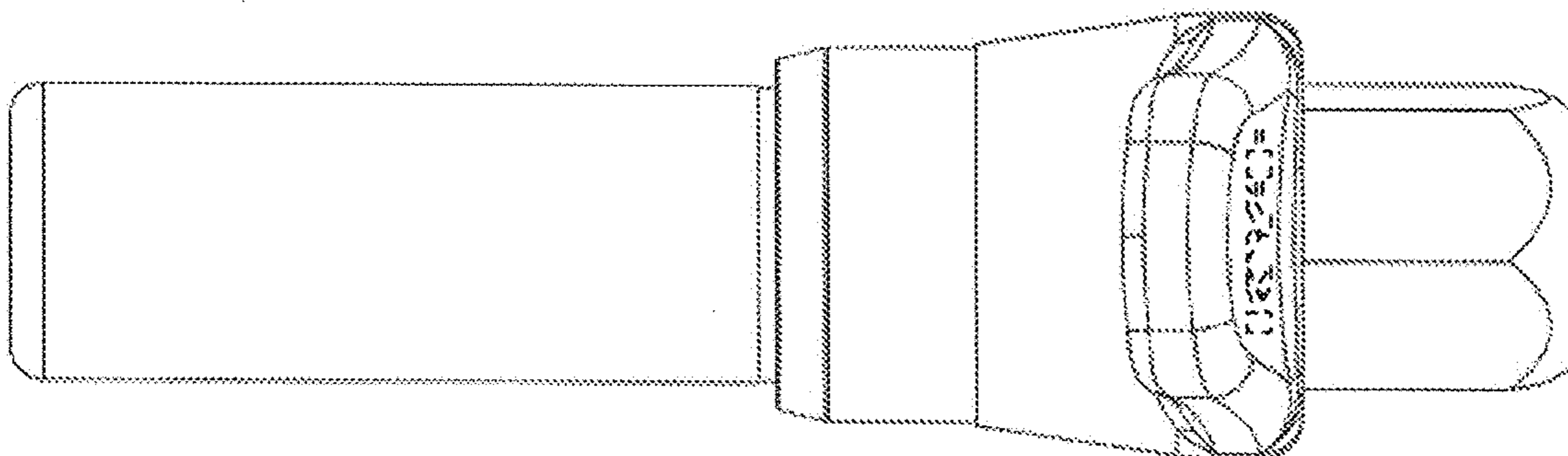


FIG. 6

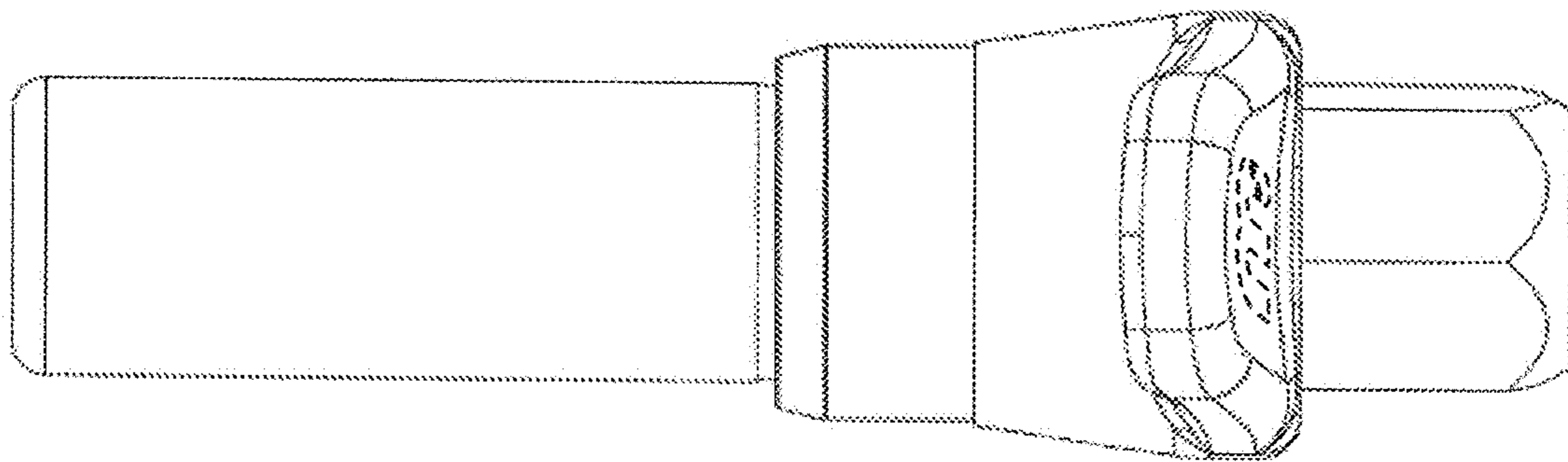


FIG. 7