



US00D882043S

(12) **United States Design Patent** (10) **Patent No.:** **US D882,043 S**  
**Lian** (45) **Date of Patent:** **\*\* Apr. 21, 2020**

(54) **LADYBUG WATER PUMP**  
(71) Applicant: **Edmund Lian**, McLean, VA (US)  
(72) Inventor: **Edmund Lian**, McLean, VA (US)  
(\*\*) Term: **15 Years**  
(21) Appl. No.: **29/636,983**

D492,197 S 6/2004 Pearson et al.  
D494,340 S 8/2004 Gaumhogger et al.  
D512,137 S 11/2005 Chen  
D532,977 S 12/2006 Huller  
D535,067 S \* 1/2007 Renforth ..... D30/160  
D607,139 S 12/2009 Johnson et al.  
D627,152 S \* 11/2010 Williams ..... D3/203.3  
D640,807 S \* 6/2011 Weiser ..... D22/120  
D687,385 S \* 8/2013 Ott ..... D13/156  
D697,986 S \* 1/2014 Friedland ..... D21/572  
D749,782 S 2/2016 Dildy

(22) Filed: **Feb. 13, 2018**  
(51) **LOC (12) Cl.** ..... **23-01**  
(52) **U.S. Cl.**  
USPC ..... **D23/215**  
(58) **Field of Classification Search**  
USPC ..... D23/213, 214, 221, 222, 223, 226, 227,  
D23/229, 230, 364, 366; D8/8; D9/521,  
D9/529, 687; D12/400; D15/139;  
D32/41, 42, 49; D4/118  
CPC ..... A62C 31/02; A62C 31/03; B05B 1/304;  
B05B 1/308; B65D 47/247; B65D 47/24;  
B65D 47/32; B65D 47/06  
See application file for complete search history.

**OTHER PUBLICATIONS**

Water Alarm—Leak Bug Flood Detector [Jul. 10, 2019] found online [Jul. 10, 2019]—<https://www.amazon.com/Detector-detects-Electronic-Overflow-Battery/dp/B00OUD0QZC>.\*

\* cited by examiner

*Primary Examiner* — Brandon M Rosati  
*Assistant Examiner* — John A Voytek  
(74) *Attorney, Agent, or Firm* — Louis Ventre, Jr.

(57) **CLAIM**

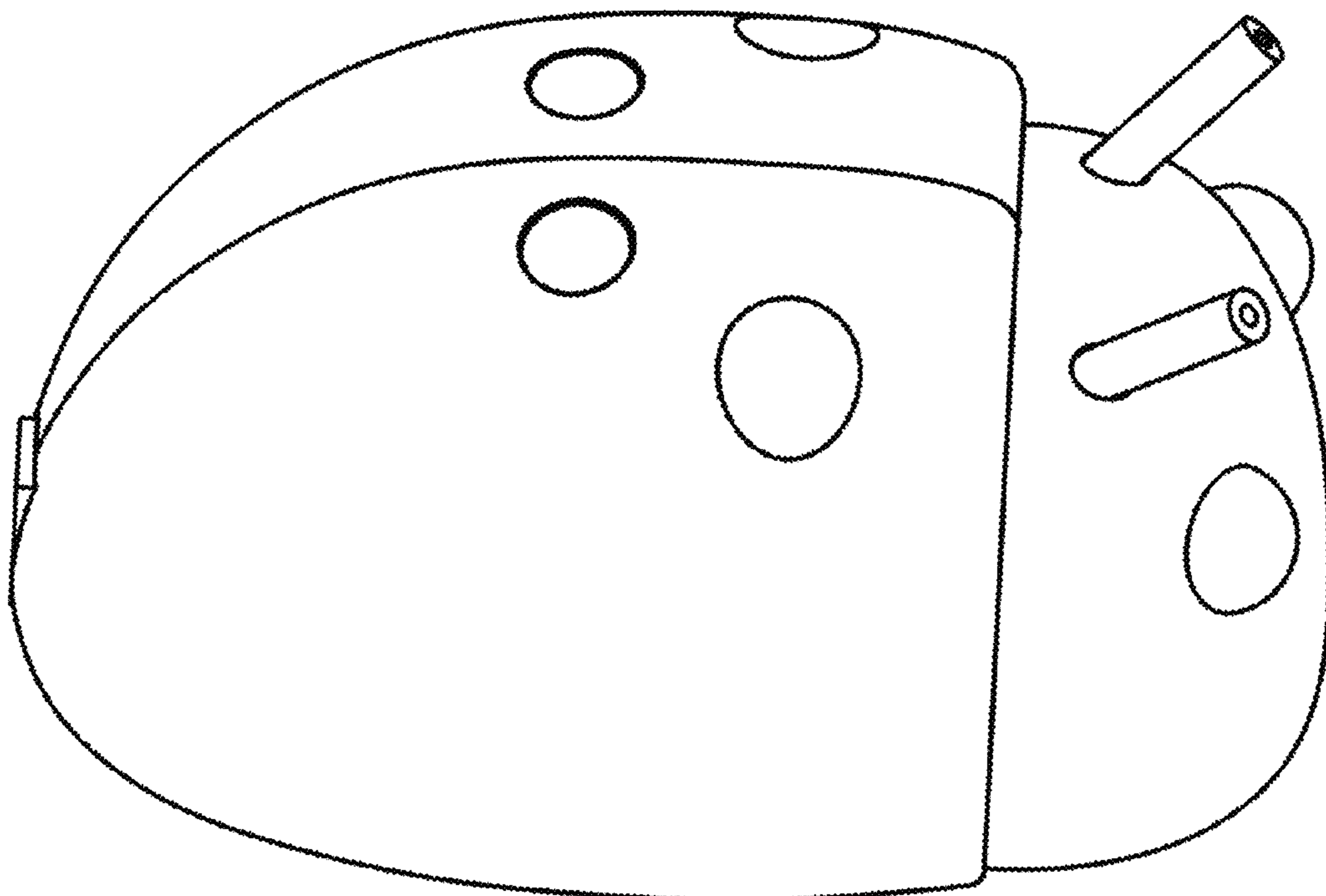
The ornamental design for a ladybug water pump, as shown and described.

**DESCRIPTION**

FIG. 1 is a top perspective view of a ladybug water pump showing my new design;  
FIG. 2 is a front elevation view thereof;  
FIG. 3 is a top view thereof;  
FIG. 4 is a rear elevation view thereof;  
FIG. 5 is a left-side elevation view thereof;  
FIG. 6 is a right-side elevation view thereof; and,  
FIG. 7 is a bottom view thereof.

**1 Claim, 7 Drawing Sheets**

(56) **References Cited**  
U.S. PATENT DOCUMENTS  
D226,614 S \* 4/1973 Stauffer ..... D11/158  
D330,246 S \* 10/1992 Yanniell ..... D23/215  
D336,945 S \* 6/1993 Tsai ..... D23/200  
D342,769 S 12/1993 Stang  
D363,938 S \* 11/1995 Kahng ..... D15/14  
D423,489 S \* 4/2000 Pesco ..... D14/403  
D438,212 S \* 2/2001 Whitenack ..... D14/402  
D444,825 S \* 7/2001 Child ..... D21/428  
D446,602 S 8/2001 Xu  
D483,768 S \* 12/2003 Shah ..... D14/403



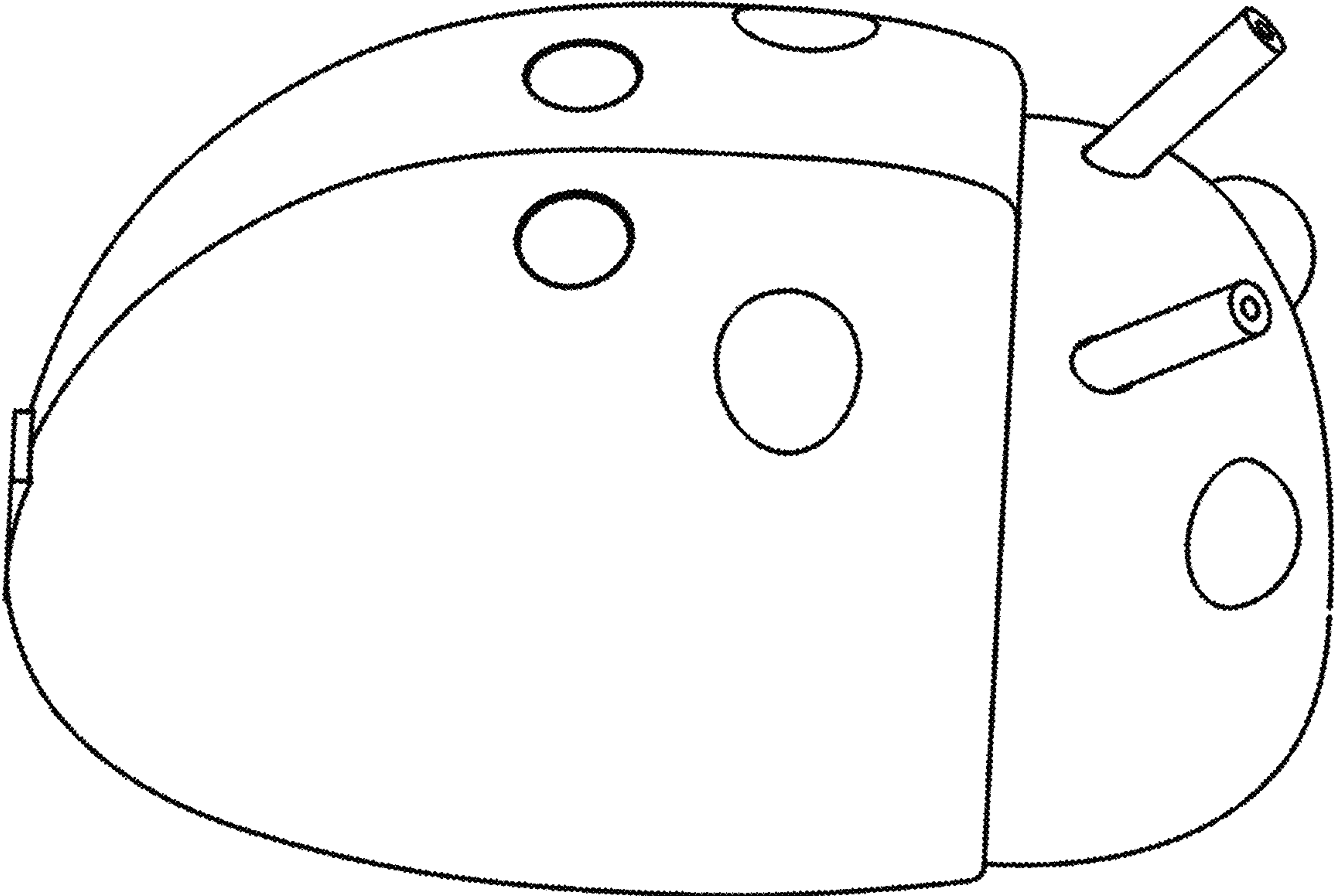


FIG.1

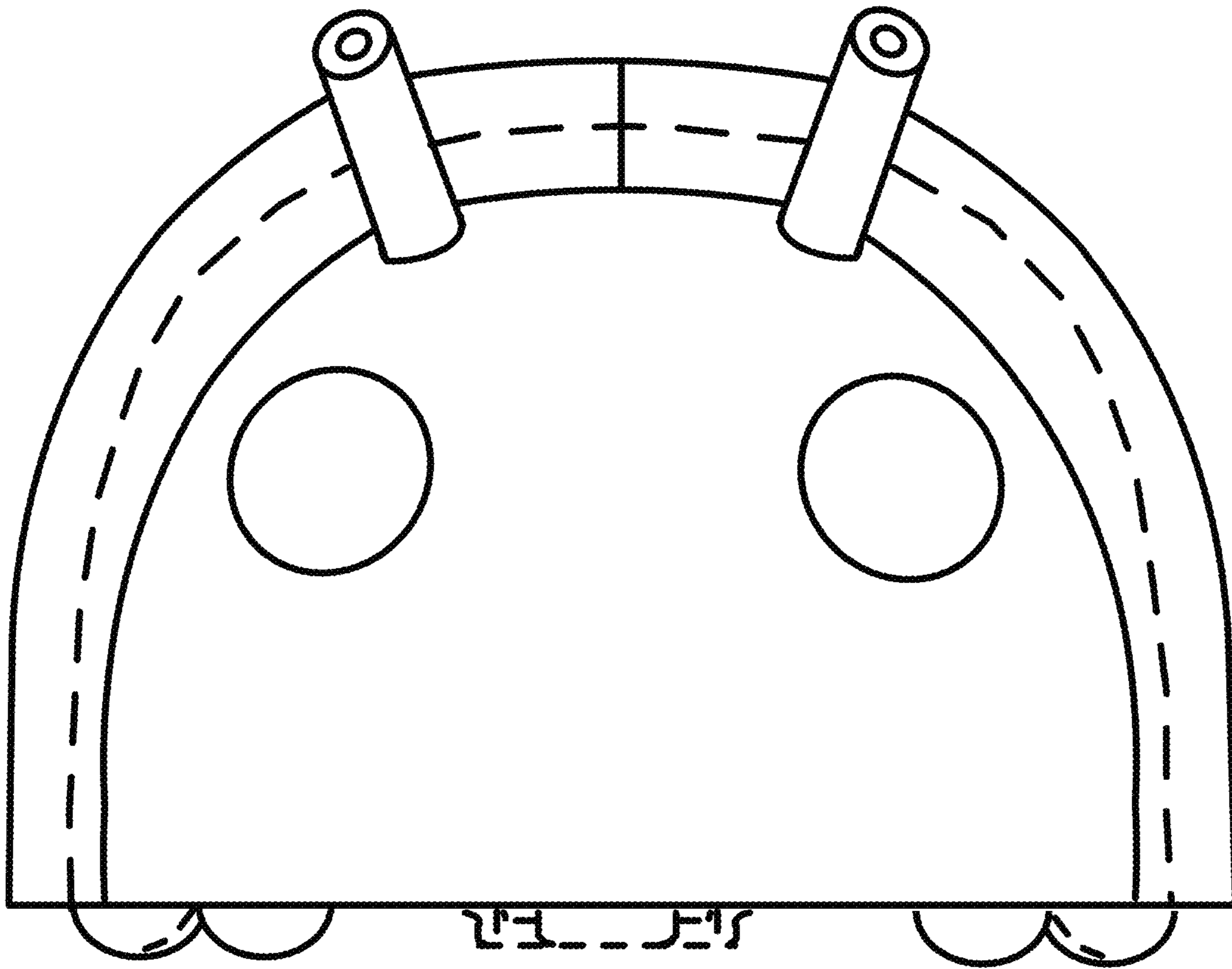


FIG.2

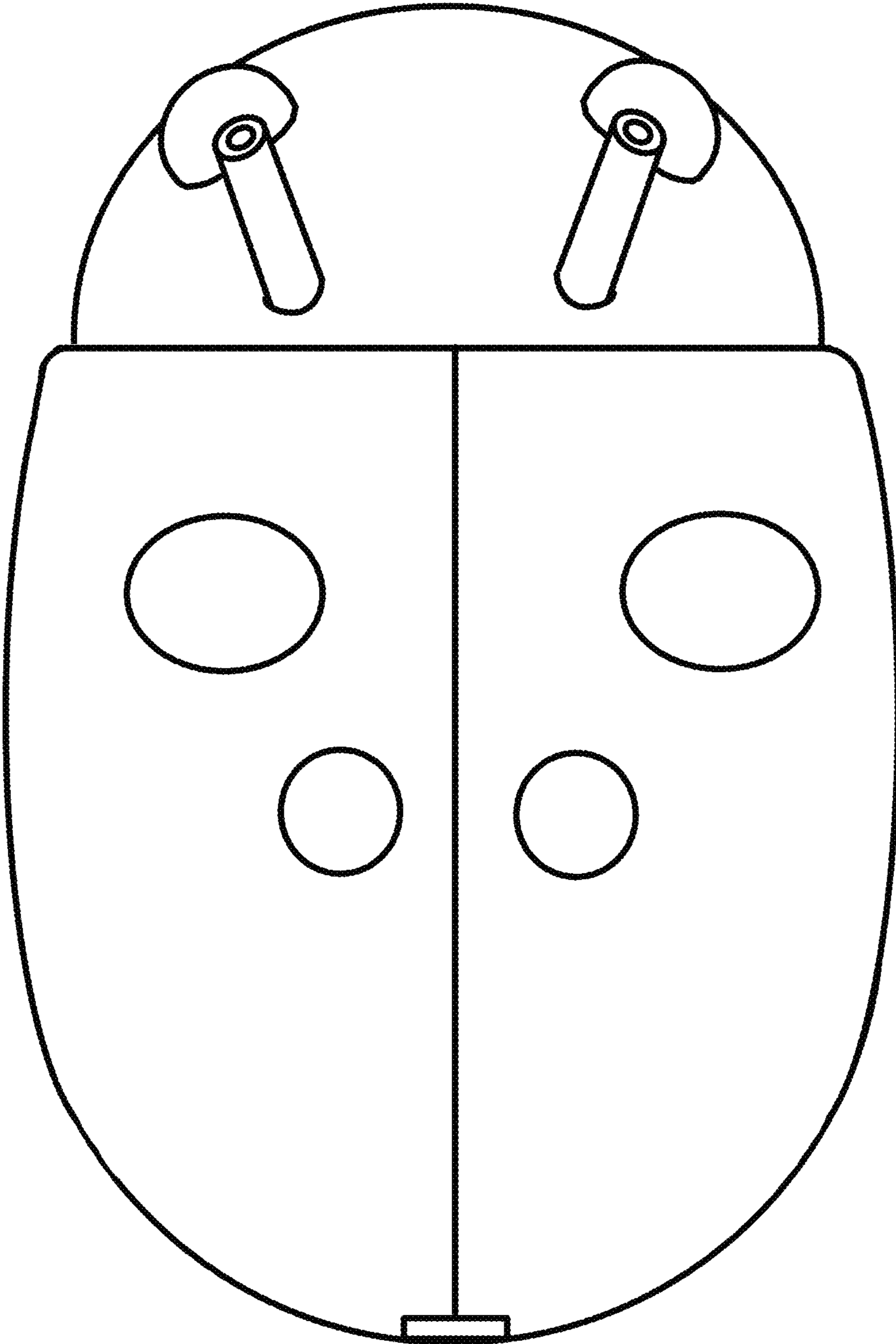


FIG.3

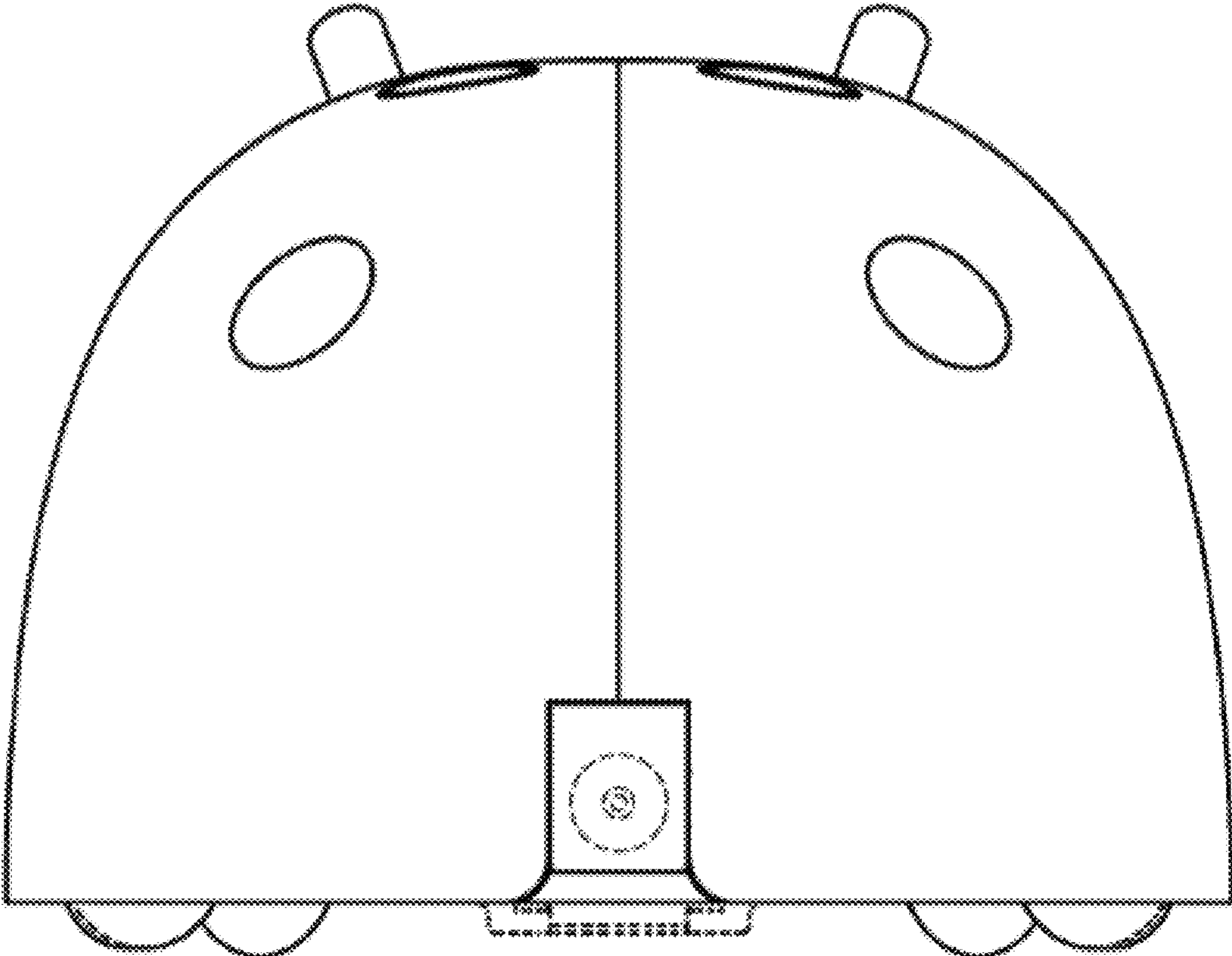


FIG.4

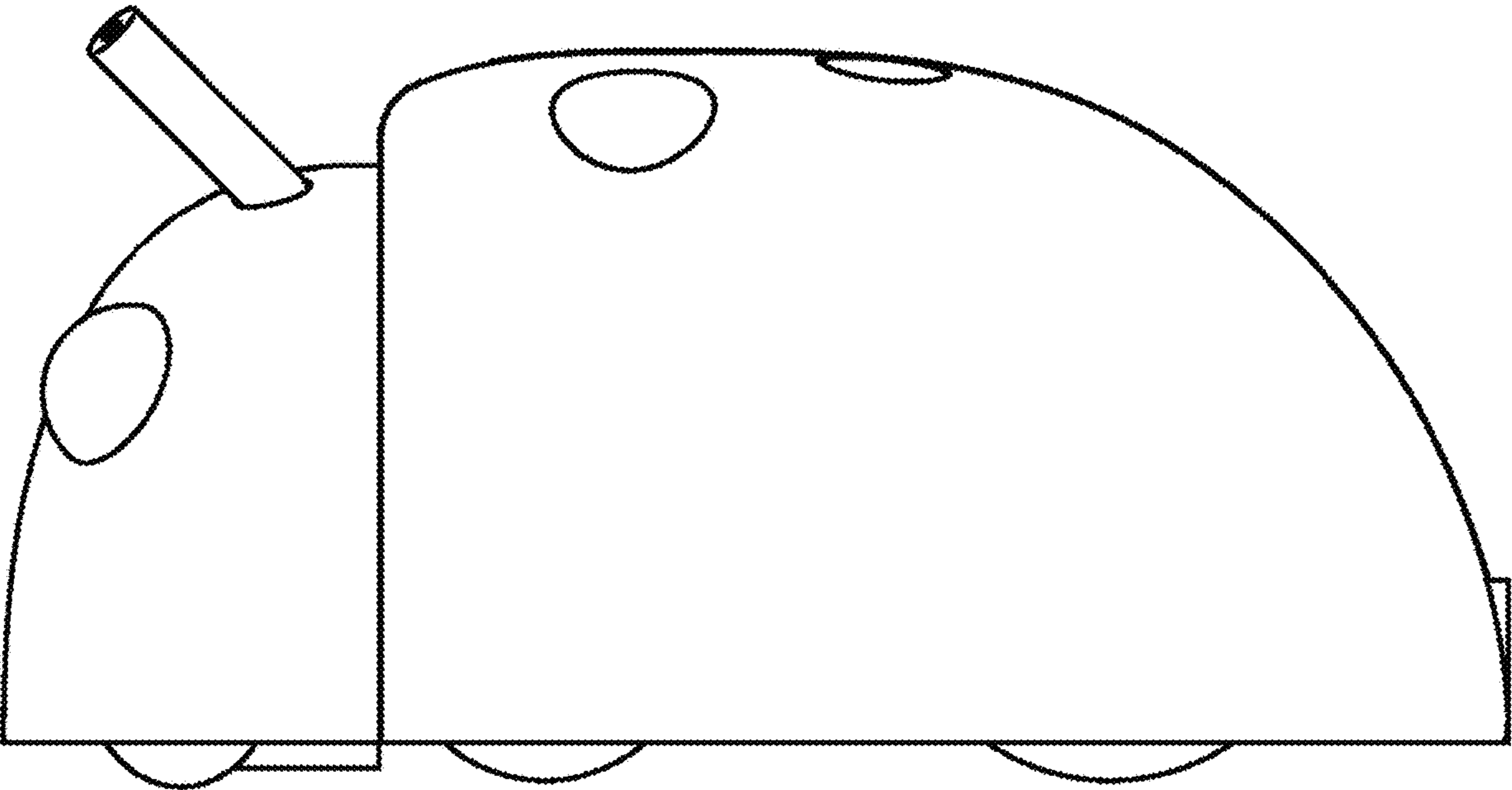


FIG.5

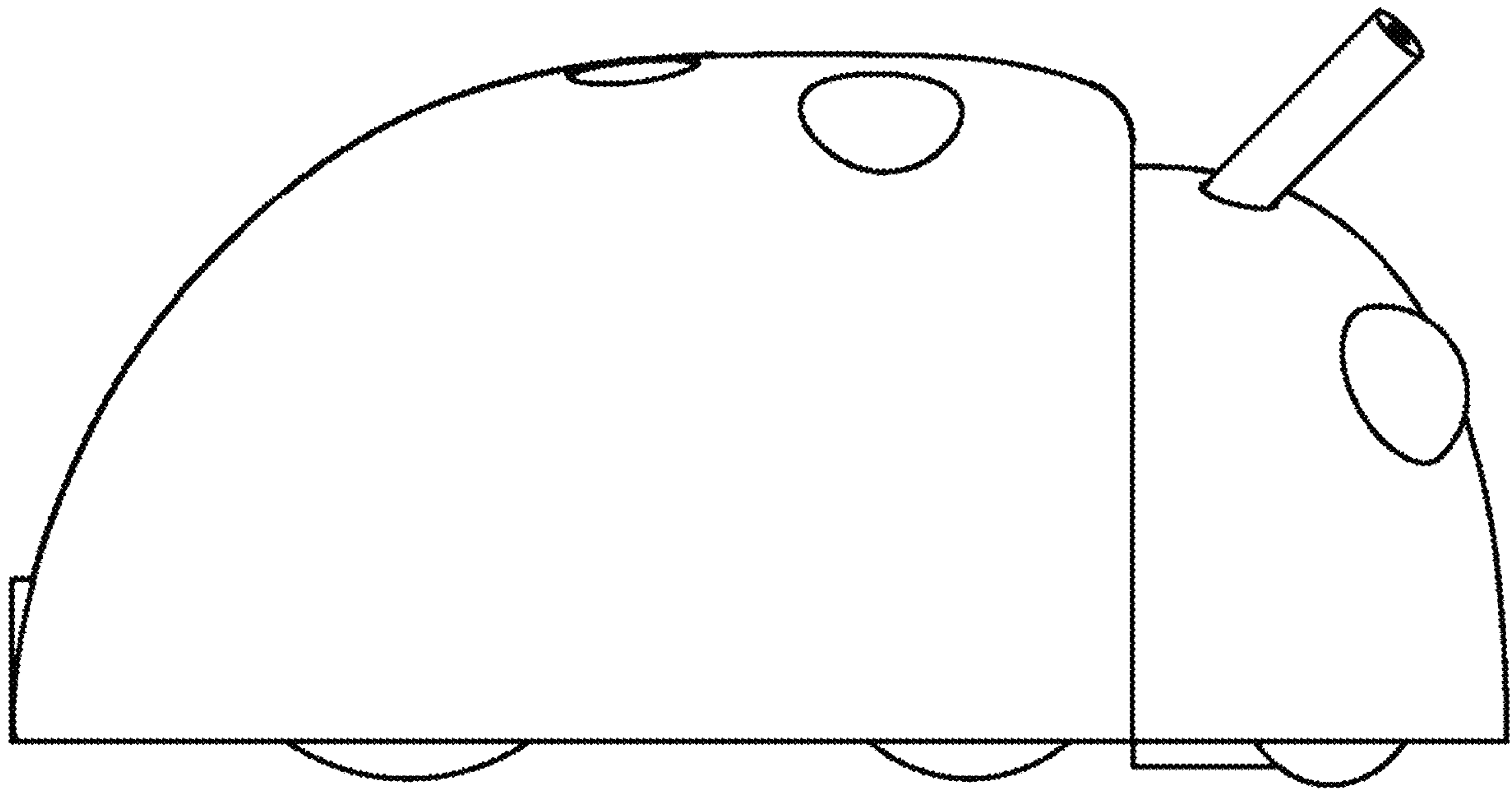


FIG.6

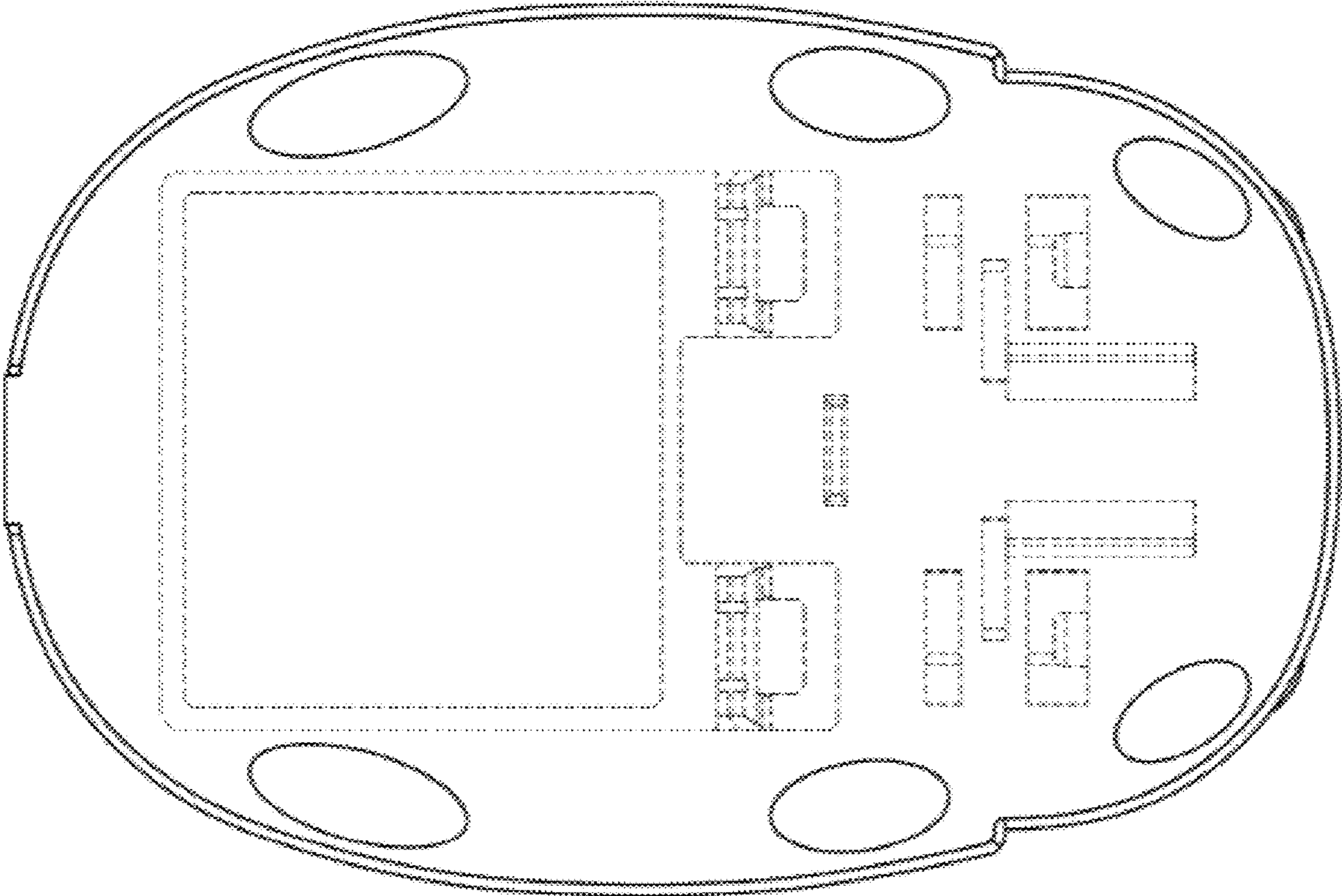


FIG. 7