



US00D882042S

(12) **United States Design Patent** (10) **Patent No.:** **US D882,042 S**
Sesser (45) **Date of Patent:** **** Apr. 21, 2020**

(54) **SOLID COVER CAP ASSEMBLY FOR UP TOP RIGID MOUNT ORBITOR**

(71) Applicant: **Nelson Irrigation Corporation**, Walla Walla, WA (US)

(72) Inventor: **George L. Sesser**, Walla Walla, WA (US)

(73) Assignee: **NELSON IRRIGATION CORPORATION**, Walla Walla, WA (US)

(**) Term: **15 Years**

(21) Appl. No.: **29/671,567**

(22) Filed: **Nov. 28, 2018**

Related U.S. Application Data

(63) Continuation-in-part of application No. 29/656,188, filed on Jul. 11, 2018.

(51) **LOC (12) Cl.** **23-01**

(52) **U.S. Cl.**
USPC **D23/214**

(58) **Field of Classification Search**
USPC D23/213, 214, 216, 219, 220, 221, 260
CPC B05B 1/265; B05B 3/0486; B05B 3/008; B05B 1/26; A01G 25/02
See application file for complete search history.

(56) **References Cited**

U.S. PATENT DOCUMENTS

D253,364 S	11/1979	McFadden	
D260,169 S *	8/1981	Vikre	D23/214
D312,865 S	12/1990	Davisson	
5,381,960 A *	1/1995	Sullivan	B05B 3/008 239/222.17
5,620,141 A	4/1997	Chiang	
6,267,299 B1 *	7/2001	Meyer	B05B 3/008 239/222.11

6,341,733 B1 *	1/2002	Sweet	B05B 3/008 239/222.17
6,382,525 B1 *	5/2002	Santiesteban	B05B 1/265 239/222.11
6,439,477 B1 *	8/2002	Sweet	B05B 3/008 239/214
6,688,539 B2 *	2/2004	Vander Griend	B05B 3/0486 239/214.13
D501,535 S *	2/2005	Wang	D23/214

(Continued)

OTHER PUBLICATIONS

<http://r7rotator.com/products/family/end-of-pivot-solutions/r55> (Year: 2019).*

(Continued)

Primary Examiner — Manpreet S Matharu

Assistant Examiner — Keith J Wilson

(74) *Attorney, Agent, or Firm* — Nixon & Vanderhye P.C.

(57) **CLAIM**

The ornamental design for a solid cover cap assembly for up top rigid mount orbitor, as shown and described.

DESCRIPTION

FIG. 1 is a top perspective view of a solid cover cap assembly for up top rigid mount orbitor according to the invention;

FIG. 2 is a side view thereof;

FIG. 3 is an opposite side view thereof;

FIG. 4 is a top view thereof;

FIG. 5 is a bottom view thereof;

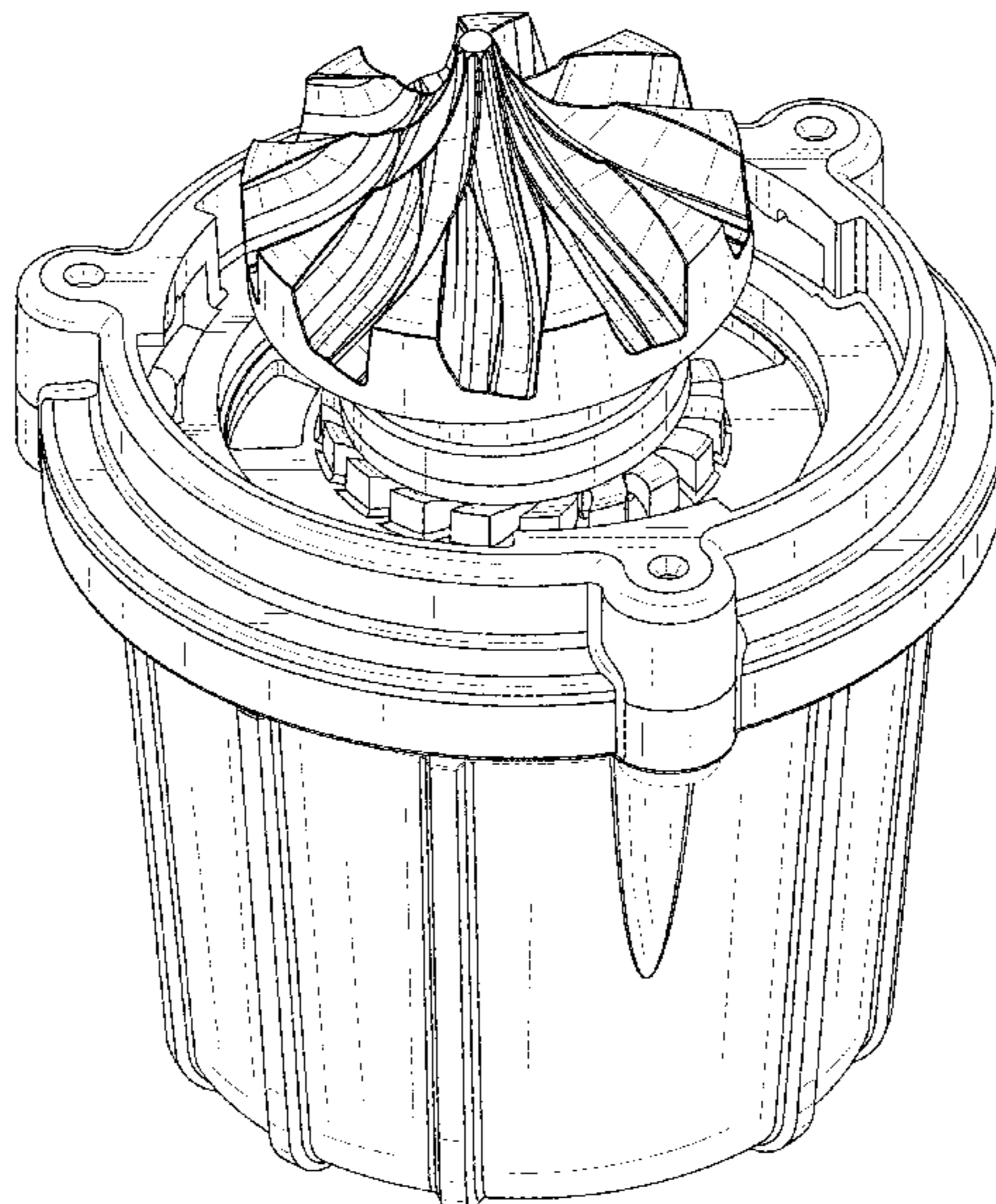
FIG. 6 is a front view thereof;

FIG. 7 is a rear view thereof; and,

FIG. 8 is a bottom perspective view thereof.

The broken lines in the drawings show portions of the rigid mount orbitor that form no part of the claimed design.

1 Claim, 8 Drawing Sheets



(56)

References Cited

U.S. PATENT DOCUMENTS

6,932,279 B2 * 8/2005 Burcham B05B 3/008
239/222.11
7,287,710 B1 * 10/2007 Nelson B05B 3/006
239/222.17
D567,329 S 4/2008 Holmes
7,562,833 B2 * 7/2009 Perkins B05B 3/006
239/222.11
8,028,932 B2 * 10/2011 Sesser B05B 3/0486
239/222.11
8,590,806 B2 * 11/2013 Drechsel B05B 3/008
239/222.17
D721,419 S 1/2015 Koiwa
9,314,952 B2 * 4/2016 Walker B29C 45/2628
9,327,297 B2 * 5/2016 Walker B05B 1/267
9,511,383 B2 * 12/2016 Drechsel A01G 25/02
10,239,066 B2 * 3/2019 Sesser B05B 3/005
10,322,423 B2 * 6/2019 Walker B05B 3/003
2006/0006254 A1 1/2006 Meyer
2006/0108445 A1 5/2006 Pinch
2009/0224070 A1 9/2009 Clark
2010/0038450 A1 2/2010 Sesser
2017/0333924 A1 11/2017 Sesser
2018/0311684 A1 11/2018 Lawyer
2019/0054480 A1 * 2/2019 Sesser B05B 3/0486
2019/0054481 A1 * 2/2019 Sesser B05B 3/008

OTHER PUBLICATIONS

U.S. Appl. No. 29/656,177, filed Jul. 2018, Sesser.
U.S. Appl. No. 29/656,185, filed Jul. 2018, Sesser.
U.S. Appl. No. 29/656,188, filed Jul. 2018, Sesser.
Nelson Orbitor reference [Jul. 10, 2019] found online [Jul. 10, 2019]—<https://www.nelsonirrigation.com/products/family/pivot-sprinklers/o3030-orbitor>.

* cited by examiner

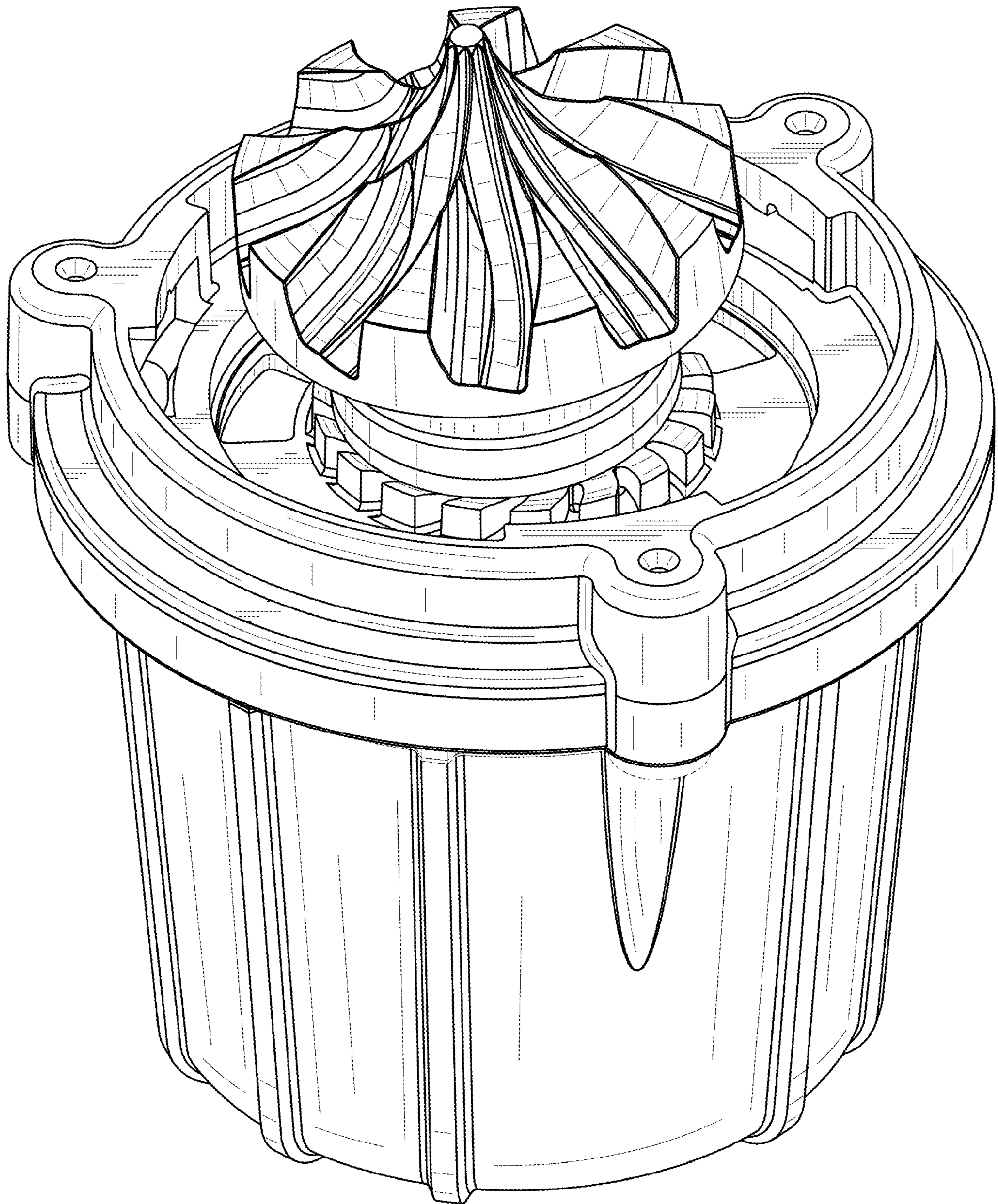


FIG. 1

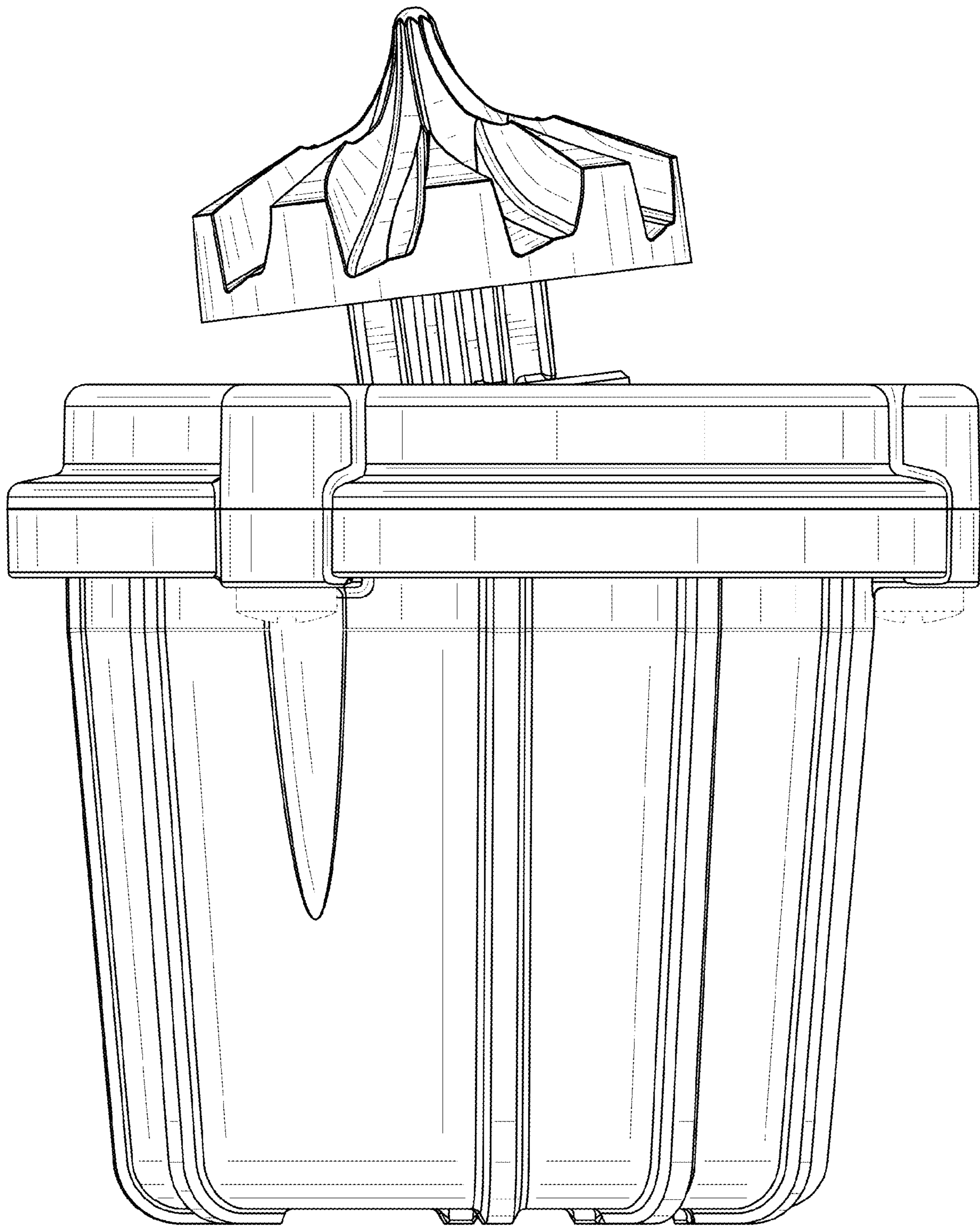


FIG. 2

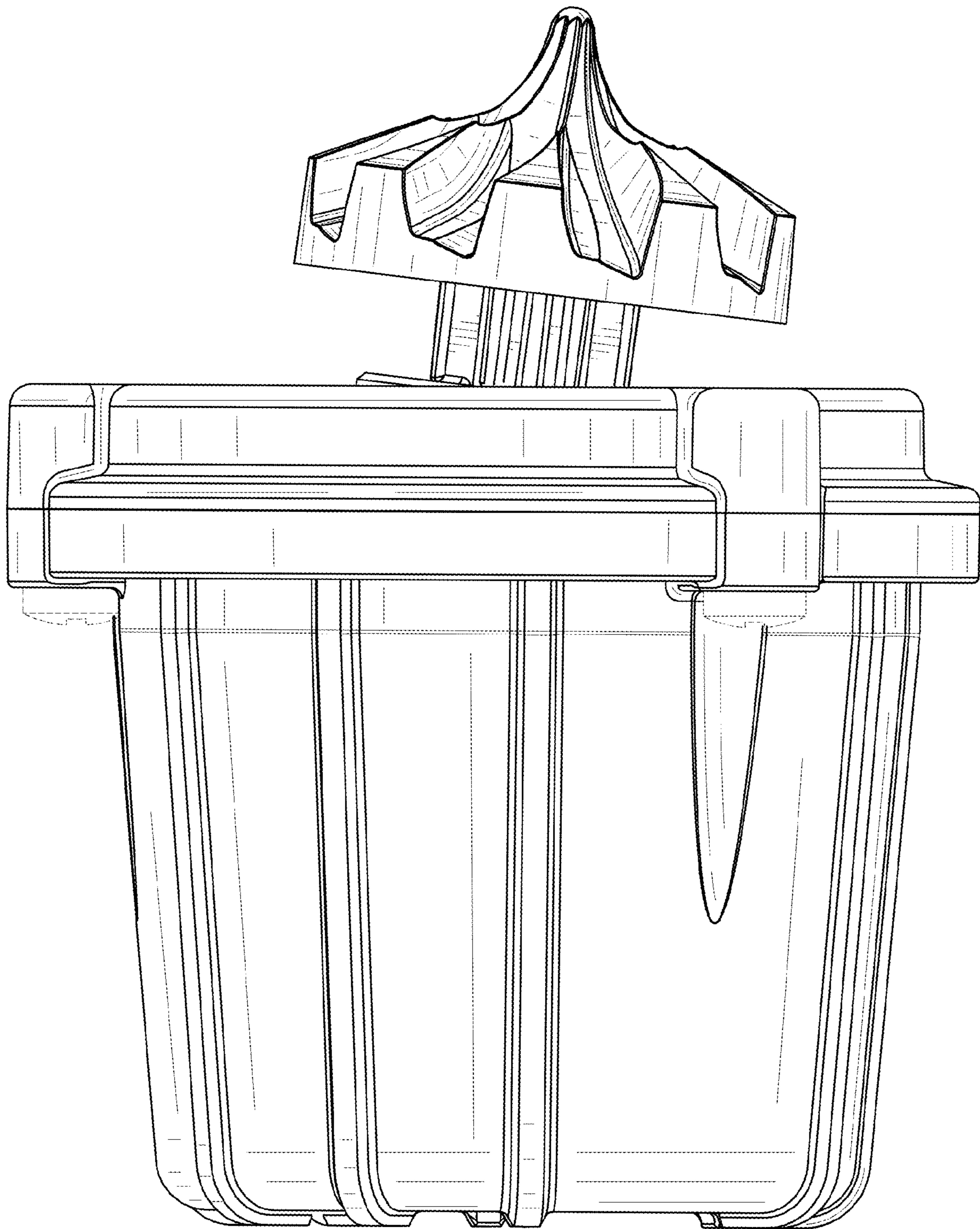


FIG. 3

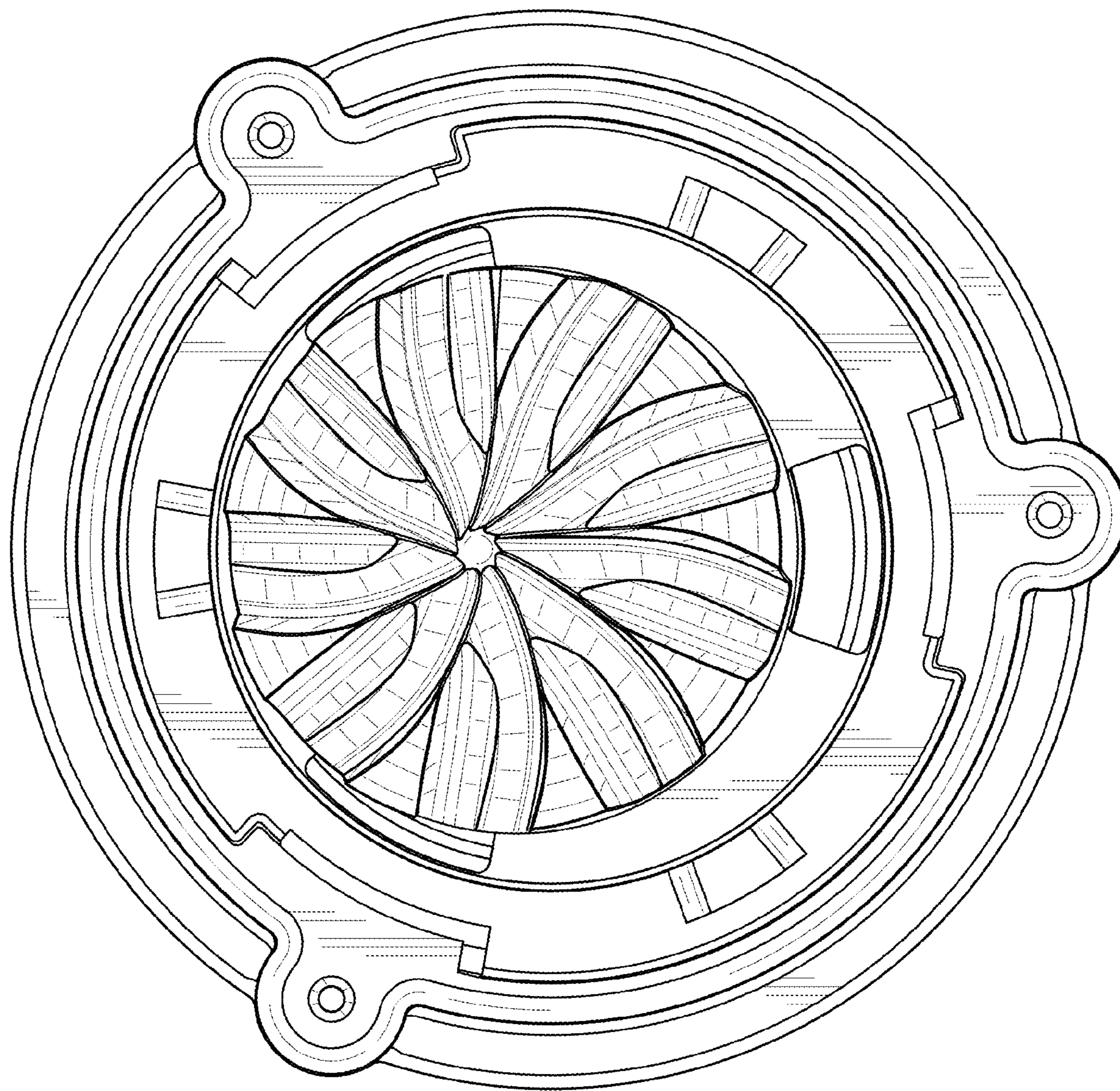


FIG. 4

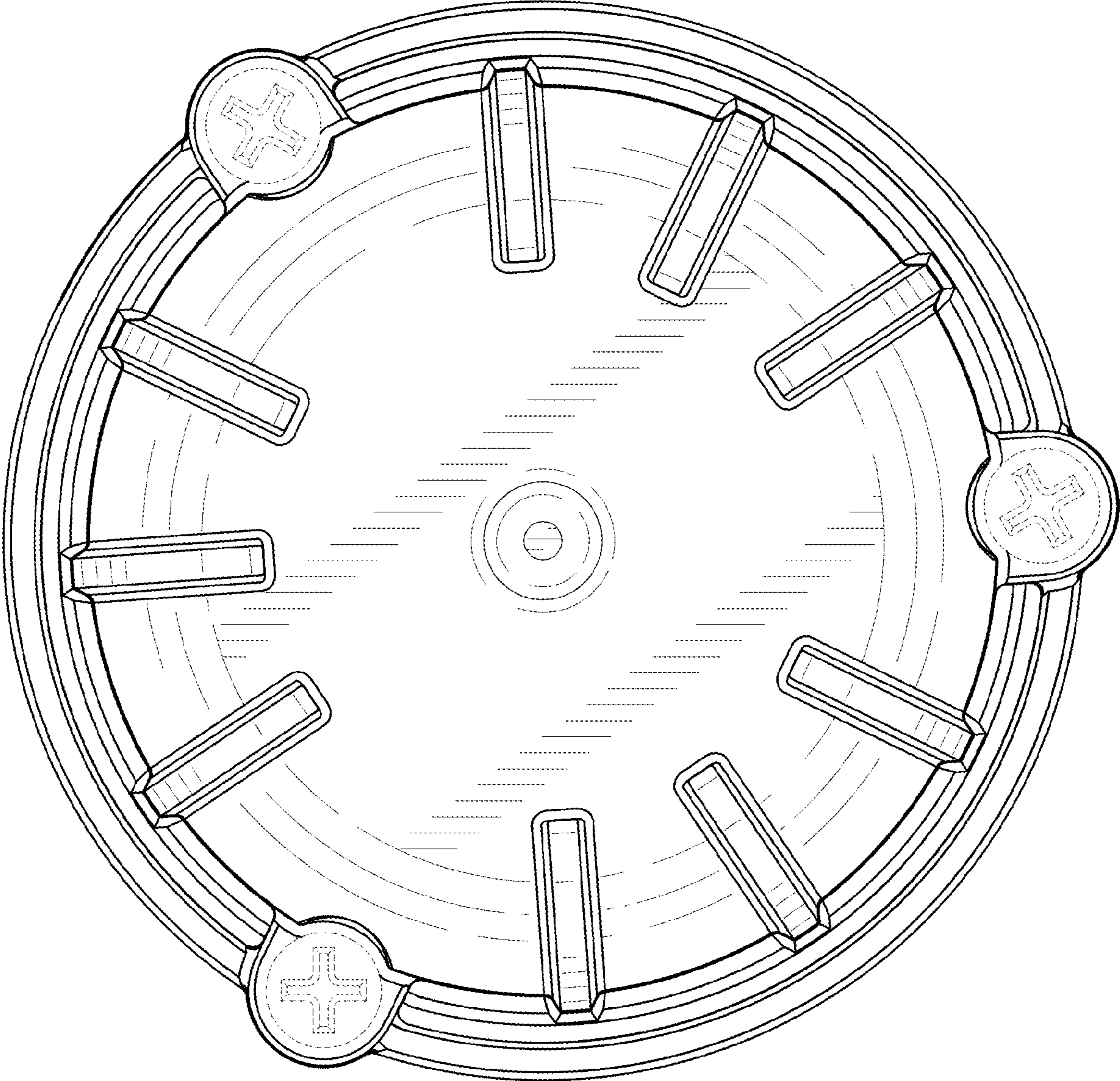


FIG. 5

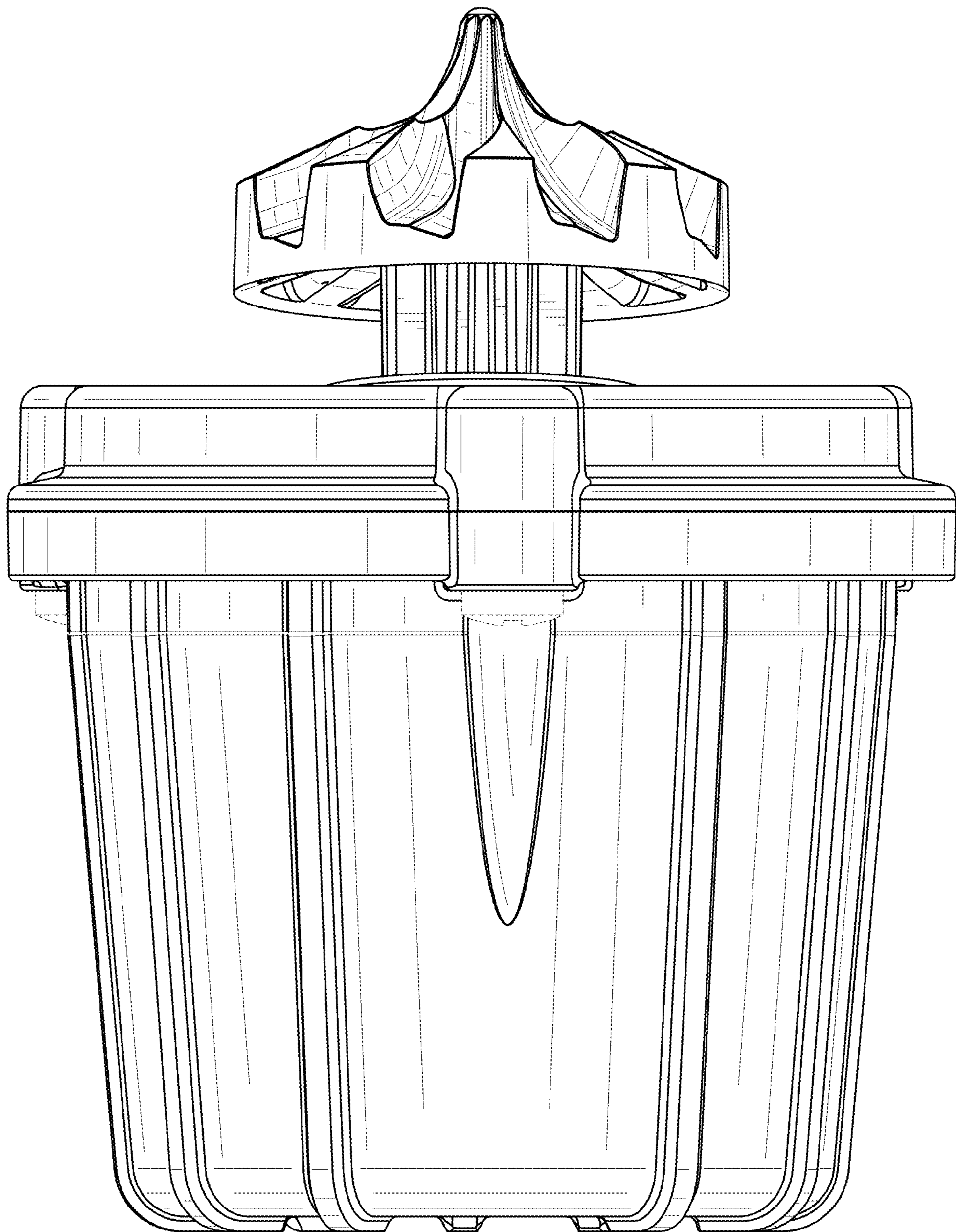


FIG. 6

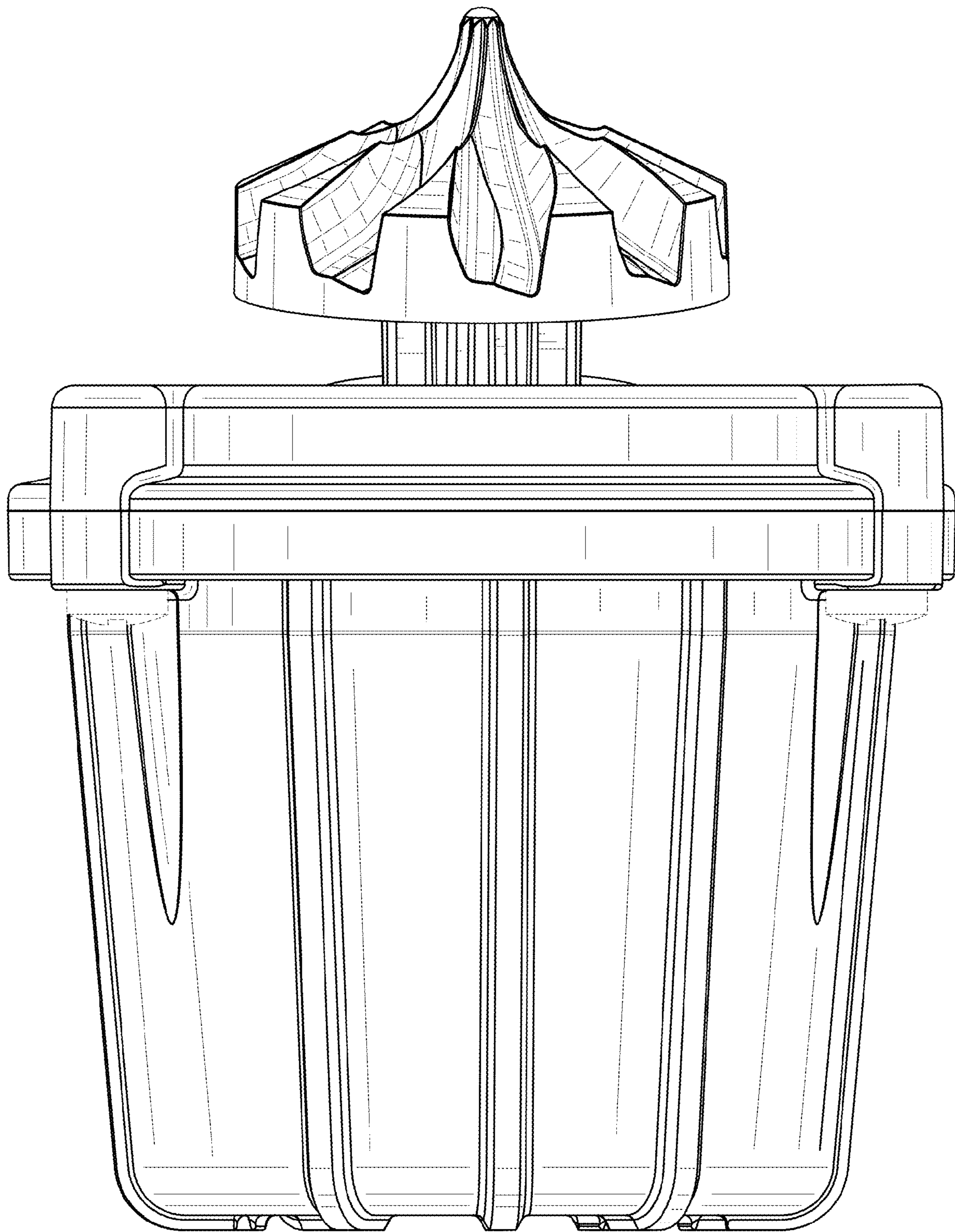


FIG. 7

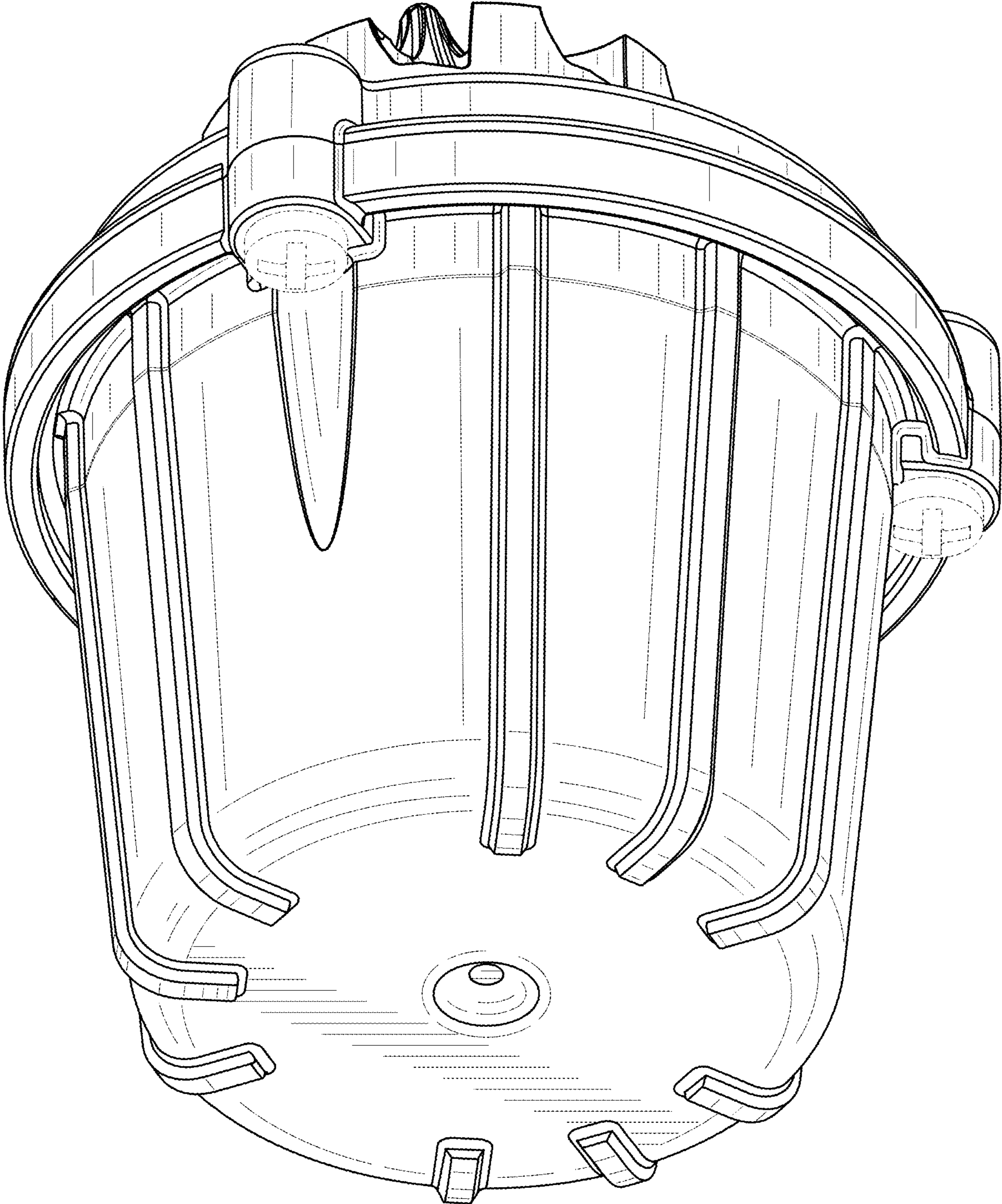


FIG. 8