



US00D882039S

(12) **United States Design Patent**
Sesser

(10) **Patent No.:** **US D882,039 S**

(45) **Date of Patent:** **** Apr. 21, 2020**

(54) **SHIELDED CAP ASSEMBLY FOR DROP
TUBE RIGID MOUNT ORBITOR**

(71) Applicant: **Nelson Irrigation Corporation**, Walla
Walla, WA (US)

(72) Inventor: **George L. Sesser**, Walla Walla, WA
(US)

(73) Assignee: **NELSON IRRIGATION
CORPORATION**, Walla Walla, WA
(US)

(**) Term: **15 Years**

(21) Appl. No.: **29/656,177**

(22) Filed: **Jul. 11, 2018**

(51) **LOC (12) Cl.** **23-01**

(52) **U.S. Cl.**
USPC **D23/214**

(58) **Field of Classification Search**
USPC D23/213, 214, 221, 222, 223, 226, 227,
D23/229, 230, 364, 366; D8/8; D9/521,
D9/529, 687; D12/400; D15/139;
D32/41, 42, 49; D4/118
CPC A62C 31/02; A62C 31/03; B05B 1/304;
B05B 1/308; B65D 47/247; B65D 47/24;
B65D 47/32; B65D 47/06
See application file for complete search history.

(56) **References Cited**

U.S. PATENT DOCUMENTS

D253,364 S *	11/1979	McFadden	239/222.21
D260,169 S *	8/1981	Vikre	D23/214
D312,865 S *	12/1990	Davisson	D23/214
5,620,141 A *	4/1997	Chiang	B05B 3/0422 239/206
D567,329 S *	4/2008	Holmes	D23/214
D721,419 S *	1/2015	Koiwa	D23/214
2006/0006254 A1 *	1/2006	Meyer	B05B 3/005 239/214

2006/0108445 A1 *	5/2006	Pinch	B05B 3/005 239/222.21
2009/0224070 A1 *	9/2009	Clark	B05B 15/70 239/222.17
2010/0038450 A1 *	2/2010	Sesser	B05B 3/008 239/222.17
2017/0333924 A1 *	11/2017	Sesser	B05B 3/005
2018/0311684 A1 *	11/2018	Lawyer	B05B 1/265
2019/0054480 A1 *	2/2019	Sesser	B05B 3/0486

OTHER PUBLICATIONS

Nelson Orbitor reference [Jul. 10, 2019] found online [Jul. 10, 2019]—<https://www.nelsonirrigation.com/products/family/pivot-sprinklers/o3030-orbitor>.*

* cited by examiner

Primary Examiner — Brandon M Rosati

Assistant Examiner — John A Voytek

(74) *Attorney, Agent, or Firm* — Nixon & Vanderhye P.C.

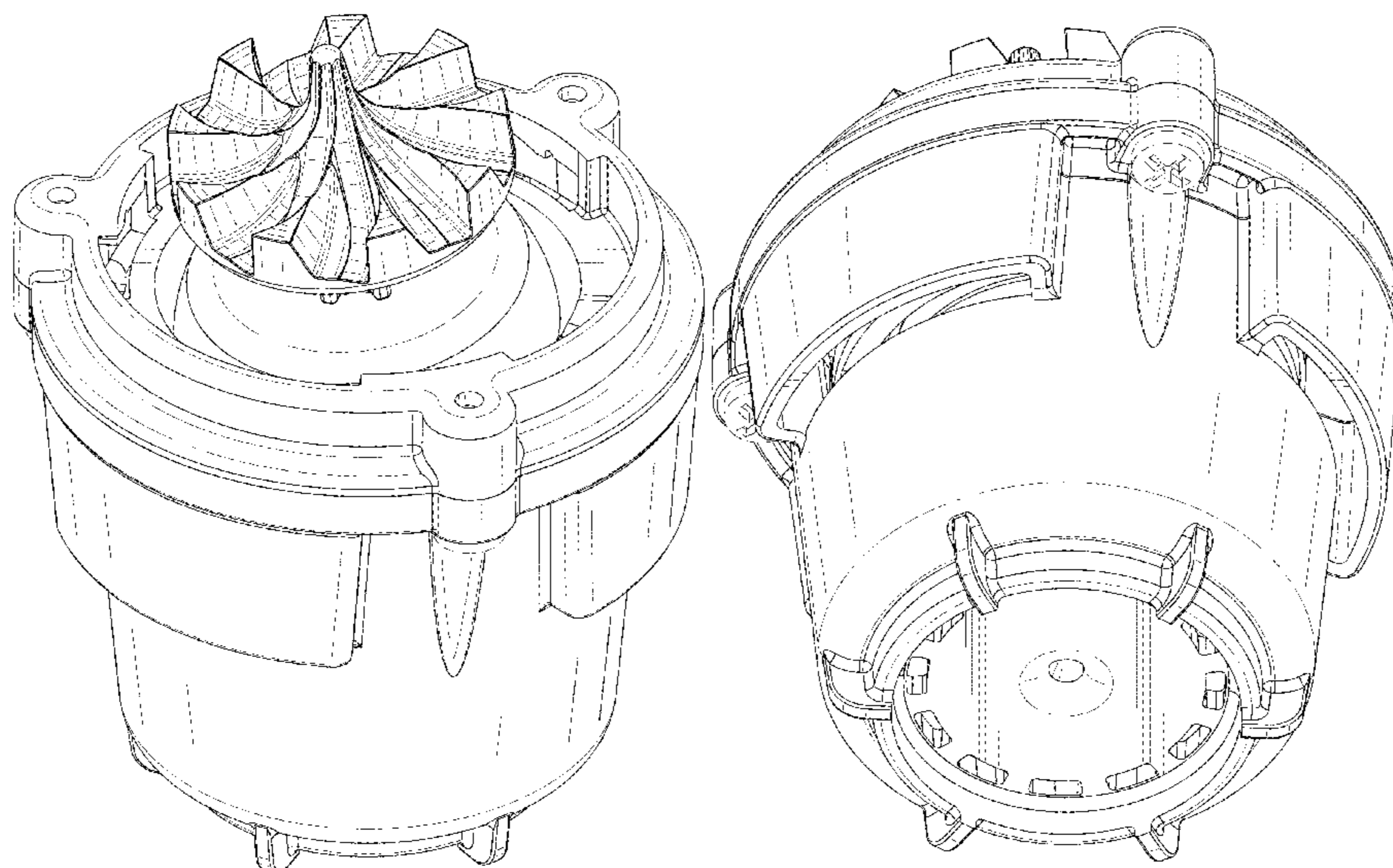
(57) **CLAIM**

The ornamental design for a shielded cap assembly for drop tube rigid mount orbitor as shown and described.

DESCRIPTION

FIG. 1 is a top perspective view of a shielded cap assembly for a drop tube rigid mount orbitor according to the invention;
FIG. 2 is a side view thereof;
FIG. 3 is an opposite side view thereof;
FIG. 4 is a top view thereof;
FIG. 5 is a bottom view thereof;
FIG. 6 is a front view thereof;
FIG. 7 is a rear view thereof; and,
FIG. 8 is a bottom perspective view thereof.
The broken lines in the drawings show portions of the shielded cap assembly for drop tube rigid mount orbitor that form no part of the claimed design.

1 Claim, 8 Drawing Sheets



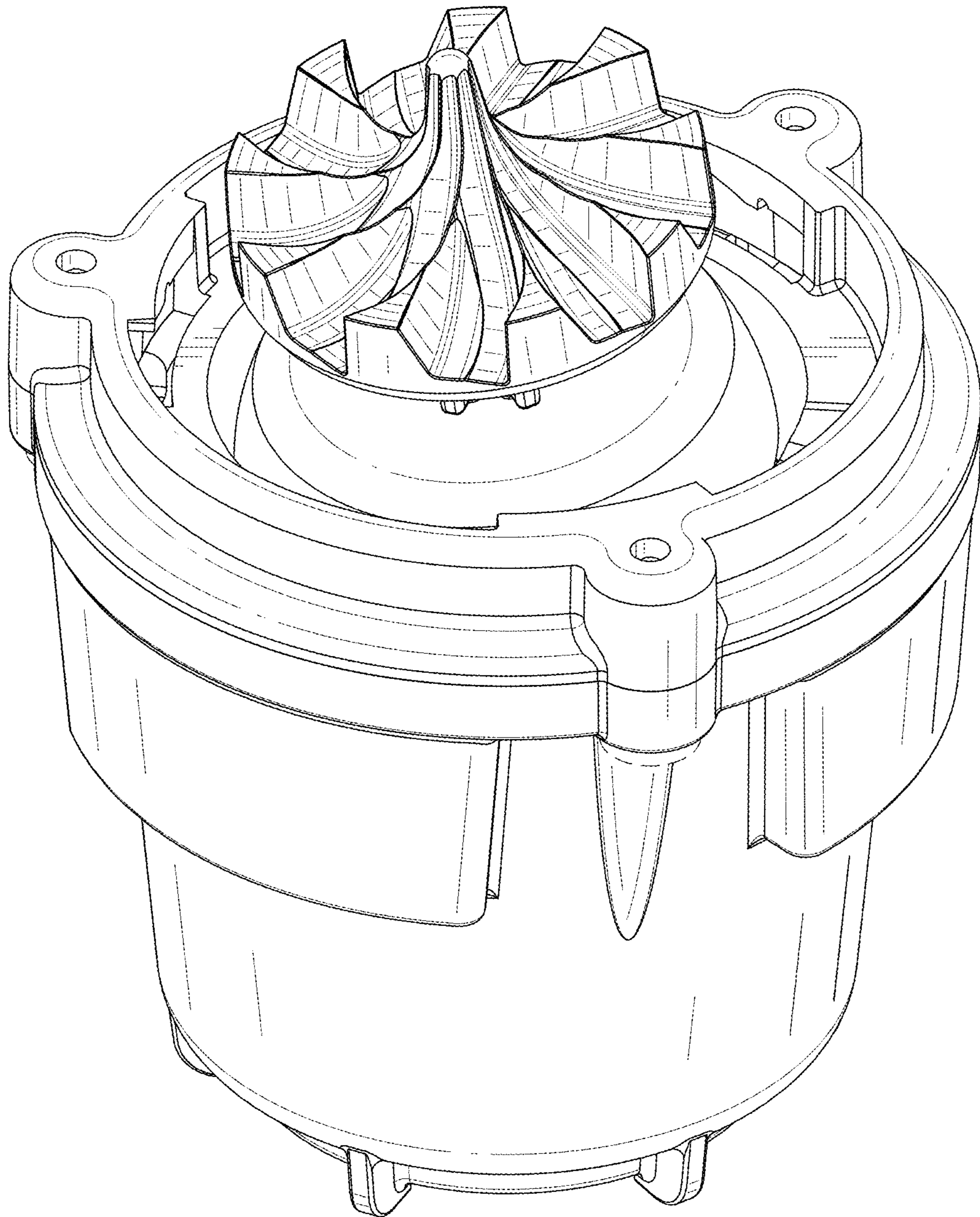


Fig. 1

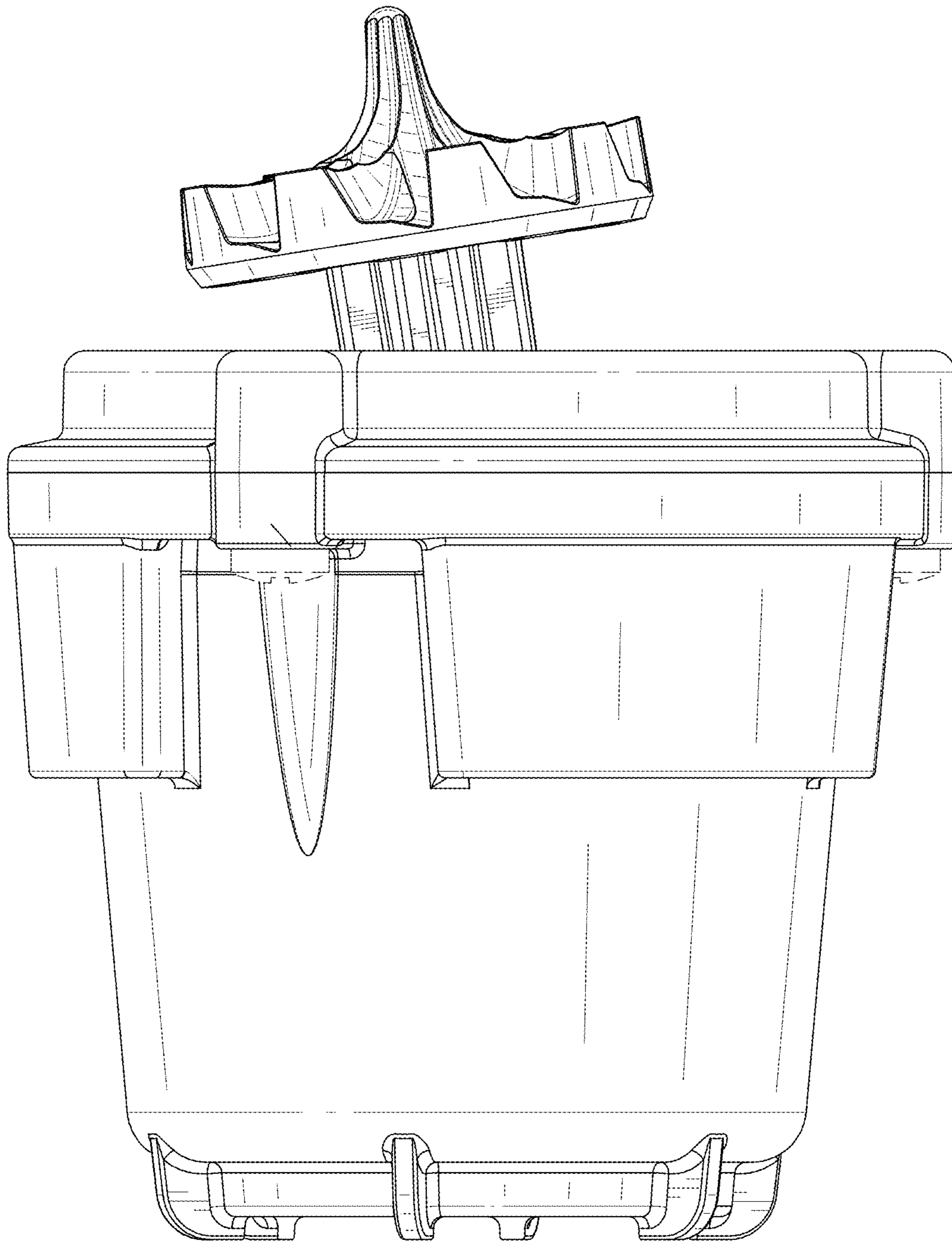


Fig. 2

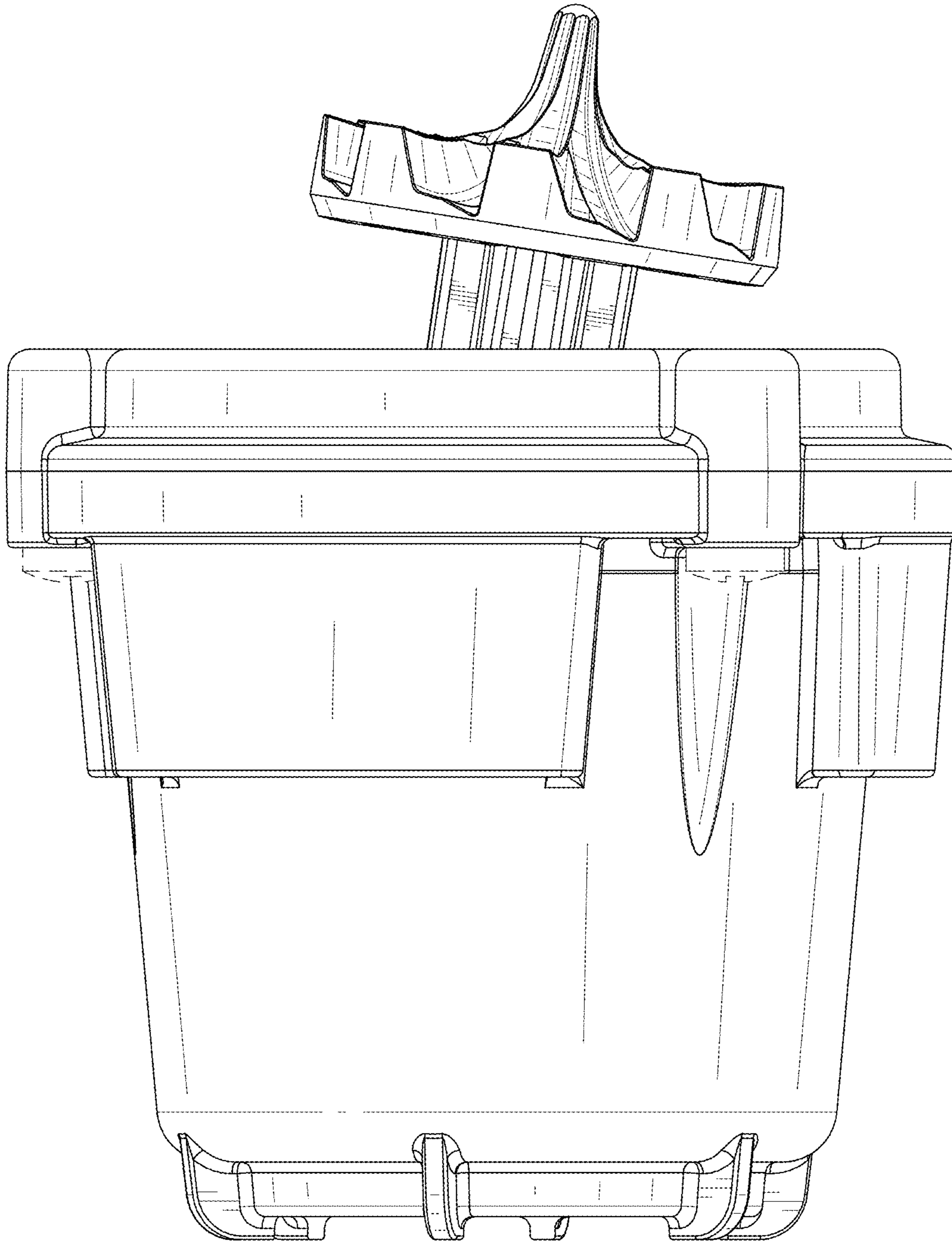


Fig. 3

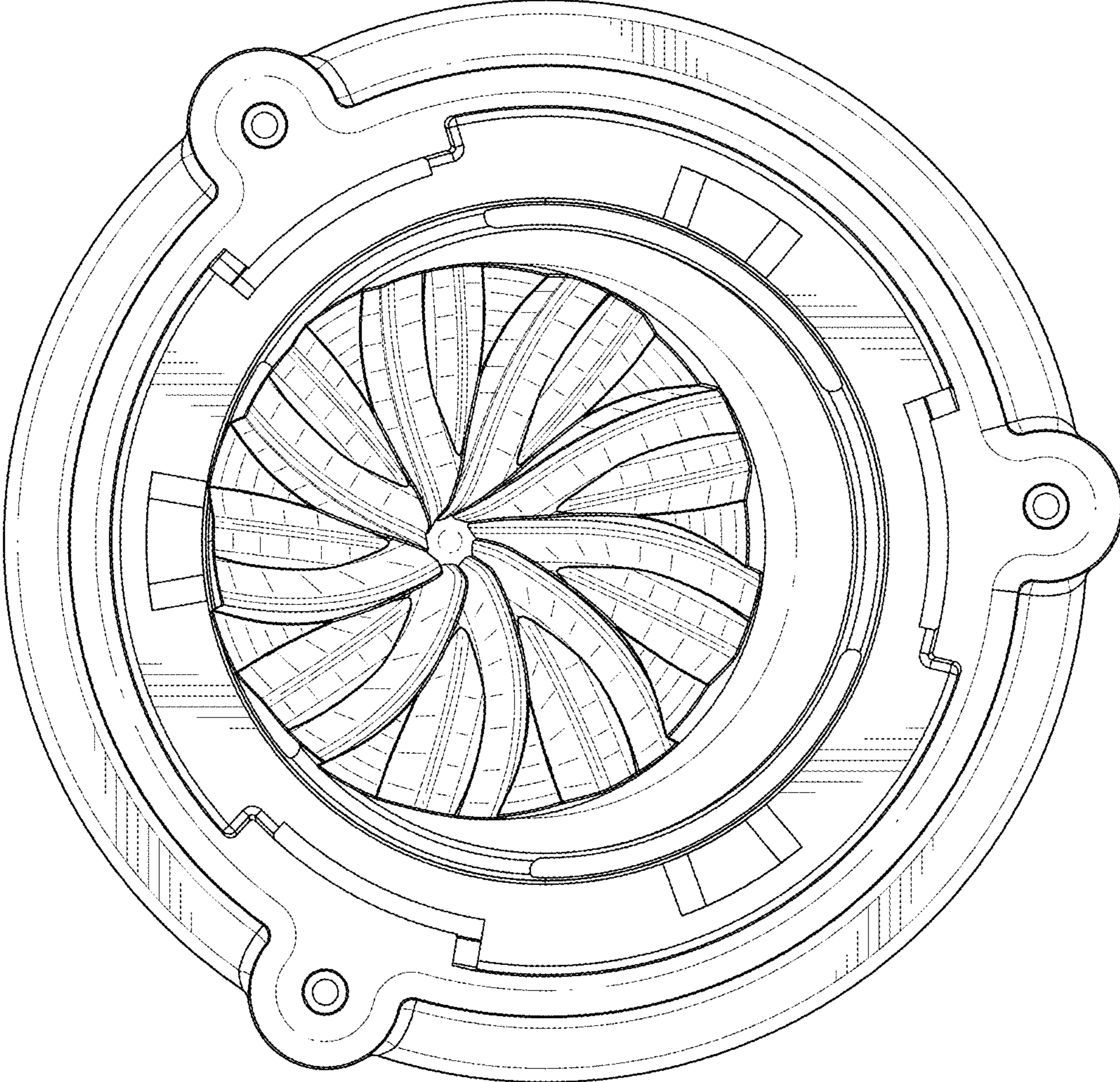


Fig. 4

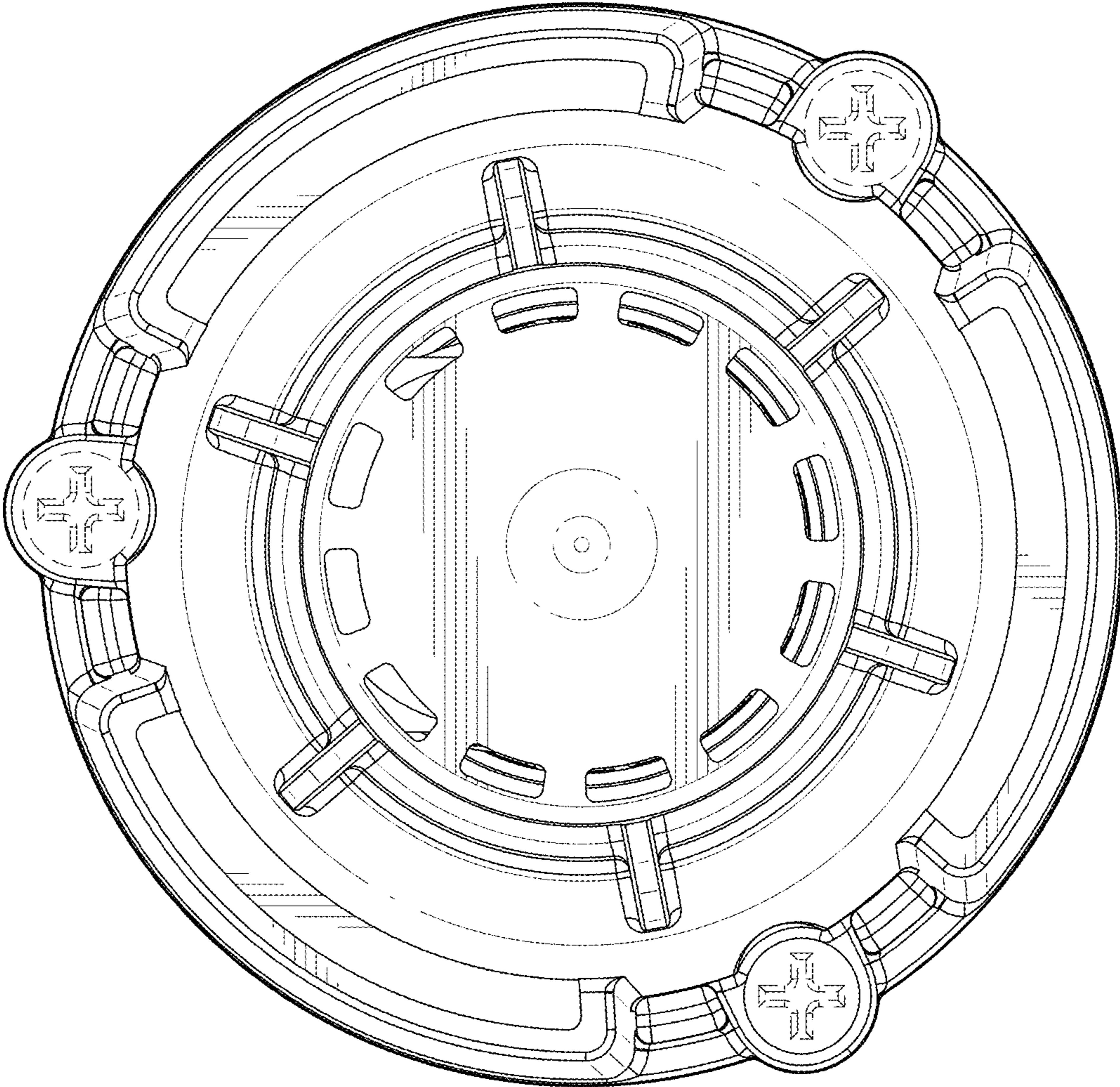


Fig. 5

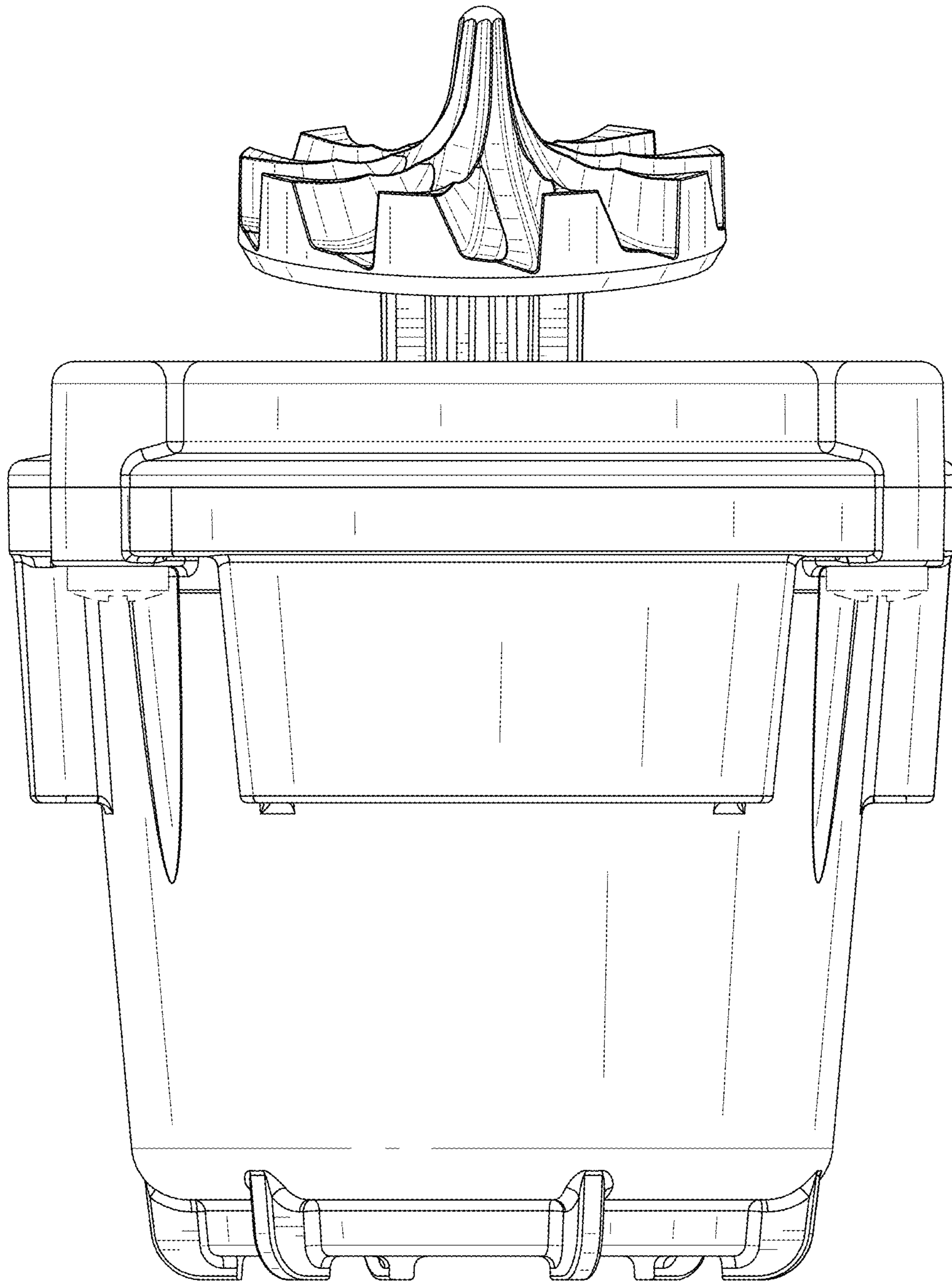


Fig. 6

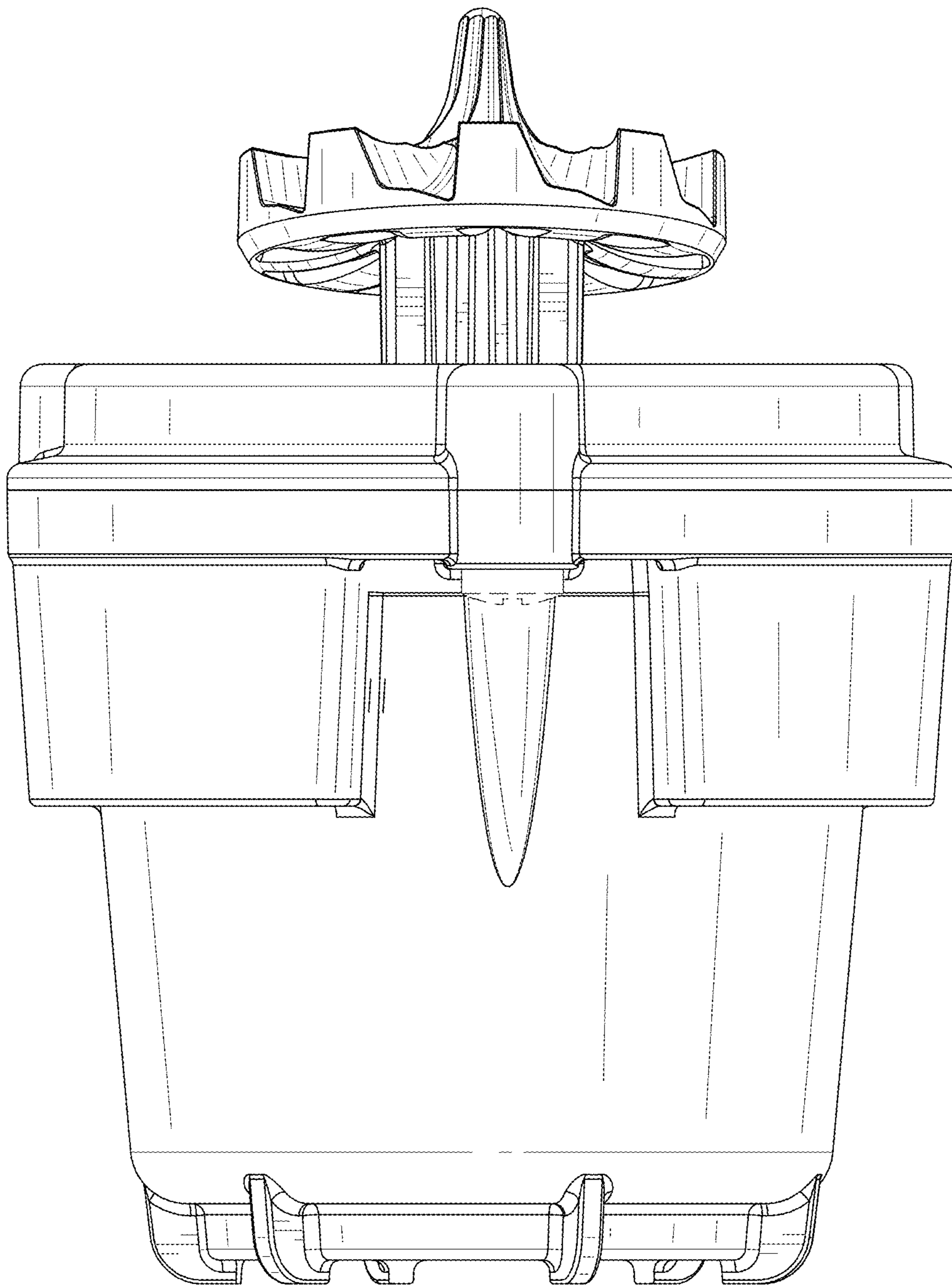


Fig. 7

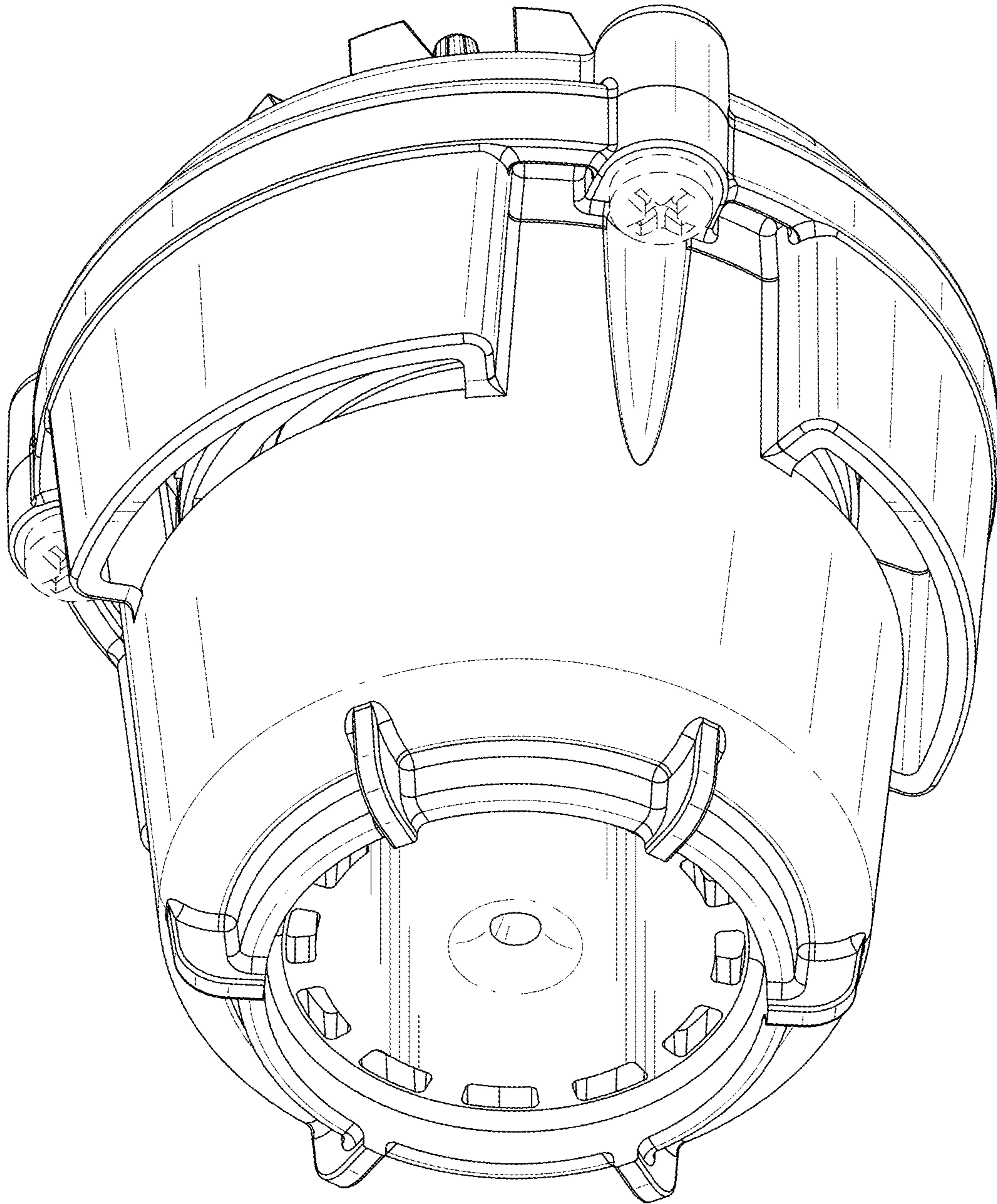


Fig. 8