



US00D882035S

(12) **United States Design Patent**
Kremerman

(10) **Patent No.:** **US D882,035 S**

(45) **Date of Patent:** **** Apr. 21, 2020**

(54) **END CAP ADAPTER FOR A GLASS HOSE**

(71) Applicant: **Elliot Kremerman**, Scotts Valley, CA
(US)

(72) Inventor: **Elliot Kremerman**, Scotts Valley, CA
(US)

(**) Term: **15 Years**

(21) Appl. No.: **29/654,584**

(22) Filed: **Jun. 26, 2018**

(51) **LOC (12) Cl.** **23-01**

(52) **U.S. Cl.**
USPC **D23/206**

(58) **Field of Classification Search**
USPC D23/200, 206, 207, 209, 260, 262, 266,
D23/366; D15/79, 81; D7/306;
D14/140.4, 188, 496; D24/127
CPC B65D 47/06; A61M 15/086; A61M 15/00;
A61M 11/001; A61M 15/009
See application file for complete search history.

(56) **References Cited**

U.S. PATENT DOCUMENTS

D359,683 S *	6/1995	Beach	D9/434
D437,934 S *	2/2001	Wilkinson	D23/248
D452,343 S *	12/2001	Pan	D26/138
D493,214 S *	7/2004	Snyder, Sr.	D23/262
D627,039 S *	11/2010	Yu	D23/260
D631,542 S *	1/2011	DeGross	D24/129
D676,943 S *	2/2013	Kluss	D23/262
D709,995 S *	7/2014	Crabbe	D23/262

D768,489 S *	10/2016	Indruk	D9/447
D805,629 S *	12/2017	Fiorenza	D24/110
D805,637 S *	12/2017	Bureau	D24/130
D853,183 S *	7/2019	Adams, Jr.	D7/392.1
D853,535 S *	7/2019	Norton	D23/266

OTHER PUBLICATIONS

RosinPower Stainless Steel Adapter reference [Feb. 28, 2020] found online [Feb. 28, 2020]—<https://www.rosinpower.com/best-value-vacs-stainless-steel-24-40-x-kf-25-adapter.html>.*

* cited by examiner

Primary Examiner — Brandon M Rosati

Assistant Examiner — John A Voytek

(74) *Attorney, Agent, or Firm* — Michael J. Feigin, Esq.;
Feigin and Fridman LLC

(57) **CLAIM**

The ornamental design for a end cap adapter for a glass hose, as shown and described.

DESCRIPTION

FIG. 1 shows a top and side perspective view of an end cap adapter for a glass hose.

FIG. 2 shows a bottom and reverse side perspective view thereof.

FIG. 3 shows a front view, the reverse side being a mirror image thereof.

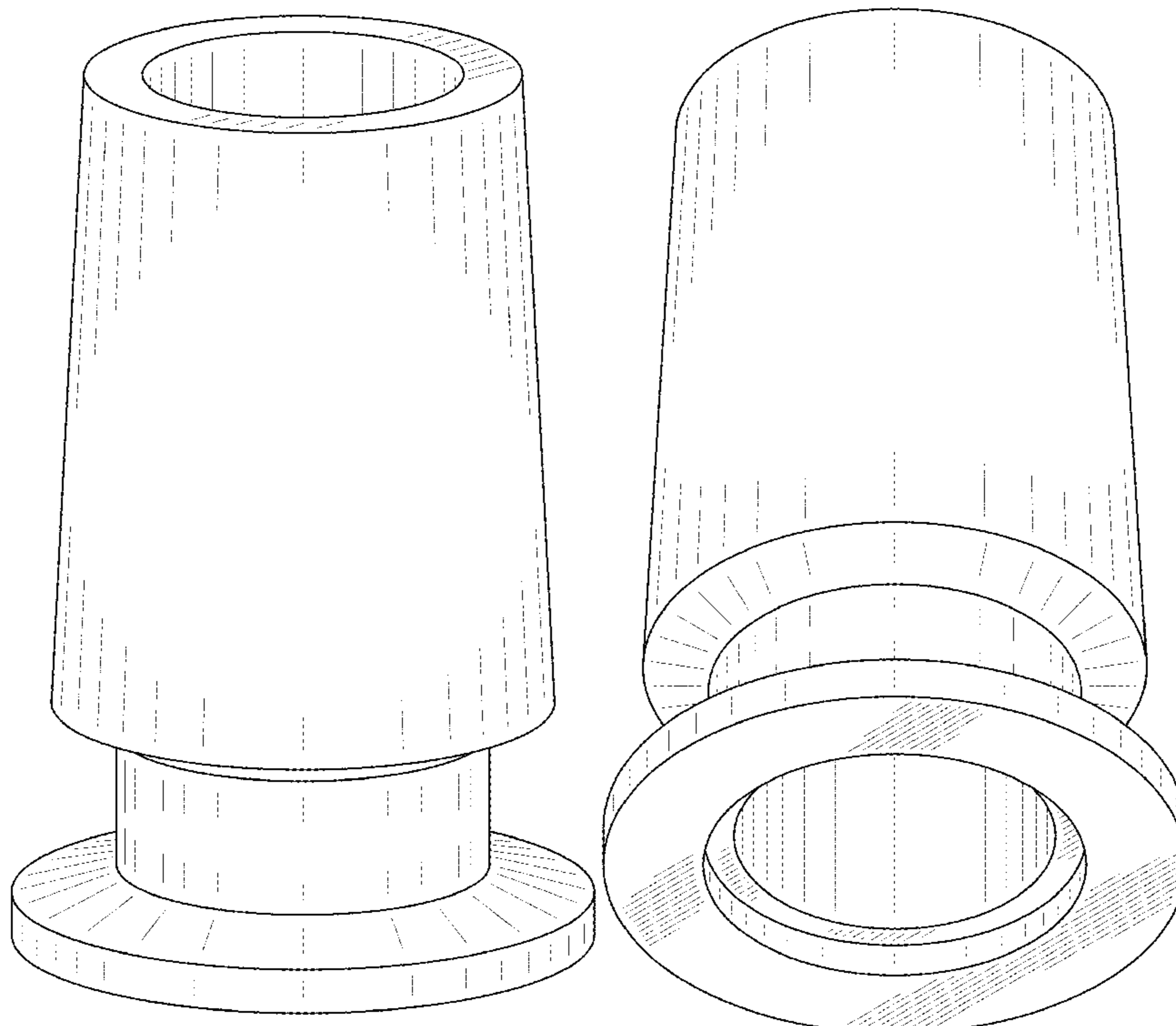
FIG. 4 shows a side view thereof, the reverse side being a mirror image thereof.

FIG. 5 shows a top plan view thereof.

FIG. 6 shows a bottom plan view thereof; and,

FIG. 7 shows a cutaway view of the front along section line 7-7 of FIG. 5.

1 Claim, 6 Drawing Sheets



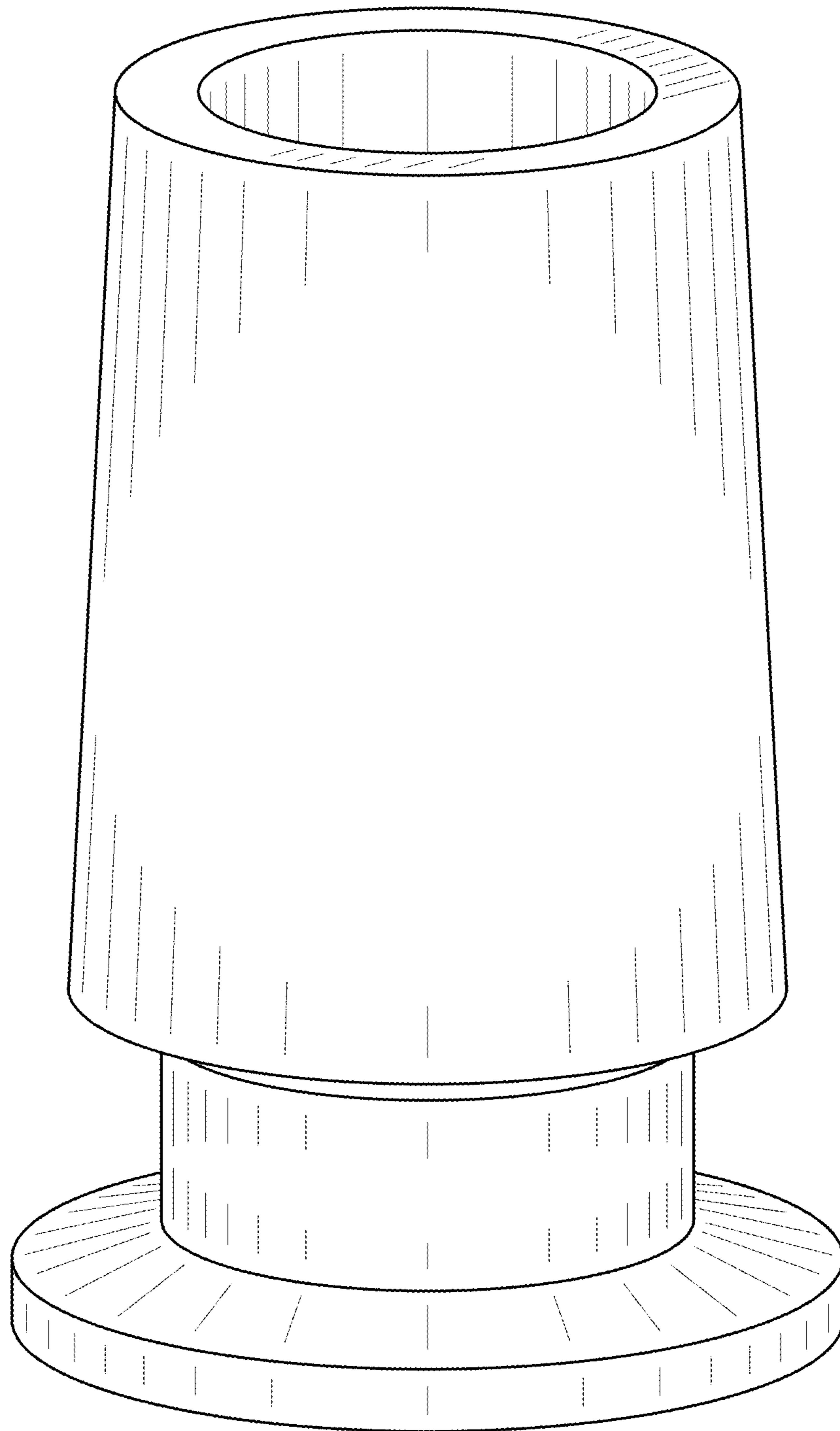


FIG. 1

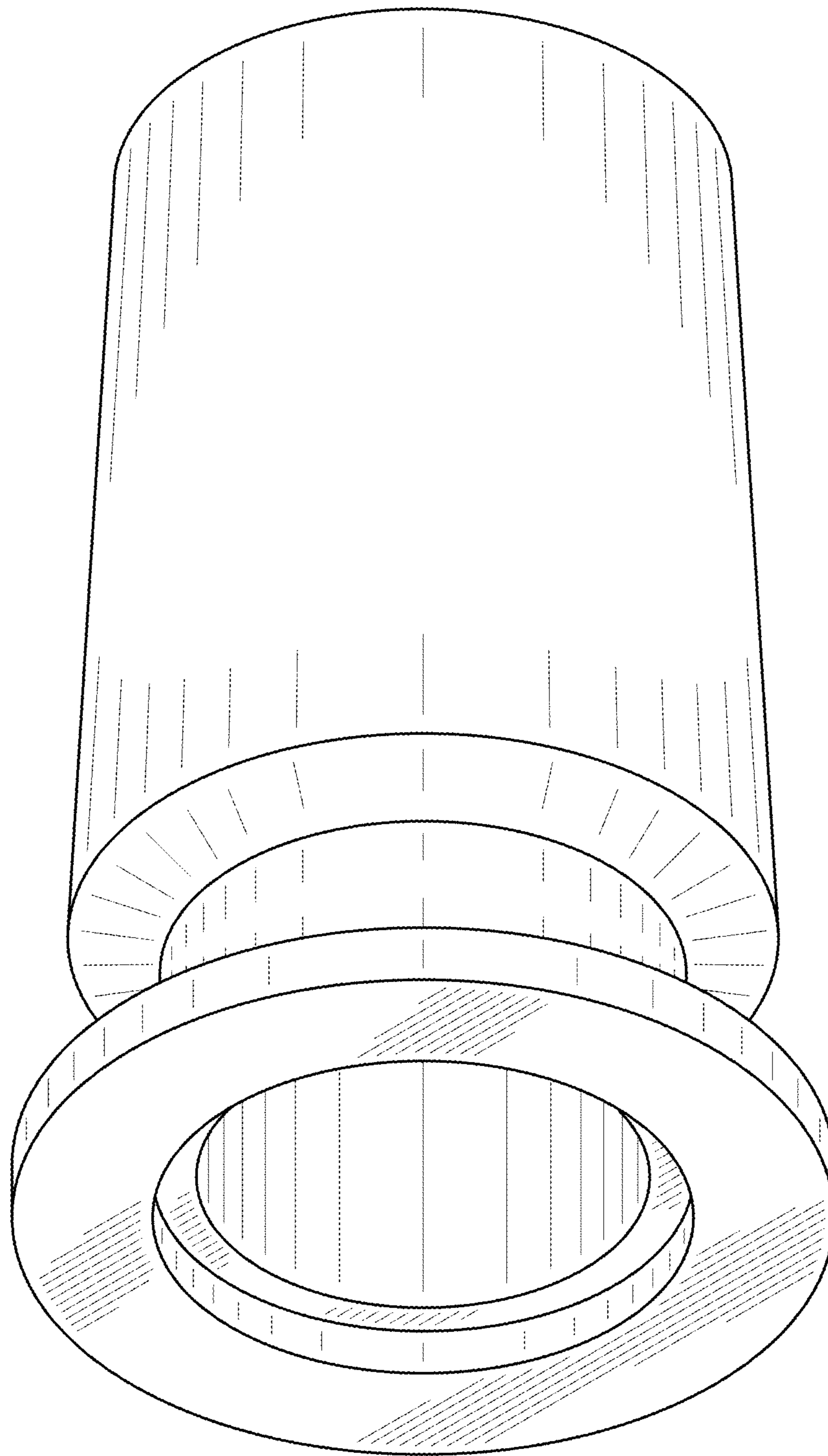


FIG. 2

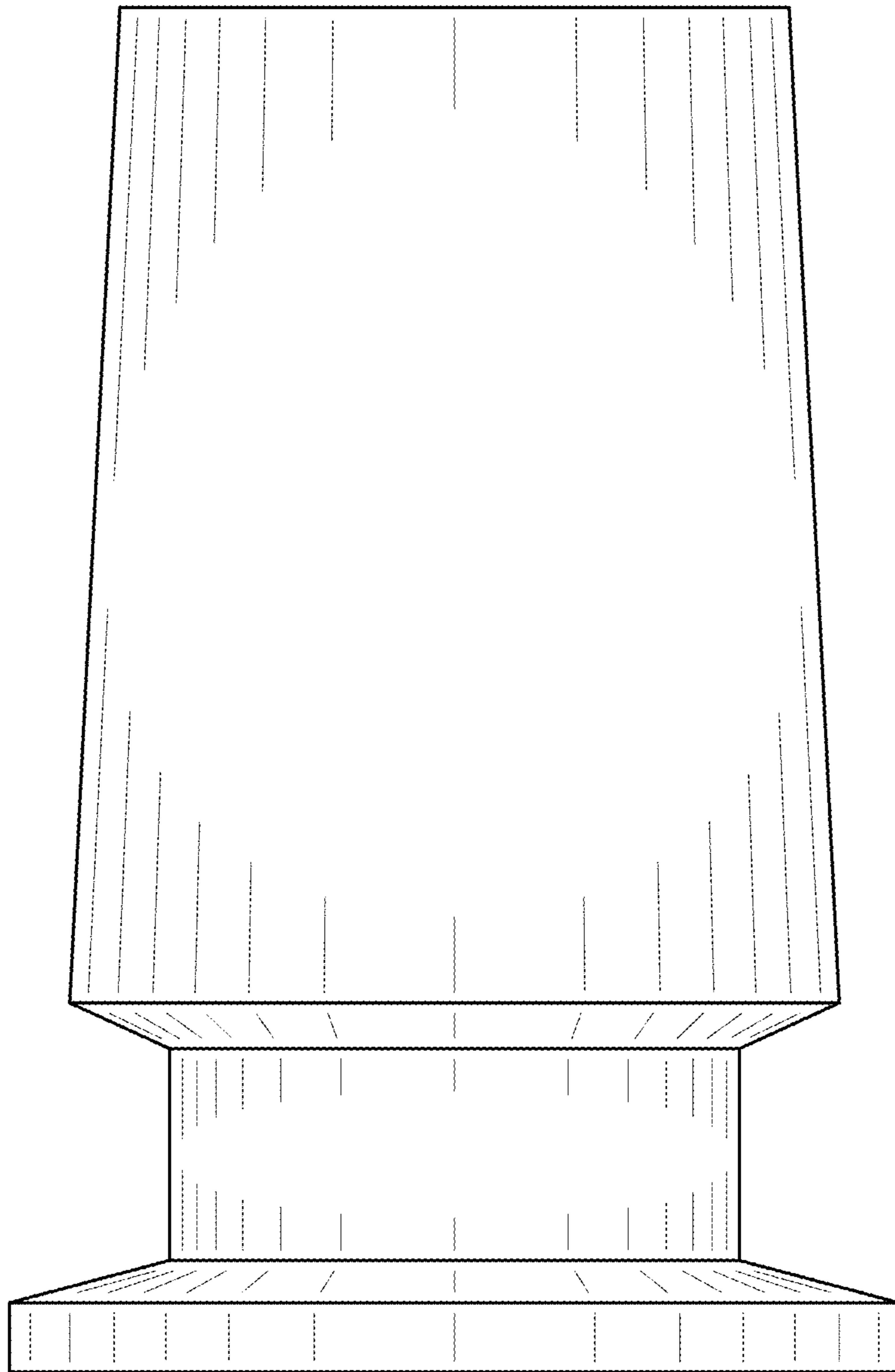


FIG. 3

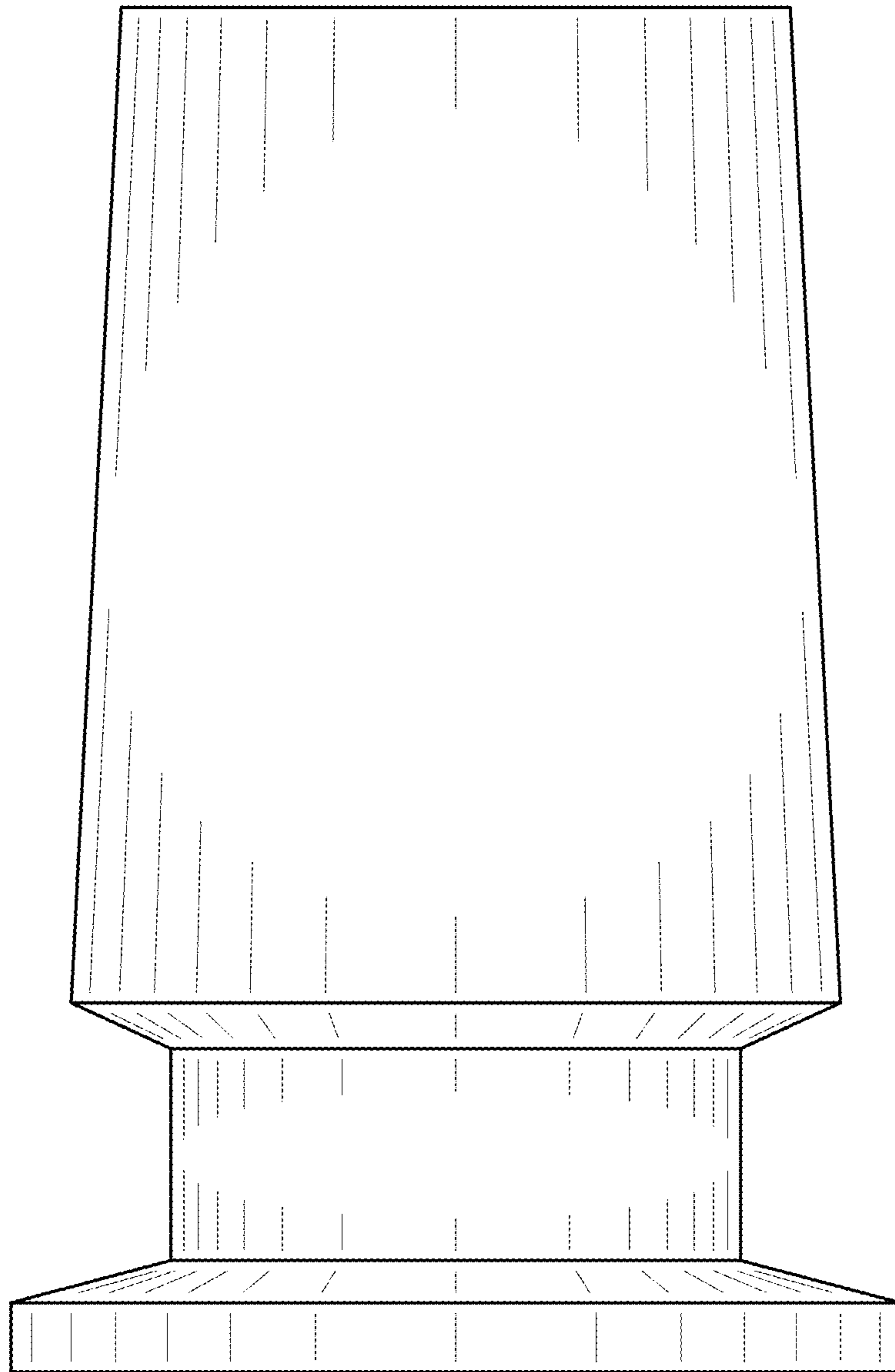


FIG. 4

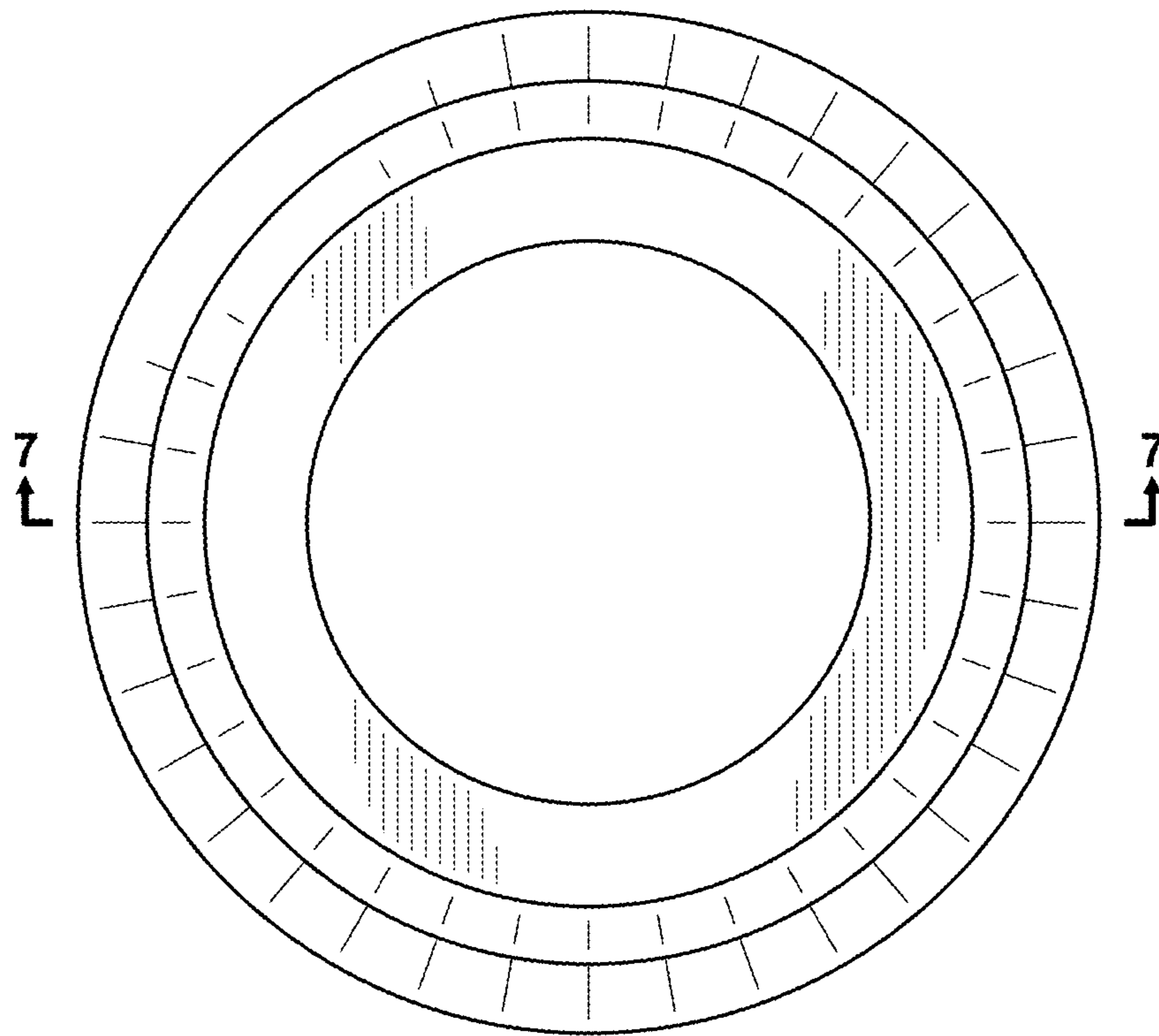


FIG. 5

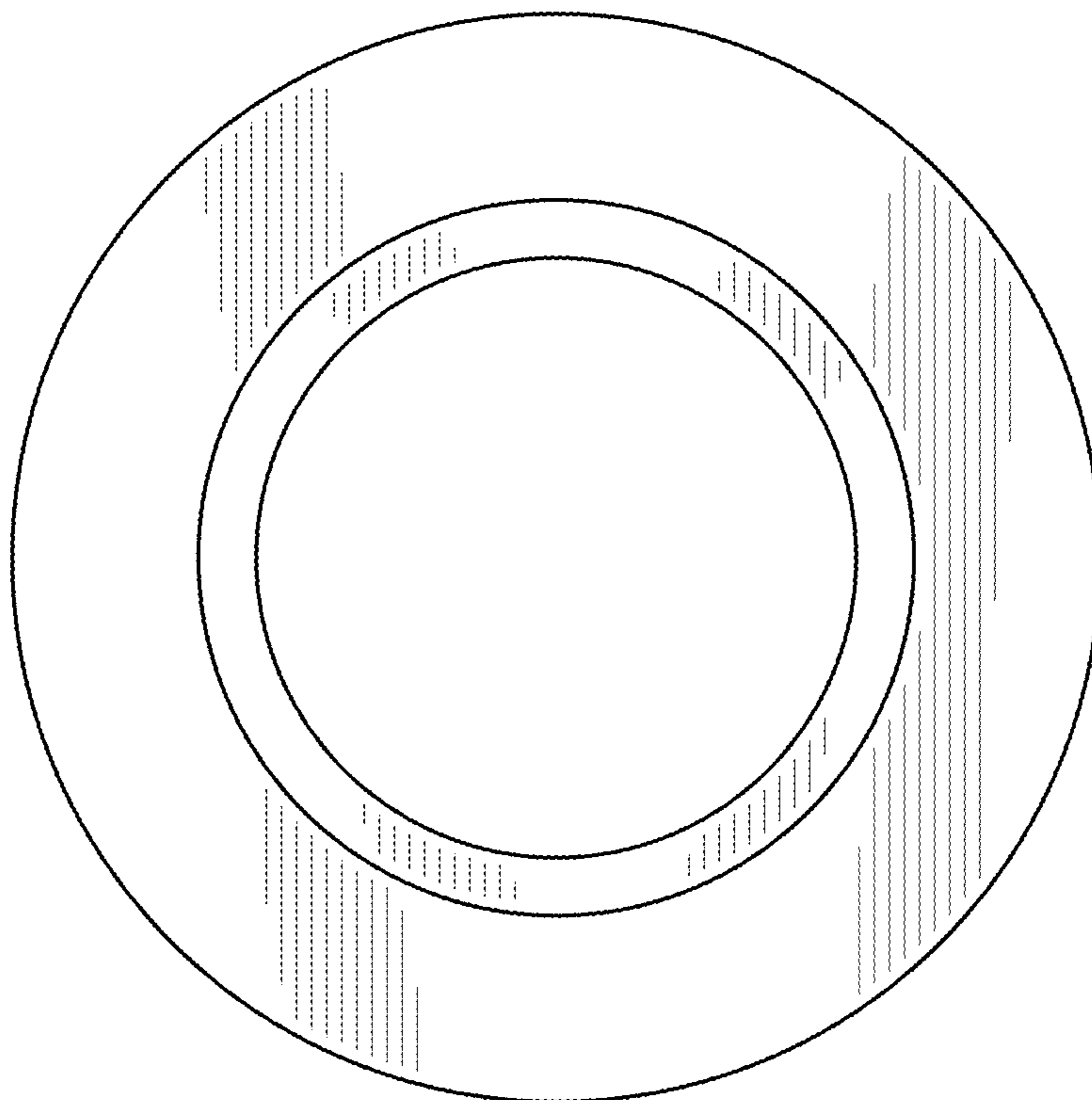


FIG. 6

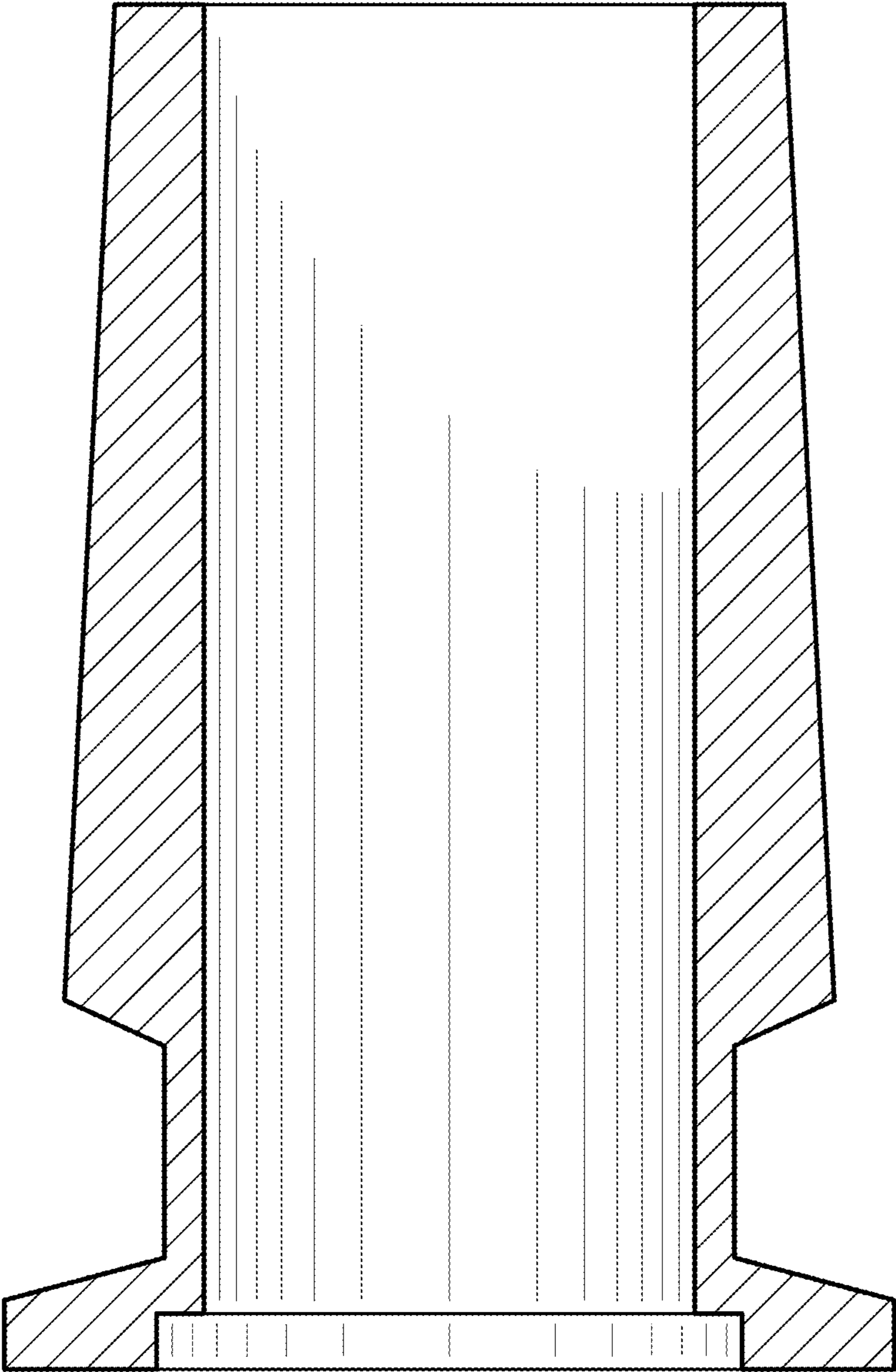


FIG. 7