



US00D882033S

(12) **United States Design Patent**
Burrow et al.

(10) **Patent No.:** **US D882,033 S**
(45) **Date of Patent:** **** Apr. 21, 2020**

- (54) **AMMUNITION CARTRIDGE**
- (71) Applicant: **TRUE VELOCITY IP HOLDINGS, LLC**, Garland, TX (US)
- (72) Inventors: **Lonnie Burrow**, Carrollton, TX (US); **Christopher William Overton**, Richardson, TX (US)

963,911 A 7/1910 Loeble
 1,060,817 A 5/1913 Clyne
 1,936,905 A 11/1933 Gaidos
 1,940,657 A 12/1933 Woodford
 2,294,822 A 9/1942 Norman
 2,465,962 A 3/1949 Allen et al.
 2,654,319 A 10/1953 Roske

(Continued)

- (73) Assignee: **TRUE VELOCITY IP HOLDINGS, LLC**, Garland, TX (US)

FOREIGN PATENT DOCUMENTS

CA 2813634 A1 4/2012
 DE 16742 C 1/1882

(Continued)

- (**) Term: **15 Years**

OTHER PUBLICATIONS

- (21) Appl. No.: **29/644,869**

YouTube.com—TFB TV, Published on Jul. 23, 2015, [site visited on Mar. 27, 2019], Available on the Internet URL https://www.youtube.com/watch?v=mCjNkxbxHkEE.*

(Continued)

- (22) Filed: **Apr. 20, 2018**
- (51) **LOC (12) Cl.** **22-03**
- (52) **U.S. Cl.** **D22/116**
USPC **D22/116**
- (58) **Field of Classification Search**
USPC D22/115, 116; D11/143; D7/619.1
CPC F42B 5/26-38; F42B 33/00; F42B 8/14
See application file for complete search history.

Primary Examiner — Karen S Acker
Assistant Examiner — Steven B Reinholdt, Jr.
 (74) *Attorney, Agent, or Firm* — Chainey P. Singleton

(57) **CLAIM**

- (56) **References Cited**

The ornamental design for an ammunition cartridge, as shown and described.

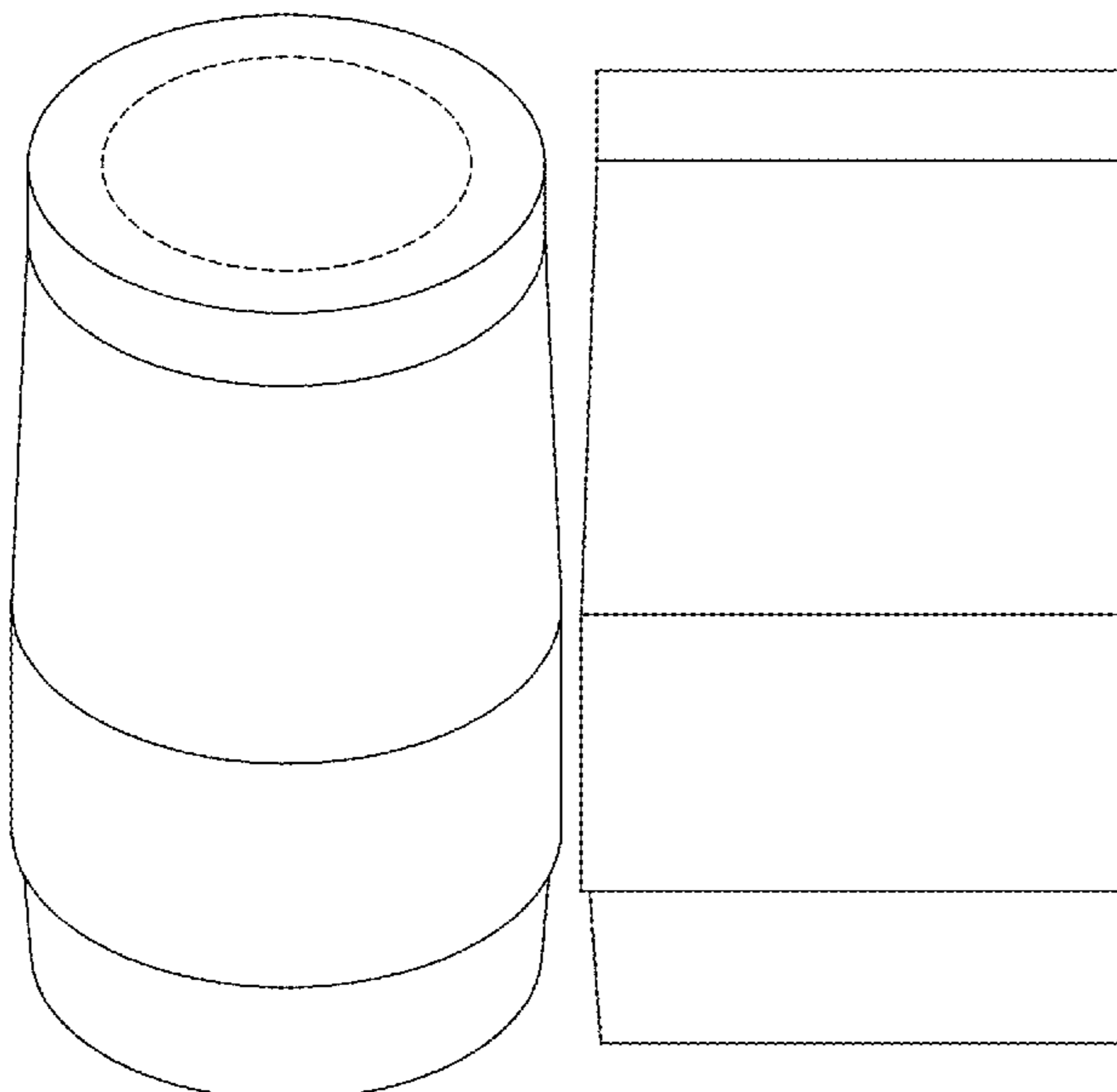
U.S. PATENT DOCUMENTS

DESCRIPTION

- 99,528 A 2/1870 Boyd
- 113,634 A 4/1871 Crispin
- 130,679 A 8/1872 Whitmore
- 159,665 A 2/1875 Gauthey
- 169,807 A 11/1875 Hart
- 462,611 A 11/1891 Comte de Sparre
- 498,856 A 6/1893 Overbaugh
- 640,856 A 1/1900 Bailey
- 662,137 A 11/1900 Telleron
- 676,000 A 6/1901 Henneberg
- 865,979 A 9/1907 Bailey
- 869,046 A 10/1907 Bailey
- 905,358 A 12/1908 Peters
- 957,171 A 5/1910 Loeb

FIG. 1 is an isometric view of an ammunition cartridge showing my new design.
 FIG. 2 is a top view of the ammunition cartridge of FIG. 1.
 FIG. 3 is a cross-sectional view taken along line 3-3 in FIG. 2 of the ammunition cartridge of FIG. 1; and,
 FIG. 4 is a side view of the ammunition cartridge of FIG. 1.
 The broken lines depict portions of the ammunition cartridge that form no part of the claim.

1 Claim, 4 Drawing Sheets



(56)

References Cited

U.S. PATENT DOCUMENTS

2,823,611	A	2/1958	Thayer		6,357,357	B1	3/2002	Glasser	
2,862,446	A	12/1958	Lars		D455,052	S *	4/2002	Gullickson	D7/619.1
2,918,868	A	12/1959	Lars		D455,320	S *	4/2002	Edelstein	D7/619.1
3,099,958	A	8/1963	Daubenspeck et al.		6,375,971	B1	4/2002	Hansen	
3,104,498	A *	9/1963	Miller	A01G 9/021	6,382,449	B1 *	5/2002	Kazmierski	B65D 3/14
				215/12.2					220/4.03
3,128,029	A *	4/1964	Price	B65D 1/265	6,450,099	B1	9/2002	Desgland	
				220/DIG. 14	6,460,464	B1	10/2002	Attarwala	
3,159,701	A	12/1964	Herter		6,523,476	B1	2/2003	Riess et al.	
3,170,401	A	2/1965	Johnson et al.		D478,530	S *	8/2003	Sachuk	D11/143
3,171,350	A	3/1965	Metcalf et al.		6,708,621	B1	3/2004	Forichon-Chaumet et al.	
3,242,789	A	3/1966	Woodring		6,752,084	B1	6/2004	Husseini et al.	
3,292,538	A	12/1966	Hans et al.		6,840,149	B2	1/2005	Beal	
3,485,170	A	12/1969	Scanlon		7,032,492	B2	4/2006	Meshirer	
3,485,173	A	12/1969	Morgan		D540,710	S *	4/2007	Charrin	D11/147
3,609,904	A	10/1971	Scanlon		7,204,191	B2	4/2007	Wiley et al.	
3,659,528	A	5/1972	Santala		7,213,519	B2	5/2007	Wiley et al.	
3,688,699	A	9/1972	Horn et al.		7,231,519	B2	6/2007	Joseph et al.	
3,690,256	A	9/1972	Schnitzer		7,232,473	B2	6/2007	Elliott	
3,745,924	A	7/1973	Scanlon		7,299,750	B2	11/2007	Schikora et al.	
3,749,021	A	7/1973	Burgess		7,353,756	B2	4/2008	Leasure	
3,756,156	A	9/1973	Schuster		7,392,746	B2	7/2008	Hansen	
3,765,297	A	10/1973	Skochko et al.		D583,927	S *	12/2008	Benner	D24/106
3,768,413	A	10/1973	Ramsay		7,461,597	B2	12/2008	Brunn	
3,797,396	A	3/1974	Reed		7,585,166	B2	9/2009	Buja	
3,842,739	A	10/1974	Scanlon et al.		7,610,858	B2	11/2009	Chung	
3,866,536	A	2/1975	Greenberg		7,750,091	B2	7/2010	Maljkovic et al.	
3,874,294	A	4/1975	Hale		D626,619	S *	11/2010	Gogol	D22/116
3,955,506	A	5/1976	Luther et al.		D631,699	S *	2/2011	Moreau	D7/509
3,977,326	A	8/1976	Anderson et al.		D633,166	S *	2/2011	Richardson	D22/116
3,990,366	A	11/1976	Scanlon		7,930,977	B2	4/2011	Klein	
4,020,763	A	5/1977	Iruetagoyena		8,007,370	B2	8/2011	Hirsch et al.	
4,147,107	A	4/1979	Ringdal		8,056,232	B2	11/2011	Patel et al.	
4,157,684	A	6/1979	Clausser		8,156,870	B2	4/2012	South	
4,173,186	A	11/1979	Dunham		8,201,867	B2	6/2012	Thomeczek	
4,187,271	A	2/1980	Rolston et al.		8,206,522	B2	6/2012	Sandstrom et al.	
4,228,724	A	10/1980	Leich		8,240,252	B2	8/2012	Maljkovic et al.	
4,276,830	A	7/1981	Alice		D675,882	S *	2/2013	Crockett	D7/601
D263,581	S *	3/1982	Kaye	D13/103	8,408,137	B2	4/2013	Battaglia	
4,475,435	A	10/1984	Mantel		D683,419	S *	5/2013	Rebar	D22/116
4,598,445	A	7/1986	O'Connor		8,443,729	B2	5/2013	Mittelstaedt	
4,614,157	A	9/1986	Grelle et al.		8,443,730	B2	5/2013	Padgett	
4,679,505	A	7/1987	Reed		8,511,233	B2	8/2013	Nilsson	
4,718,348	A	1/1988	Ferrigno		D689,975	S *	9/2013	Carlson	D22/116
4,719,859	A	1/1988	Ballreich et al.		8,522,684	B2	9/2013	Davies et al.	
4,726,296	A	2/1988	Leshner et al.		8,540,828	B2	9/2013	Busky et al.	
4,763,576	A	8/1988	Kass et al.		8,561,543	B2	10/2013	Burrow	
4,867,065	A	9/1989	Kaltmann et al.		8,573,126	B2	11/2013	Klein et al.	
5,033,386	A	7/1991	Vatsvog		8,641,842	B2	2/2014	Hafner et al.	
5,151,555	A	9/1992	Vatsvog		8,689,696	B1	4/2014	Seeman et al.	
5,165,040	A	11/1992	Andersson et al.		8,763,535	B2	7/2014	Padgett	
5,237,930	A	8/1993	Belanger et al.		8,790,455	B2	7/2014	Borissov et al.	
5,259,288	A	11/1993	Vatsvog		8,807,008	B2	8/2014	Padgett et al.	
D345,676	S *	4/1994	Biffle	D7/510	8,813,650	B2	8/2014	Maljkovic et al.	
5,433,148	A	7/1995	Barratault et al.		D715,888	S	10/2014	Padgett	
D380,650	S *	7/1997	Norris	D7/619.1	8,850,985	B2	10/2014	Maljkovic et al.	
5,679,920	A *	10/1997	Hallis	F42B 12/74	8,857,343	B2	10/2014	Marx	
				102/398	8,869,702	B2	10/2014	Padgett	
5,798,478	A	8/1998	Beal		D717,909	S *	11/2014	Thrift	D22/116
5,950,063	A	9/1999	Hens et al.		8,875,633	B2	11/2014	Padgett	
5,969,288	A	10/1999	Baud		8,893,621	B1	11/2014	Escobar	
6,004,682	A	12/1999	Rackovan et al.		D723,418	S *	3/2015	Thuma	D11/143
6,048,379	A	4/2000	Bray et al.		8,978,559	B2	3/2015	Davies et al.	
6,070,532	A	6/2000	Halverson		9,003,973	B1	4/2015	Padgett	
6,108,974	A *	8/2000	Herzog-Mesrobian	A47G 7/08	9,032,855	B1	5/2015	Foren et al.	
				47/72	9,091,516	B2	7/2015	Davies et al.	
D435,626	S *	12/2000	Benini	D22/100	9,103,641	B2	8/2015	Nielson et al.	
D439,116	S *	3/2001	White	D7/619.1	9,157,709	B2	10/2015	Nuetzman et al.	
D442,833	S *	5/2001	Shuman	D7/608	9,170,080	B2	10/2015	Poore et al.	
6,257,149	B1 *	7/2001	Cesaroni	F42B 12/745	9,182,204	B2	11/2015	Maljkovic et al.	
				102/515	9,188,412	B2	11/2015	Maljkovic et al.	
D447,209	S *	8/2001	Benini	D22/116	9,200,157	B2	12/2015	El-Hibri et al.	
6,272,993	B1	8/2001	Cook et al.		9,200,880	B1	12/2015	Foren et al.	
					9,212,876	B1	12/2015	Kostka et al.	
					9,212,879	B2	12/2015	Whitworth	
					9,213,175	B2	12/2015	Arnold	
					9,254,503	B2	2/2016	Ward	
					9,255,775	B1	2/2016	Rubin	
					D752,397	S *	3/2016	Seiders	D7/608

(56)

References Cited

U.S. PATENT DOCUMENTS

D754,223 S *	4/2016	Pederson	D15/90	10,048,052 B2	8/2018	Burrow	
9,329,004 B2	5/2016	Pace		10,054,413 B1	8/2018	Burrow	
9,335,137 B2	5/2016	Maljkovic et al.		D828,483 S	9/2018	Burrow	
9,337,278 B1	5/2016	Gu et al.		D832,037 S *	10/2018	Gallagher	D7/397
9,347,457 B2	5/2016	Ahrens et al.		D834,447 S *	11/2018	van Smirren	A47G 7/07
9,366,512 B2	6/2016	Burczynski et al.					D11/143
9,377,278 B2	6/2016	Rubin		D839,676 S *	2/2019	Seiders	D7/523
9,389,052 B2	7/2016	Conroy et al.		D839,677 S *	2/2019	Seiders	D7/523
9,395,165 B2	7/2016	Maljkovic et al.		D843,788 S *	3/2019	Boroski	D7/608
D764,624 S	8/2016	Masinelli		10,234,249 B2 *	3/2019	Burrow	F42B 5/307
D765,214 S	8/2016	Padgett		10,234,253 B2 *	3/2019	Burrow	F42B 5/307
9,429,407 B2	8/2016	Burrow		10,240,905 B2 *	3/2019	Burrow	F42B 5/307
9,441,930 B2	9/2016	Burrow		2005/0192835 A1 *	9/2005	Kuo	G06Q 50/22
9,453,714 B2	9/2016	Bosarge et al.					705/2
D773,009 S *	11/2016	Bowers	D22/116	2006/0283345 A1 *	12/2006	Feldman	F42B 12/365
9,500,453 B2	11/2016	Schluckebier et al.					102/430
9,506,735 B1	11/2016	Burrow		2007/0056343 A1	3/2007	Cremonesi	
D773,250 S *	12/2016	Miller	D7/523	2007/0181029 A1 *	8/2007	Mcaninch	F41B 11/00
D774,824 S *	12/2016	Gallagher	D7/313				102/430
9,513,096 B2	12/2016	Burrow		2007/0204511 A1 *	9/2007	Lee	A47G 7/06
9,518,810 B1	12/2016	Burrow					47/66.1
9,523,563 B1	12/2016	Burrow		2010/0234132 A1	9/2010	Hirsch et al.	
9,528,799 B2	12/2016	Maljkovic		2011/0036000 A1 *	2/2011	Verdecia	A47G 7/06
9,546,849 B2	1/2017	Burrow					47/41.1
9,551,557 B1	1/2017	Burrow		2011/0179965 A1	7/2011	Mason	
D778,391 S	2/2017	Burrow		2012/0111219 A1 *	5/2012	Burrow	F42B 5/307
D778,393 S	2/2017	Burrow					102/467
D778,394 S	2/2017	Burrow		2012/0180685 A1 *	7/2012	O	F42B 8/14
D778,395 S	2/2017	Burrow					102/334
D779,021 S	2/2017	Burrow		2012/0291655 A1 *	11/2012	Jones	F42B 8/14
D779,024 S	2/2017	Burrow					102/502
D780,283 S *	2/2017	Burrow	D22/116	2013/0186294 A1 *	7/2013	Davies	F42B 5/307
D780,533 S *	3/2017	Seiders	D7/608				102/467
9,587,918 B1	3/2017	Burrow		2013/0291711 A1	11/2013	Mason	
9,599,443 B2	3/2017	Padgett et al.		2014/0260925 A1	9/2014	Beach et al.	
D784,137 S *	4/2017	Cates	D9/500	2014/0261044 A1 *	9/2014	Seecamp	F42B 12/36
9,625,241 B2	4/2017	Neugebauer					102/464
9,631,907 B2	4/2017	Burrow		2014/0311332 A1 *	10/2014	Carlson	F42B 5/045
D786,025 S *	5/2017	Seiders	D7/606				89/191.01
9,644,930 B1	5/2017	Burrow		2015/0226220 A1	8/2015	Bevington	
9,658,042 B2	5/2017	Emary		2016/0003589 A1	1/2016	Burrow	
D788,636 S *	6/2017	Paternostre	D11/143	2016/0003590 A1	1/2016	Burrow	
D790,392 S *	6/2017	Paternostre	D11/143	2016/0003593 A1	1/2016	Burrow	
9,683,818 B2	6/2017	Lemke et al.		2016/0003594 A1	1/2016	Burrow	
9,709,368 B2	7/2017	Mahnke		2016/0003595 A1	1/2016	Burrow	
D793,172 S *	8/2017	Medina	D7/624.2	2016/0003596 A1	1/2016	Burrow	
D797,880 S *	9/2017	Seecamp	D22/116	2016/0003597 A1	1/2016	Burrow	
9,759,554 B2	9/2017	Ng et al.		2016/0003601 A1	1/2016	Burrow	
D800,244 S *	10/2017	Burczynski	D22/115	2016/0033241 A1	2/2016	Burrow	
D800,245 S *	10/2017	Burczynski	D22/115	2016/0102030 A1	4/2016	Coffey et al.	
D800,246 S *	10/2017	Burczynski	D22/115	2016/0245626 A1	8/2016	Drieling et al.	
9,784,667 B2	10/2017	Lukay et al.		2016/0265886 A1 *	9/2016	Aldrich	F42B 5/30
D801,753 S *	11/2017	Piper	D7/624.2	2016/0349022 A1 *	12/2016	Burrow	F42B 5/307
D805,856 S *	12/2017	Rivera	D7/624.2	2016/0349023 A1	12/2016	Burrow	
9,835,423 B2	12/2017	Burrow		2016/0349028 A1	12/2016	Burrow	
9,835,427 B2	12/2017	Burrow		2016/0356581 A1 *	12/2016	Burrow	F42B 5/36
9,857,151 B2	1/2018	Dionne et al.		2016/0356588 A1	12/2016	Burrow	
9,869,536 B2	1/2018	Burrow		2016/0377399 A1	12/2016	Burrow	
9,879,954 B2	1/2018	Hajar		2017/0080498 A1	3/2017	Burrow	
9,885,551 B2	2/2018	Burrow		2017/0082409 A1	3/2017	Burrow	
D813,975 S *	3/2018	White	D22/116	2017/0082411 A1	3/2017	Burrow	
9,921,040 B2	3/2018	Rubin		2017/0089673 A1	3/2017	Burrow	
9,927,219 B2	3/2018	Burrow		2017/0089674 A1 *	3/2017	Burrow	F42B 5/02
9,933,241 B2	4/2018	Burrow		2017/0089675 A1	3/2017	Burrow	
9,939,236 B2	4/2018	Drobockyi et al.		2017/0089679 A1 *	3/2017	Burrow	F42B 33/001
9,964,388 B1	5/2018	Burrow		2017/0115105 A1 *	4/2017	Burrow	F42B 33/001
D821,536 S *	6/2018	Christiansen	D22/116	2017/0153099 A9	6/2017	Burrow	
9,989,339 B2	6/2018	Riess		2017/0205217 A9	7/2017	Burrow	
D824,732 S *	8/2018	Hsiao	D7/624.2	2017/0261299 A1 *	9/2017	Burrow	F42C 19/083
10,041,770 B2	8/2018	Burrow		2017/0299352 A9	10/2017	Burrow	
10,041,771 B1	8/2018	Burrow		2018/0066925 A1	3/2018	Skowron et al.	
10,041,776 B1	8/2018	Burrow		2018/0106581 A1 *	4/2018	Rogers	F42B 12/367
10,041,777 B1	8/2018	Burrow		2018/0224252 A1 *	8/2018	O'Rourke	F42B 12/40
10,048,049 B2	8/2018	Burrow		2018/0224253 A1	8/2018	Burrow	
10,048,050 B1	8/2018	Burrow		2018/0259310 A1	9/2018	Burrow	
				2018/0306558 A1	10/2018	Padgett et al.	
				2019/0011232 A1	1/2019	Boss et al.	
				2019/0011233 A1	1/2019	Boss et al.	

(56)

References Cited

U.S. PATENT DOCUMENTS

2019/0011234 A1* 1/2019 Boss F42B 33/00
 2019/0011235 A1 1/2019 Boss et al.
 2019/0011236 A1 1/2019 Burrow
 2019/0011237 A1 1/2019 Burrow
 2019/0011238 A1 1/2019 Burrow
 2019/0011239 A1 1/2019 Burrow
 2019/0011240 A1 1/2019 Burrow
 2019/0011241 A1 1/2019 Burrow

FOREIGN PATENT DOCUMENTS

EP 2625486 A4 8/2017
 FR 1412414 A 10/1965
 GB 783023 A 9/1957
 WO 0034732 6/2000
 WO 2007014024 A2 2/2007
 WO 2012047615 A1 4/2012
 WO 2012097320 A1 7/2012
 WO 2012097317 A3 11/2012
 WO 2013070250 A1 5/2013

WO 2013096848 A1 6/2013
 WO 2014062256 A2 4/2014
 WO 2016003817 A1 1/2016

OTHER PUBLICATIONS

Luck Gunner.com, Review: Polymer Cased Rifle Ammunition from PCP Ammo, Published Jan. 6, 2014, [site visited Mar. 27, 2019], Available on the Internet URL <https://www.luckygunner.com/lounge/pcp-ammo-review/>.*

International Ammunition Association, Inc. website, Published in Apr. 2017, PCP Ammo Variation in U.S. Military Polymer/Metal Cartridge Case R&D, [site visited Mar. 29, 2019], Available on the Internet URL <https://forum.cartridgecollectors.org/t/pcp-ammo-variation-in-u-s-military-polymer-metal-cartridge-case-r-d/24400>.*

AccurateShooter.com Daily Bulletin “New PolyCase Ammunition and Injection-Molded Bullets” Jan. 11, 2015.

Korean Intellectual Property Office (ISA), International Search Report and Written Opinion for PCT/US2011/062781 dated Nov. 30, 2012, 16 pp.

Korean Intellectual Property Office (ISA), International Search Report and Written Opinion for PCT/US2015/038061 dated Sep. 21, 2015, 28 pages.

* cited by examiner

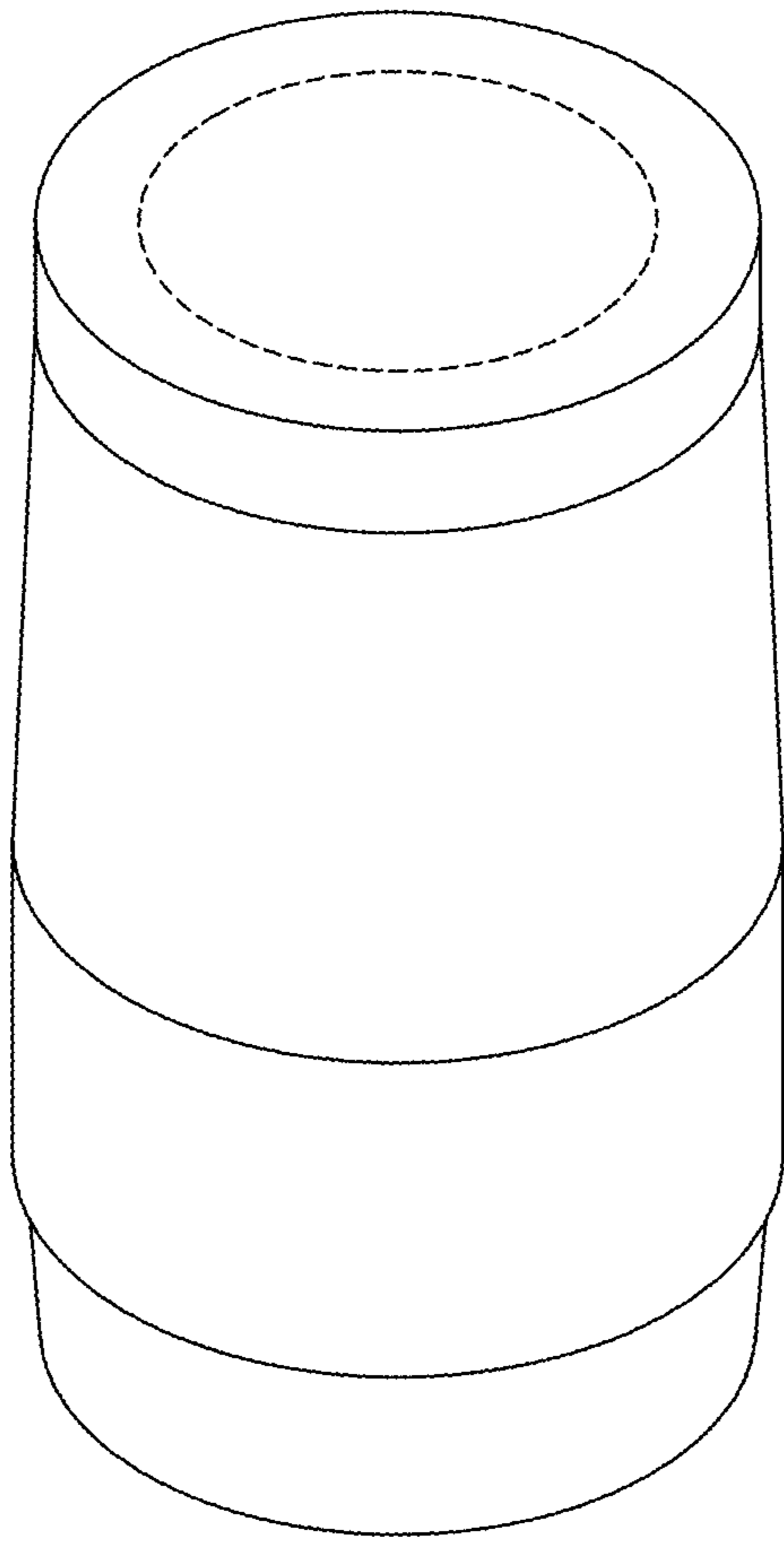


FIG. 1

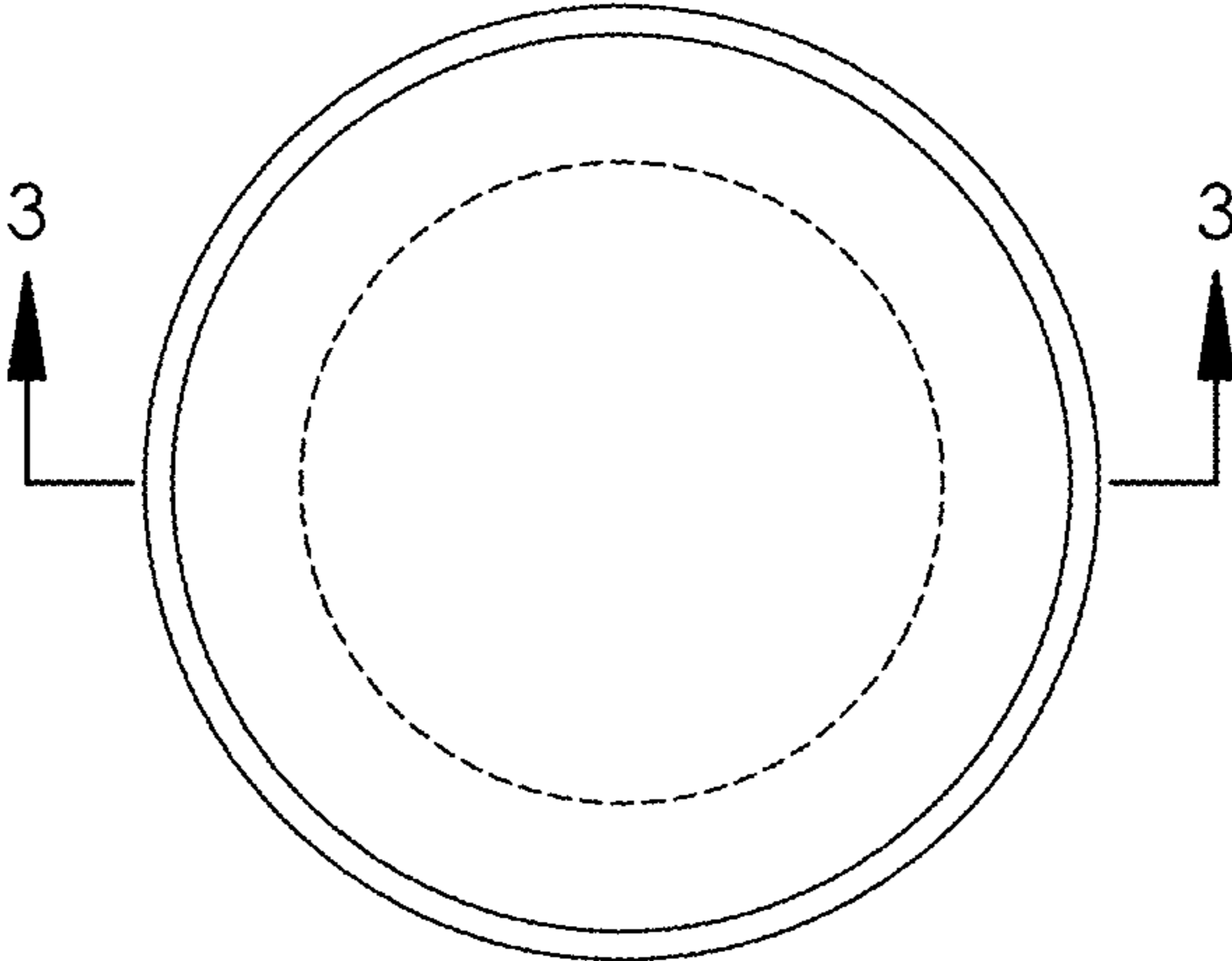


FIG. 2

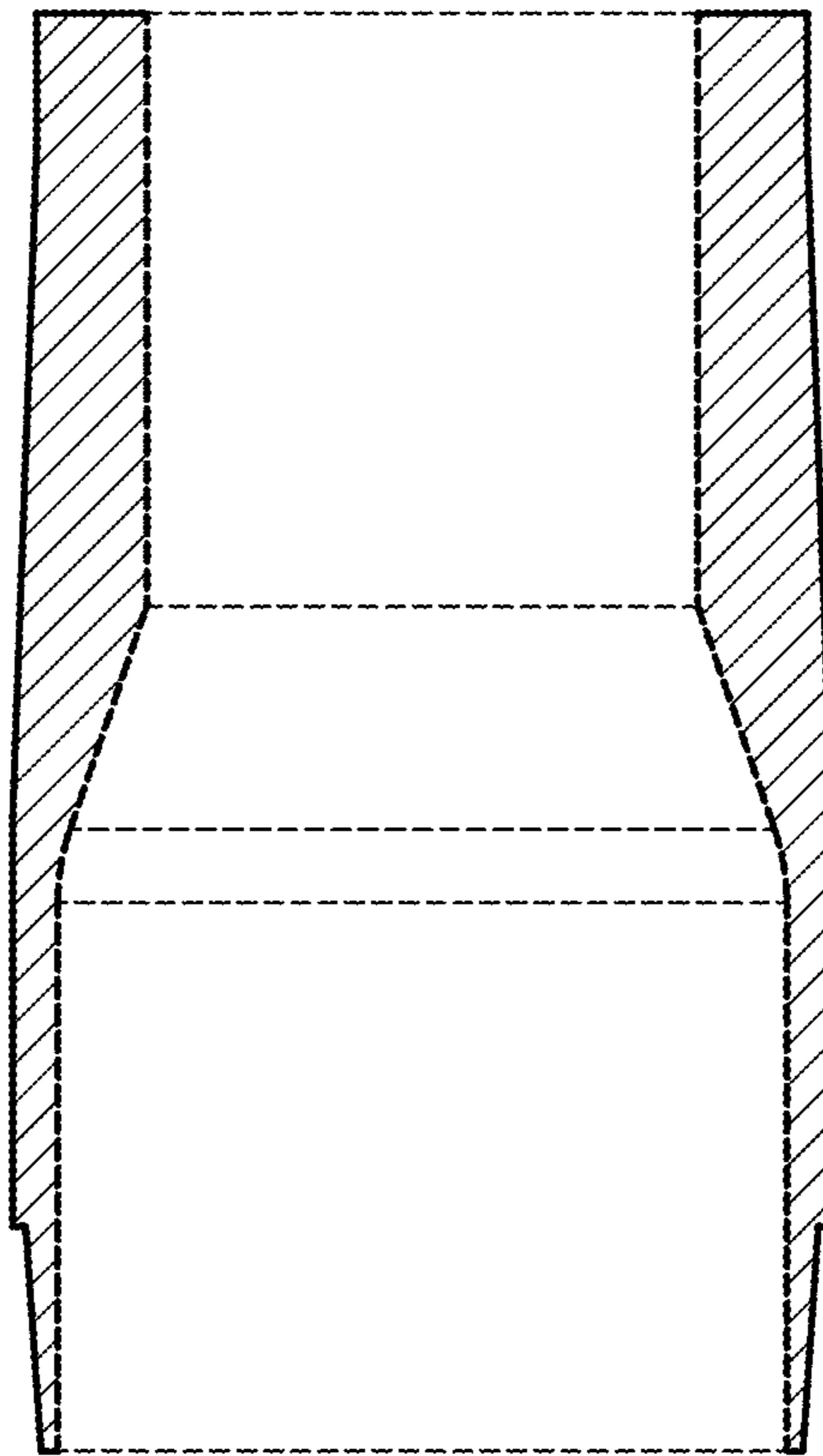


FIG. 3

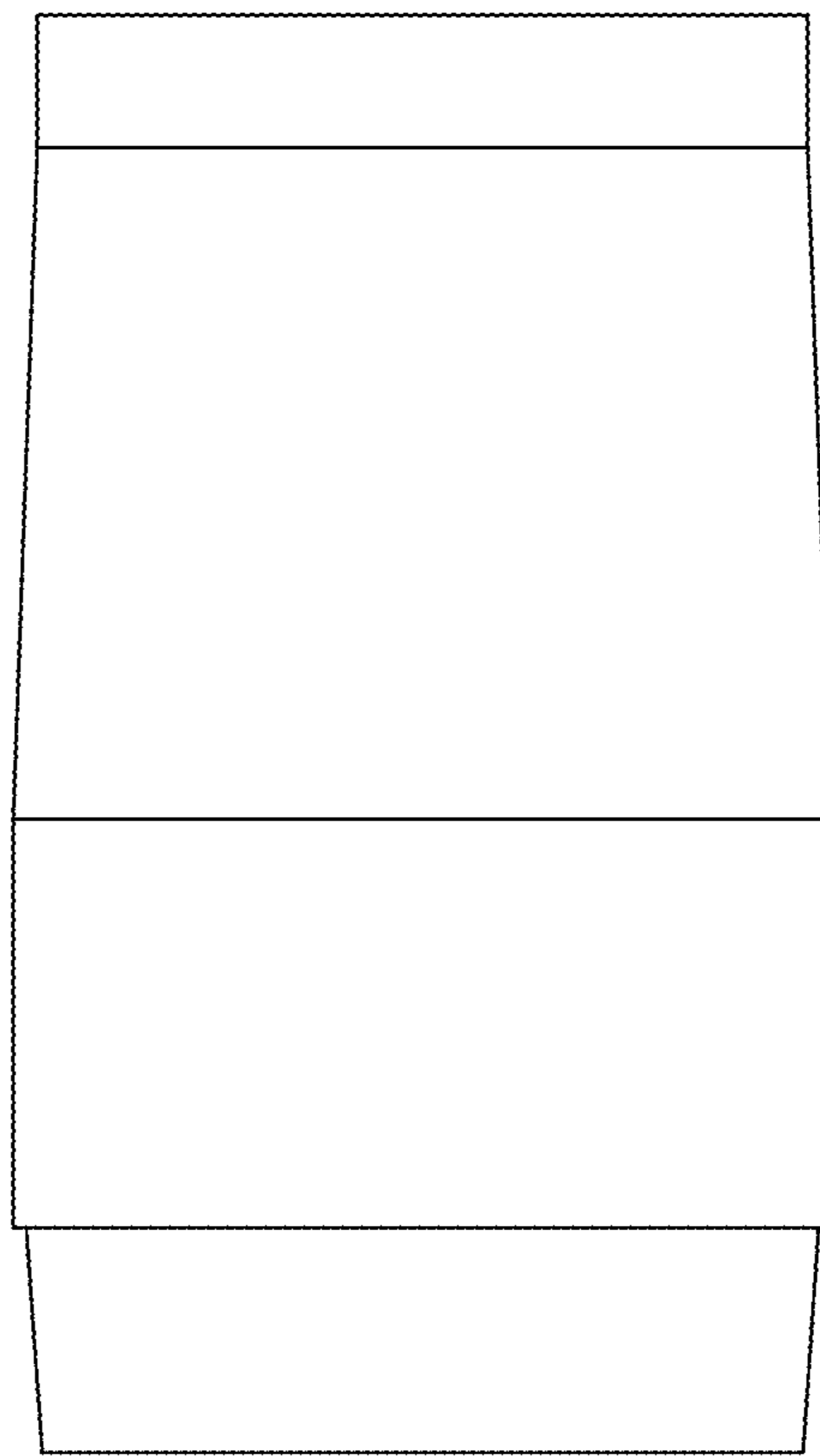


FIG. 4