



US00D882030S

(12) **United States Design Patent** (10) **Patent No.:** **US D882,030 S**  
**Burrow et al.** (45) **Date of Patent:** **\*\* \*Apr. 21, 2020**

- (54) **AMMUNITION CARTRIDGE**
- (71) Applicant: **TRUE VELOCITY IP HOLDINGS, LLC, Garland, TX (US)**
- (72) Inventors: **Lonnie Burrow, Carrollton, TX (US); Christopher William Overton, Richardson, TX (US)**
- (73) Assignee: **TRUE VELOCITY IP HOLDINGS, LLC, Garland, TX (US)**
- (\*) Notice: This patent is subject to a terminal disclaimer.
- (\*\*) Term: **15 Years**
- (21) Appl. No.: **29/644,853**
- (22) Filed: **Apr. 20, 2018**
- (51) **LOC (12) Cl.** ..... **22-03**
- (52) **U.S. Cl.**  
USPC ..... **D22/116**
- (58) **Field of Classification Search**  
USPC ..... D22/115, 116; D11/143; D7/619.1  
CPC ..... F42B 5/26-38; F42B 33/00; F42B 8/14  
See application file for complete search history.

- 905,358 A 12/1908 Peters
  - 957,171 A 5/1910 Loeb
  - 963,911 A 7/1910 Loeble
  - 1,060,817 A 5/1913 Clyne
  - 1,936,905 A 11/1933 Gaidos
  - 1,940,657 A 12/1933 Woodford
  - 2,294,822 A 9/1942 Norman
- (Continued)

**FOREIGN PATENT DOCUMENTS**

- CA 2813634 A1 4/2012
  - DE 16742 C 1/1882
- (Continued)

**OTHER PUBLICATIONS**

YouTube.com—TFB TV, Published on Jul. 23, 2015, [site visited on Mar. 27, 2019], Available on the Internet URL <https://www.youtube.com/watch?v=mCjNkxbHkEE>.\*

(Continued)

*Primary Examiner* — Karen S Acker  
*Assistant Examiner* — Steven B Reinholdt, Jr.  
(74) *Attorney, Agent, or Firm* — Chainey P. Singleton

(57) **CLAIM**

The ornamental design for an ammunition cartridge, as shown and described.

(56) **References Cited**

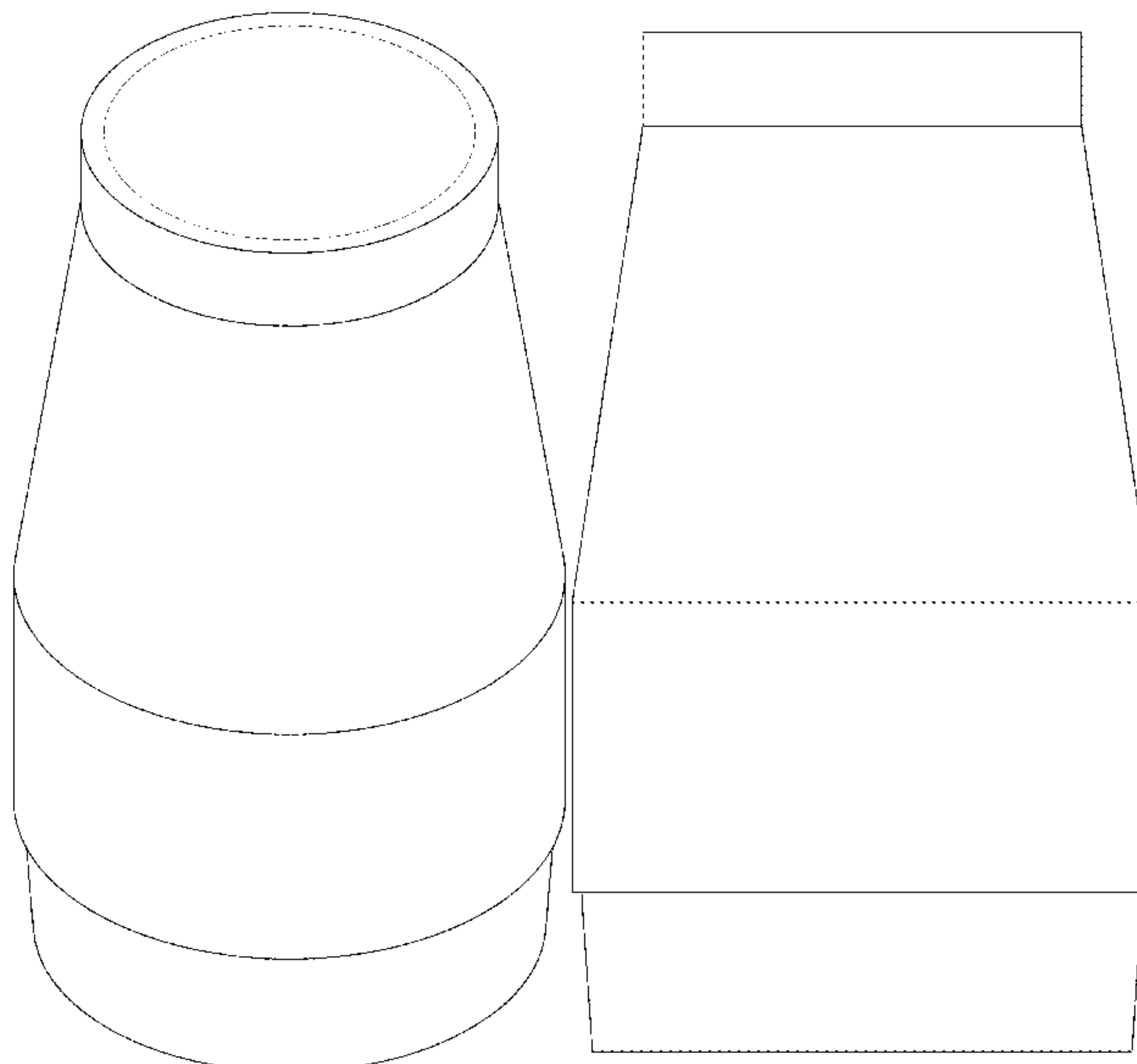
**U.S. PATENT DOCUMENTS**

- 99,528 A 2/1870 Boyd
- 113,634 A 4/1871 Crispin
- 130,679 A 8/1872 Whitmore
- 159,665 A 2/1875 Gauthey
- 169,807 A 11/1875 Hart
- 462,611 A 11/1891 Comte de Sparre
- 498,856 A 6/1893 Overbaugh
- 640,856 A 1/1900 Bailey
- 662,137 A 11/1900 Tellerson
- 676,000 A 6/1901 Henneberg
- 865,979 A 9/1907 Bailey
- 869,046 A 10/1907 Bailey

**DESCRIPTION**

FIG. 1 is an isometric view of an ammunition cartridge showing my new design. FIG. 2 is a top view of the ammunition cartridge of FIG. 1. FIG. 3 is a cross-sectional view taken along line 3-3 in FIG. 2 of the ammunition cartridge of FIG. 1; and, FIG. 4 is a side view of the ammunition cartridge of FIG. 1. The broken lines depict portions of the ammunition cartridge that form no part of the claim.

**1 Claim, 4 Drawing Sheets**



(56)

References Cited

U.S. PATENT DOCUMENTS

2,465,962 A 3/1949 Allen et al.  
 2,654,319 A 10/1953 Roske  
 2,823,611 A 2/1958 Thayer  
 2,862,446 A 12/1958 Lars  
 2,918,868 A 12/1959 Lars  
 3,099,958 A 8/1963 Daubenspeck et al.  
 3,104,498 A \* 9/1963 Miller ..... A01G 9/021  
 215/12.2  
 3,128,029 A \* 4/1964 Price ..... B65D 1/265  
 220/DIG. 14  
 3,159,701 A 12/1964 Herter  
 3,170,401 A 2/1965 Johnson et al.  
 3,171,350 A 3/1965 Metcalf et al.  
 3,242,789 A 3/1966 Woodring  
 3,292,538 A 12/1966 Hans et al.  
 3,485,170 A 12/1969 Scanlon  
 3,485,173 A 12/1969 Morgan  
 3,609,904 A 10/1971 Scanlon  
 3,659,528 A 5/1972 Santala  
 3,688,699 A 9/1972 Horn et al.  
 3,690,256 A 9/1972 Schnitzer  
 3,745,924 A 7/1973 Scanlon  
 3,749,021 A 7/1973 Burgess  
 3,756,156 A 9/1973 Schuster  
 3,765,297 A 10/1973 Skochko et al.  
 3,768,413 A 10/1973 Ramsay  
 3,797,396 A 3/1974 Reed  
 3,842,739 A 10/1974 Scanlon et al.  
 3,866,536 A 2/1975 Greenberg  
 3,874,294 A 4/1975 Hale  
 3,955,506 A 5/1976 Luther et al.  
 3,977,326 A 8/1976 Anderson et al.  
 3,990,366 A 11/1976 Scanlon  
 4,020,763 A 5/1977 Iruretagoyena  
 4,147,107 A 4/1979 Ringdal  
 4,157,684 A 6/1979 Clausser  
 4,173,186 A 11/1979 Dunham  
 4,187,271 A 2/1980 Rolston et al.  
 4,228,724 A 10/1980 Leich  
 4,276,830 A 7/1981 Alice  
 D263,581 S \* 3/1982 Kaye ..... D13/103  
 4,475,435 A 10/1984 Mantel  
 4,598,445 A 7/1986 O'Connor  
 4,614,157 A 9/1986 Grelle et al.  
 4,679,505 A 7/1987 Reed  
 4,718,348 A 1/1988 Ferrigno  
 4,719,859 A 1/1988 Ballreich et al.  
 4,726,296 A 2/1988 Leshner et al.  
 4,763,576 A 8/1988 Kass et al.  
 4,867,065 A 9/1989 Kaltmann et al.  
 5,033,386 A 7/1991 Vatsvog  
 5,151,555 A 9/1992 Vatsvog  
 5,165,040 A 11/1992 Andersson et al.  
 5,237,930 A 8/1993 Belanger et al.  
 5,259,288 A 11/1993 Vatsvog  
 D345,676 S \* 4/1994 Biffle ..... D7/510  
 5,433,148 A 7/1995 Barratault et al.  
 D380,650 S \* 7/1997 Norris ..... D7/619.1  
 5,679,920 A \* 10/1997 Hallis ..... F42B 12/74  
 102/398  
 5,798,478 A 8/1998 Beal  
 5,950,063 A 9/1999 Hens et al.  
 5,969,288 A 10/1999 Baud  
 6,004,682 A 12/1999 Rackovan et al.  
 6,048,379 A 4/2000 Bray et al.  
 6,070,532 A 6/2000 Halverson  
 6,108,974 A \* 8/2000 Herzog-Mesrobian .....  
 A47G 7/08  
 47/72  
 D435,626 S \* 12/2000 Benini ..... D22/100  
 D439,116 S \* 3/2001 White ..... D7/619.1  
 D442,833 S \* 5/2001 Shuman ..... D7/608  
 6,257,149 B1 \* 7/2001 Cesaroni ..... F42B 12/745  
 102/515

D447,209 S \* 8/2001 Benini ..... D22/116  
 6,272,993 B1 8/2001 Cook et al.  
 6,357,357 B1 3/2002 Glasser  
 D455,052 S \* 4/2002 Gullickson ..... D7/619.1  
 D455,320 S \* 4/2002 Edelstein ..... D7/619.1  
 6,375,971 B1 4/2002 Hansen  
 6,382,449 B1 \* 5/2002 Kazmierski ..... B65D 3/14  
 220/4.03  
 6,450,099 B1 9/2002 Desgland  
 6,460,464 B1 10/2002 Attarwala  
 6,523,476 B1 2/2003 Riess et al.  
 D478,530 S \* 8/2003 Sachuk ..... D11/143  
 6,708,621 B1 3/2004 Forichon-Chaumet et al.  
 6,752,084 B1 6/2004 Husseini et al.  
 6,840,149 B2 1/2005 Beal  
 7,032,492 B2 4/2006 Meshirer  
 D540,710 S \* 4/2007 Charrin ..... D11/147  
 7,204,191 B2 4/2007 Wiley et al.  
 7,213,519 B2 5/2007 Wiley et al.  
 7,231,519 B2 6/2007 Joseph et al.  
 7,232,473 B2 6/2007 Elliott  
 7,299,750 B2 11/2007 Schikora et al.  
 7,353,756 B2 4/2008 Leasure  
 7,392,746 B2 7/2008 Hansen  
 D583,927 S \* 12/2008 Benner ..... D24/106  
 7,461,597 B2 12/2008 Brunn  
 7,585,166 B2 9/2009 Buja  
 7,610,858 B2 11/2009 Chung  
 7,750,091 B2 7/2010 Maljkovic et al.  
 D626,619 S \* 11/2010 Gogol ..... D22/116  
 D631,699 S \* 2/2011 Moreau ..... D7/509  
 D633,166 S \* 2/2011 Richardson ..... D22/116  
 7,930,977 B2 4/2011 Klein  
 8,007,370 B2 8/2011 Hirsch et al.  
 8,056,232 B2 11/2011 Patel et al.  
 8,156,870 B2 4/2012 South  
 8,201,867 B2 6/2012 Thomeczek  
 8,206,522 B2 6/2012 Sandstrom et al.  
 8,240,252 B2 8/2012 Maljkovic et al.  
 D675,882 S \* 2/2013 Crockett ..... D7/601  
 8,408,137 B2 4/2013 Battaglia  
 D683,419 S \* 5/2013 Rebar ..... D22/116  
 8,443,729 B2 5/2013 Mittelstaedt  
 8,443,730 B2 5/2013 Padgett  
 8,511,233 B2 8/2013 Nilsson  
 D689,975 S \* 9/2013 Carlson ..... D22/116  
 8,522,684 B2 9/2013 Davies et al.  
 8,540,828 B2 9/2013 Busky et al.  
 8,561,543 B2 10/2013 Burrow  
 8,573,126 B2 11/2013 Klein et al.  
 8,641,842 B2 2/2014 Hafner et al.  
 8,689,696 B1 4/2014 Seeman et al.  
 8,763,535 B2 7/2014 Padgett  
 8,790,455 B2 7/2014 Borissov et al.  
 8,807,008 B2 8/2014 Padgett et al.  
 8,813,650 B2 8/2014 Maljkovic et al.  
 D715,888 S 10/2014 Padgett  
 8,850,985 B2 10/2014 Maljkovic et al.  
 8,857,343 B2 10/2014 Marx  
 8,869,702 B2 10/2014 Padgett  
 D717,909 S \* 11/2014 Thrift ..... D22/116  
 8,875,633 B2 11/2014 Padgett  
 8,893,621 B1 11/2014 Escobar  
 D723,418 S \* 3/2015 Thuma ..... D11/143  
 8,978,559 B2 3/2015 Davies et al.  
 9,003,973 B1 4/2015 Padgett  
 9,032,855 B1 5/2015 Foren et al.  
 9,091,516 B2 7/2015 Davies et al.  
 9,103,641 B2 8/2015 Nielson et al.  
 9,157,709 B2 10/2015 Nuetzman et al.  
 9,170,080 B2 10/2015 Poore et al.  
 9,182,204 B2 11/2015 Maljkovic et al.  
 9,188,412 B2 11/2015 Maljkovic et al.  
 9,200,157 B2 12/2015 El-Hibri et al.  
 9,200,880 B1 12/2015 Foren et al.  
 9,212,876 B1 12/2015 Kostka et al.  
 9,212,879 B2 12/2015 Whitworth  
 9,213,175 B2 12/2015 Arnold  
 9,254,503 B2 2/2016 Ward



(56)

References Cited

U.S. PATENT DOCUMENTS

9,255,775 B1	2/2016	Rubin	10,048,049 B2	8/2018	Burrow
D752,397 S *	3/2016	Seiders ..... D7/608	10,048,050 B1	8/2018	Burrow
D754,223 S *	4/2016	Pederson ..... D15/90	10,048,052 B2	8/2018	Burrow
9,329,004 B2	5/2016	Pace	10,054,413 B1	8/2018	Burrow
9,335,137 B2	5/2016	Maljkovic et al.	D828,483 S	9/2018	Burrow
9,337,278 B1	5/2016	Gu et al.	D832,037 S *	10/2018	Gallagher ..... D7/397
9,347,457 B2	5/2016	Ahrens et al.	D834,447 S *	11/2018	van Smirren ..... A47G 7/07
9,366,512 B2	6/2016	Burczynski et al.			D11/143
9,377,278 B2	6/2016	Rubin	D839,676 S *	2/2019	Seiders ..... D7/523
9,389,052 B2	7/2016	Conroy et al.	D839,677 S *	2/2019	Seiders ..... D7/523
9,395,165 B2	7/2016	Maljkovic et al.	D843,788 S *	3/2019	Boroski ..... D7/608
D764,624 S	8/2016	Masinelli	10,234,249 B2 *	3/2019	Burrow ..... F42B 5/307
D765,214 S	8/2016	Padgett	10,234,253 B2 *	3/2019	Burrow ..... F42B 5/307
9,429,407 B2	8/2016	Burrow	10,240,905 B2 *	3/2019	Burrow ..... F42B 5/307
9,441,930 B2	9/2016	Burrow	2005/0192835 A1 *	9/2005	Kuo ..... G06Q 50/22
9,453,714 B2	9/2016	Bosarge et al.			705/2
D773,009 S *	11/2016	Bowers ..... D22/116	2006/0283345 A1 *	12/2006	Feldman ..... F42B 12/365
9,500,453 B2	11/2016	Schluckebier et al.			102/430
9,506,735 B1	11/2016	Burrow	2007/0056343 A1	3/2007	Cremonesi
D773,250 S *	12/2016	Miller ..... D7/523	2007/0181029 A1 *	8/2007	Mcaninch ..... F41B 11/00
D774,824 S *	12/2016	Gallagher ..... D7/313			102/430
9,513,096 B2	12/2016	Burrow	2007/0204511 A1 *	9/2007	Lee ..... A47G 7/06
9,518,810 B1	12/2016	Burrow			47/66.1
9,523,563 B1	12/2016	Burrow	2010/0234132 A1	9/2010	Hirsch et al.
9,528,799 B2	12/2016	Maljkovic	2011/0036000 A1 *	2/2011	Verdecia ..... A47G 7/06
9,546,849 B2	1/2017	Burrow			47/41.1
9,551,557 B1	1/2017	Burrow	2011/0179965 A1	7/2011	Mason
D778,391 S	2/2017	Burrow	2012/0111219 A1 *	5/2012	Burrow ..... F42B 5/307
D778,393 S	2/2017	Burrow			102/467
D778,394 S	2/2017	Burrow	2012/0180685 A1 *	7/2012	O ..... F24B 8/14
D778,395 S	2/2017	Burrow			102/334
D779,021 S	2/2017	Burrow	2012/0291655 A1 *	11/2012	Jones ..... F42B 8/14
D779,024 S	2/2017	Burrow			102/502
D780,283 S *	2/2017	Burrow ..... D22/116	2013/0186294 A1 *	7/2013	Davies ..... F42B 5/307
D780,533 S *	3/2017	Seiders ..... D7/608			102/467
9,587,918 B1	3/2017	Burrow	2013/0291711 A1	11/2013	Mason
9,599,443 B2	3/2017	Padgett et al.	2014/0260925 A1	9/2014	Beach et al.
D784,137 S *	4/2017	Cates ..... D9/500	2014/0261044 A1 *	9/2014	Seecamp ..... F42B 12/36
9,625,241 B2	4/2017	Neugebauer			102/464
9,631,907 B2	4/2017	Burrow	2014/0311332 A1 *	10/2014	Carlson ..... F42B 5/045
D786,025 S *	5/2017	Seiders ..... D7/606			89/191.01
9,644,930 B1	5/2017	Burrow	2015/0226220 A1	8/2015	Bevington
9,658,042 B2	5/2017	Emary	2016/0003589 A1	1/2016	Burrow
D788,636 S *	6/2017	Paternostre ..... D11/143	2016/0003590 A1	1/2016	Burrow
D790,392 S *	6/2017	Paternostre ..... D11/143	2016/0003593 A1	1/2016	Burrow
9,683,818 B2	6/2017	Lemke et al.	2016/0003594 A1	1/2016	Burrow
9,709,368 B2	7/2017	Mahnke	2016/0003595 A1	1/2016	Burrow
D793,172 S *	8/2017	Medina ..... D7/624.2	2016/0003596 A1	1/2016	Burrow
D797,880 S *	9/2017	Seecamp ..... D22/116	2016/0003597 A1	1/2016	Burrow
9,759,554 B2	9/2017	Ng et al.	2016/0003601 A1	1/2016	Burrow
D800,244 S *	10/2017	Burczynski ..... D22/115	2016/0033241 A1	2/2016	Burrow
D800,245 S *	10/2017	Burczynski ..... D22/115	2016/0102030 A1	4/2016	Coffey et al.
D800,246 S *	10/2017	Burczynski ..... D22/115	2016/0245626 A1	8/2016	Drieling et al.
9,784,667 B2	10/2017	Lukay et al.	2016/0265886 A1 *	9/2016	Aldrich ..... F42B 5/30
D801,753 S *	11/2017	Piper ..... D7/624.2	2016/0349022 A1 *	12/2016	Burrow ..... F42B 5/307
D805,856 S *	12/2017	Rivera ..... D7/624.2	2016/0349023 A1	12/2016	Burrow
9,835,423 B2	12/2017	Burrow	2016/0349028 A1	12/2016	Burrow
9,835,427 B2	12/2017	Burrow	2016/0356581 A1 *	12/2016	Burrow ..... F42B 5/36
9,857,151 B2	1/2018	Dionne et al.	2016/0356588 A1	12/2016	Burrow
9,869,536 B2	1/2018	Burrow	2016/0377399 A1	12/2016	Burrow
9,879,954 B2	1/2018	Hajar	2017/0080498 A1	3/2017	Burrow
9,885,551 B2	2/2018	Burrow	2017/0082409 A1	3/2017	Burrow
D813,975 S *	3/2018	White ..... D22/116	2017/0082411 A1	3/2017	Burrow
9,921,040 B2	3/2018	Rubin	2017/0089673 A1	3/2017	Burrow
9,927,219 B2	3/2018	Burrow	2017/0089674 A1 *	3/2017	Burrow ..... F42B 5/02
9,933,241 B2	4/2018	Burrow	2017/0089675 A1	3/2017	Burrow
9,939,236 B2	4/2018	Drobockyi et al.	2017/0089679 A1 *	3/2017	Burrow ..... F42B 33/001
9,964,388 B1	5/2018	Burrow	2017/0115105 A1 *	4/2017	Burrow ..... F42B 33/001
D821,536 S *	6/2018	Christiansen ..... D22/116	2017/0153099 A9	6/2017	Burrow
9,989,339 B2	6/2018	Riess	2017/0205217 A9	7/2017	Burrow
D824,732 S *	8/2018	Hsiao ..... D7/624.2	2017/0261299 A1 *	9/2017	Burrow ..... F42C 19/083
10,041,770 B2	8/2018	Burrow	2017/0299352 A9	10/2017	Burrow
10,041,771 B1	8/2018	Burrow	2018/0066925 A1	3/2018	Skowron et al.
10,041,776 B1	8/2018	Burrow	2018/0106581 A1 *	4/2018	Rogers ..... F42B 12/367
10,041,777 B1	8/2018	Burrow	2018/0224252 A1 *	8/2018	O'Rourke ..... F42B 12/40
			2018/0224253 A1	8/2018	Burrow
			2018/0259310 A1	9/2018	Burrow
			2018/0306558 A1	10/2018	Padgett et al.

(56)

**References Cited**

U.S. PATENT DOCUMENTS

2019/0011232 A1 1/2019 Boss et al.  
 2019/0011233 A1 1/2019 Boss et al.  
 2019/0011234 A1\* 1/2019 Boss ..... F42B 33/00  
 2019/0011235 A1 1/2019 Boss et al.  
 2019/0011236 A1 1/2019 Burrow  
 2019/0011237 A1 1/2019 Burrow  
 2019/0011238 A1 1/2019 Burrow  
 2019/0011239 A1 1/2019 Burrow  
 2019/0011240 A1 1/2019 Burrow  
 2019/0011241 A1 1/2019 Burrow

FOREIGN PATENT DOCUMENTS

EP 2625486 A4 8/2017  
 FR 1412414 A 10/1965  
 GB 783023 A 9/1957  
 WO 0034732 6/2000  
 WO 2007014024 A2 2/2007  
 WO 2012047615 A1 4/2012  
 WO 2012097320 A1 7/2012  
 WO 2012097317 A3 11/2012  
 WO 2013070250 A1 5/2013

WO 2013096848 A1 6/2013  
 WO 2014062256 A2 4/2014  
 WO 2016003817 A1 1/2016

OTHER PUBLICATIONS

Luck Gunner.com, Review: Polymer Cased Rifle Ammunition from PCP Ammo, Published Jan. 6, 2014, [site visited Mar. 27, 2019], Available on the Internet URL <https://www.luckygunner.com/lounge/pcp-ammo-review/>.  
 International Ammunition Association, Inc. website, Published in Apr. 2017, PCP Ammo Variation in U.S. Military Polymer/Metal Cartridge Case R&D, [site visited Mar. 29, 2019], Available on the Internet URL <https://forum.cartridgecollectors.org/t/pcp-ammo-variation-in-u-s-military-polymer-metal-cartridge-case-r-d/24400>.  
 AccurateShooter.com Daily Bulletin “New PolyCase Ammunition and Injection-Molded Bullets” Jan. 11, 2015.  
 Korean Intellectual Property Office (ISA), International Search Report and Written Opinion for PCT/US2011/062781 dated Nov. 30, 2012, 16 pp.  
 Korean Intellectual Property Office (ISA), International Search Report and Written Opinion for PCT/US2015/038061 dated Sep. 21, 2015, 28 pages.

\* cited by examiner

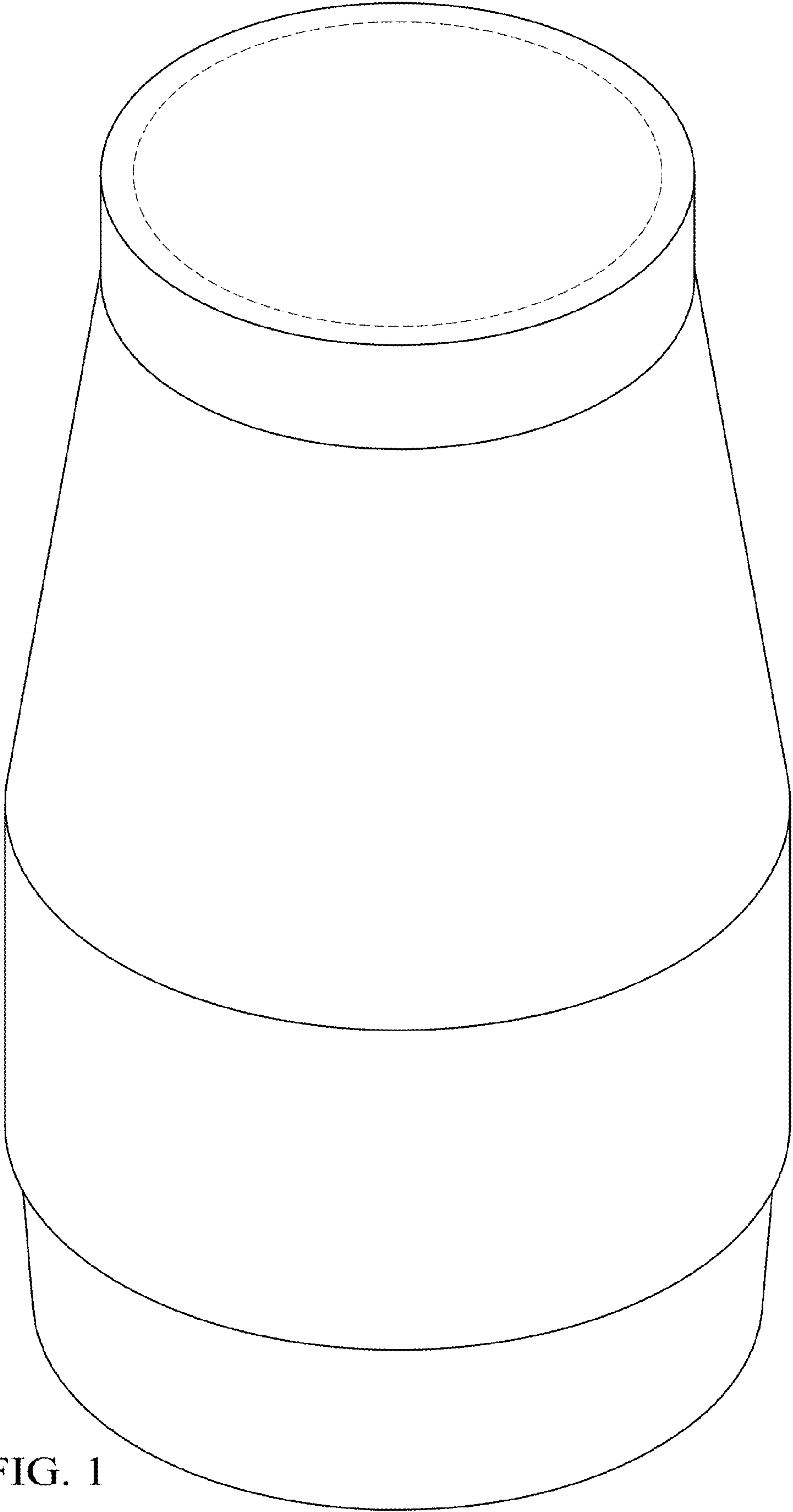


FIG. 1



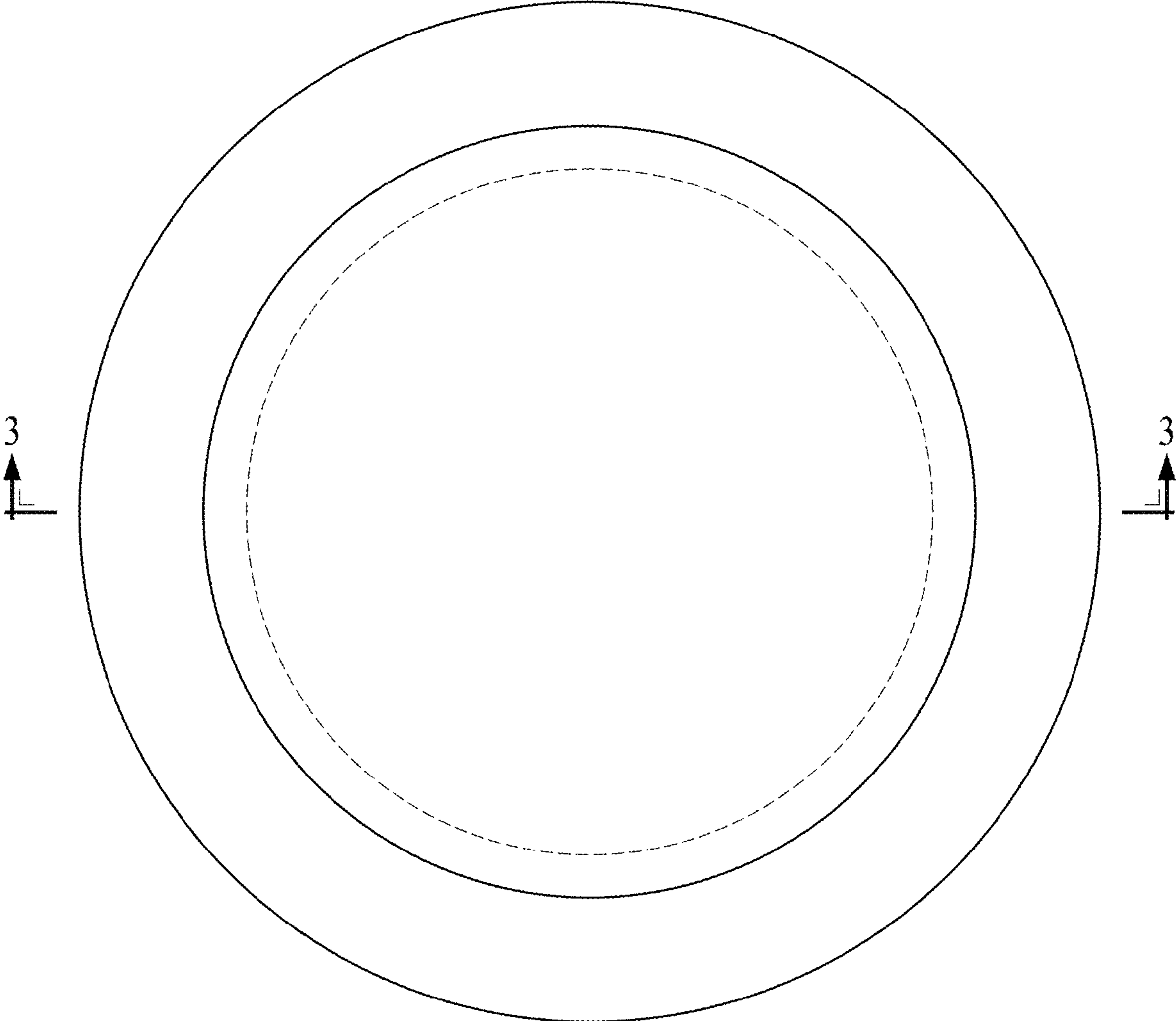


FIG. 2

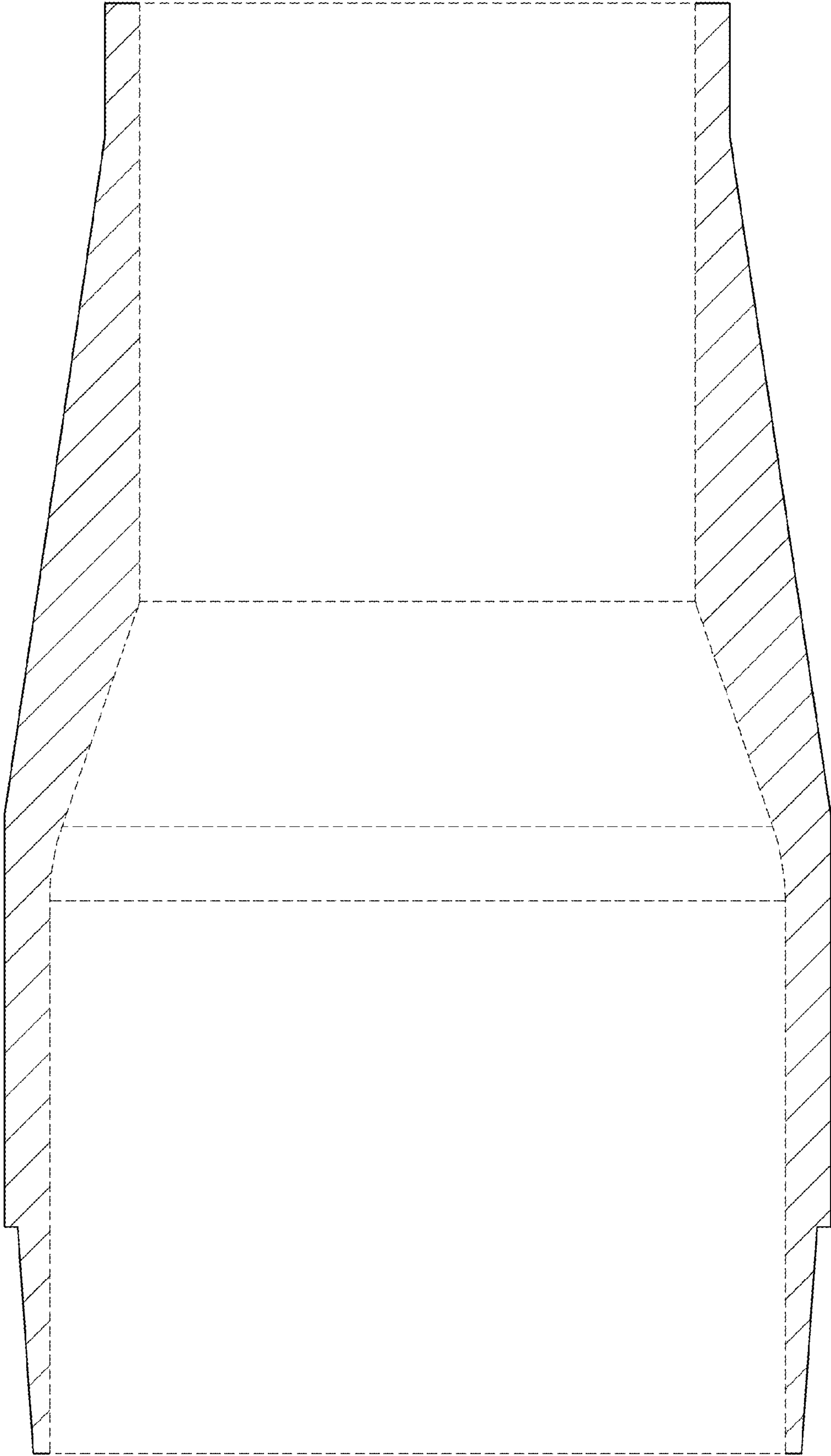


FIG. 3

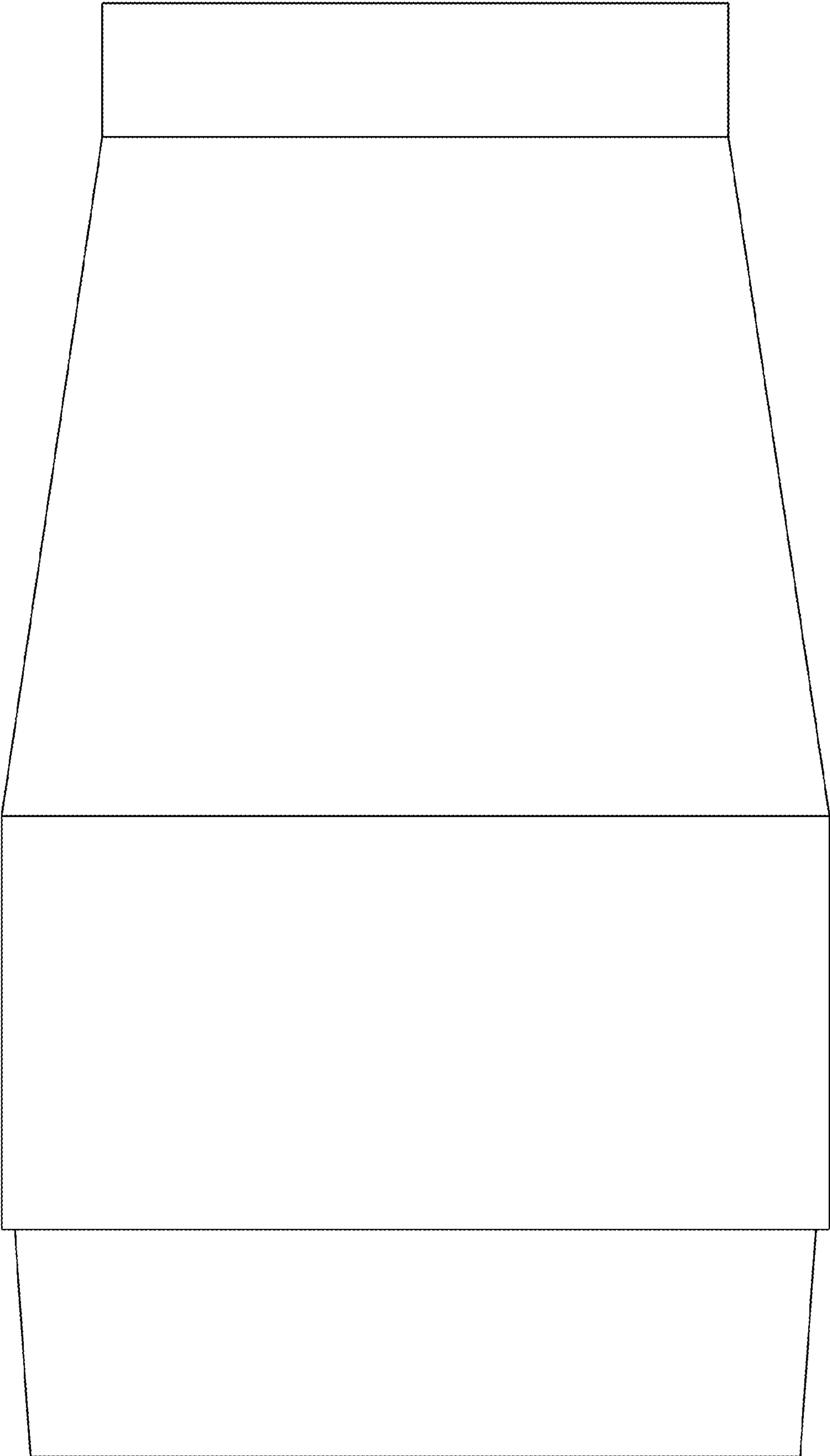


FIG. 4