



US00D882026S

(12) **United States Design Patent**
Burrow et al.

(10) **Patent No.:** **US D882,026 S**
(45) **Date of Patent:** **** *Apr. 21, 2020**

- (54) **AMMUNITION CARTRIDGE**
- (71) Applicant: **TRUE VELOCITY IP HOLDINGS, LLC**, Garland, TX (US)
- (72) Inventors: **Lonnie Burrow**, Carrollton, TX (US); **Christopher William Overton**, Richardson, TX (US)
- (73) Assignee: **TRUE VELOCITY IP HOLDINGS, LLC**, Garland, TX (US)
- (*) Notice: This patent is subject to a terminal disclaimer.
- (**) Term: **15 Years**
- (21) Appl. No.: **29/644,835**
- (22) Filed: **Apr. 20, 2018**
- (51) **LOC (12) Cl.** **22-03**
- (52) **U.S. Cl.**
USPC **D22/116**
- (58) **Field of Classification Search**
USPC D22/115, 116; D11/143; D7/619.1
CPC F42B 5/26-38; F42B 33/00; F42B 8/14
See application file for complete search history.

- 905,358 A 12/1908 Peters
 - 957,171 A 5/1910 Loeb
 - 963,911 A 7/1910 Loeb
 - 1,060,817 A 5/1913 Clyne
 - 1,936,905 A 11/1933 Gaidos
 - 1,940,657 A 12/1933 Woodford
 - 2,294,822 A 9/1942 Norman
- (Continued)

FOREIGN PATENT DOCUMENTS

- CA 2813634 A1 4/2012
 - DE 16742 C 1/1882
- (Continued)

OTHER PUBLICATIONS

YouTube.com—TFB TV, Published on Jul. 23, 2015, [site visited on Mar. 27, 2019], Available on the Internet URL <https://www.youtube.com/watch?v=mCjNkxbHkEE>.*

(Continued)

Primary Examiner — Karen S Acker
Assistant Examiner — Steven B Reinholdt, Jr.
(74) *Attorney, Agent, or Firm* — Chainey P. Singleton

(57) **CLAIM**

The ornamental design for an ammunition cartridge, as shown and described.

DESCRIPTION

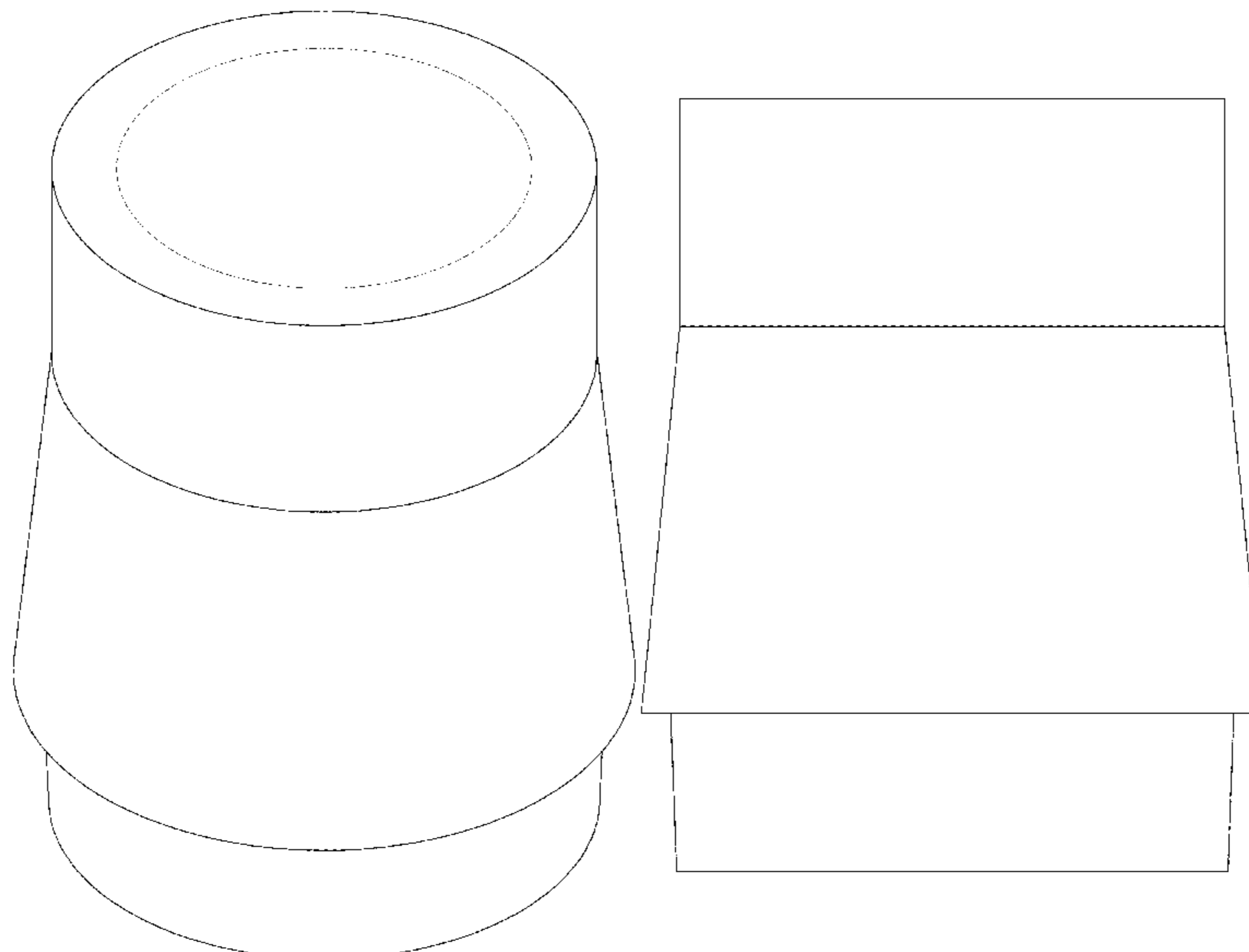
FIG. 1 is an isometric view of an ammunition cartridge showing my new design. FIG. 2 is a top view of the ammunition cartridge of FIG. 1. FIG. 3 is a cross-sectional view taken along line 3-3 in FIG. 2 of the ammunition cartridge of FIG. 1; and, FIG. 4 is a side view of the ammunition cartridge of FIG. 1. The broken lines depict portions of the ammunition cartridge that form no part of the claim.

1 Claim, 4 Drawing Sheets

(56) **References Cited**

U.S. PATENT DOCUMENTS

- 99,528 A 2/1870 Boyd
- 113,634 A 4/1871 Crispin
- 130,679 A 8/1872 Whitmore
- 159,665 A 2/1875 Gauthey
- 169,807 A 11/1875 Hart
- 462,611 A 11/1891 Comte de Sparre
- 498,856 A 6/1893 Overbaugh
- 640,856 A 1/1900 Bailey
- 662,137 A 11/1900 Tellerson
- 676,000 A 6/1901 Henneberg
- 865,979 A 9/1907 Bailey
- 869,046 A 10/1907 Bailey



(56)

References Cited

U.S. PATENT DOCUMENTS							
2,465,962	A	3/1949	Allen et al.	D447,209	S *	8/2001	Benini D22/116
2,654,319	A	10/1953	Roske	6,272,993	B1	8/2001	Cook et al.
2,823,611	A	2/1958	Thayer	6,357,357	B1	3/2002	Glasser
2,862,446	A	12/1958	Lars	D455,052	S *	4/2002	Gullickson D7/619.1
2,918,868	A	12/1959	Lars	D455,320	S *	4/2002	Edelstein D7/619.1
3,099,958	A	8/1963	Daubenspeck et al.	6,375,971	B1	4/2002	Hansen
3,104,498	A *	9/1963	Miller A01G 9/021 215/12.2	6,382,449	B1 *	5/2002	Kazmierski B65D 3/14 220/4.03
3,128,029	A *	4/1964	Price B65D 1/265 220/DIG. 14	6,450,099	B1	9/2002	Desgland
3,159,701	A	12/1964	Herter	6,460,464	B1	10/2002	Attarwala
3,170,401	A	2/1965	Johnson et al.	6,523,476	B1	2/2003	Riess et al.
3,171,350	A	3/1965	Metcalf et al.	D478,530	S *	8/2003	Sachuk D11/143
3,242,789	A	3/1966	Woodring	6,708,621	B1	3/2004	Forichon-Chaumet et al.
3,292,538	A	12/1966	Hans et al.	6,752,084	B1	6/2004	Husseini et al.
3,485,170	A	12/1969	Scanlon	6,840,149	B2	1/2005	Beal
3,485,173	A	12/1969	Morgan	7,032,492	B2	4/2006	Meshirer
3,609,904	A	10/1971	Scanlon	D540,710	S *	4/2007	Charrin D11/147
3,659,528	A	5/1972	Santala	7,204,191	B2	4/2007	Wiley et al.
3,688,699	A	9/1972	Horn et al.	7,213,519	B2	5/2007	Wiley et al.
3,690,256	A	9/1972	Schnitzer	7,231,519	B2	6/2007	Joseph et al.
3,745,924	A	7/1973	Scanlon	7,232,473	B2	6/2007	Elliott
3,749,021	A	7/1973	Burgess	7,299,750	B2	11/2007	Schikora et al.
3,756,156	A	9/1973	Schuster	7,353,756	B2	4/2008	Leasure
3,765,297	A	10/1973	Skochko et al.	7,392,746	B2	7/2008	Hansen
3,768,413	A	10/1973	Ramsay	D583,927	S *	12/2008	Benner D24/106
3,797,396	A	3/1974	Reed	7,461,597	B2	12/2008	Brunn
3,842,739	A	10/1974	Scanlon et al.	7,585,166	B2	9/2009	Buja
3,866,536	A	2/1975	Greenberg	7,610,858	B2	11/2009	Chung
3,874,294	A	4/1975	Hale	7,750,091	B2	7/2010	Maljkovic et al.
3,955,506	A	5/1976	Luther et al.	D626,619	S *	11/2010	Gogol D22/116
3,977,326	A	8/1976	Anderson et al.	D631,699	S *	2/2011	Moreau D7/509
3,990,366	A	11/1976	Scanlon	D633,166	S *	2/2011	Richardson D22/116
4,020,763	A	5/1977	Iruretagoyena	7,930,977	B2	4/2011	Klein
4,147,107	A	4/1979	Ringdal	8,007,370	B2	8/2011	Hirsch et al.
4,157,684	A	6/1979	Clausser	8,056,232	B2	11/2011	Patel et al.
4,173,186	A	11/1979	Dunham	8,156,870	B2	4/2012	South
4,187,271	A	2/1980	Rolston et al.	8,201,867	B2	6/2012	Thomeczek
4,228,724	A	10/1980	Leich	8,206,522	B2	6/2012	Sandstrom et al.
4,276,830	A	7/1981	Alice	8,240,252	B2	8/2012	Maljkovic et al.
D263,581	S *	3/1982	Kaye D13/103	D675,882	S *	2/2013	Crockett D7/601
4,475,435	A	10/1984	Mantel	8,408,137	B2	4/2013	Battaglia
4,598,445	A	7/1986	O'Connor	D683,419	S *	5/2013	Rebar D22/116
4,614,157	A	9/1986	Grelle et al.	8,443,729	B2	5/2013	Mittelstaedt
4,679,505	A	7/1987	Reed	8,443,730	B2	5/2013	Padgett
4,718,348	A	1/1988	Ferrigno	8,511,233	B2	8/2013	Nilsson
4,719,859	A	1/1988	Ballreich et al.	D689,975	S *	9/2013	Carlson D22/116
4,726,296	A	2/1988	Leshner et al.	8,522,684	B2	9/2013	Davies et al.
4,763,576	A	8/1988	Kass et al.	8,540,828	B2	9/2013	Busky et al.
4,867,065	A	9/1989	Kaltmann et al.	8,561,543	B2	10/2013	Burrow
5,033,386	A	7/1991	Vatsvog	8,573,126	B2	11/2013	Klein et al.
5,151,555	A	9/1992	Vatsvog	8,641,842	B2	2/2014	Hafner et al.
5,165,040	A	11/1992	Andersson et al.	8,689,696	B1	4/2014	Seeman et al.
5,237,930	A	8/1993	Belanger et al.	8,763,535	B2	7/2014	Padgett
5,259,288	A	11/1993	Vatsvog	8,790,455	B2	7/2014	Borissov et al.
D345,676	S *	4/1994	Biffle D7/510	8,807,008	B2	8/2014	Padgett et al.
5,433,148	A	7/1995	Barratault et al.	8,813,650	B2	8/2014	Maljkovic et al.
D380,650	S *	7/1997	Norris D7/619.1	D715,888	S	10/2014	Padgett
5,679,920	A *	10/1997	Hallis F42B 12/74 102/398	8,850,985	B2	10/2014	Maljkovic et al.
5,798,478	A	8/1998	Beal	8,857,343	B2	10/2014	Marx
5,950,063	A	9/1999	Hens et al.	8,869,702	B2	10/2014	Padgett
5,969,288	A	10/1999	Baud	D717,909	S *	11/2014	Thrift D22/116
6,004,682	A	12/1999	Rackovan et al.	8,875,633	B2	11/2014	Padgett
6,048,379	A	4/2000	Bray et al.	8,893,621	B1	11/2014	Escobar
6,070,532	A	6/2000	Halverson	D723,418	S *	3/2015	Thuma D11/143
6,108,974	A *	8/2000	Herzog-Mesrobian A47G 7/08 47/72	8,978,559	B2	3/2015	Davies et al.
D435,626	S *	12/2000	Benini D22/100	9,003,973	B1	4/2015	Padgett
D439,116	S *	3/2001	White D7/619.1	9,032,855	B1	5/2015	Foren et al.
D442,833	S *	5/2001	Shuman D7/608	9,091,516	B2	7/2015	Davies et al.
6,257,149	B1 *	7/2001	Cesaroni F42B 12/745 102/515	9,103,641	B2	8/2015	Nielson et al.
				9,157,709	B2	10/2015	Nuetzman et al.
				9,170,080	B2	10/2015	Poore et al.
				9,182,204	B2	11/2015	Maljkovic et al.
				9,188,412	B2	11/2015	Maljkovic et al.
				9,200,157	B2	12/2015	El-Hibri et al.
				9,200,880	B1	12/2015	Foren et al.
				9,212,876	B1	12/2015	Kostka et al.
				9,212,879	B2	12/2015	Whitworth
				9,213,175	B2	12/2015	Arnold
				9,254,503	B2	2/2016	Ward

(56)

References Cited

U.S. PATENT DOCUMENTS							
9,255,775	B1	2/2016	Rubin	10,048,049	B2	8/2018	Burrow
D752,397	S *	3/2016	Seiders D7/608	10,048,050	B1	8/2018	Burrow
D754,223	S *	4/2016	Pederson D15/90	10,048,052	B2	8/2018	Burrow
9,329,004	B2	5/2016	Pace	10,054,413	B1	8/2018	Burrow
9,335,137	B2	5/2016	Maljkovic et al.	D828,483	S	9/2018	Burrow
9,337,278	B1	5/2016	Gu et al.	D832,037	S *	10/2018	Gallagher D7/397
9,347,457	B2	5/2016	Ahrens et al.	D834,447	S *	11/2018	van Smirren A47G 7/07
9,366,512	B2	6/2016	Burczynski et al.				D11/143
9,377,278	B2	6/2016	Rubin	D839,676	S *	2/2019	Seiders D7/523
9,389,052	B2	7/2016	Conroy et al.	D839,677	S *	2/2019	Seiders D7/523
9,395,165	B2	7/2016	Maljkovic et al.	D843,788	S *	3/2019	Boroski D7/608
D764,624	S	8/2016	Masinelli	10,234,249	B2 *	3/2019	Burrow F42B 5/307
D765,214	S	8/2016	Padgett	10,234,253	B2 *	3/2019	Burrow F42B 5/307
9,429,407	B2	8/2016	Burrow	10,240,905	B2 *	3/2019	Burrow F42B 5/307
9,441,930	B2	9/2016	Burrow	2005/0192835	A1 *	9/2005	Kuo G06Q 50/22
9,453,714	B2	9/2016	Bosarge et al.				705/2
D773,009	S *	11/2016	Bowers D22/116	2006/0283345	A1 *	12/2006	Feldman F42B 12/365
9,500,453	B2	11/2016	Schluckebier et al.				102/430
9,506,735	B1	11/2016	Burrow	2007/0056343	A1	3/2007	Cremonesi
D773,250	S *	12/2016	Miller D7/523	2007/0181029	A1 *	8/2007	Mcaninch F41B 11/00
D774,824	S *	12/2016	Gallagher D7/313				102/430
9,513,096	B2	12/2016	Burrow	2007/0204511	A1 *	9/2007	Lee A47G 7/06
9,518,810	B1	12/2016	Burrow				47/66.1
9,523,563	B1	12/2016	Burrow	2010/0234132	A1	9/2010	Hirsch et al.
9,528,799	B2	12/2016	Maljkovic	2011/0036000	A1 *	2/2011	Verdecia A47G 7/06
9,546,849	B2	1/2017	Burrow				47/41.1
9,551,557	B1	1/2017	Burrow	2011/0179965	A1	7/2011	Mason
D778,391	S	2/2017	Burrow	2012/0111219	A1 *	5/2012	Burrow F42B 5/307
D778,393	S	2/2017	Burrow				102/467
D778,394	S	2/2017	Burrow	2012/0180685	A1 *	7/2012	O F42B 8/14
D778,395	S	2/2017	Burrow				102/334
D779,021	S	2/2017	Burrow	2012/0291655	A1 *	11/2012	Jones F42B 8/14
D779,024	S	2/2017	Burrow				102/502
D780,283	S *	2/2017	Burrow D22/116	2013/0186294	A1 *	7/2013	Davies F42B 5/307
D780,533	S *	3/2017	Seiders D7/608				102/467
9,587,918	B1	3/2017	Burrow	2013/0291711	A1	11/2013	Mason
9,599,443	B2	3/2017	Padgett et al.	2014/0260925	A1	9/2014	Beach et al.
D784,137	S *	4/2017	Cates D9/500	2014/0261044	A1 *	9/2014	Seecamp F42B 12/36
9,625,241	B2	4/2017	Neugebauer				102/464
9,631,907	B2	4/2017	Burrow	2014/0311332	A1 *	10/2014	Carlson F42B 5/045
D786,025	S *	5/2017	Seiders D7/606				89/191.01
9,644,930	B1	5/2017	Burrow	2015/0226220	A1	8/2015	Bevington
9,658,042	B2	5/2017	Emary	2016/0003589	A1	1/2016	Burrow
D788,636	S *	6/2017	Paternostre D11/143	2016/0003590	A1	1/2016	Burrow
D790,392	S *	6/2017	Paternostre D11/143	2016/0003593	A1	1/2016	Burrow
9,683,818	B2	6/2017	Lemke et al.	2016/0003594	A1	1/2016	Burrow
9,709,368	B2	7/2017	Mahnke	2016/0003595	A1	1/2016	Burrow
D793,172	S *	8/2017	Medina D7/624.2	2016/0003596	A1	1/2016	Burrow
D797,880	S *	9/2017	Seecamp D22/116	2016/0003597	A1	1/2016	Burrow
9,759,554	B2	9/2017	Ng et al.	2016/0003601	A1	1/2016	Burrow
D800,244	S *	10/2017	Burczynski D22/115	2016/0033241	A1	2/2016	Burrow
D800,245	S *	10/2017	Burczynski D22/115	2016/0102030	A1	4/2016	Coffey et al.
D800,246	S *	10/2017	Burczynski D22/115	2016/0245626	A1	8/2016	Drieling et al.
9,784,667	B2	10/2017	Lukay et al.	2016/0265886	A1 *	9/2016	Aldrich F42B 5/30
D801,753	S *	11/2017	Piper D7/624.2	2016/0349022	A1 *	12/2016	Burrow F42B 5/307
D805,856	S *	12/2017	Rivera D7/624.2	2016/0349023	A1	12/2016	Burrow
9,835,423	B2	12/2017	Burrow	2016/0349028	A1	12/2016	Burrow
9,835,427	B2	12/2017	Burrow	2016/0356581	A1 *	12/2016	Burrow F42B 5/36
9,857,151	B2	1/2018	Dionne et al.	2016/0356588	A1	12/2016	Burrow
9,869,536	B2	1/2018	Burrow	2016/0377399	A1	12/2016	Burrow
9,879,954	B2	1/2018	Hajar	2017/0080498	A1	3/2017	Burrow
9,885,551	B2	2/2018	Burrow	2017/0082409	A1	3/2017	Burrow
D813,975	S *	3/2018	White D22/116	2017/0082411	A1	3/2017	Burrow
9,921,040	B2	3/2018	Rubin	2017/0089673	A1	3/2017	Burrow
9,927,219	B2	3/2018	Burrow	2017/0089674	A1 *	3/2017	Burrow F42B 5/02
9,933,241	B2	4/2018	Burrow	2017/0089675	A1	3/2017	Burrow
9,939,236	B2	4/2018	Drobockyi et al.	2017/0089679	A1 *	3/2017	Burrow F42B 33/001
9,964,388	B1	5/2018	Burrow	2017/0115105	A1 *	4/2017	Burrow F42B 33/001
D821,536	S *	6/2018	Christiansen D22/116	2017/0153099	A9	6/2017	Burrow
9,989,339	B2	6/2018	Riess	2017/0205217	A9	7/2017	Burrow
D824,732	S *	8/2018	Hsiao D7/624.2	2017/0261299	A1 *	9/2017	Burrow F42C 19/083
10,041,770	B2	8/2018	Burrow	2017/0299352	A9	10/2017	Burrow
10,041,771	B1	8/2018	Burrow	2018/0066925	A1	3/2018	Skowron et al.
10,041,776	B1	8/2018	Burrow	2018/0106581	A1 *	4/2018	Rogers F42B 12/367
10,041,777	B1	8/2018	Burrow	2018/0224252	A1 *	8/2018	O'Rourke F42B 12/40
				2018/0224253	A1	8/2018	Burrow
				2018/0259310	A1	9/2018	Burrow
				2018/0306558	A1	10/2018	Padgett et al.

(56)

References Cited

U.S. PATENT DOCUMENTS

2019/0011232 A1 1/2019 Boss et al.
 2019/0011233 A1 1/2019 Boss et al.
 2019/0011234 A1* 1/2019 Boss F42B 33/00
 2019/0011235 A1 1/2019 Boss et al.
 2019/0011236 A1 1/2019 Burrow
 2019/0011237 A1 1/2019 Burrow
 2019/0011238 A1 1/2019 Burrow
 2019/0011239 A1 1/2019 Burrow
 2019/0011240 A1 1/2019 Burrow
 2019/0011241 A1 1/2019 Burrow

FOREIGN PATENT DOCUMENTS

EP 2625486 A4 8/2017
 FR 1412414 A 10/1965
 GB 783023 A 9/1957
 WO 0034732 6/2000
 WO 2007014024 A2 2/2007
 WO 2012047615 A1 4/2012
 WO 2012097320 A1 7/2012
 WO 2012097317 A3 11/2012
 WO 2013070250 A1 5/2013

WO 2013096848 A1 6/2013
 WO 2014062256 A2 4/2014
 WO 2016003817 A1 1/2016

OTHER PUBLICATIONS

Luck Gunner.com, Review: Polymer Cased Rifle Ammunition from PCP Ammo, Published Jan. 6, 2014, [site visited Mar. 27, 2019], Available on the Internet URL <https://www.luckygunner.com/lounge/pcp-ammo-review/>.
 International Ammunition Association, Inc. website, Published in Apr. 2017, PCP Ammo Variation in U.S. Military Polymer/Metal Cartridge Case R&D, [site visited Mar. 29, 2019], Available on the Internet URL <https://forum.cartridgecollectors.org/t/pcp-ammo-variation-in-u-s-military-polymer-metal-cartridge-case-r-d/24400>.
 AccurateShooter.com Daily Bulletin “New PolyCase Ammunition and Injection-Molded Bullets” Jan. 11, 2015.
 Korean Intellectual Property Office (ISA), International Search Report and Written Opinion for PCT/US2011/062781 dated Nov. 30, 2012, 16 pp.
 Korean Intellectual Property Office (ISA), International Search Report and Written Opinion for PCT/US2015/038061 dated Sep. 21, 2015, 28 pages.

* cited by examiner

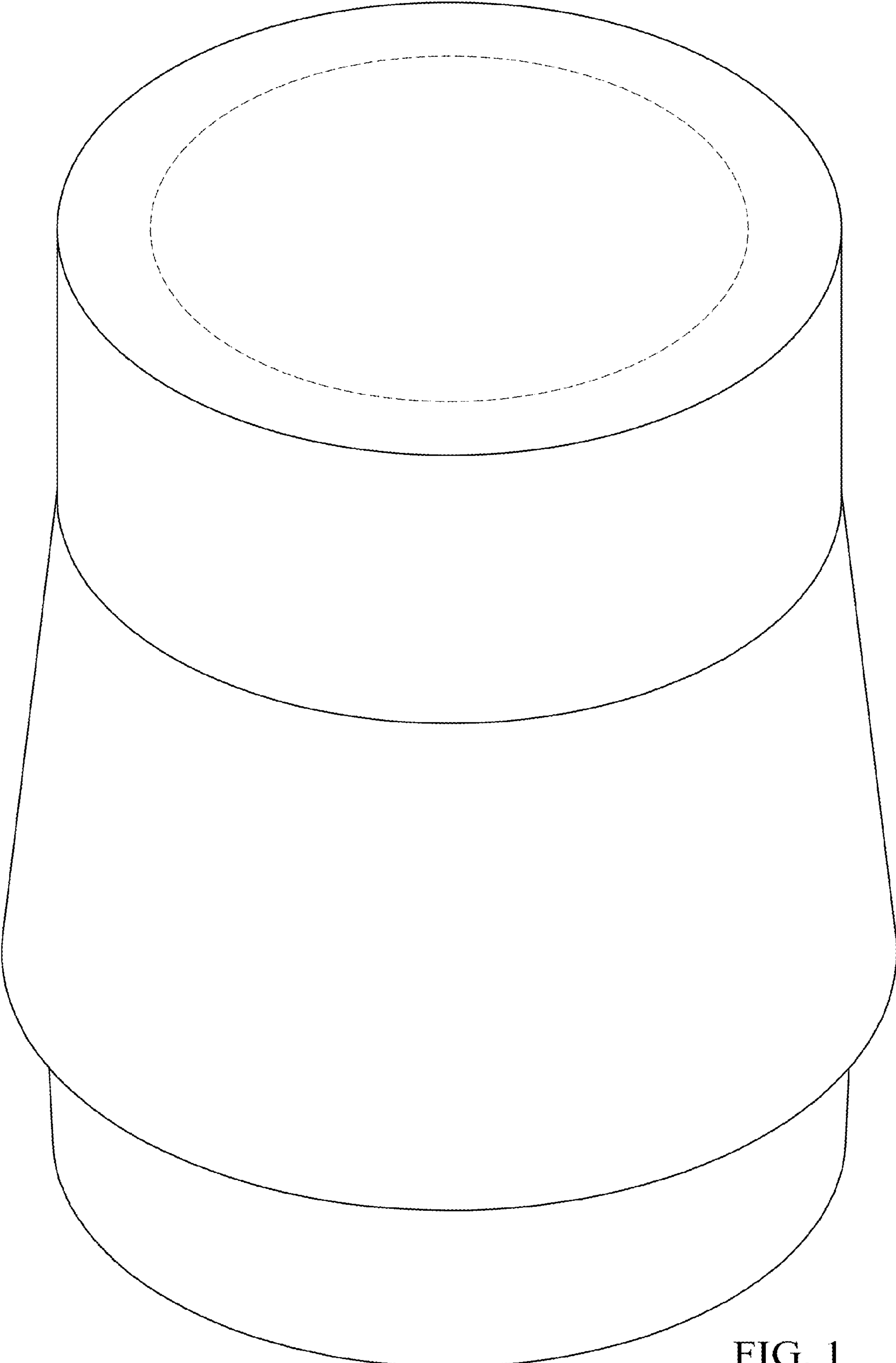


FIG. 1

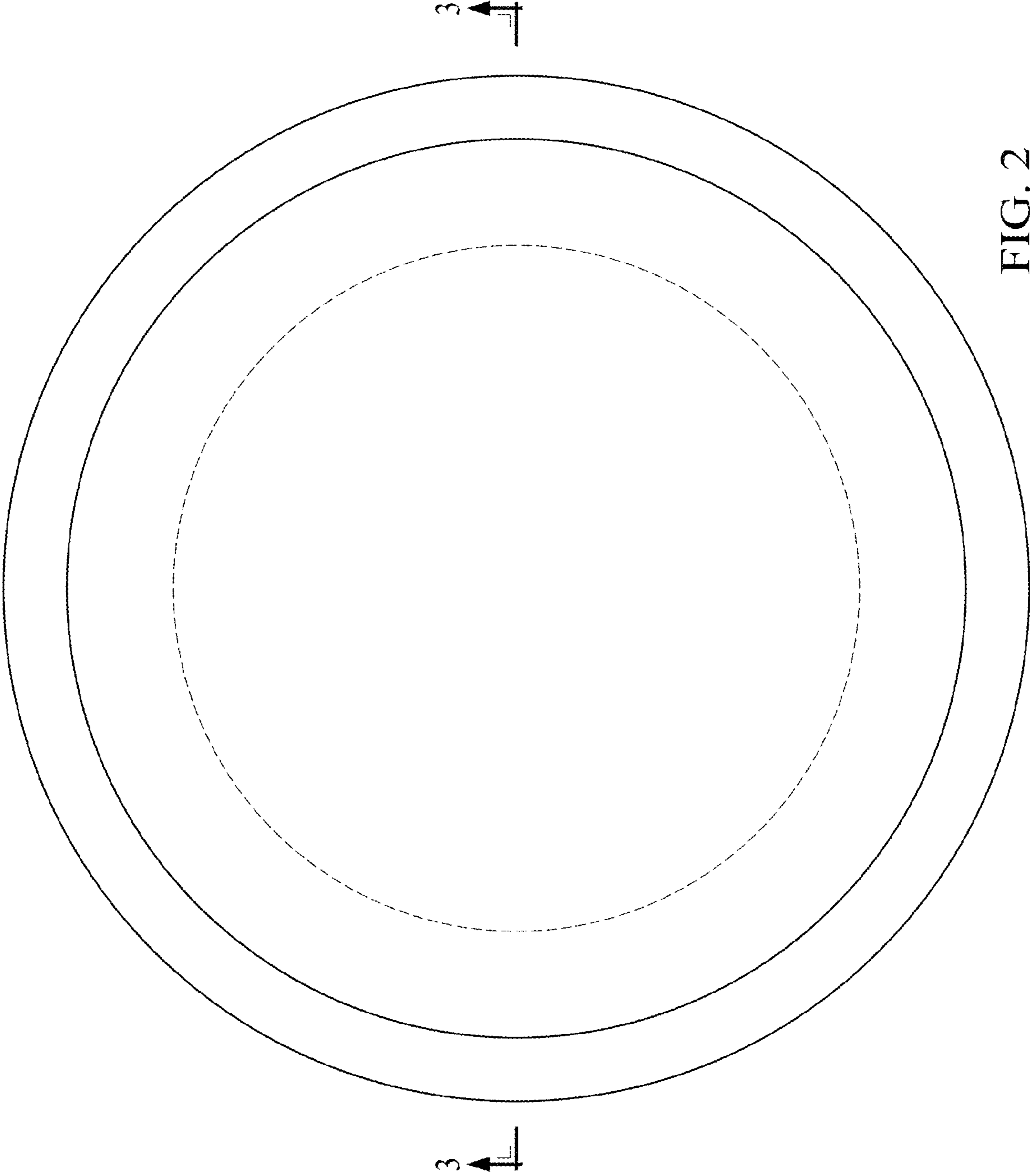


FIG. 2

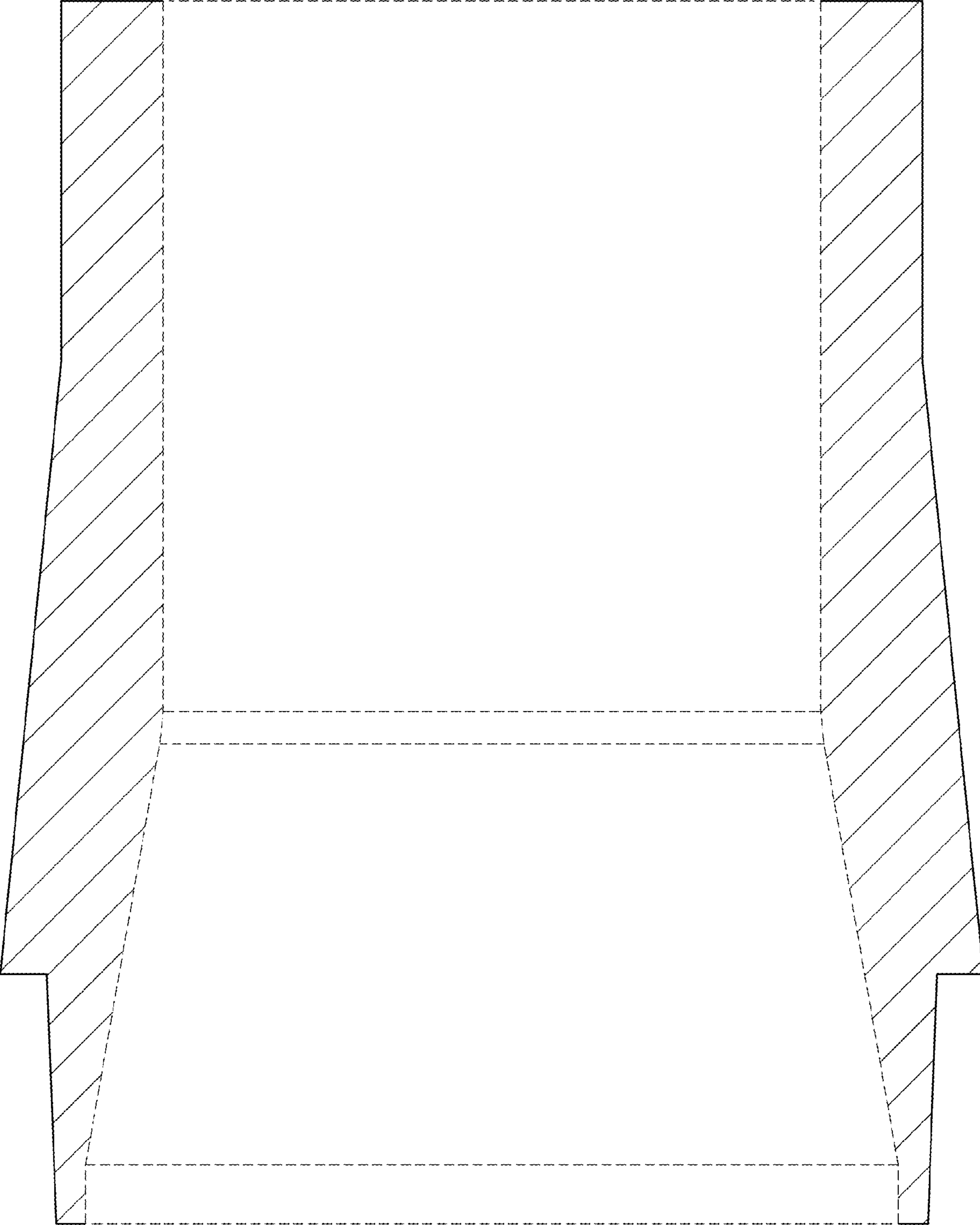


FIG. 3

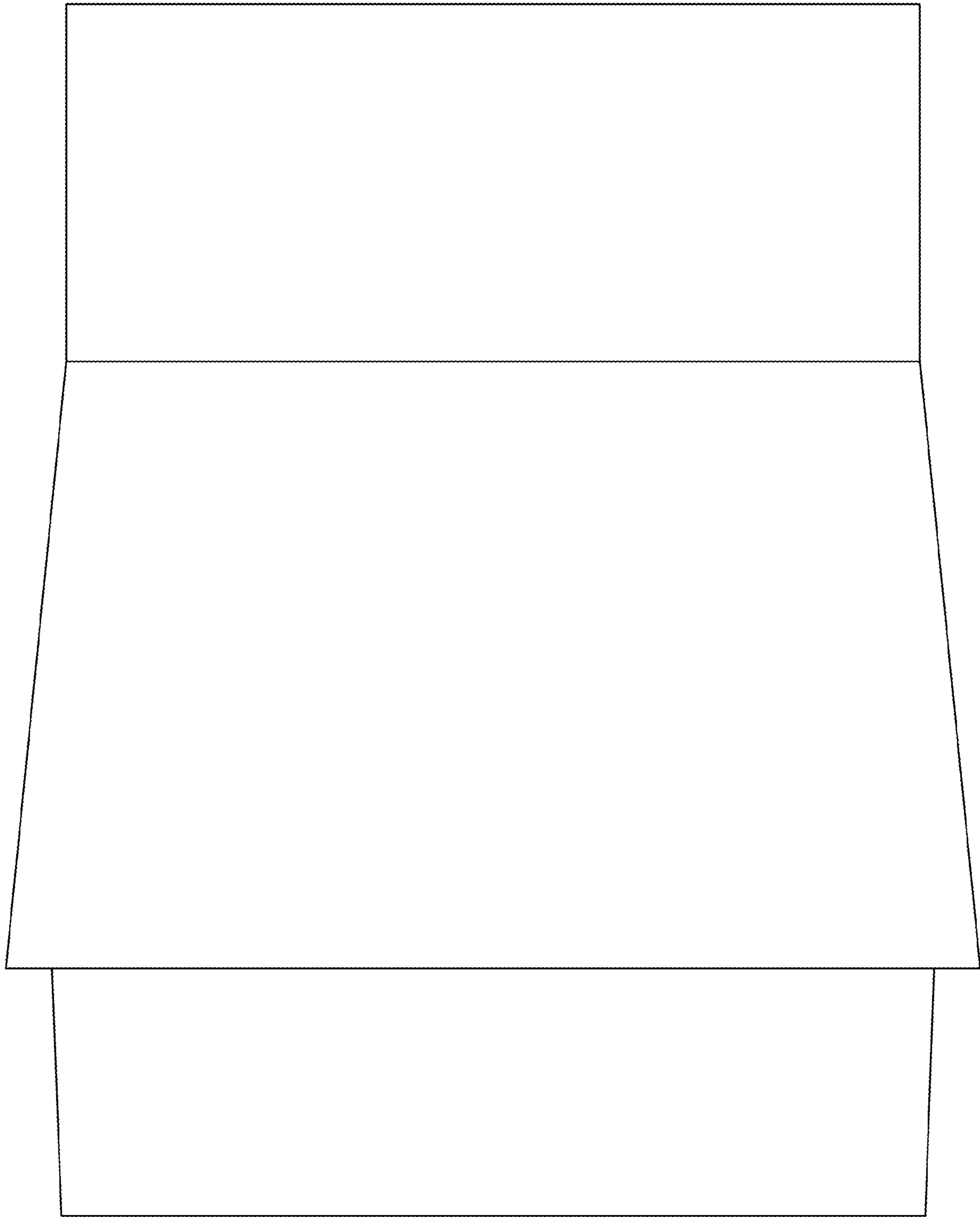


FIG. 4