



US00D882022S

(12) **United States Design Patent**
Burrow et al.

(10) **Patent No.:** **US D882,022 S**
(45) **Date of Patent:** **** Apr. 21, 2020**

- (54) **AMMUNITION CARTRIDGE**
- (71) Applicant: **TRUE VELOCITY IP HOLDINGS, LLC**, Garland, TX (US)
- (72) Inventors: **Lonnie Burrow**, Carrollton, TX (US);
Christopher William Overton, Richardson, TX (US)
- (73) Assignee: **TRUE VELOCITY IP HOLDINGS, LLC**, Garland, TX (US)
- (**) Term: **15 Years**
- (21) Appl. No.: **29/644,816**
- (22) Filed: **Apr. 20, 2018**
- (51) **LOC (12) Cl.** **22-02**
- (52) **U.S. Cl.**
USPC **D22/116**
- (58) **Field of Classification Search**
USPC D22/115, 116; D11/143; D7/619.1
CPC F42B 5/26-38; F42B 33/00; F42B 8/14
See application file for complete search history.

- 1,940,657 A 12/1933 Woodford
- 2,294,822 A 9/1942 Norman
- 2,465,962 A 3/1949 Allen et al.
- 2,654,319 A 10/1953 Roske
- 2,823,611 A 2/1958 Thayer
- (Continued)

FOREIGN PATENT DOCUMENTS

- CA 2813634 A1 4/2012
- DE 16742 C 1/1882
- (Continued)

OTHER PUBLICATIONS

YouTube.com—TFB TV, Published on Jul. 2015, [site visited on Mar. 27, 2019], Available on the Internet URL <https://www.youtube.com/watch?v=mCjNkxHkEE> (Year: 2015).*

(Continued)

Primary Examiner — Karen S Acker
Assistant Examiner — Steven B Reinholdt, Jr.
(74) *Attorney, Agent, or Firm* — Chainey P. Singleton

(57) **CLAIM**

The ornamental design for an ammunition cartridge, as shown and described.

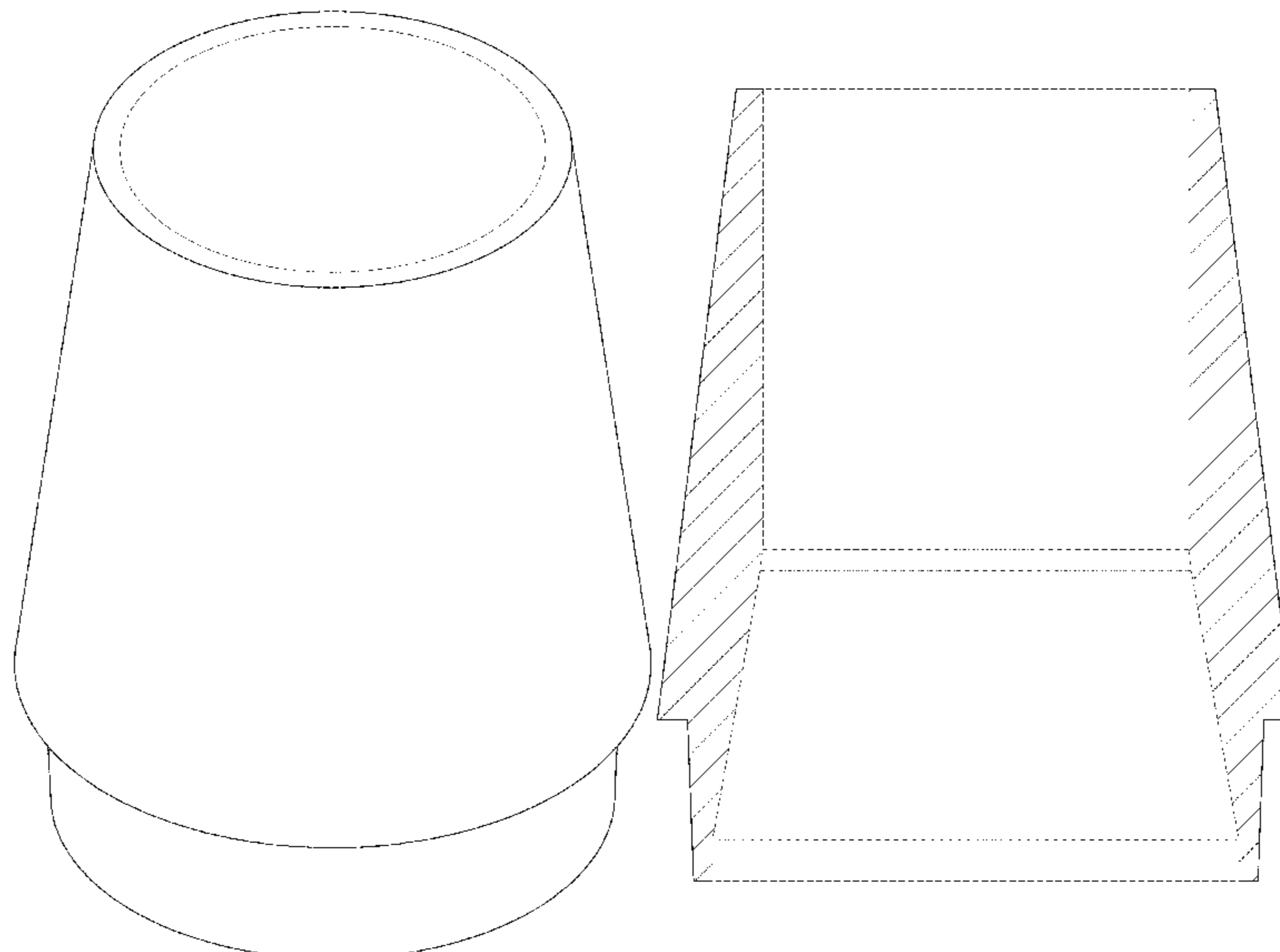
DESCRIPTION

FIG. 1 is an isometric view of an ammunition cartridge showing my new design.
FIG. 2 is a top view of an ammunition cartridge showing my new design.
FIG. 3 is a cross sectional view along 3-3 of FIG. 2 showing my new design of the ammunition cartridge; and,
FIG. 4 is a side view of an ammunition cartridge showing my new design.
The broken lines depict portions of the ammunition cartridge that form no part of the claim.

1 Claim, 4 Drawing Sheets

(56) **References Cited**
U.S. PATENT DOCUMENTS

- 99,528 A 2/1870 Boyd
- 113,634 A 4/1871 Crispin
- 130,679 A 8/1872 Whitmore
- 169,807 A 11/1875 Hart
- 462,611 A 11/1891 Comte de Sparre
- 498,856 A 6/1893 Overbaugh
- 640,856 A 1/1900 Bailey
- 662,137 A 11/1900 Tellerson
- 676,000 A 6/1901 Henneberg
- 865,979 A 9/1907 Bailey
- 869,046 A 10/1907 Bailey
- 905,358 A 12/1908 Peters
- 957,171 A 5/1910 Loeb
- 963,911 A 7/1910 Loeble
- 1,060,817 A 5/1913 Clyne
- 1,936,905 A 11/1933 Gaidos



(56)

References Cited

U.S. PATENT DOCUMENTS

- 2,862,446 A 12/1958 Lars
 2,918,868 A 12/1959 Lars
 3,099,958 A 8/1963 Daubenspeck et al.
 3,104,498 A * 9/1963 Miller A01G 9/021
 215/12.2
 3,128,029 A * 4/1964 Price B65D 1/265
 220/DIG. 14
 3,159,701 A 12/1964 Herter
 3,170,401 A 2/1965 Johnson et al.
 3,171,350 A 3/1965 Metcalf et al.
 3,242,789 A 3/1966 Woodring
 3,292,538 A 12/1966 Hans et al.
 3,485,170 A 12/1969 Scanlon
 3,485,173 A 12/1969 Morgan
 3,609,904 A 10/1971 Scanlon
 3,659,528 A 5/1972 Santala
 3,688,699 A 9/1972 Horn et al.
 3,690,256 A 9/1972 Schnitzer
 3,745,924 A 7/1973 Scanlon
 3,749,021 A 7/1973 Burgess
 3,756,156 A 9/1973 Schuster
 3,765,297 A 10/1973 Skochko et al.
 3,768,413 A 10/1973 Ramsay
 3,797,396 A 3/1974 Reed
 3,842,739 A 10/1974 Scanlon et al.
 3,866,536 A 2/1975 Greenberg
 3,874,294 A 4/1975 Hale
 3,955,506 A 5/1976 Luther et al.
 3,977,326 A 8/1976 Anderson et al.
 3,990,366 A 11/1976 Scanlon
 4,020,763 A 5/1977 Iruetagoyena
 4,147,107 A 4/1979 Ringdal
 4,157,684 A 6/1979 Clausser
 4,173,186 A 11/1979 Dunham
 4,187,271 A 2/1980 Rolston et al.
 4,228,724 A 10/1980 Leich
 4,276,830 A 7/1981 Alice
 D263,581 S * 3/1982 Kaye D13/103
 4,475,435 A 10/1984 Mantel
 4,598,445 A 7/1986 O'Connor
 4,614,157 A 9/1986 Grelle et al.
 4,679,505 A 7/1987 Reed
 4,718,348 A 1/1988 Ferrigno
 4,719,859 A 1/1988 Ballreich et al.
 4,726,296 A 2/1988 Leshner et al.
 4,763,576 A 8/1988 Kass et al.
 4,867,065 A 9/1989 Kaltmann et al.
 5,033,386 A 7/1991 Vatsvog
 5,151,555 A 9/1992 Vatsvog
 5,165,040 A 11/1992 Andersson et al.
 5,237,930 A 8/1993 Belanger et al.
 5,259,288 A 11/1993 Vatsvog
 D345,676 S * 4/1994 Biffle D7/510
 5,433,148 A 7/1995 Barratault et al.
 D380,650 S * 7/1997 Norris D7/619.1
 5,679,920 A * 10/1997 Hallis F42B 12/74
 102/398
 5,798,478 A 8/1998 Beal
 5,950,063 A 9/1999 Hens et al.
 5,969,288 A 10/1999 Baud
 6,004,682 A 12/1999 Rackovan et al.
 6,048,379 A 4/2000 Bray et al.
 6,070,532 A 6/2000 Halverson
 6,108,974 A * 8/2000 Herzog-Mesrobian
 A47G 7/08
 47/72
 D435,626 S * 12/2000 Benini D22/100
 D439,116 S * 3/2001 White D7/619.1
 D442,833 S * 5/2001 Shuman D7/608
 6,257,149 B1 * 7/2001 Cesaroni F42B 12/745
 102/515
 D447,209 S * 8/2001 Benini D22/116
 6,272,993 B1 8/2001 Cook et al.
 6,357,357 B1 3/2002 Glasser
- D455,052 S * 4/2002 Gullickson et al. D7/619.1
 D455,320 S * 4/2002 Edelman D7/619.1
 6,375,971 B1 4/2002 Hansen
 6,382,449 B1 * 5/2002 Kazmierski B65D 3/14
 220/4.03
 6,450,099 B1 9/2002 Desglan
 6,460,464 B1 10/2002 Attarwala
 6,523,476 B1 2/2003 Riess et al.
 D478,530 S * 8/2003 Sachuk D11/143
 6,708,621 B1 3/2004 Forichon-Chaumet et al.
 6,752,084 B1 6/2004 Husseini et al.
 6,840,149 B2 1/2005 Beal
 7,032,492 B2 4/2006 Meshirer
 D540,710 S * 4/2007 Charrin D11/147
 7,204,191 B2 4/2007 Wiley et al.
 7,213,519 B2 5/2007 Wiley et al.
 7,231,519 B2 6/2007 Joseph et al.
 7,232,473 B2 6/2007 Elliott
 7,299,750 B2 11/2007 Schikora et al.
 7,353,756 B2 4/2008 Leasure
 7,392,746 B2 7/2008 Hansen
 D583,927 S * 12/2008 Benner D24/106
 7,461,597 B2 12/2008 Brunn
 7,585,166 B2 9/2009 Buja
 7,610,858 B2 11/2009 Chung
 7,750,091 B2 7/2010 Maljkovic et al.
 D626,619 S * 11/2010 Gogol D22/116
 D631,699 S * 2/2011 Moreau D7/509
 D633,166 S * 2/2011 Richardson D22/116
 7,930,977 B2 4/2011 Klein
 8,007,370 B2 8/2011 Hirsch et al.
 8,056,232 B2 11/2011 Patel et al.
 8,156,870 B2 4/2012 South
 8,201,867 B2 6/2012 Thomeczek
 8,206,522 B2 6/2012 Sandstrom et al.
 8,240,252 B2 8/2012 Maljkovic et al.
 D675,882 S * 2/2013 Crockett D7/601
 8,408,137 B2 4/2013 Battaglia
 D683,419 S * 5/2013 Rebar D22/116
 8,443,729 B2 5/2013 Mittelstaedt
 8,443,730 B2 5/2013 Padgett
 8,511,233 B2 8/2013 Nilsson
 D689,975 S * 9/2013 Carlson D22/116
 8,522,684 B2 9/2013 Davies et al.
 8,540,828 B2 9/2013 Busky et al.
 8,561,543 B2 10/2013 Burrow
 8,573,126 B2 11/2013 Klein et al.
 8,641,842 B2 2/2014 Hafner et al.
 8,689,696 B1 4/2014 Seeman et al.
 8,763,535 B2 7/2014 Padgett
 8,790,455 B2 7/2014 Borissov et al.
 8,807,008 B2 8/2014 Padgett et al.
 8,813,650 B2 8/2014 Maljkovic et al.
 D715,888 S 10/2014 Padgett
 8,850,985 B2 10/2014 Maljkovic et al.
 8,857,343 B2 10/2014 Marx
 8,869,702 B2 10/2014 Padgett
 D717,909 S * 11/2014 Thrift D22/116
 8,875,633 B2 11/2014 Padgett
 8,893,621 B1 11/2014 Escobar
 D723,418 S * 3/2015 Thuma D11/143
 8,978,559 B2 3/2015 Davies et al.
 9,003,973 B1 4/2015 Padgett
 9,032,855 B1 5/2015 Foren et al.
 9,091,516 B2 7/2015 Davies et al.
 9,103,641 B2 8/2015 Nielson et al.
 9,157,709 B2 10/2015 Nuetzman et al.
 9,170,080 B2 10/2015 Poore et al.
 9,182,204 B2 11/2015 Maljkovic et al.
 9,188,412 B2 11/2015 Maljkovic et al.
 9,200,157 B2 12/2015 El-Hibri et al.
 9,200,880 B1 12/2015 Foren et al.
 9,212,876 B1 12/2015 Kostka et al.
 9,212,879 B2 12/2015 Whitworth
 9,213,175 B2 12/2015 Arnold
 9,254,503 B2 2/2016 Ward
 9,255,775 B1 2/2016 Rubin
 D752,397 S * 3/2016 Seiders D7/608
 D754,223 S * 4/2016 Pederson D15/90

(56)

References Cited

U.S. PATENT DOCUMENTS

9,329,004 B2	5/2016	Pace	10,054,413 B1	8/2018	Burrow
9,335,137 B2	5/2016	Maljkovic et al.	D828,483 S	9/2018	Burrow
9,337,278 B1	5/2016	Gu et al.	D832,037 S *	10/2018	Gallagher D7/397
9,347,457 B2	5/2016	Ahrens et al.	D834,447 S *	11/2018	van Smirren A47G 7/07
9,366,512 B2	6/2016	Burczynski et al.			D11/143
9,377,278 B2	6/2016	Rubin	D839,676 S *	2/2019	Seiders D7/523
9,389,052 B2	7/2016	Conroy et al.	D839,677 S *	2/2019	Seiders D7/523
9,395,165 B2	7/2016	Maljkovic et al.	D843,788 S *	3/2019	Boroski D7/608
D764,624 S	8/2016	Masinelli	10,234,249 B2 *	3/2019	Burrow F42B 5/307
D765,214 S	8/2016	Padgett	10,234,253 B2 *	3/2019	Burrow F42B 5/307
9,429,407 B2	8/2016	Burrow	10,240,905 B2 *	3/2019	Burrow F42B 5/307
9,441,930 B2	9/2016	Burrow	2005/0192835 A1 *	9/2005	Kuo G06Q 50/22
9,453,714 B2	9/2016	Bosarge et al.			705/2
D773,009 S *	11/2016	Bowers D22/116	2006/0283345 A1 *	12/2006	Feldman F42B 12/365
9,500,453 B2	11/2016	Schluckebier et al.			102/430
9,506,735 B1	11/2016	Burrow	2007/0056343 A1	3/2007	Cremonesi
D773,250 S *	12/2016	Miller D7/523	2007/0181029 A1 *	8/2007	Mcaninch F41B 11/00
D774,824 S *	12/2016	Gallagher D7/313			102/430
9,513,096 B2	12/2016	Burrow	2007/0204511 A1 *	9/2007	Lee A47G 7/06
9,518,810 B1	12/2016	Burrow			47/66.1
9,523,563 B1	12/2016	Burrow	2010/0234132 A1	9/2010	Hirsch et al.
9,528,799 B2	12/2016	Maljkovic	2011/0036000 A1 *	2/2011	Verdecia A47G 7/06
9,546,849 B2	1/2017	Burrow			47/41.1
9,551,557 B1	1/2017	Burrow	2011/0179965 A1	7/2011	Mason
D778,391 S	2/2017	Burrow	2012/0111219 A1 *	5/2012	Burrow F42B 5/307
D778,393 S	2/2017	Burrow			102/467
D778,394 S	2/2017	Burrow	2012/0180685 A1 *	7/2012	O F42B 8/14
D778,395 S	2/2017	Burrow			102/334
D779,021 S	2/2017	Burrow	2012/0291655 A1 *	11/2012	Jones F42B 8/14
D779,024 S	2/2017	Burrow			102/502
D780,283 S *	2/2017	Burrow D22/116	2013/0186294 A1 *	7/2013	Davies F42B 5/307
D780,533 S *	3/2017	Seiders D7/608			102/467
9,587,918 B1	3/2017	Burrow	2013/0291711 A1	11/2013	Mason
9,599,443 B2	3/2017	Padgett et al.	2014/0260925 A1	9/2014	Beach et al.
D784,137 S *	4/2017	Cates D9/500	2014/0261044 A1 *	9/2014	Seecamp F42B 12/36
9,625,241 B2	4/2017	Neugebauer			102/464
9,631,907 B2	4/2017	Burrow	2014/0311332 A1 *	10/2014	Carlson F42B 5/045
D786,025 S *	5/2017	Seiders D7/606			89/191.01
9,644,930 B1	5/2017	Burrow	2015/0226220 A1	8/2015	Bevington
9,658,042 B2	5/2017	Emary	2016/0003589 A1	1/2016	Burrow
D788,636 S *	6/2017	Paternostre D11/143	2016/0003590 A1	1/2016	Burrow
D790,392 S *	6/2017	Paternostre D11/143	2016/0003593 A1	1/2016	Burrow
9,683,818 B2	6/2017	Lemke et al.	2016/0003594 A1	1/2016	Burrow
9,709,368 B2	7/2017	Mahnke	2016/0003595 A1	1/2016	Burrow
D793,172 S *	8/2017	Medina D7/624.2	2016/0003596 A1	1/2016	Burrow
D797,880 S *	9/2017	Seecamp D22/116	2016/0003597 A1	1/2016	Burrow
9,759,554 B2	9/2017	Ng et al.	2016/0003601 A1	1/2016	Burrow
D800,244 S *	10/2017	Burczynski D22/115	2016/0033241 A1	2/2016	Burrow
D800,245 S *	10/2017	Burczynski D22/115	2016/0102030 A1	4/2016	Coffey et al.
D800,246 S *	10/2017	Burczynski D22/115	2016/0245626 A1	8/2016	Drieling et al.
9,784,667 B2	10/2017	Lukay et al.	2016/0265886 A1 *	9/2016	Aldrich F42B 5/30
D801,753 S *	11/2017	Piper D7/624.2	2016/0349022 A1 *	12/2016	Burrow F42B 5/307
D805,856 S *	12/2017	Rivera D7/624.2	2016/0349023 A1	12/2016	Burrow
9,835,423 B2	12/2017	Burrow	2016/0349028 A1	12/2016	Burrow
9,835,427 B2	12/2017	Burrow	2016/0356581 A1 *	12/2016	Burrow F42B 5/36
9,857,151 B2	1/2018	Dionne et al.	2016/0356588 A1	12/2016	Burrow
9,869,536 B2	1/2018	Burrow	2016/0377399 A1	12/2016	Burrow
9,879,954 B2	1/2018	Hajar	2017/0080498 A1	3/2017	Burrow
9,885,551 B2	2/2018	Burrow	2017/0082409 A1	3/2017	Burrow
D813,975 S *	3/2018	White D22/116	2017/0082411 A1	3/2017	Burrow
9,921,040 B2	3/2018	Rubin	2017/0089673 A1	3/2017	Burrow
9,927,219 B2	3/2018	Burrow	2017/0089674 A1 *	3/2017	Burrow F42B 5/02
9,933,241 B2	4/2018	Burrow	2017/0089675 A1	3/2017	Burrow
9,939,236 B2	4/2018	Drobockyi et al.	2017/0089679 A1 *	3/2017	Burrow F42B 33/001
9,964,388 B1	5/2018	Burrow	2017/0115105 A1 *	4/2017	Burrow F42B 33/001
D821,536 S *	6/2018	Christiansen D22/116	2017/0153099 A9	6/2017	Burrow
9,989,339 B2	6/2018	Riess	2017/0205217 A9	7/2017	Burrow
D824,732 S *	8/2018	Hsiao D7/624.2	2017/0261299 A1 *	9/2017	Burrow F42C 19/083
10,041,770 B2	8/2018	Burrow	2017/0299352 A9	10/2017	Burrow
10,041,771 B1	8/2018	Burrow	2018/0066925 A1	3/2018	Skowron et al.
10,041,776 B1	8/2018	Burrow	2018/0106581 A1 *	4/2018	Rogers F42B 12/367
10,041,777 B1	8/2018	Burrow	2018/0224252 A1 *	8/2018	O'Rourke F42B 12/40
10,048,049 B2	8/2018	Burrow	2018/0224253 A1	8/2018	Burrow
10,048,050 B1	8/2018	Burrow	2018/0259310 A1	9/2018	Burrow
10,048,052 B2	8/2018	Burrow	2018/0306558 A1	10/2018	Padgett et al.
			2019/0011232 A1	1/2019	Boss et al.
			2019/0011233 A1	1/2019	Boss et al.
			2019/0011234 A1 *	1/2019	Boss F42B 33/00

(56)

References Cited

OTHER PUBLICATIONS

U.S. PATENT DOCUMENTS

2019/0011235	A1	1/2019	Boss et al.
2019/0011236	A1	1/2019	Burrow
2019/0011237	A1	1/2019	Burrow
2019/0011238	A1	1/2019	Burrow
2019/0011239	A1	1/2019	Burrow
2019/0011240	A1	1/2019	Burrow
2019/0011241	A1	1/2019	Burrow

FOREIGN PATENT DOCUMENTS

EP	2625486	A4	8/2017
FR	1412414	A	10/1965
GB	783023	A	9/1957
WO	0034732		6/2000
WO	2007014024	A2	2/2007
WO	2012047615	A1	4/2012
WO	2012097320	A1	7/2012
WO	2012097317	A3	11/2012
WO	2013070250	A1	5/2013
WO	2013096848	A1	6/2013
WO	2014062256	A2	4/2014
WO	2016003817	A1	1/2016

Luck Gunner.com, Review: Polymer Cased Rifle Ammunition from PCP Ammo, Published Jan. 2014, [site visited Mar. 2019], Available on the Internet URL <https://www.luckygunner.com/lounge/pcp-ammo-review/> (Year: 2014).*

Shop Your Way, Renuzit Adjustables Aroma Air Freshener, Publication date Nov. 2012, [site visited Apr. 18, 2019], Available on the Internet URL <https://www.shopyourway.com/renuzit-adjustables-aroma-air-freshener-paradise-breeze-7-5-oz-212-g/140982425> (Year: 2012).*

International Ammunition Association website, Published in Apr. 2017, PCP Ammo Variation in U.S. Military Polymer/Metal Cartridge Case, [visited Mar. 29, 2019], Available on the Internet URL <https://forum.cartridgecollectors.org/t/pcp-ammo-variation-in-u-s-military-polymer-metal-cartridge-case-r-d/24400> (Year: 2017).*

AccurateShooter.com Daily Bulletin "New PolyCase Ammunition and Injection-Molded Bullets" Jan. 11, 2015.

Korean Intellectual Property Office (ISA), International Search Report and Written Opinion for PCT/US2011/062781 dated Nov. 30, 2012, 16 pp.

Korean Intellectual Property Office (ISA), International Search Report and Written Opinion for PCT/US2015/038061 dated Sep. 21, 2015, 28 pages.

* cited by examiner

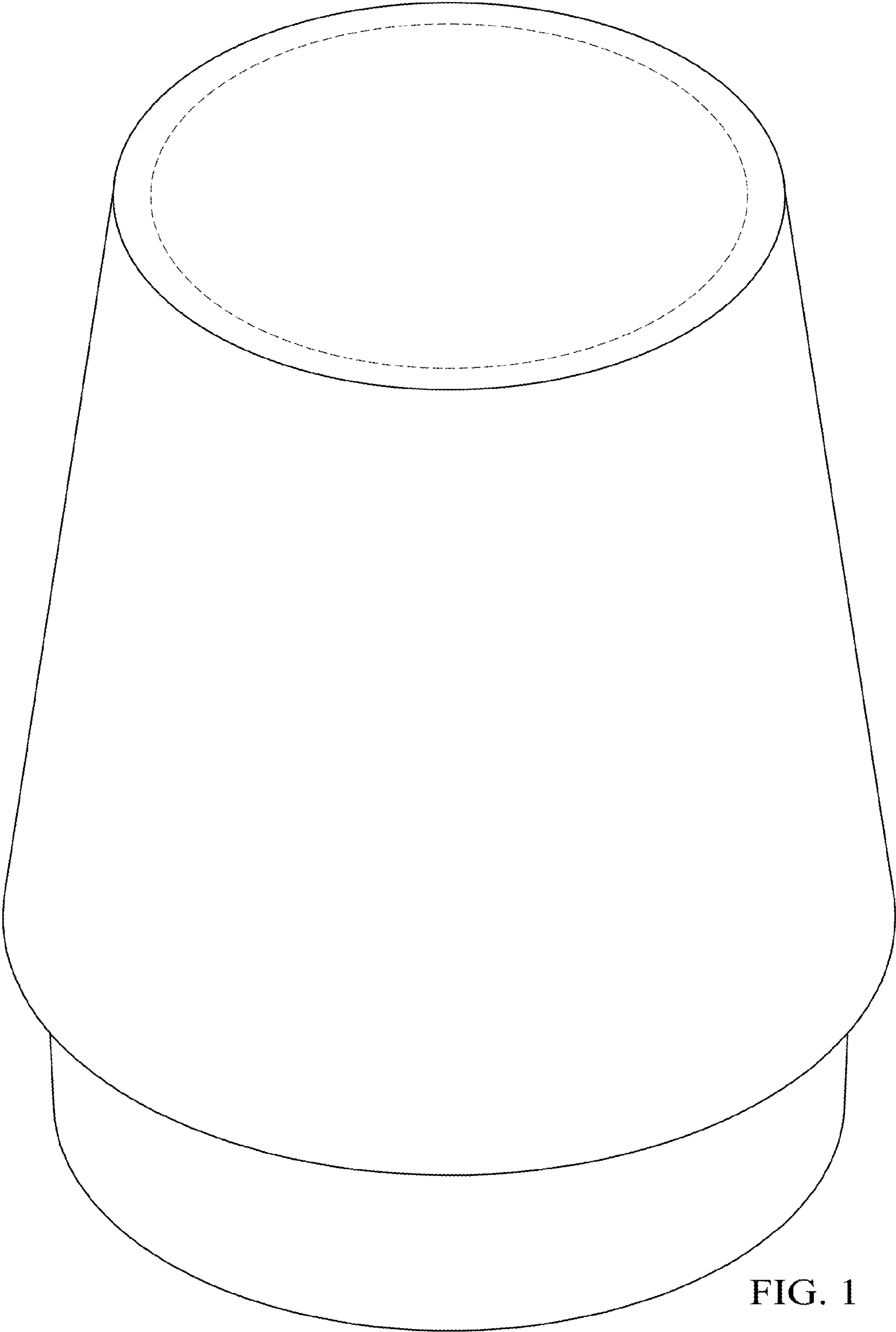
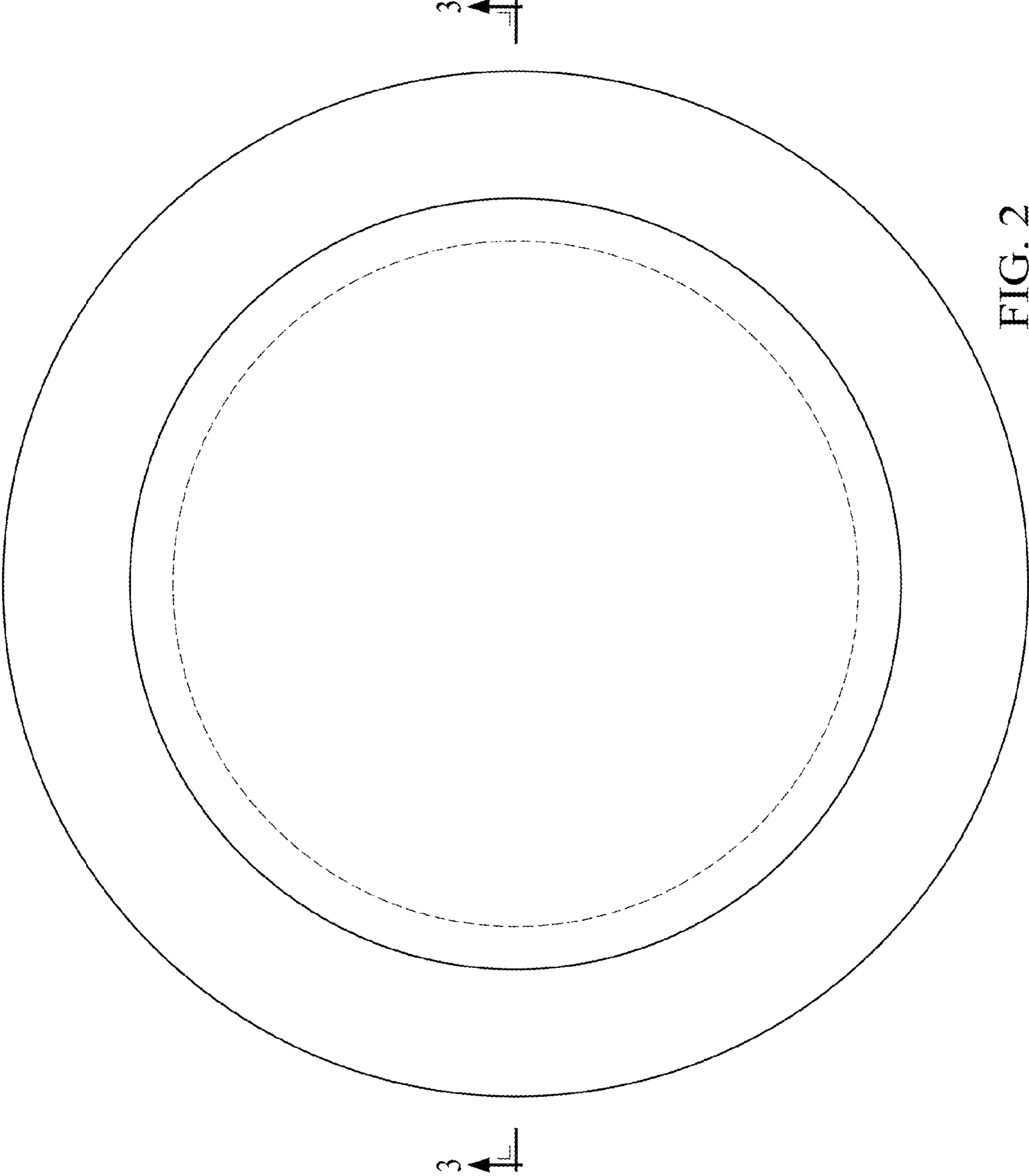


FIG. 1



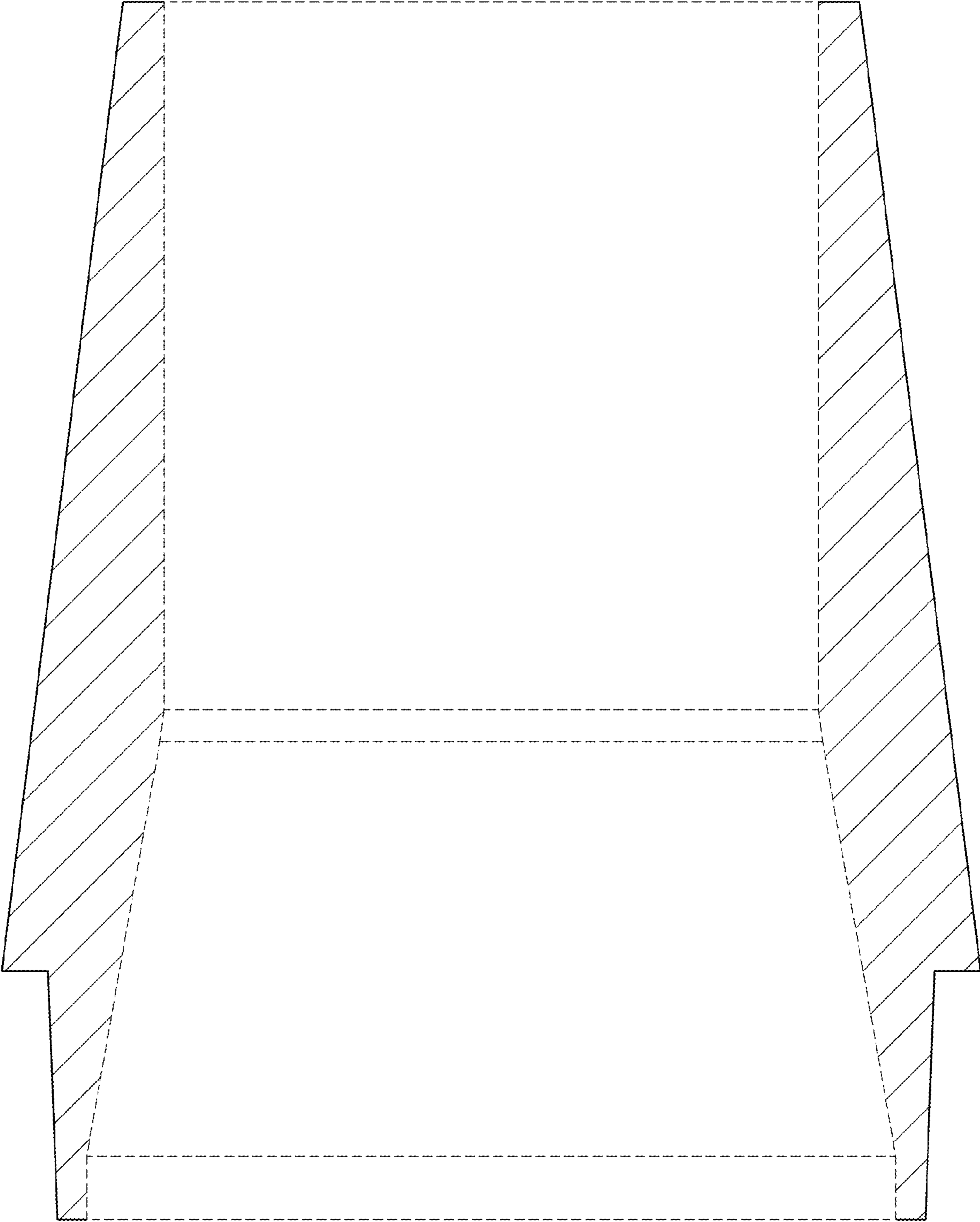


FIG. 3

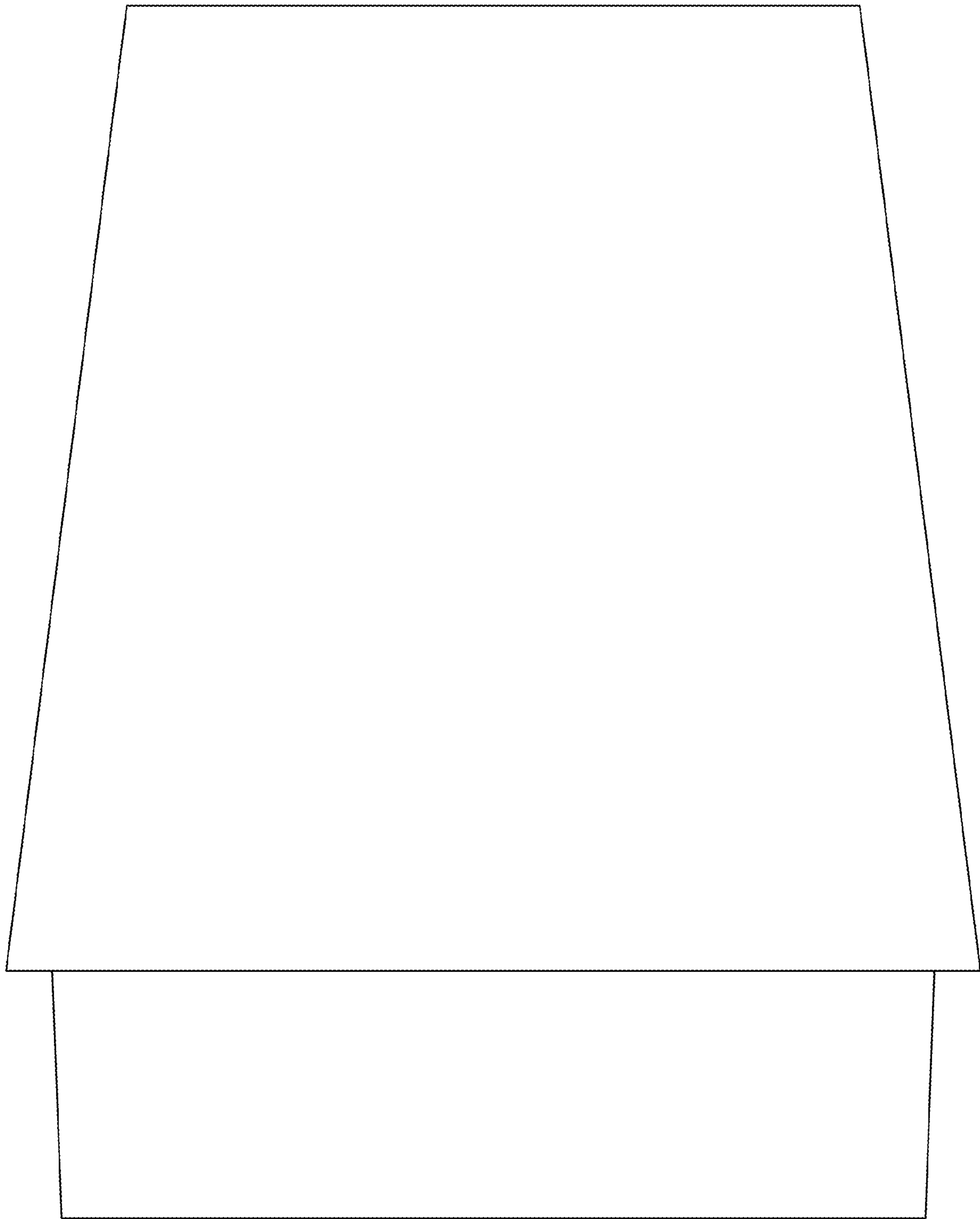


FIG. 4