



US00D882021S

(12) **United States Design Patent**
Burrow et al.

(10) **Patent No.:** **US D882,021 S**
(45) **Date of Patent:** **** Apr. 21, 2020**

- (54) **AMMUNITION CARTRIDGE**
- (71) Applicant: **TRUE VELOCITY IP HOLDINGS, LLC, Garland, TX (US)**
- (72) Inventors: **Lonnie Burrow, Carrollton, TX (US); Christopher William Overton, Richardson, TX (US)**
- (73) Assignee: **TRUE VELOCITY IP HOLDINGS, LLC, Garland, TX (US)**
- (**) Term: **15 Years**
- (21) Appl. No.: **29/644,808**
- (22) Filed: **Apr. 20, 2018**
- (51) **LOC (12) Cl.** **22-03**
- (52) **U.S. Cl.** **D22/116**
USPC **D22/116**
- (58) **Field of Classification Search**
USPC D22/115, 116; D11/143; D7/619.1
CPC F42B 5/26-38; F42B 33/00; F42B 8/14
See application file for complete search history.

- 963,911 A 7/1910 Loeble
- 1,060,817 A 5/1913 Clyne
- 1,936,905 A 11/1933 Gaidos
- 1,940,657 A 12/1933 Woodford
- 2,294,822 A 9/1942 Norman
- 2,465,962 A 3/1949 Allen et al.
- 2,654,319 A 10/1953 Roske
- (Continued)

FOREIGN PATENT DOCUMENTS

- CA 2813634 A1 4/2012
- DE 16742 C 1/1882
- (Continued)

OTHER PUBLICATIONS

YouTube.com—TFB TV, Published on Jul. 23, 2015, [site visited on Mar. 27, 2019], Available on the Internet URL https://www.youtube.com/watch?v=mCjNkxbHkEE.*

(Continued)

Primary Examiner — Karen S Acker
Assistant Examiner — Steven B Reinholdt, Jr.
 (74) *Attorney, Agent, or Firm* — Chainey P. Singleton

(57) **CLAIM**

The ornamental design for an ammunition cartridge, as shown and described.

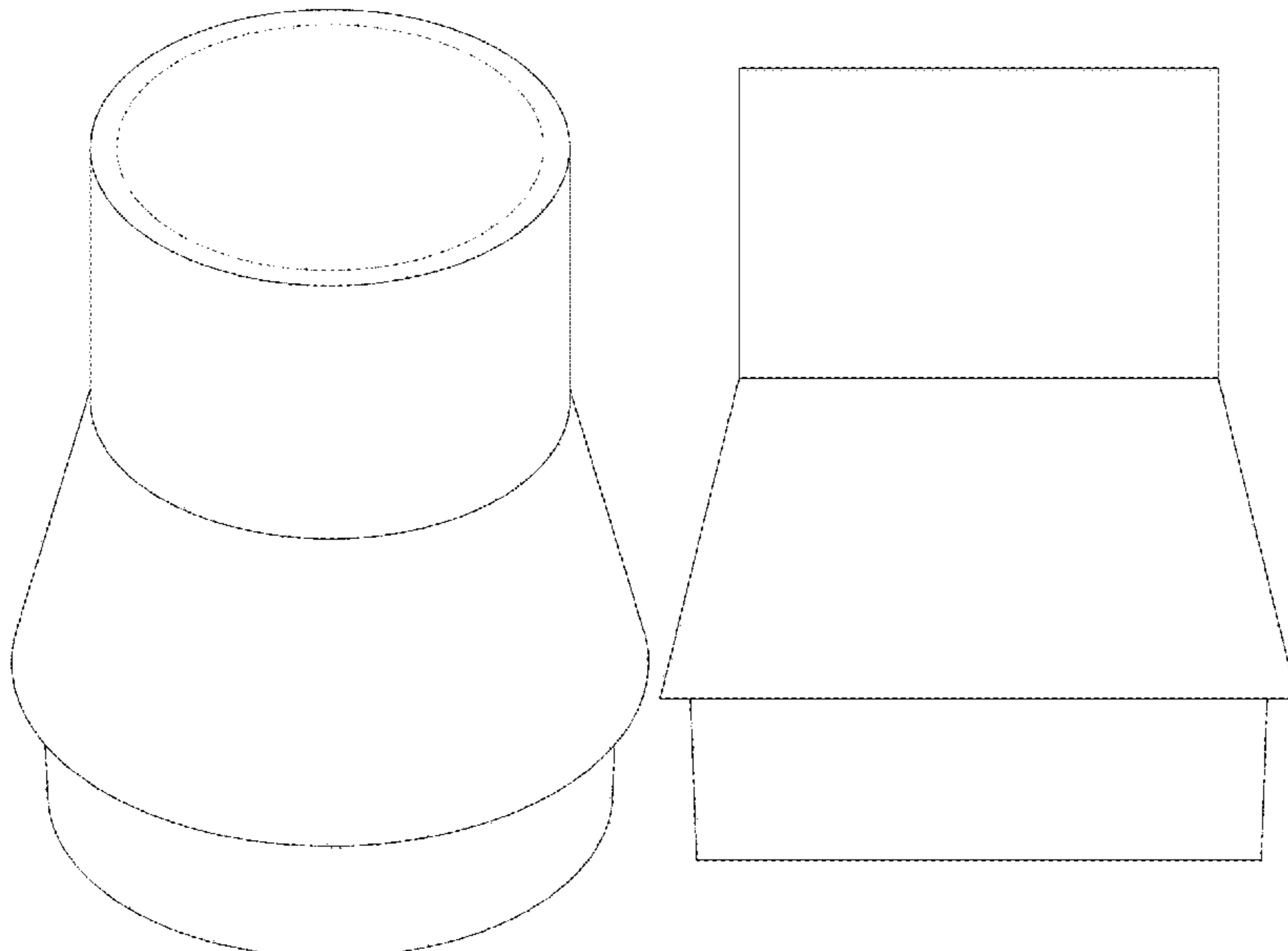
DESCRIPTION

FIG. 1 is an isometric view of an ammunition cartridge showing my new design.
 FIG. 2 is a top view of the ammunition cartridge of FIG. 1.
 FIG. 3 is a cross-sectional view taken along line 3-3 in FIG. 2 of the ammunition cartridge of FIG. 1; and,
 FIG. 4 is a side view of the ammunition cartridge of FIG. 1.
 The broken lines depict portions of the ammunition cartridge that form no part of the claim.

1 Claim, 4 Drawing Sheets

(56) **References Cited**
U.S. PATENT DOCUMENTS

- 99,528 A 2/1870 Boyd
- 113,634 A 4/1871 Crispin
- 130,679 A 8/1872 Whitmore
- 159,665 A 2/1875 Gauthey
- 169,807 A 11/1875 Hart
- 462,611 A 11/1891 Comte de Sparre
- 498,856 A 6/1893 Overbaugh
- 640,856 A 1/1900 Bailey
- 662,137 A 11/1900 Telleron
- 676,000 A 6/1901 Henneberg
- 865,979 A 9/1907 Bailey
- 869,046 A 10/1907 Bailey
- 905,358 A 12/1908 Peters
- 957,171 A 5/1910 Loeb



(56)

References Cited

U.S. PATENT DOCUMENTS

2,823,611 A	2/1958	Thayer		6,357,357 B1	3/2002	Glasser	
2,862,446 A	12/1958	Lars		D455,052 S *	4/2002	Gullickson	D7/619.1
2,918,868 A	12/1959	Lars		D455,320 S *	4/2002	Edelstein	D7/619.1
3,099,958 A	8/1963	Daubenspeck et al.		6,375,971 B1	4/2002	Hansen	
3,104,498 A *	9/1963	Miller	A01G 9/021	6,382,449 B1 *	5/2002	Kazmierski	B65D 3/14
			215/12.2				220/4.03
3,128,029 A *	4/1964	Price	B65D 1/265	6,450,099 B1	9/2002	Desgland	
			220/DIG. 14	6,460,464 B1	10/2002	Attarwala	
3,159,701 A	12/1964	Herter		6,523,476 B1	2/2003	Riess et al.	
3,170,401 A	2/1965	Johnson et al.		D478,530 S *	8/2003	Sachuk	D11/143
3,171,350 A	3/1965	Metcalfe et al.		6,708,621 B1	3/2004	Forichon-Chaumet et al.	
3,242,789 A	3/1966	Woodring		6,752,084 B1	6/2004	Husseini et al.	
3,292,538 A	12/1966	Hans et al.		6,840,149 B2	1/2005	Beal	
3,485,170 A	12/1969	Scanlon		7,032,492 B2	4/2006	Meshirer	
3,485,173 A	12/1969	Morgan		D540,710 S *	4/2007	Charrin	D11/147
3,609,904 A	10/1971	Scanlon		7,204,191 B2	4/2007	Wiley et al.	
3,659,528 A	5/1972	Santala		7,213,519 B2	5/2007	Wiley et al.	
3,688,699 A	9/1972	Horn et al.		7,231,519 B2	6/2007	Joseph et al.	
3,690,256 A	9/1972	Schnitzer		7,232,473 B2	6/2007	Elliott	
3,745,924 A	7/1973	Scanlon		7,299,750 B2	11/2007	Schikora et al.	
3,749,021 A	7/1973	Burgess		7,353,756 B2	4/2008	Leasure	
3,756,156 A	9/1973	Schuster		7,392,746 B2	7/2008	Hansen	
3,765,297 A	10/1973	Skochko et al.		D583,927 S *	12/2008	Benner	D24/106
3,768,413 A	10/1973	Ramsay		7,461,597 B2	12/2008	Brunn	
3,797,396 A	3/1974	Reed		7,585,166 B2	9/2009	Buja	
3,842,739 A	10/1974	Scanlon et al.		7,610,858 B2	11/2009	Chung	
3,866,536 A	2/1975	Greenberg		7,750,091 B2	7/2010	Maljkovic et al.	
3,874,294 A	4/1975	Hale		D626,619 S *	11/2010	Gogol	D22/116
3,955,506 A	5/1976	Luther et al.		D631,699 S *	2/2011	Moreau	D7/509
3,977,326 A	8/1976	Anderson et al.		D633,166 S *	2/2011	Richardson	D22/116
3,990,366 A	11/1976	Scanlon		7,930,977 B2	4/2011	Klein	
4,020,763 A	5/1977	Iruetagoyena		8,007,370 B2	8/2011	Hirsch et al.	
4,147,107 A	4/1979	Ringdal		8,056,232 B2	11/2011	Patel et al.	
4,157,684 A	6/1979	Clausser		8,156,870 B2	4/2012	South	
4,173,186 A	11/1979	Dunham		8,201,867 B2	6/2012	Thomeczek	
4,187,271 A	2/1980	Rolston et al.		8,206,522 B2	6/2012	Sandstrom et al.	
4,228,724 A	10/1980	Leich		8,240,252 B2	8/2012	Maljkovic et al.	
4,276,830 A	7/1981	Alice		D675,882 S *	2/2013	Crockett	D7/601
D263,581 S *	3/1982	Kaye	D13/103	8,408,137 B2	4/2013	Battaglia	
4,475,435 A	10/1984	Mantel		D683,419 S *	5/2013	Rebar	D22/116
4,598,445 A	7/1986	O'Connor		8,443,729 B2	5/2013	Mittelstaedt	
4,614,157 A	9/1986	Grelle et al.		8,443,730 B2	5/2013	Padgett	
4,679,505 A	7/1987	Reed		8,511,233 B2	8/2013	Nilsson	
4,718,348 A	1/1988	Ferrigno		D689,975 S *	9/2013	Carlson	D22/116
4,719,859 A	1/1988	Ballreich et al.		8,522,684 B2	9/2013	Davies et al.	
4,726,296 A	2/1988	Leshner et al.		8,540,828 B2	9/2013	Busky et al.	
4,763,576 A	8/1988	Kass et al.		8,561,543 B2	10/2013	Burrow	
4,867,065 A	9/1989	Kaltmann et al.		8,573,126 B2	11/2013	Klein et al.	
5,033,386 A	7/1991	Vatsvog		8,641,842 B2	2/2014	Hafner et al.	
5,151,555 A	9/1992	Vatsvog		8,689,696 B1	4/2014	Seeman et al.	
5,165,040 A	11/1992	Andersson et al.		8,763,535 B2	7/2014	Padgett	
5,237,930 A	8/1993	Belanger et al.		8,790,455 B2	7/2014	Borissov et al.	
5,259,288 A	11/1993	Vatsvog		8,807,008 B2	8/2014	Padgett et al.	
D345,676 S *	4/1994	Biffle	D7/510	8,813,650 B2	8/2014	Maljkovic et al.	
5,433,148 A	7/1995	Barratault et al.		D715,888 S	10/2014	Padgett	
D380,650 S *	7/1997	Norris	D7/619.1	8,850,985 B2	10/2014	Maljkovic et al.	
5,679,920 A *	10/1997	Hallis	F42B 12/74	8,857,343 B2	10/2014	Marx	
			102/398	8,869,702 B2	10/2014	Padgett	
5,798,478 A	8/1998	Beal		D717,909 S *	11/2014	Thrift	D22/116
5,950,063 A	9/1999	Hens et al.		8,875,633 B2	11/2014	Padgett	
5,969,288 A	10/1999	Baud		8,893,621 B1	11/2014	Escobar	
6,004,682 A	12/1999	Rackovan et al.		D723,418 S *	3/2015	Thuma	D11/143
6,048,379 A	4/2000	Bray et al.		8,978,559 B2	3/2015	Davies et al.	
6,070,532 A	6/2000	Halverson		9,003,973 B1	4/2015	Padgett	
6,108,974 A *	8/2000	Herzog-Mesrobian		9,032,855 B1	5/2015	Foren et al.	
			A47G 7/08	9,091,516 B2	7/2015	Davies et al.	
			47/72	9,103,641 B2	8/2015	Nielson et al.	
D435,626 S *	12/2000	Benini	D22/100	9,157,709 B2	10/2015	Nuetzman et al.	
D439,116 S *	3/2001	White	D7/619.1	9,170,080 B2	10/2015	Poore et al.	
D442,833 S *	5/2001	Shuman	D7/608	9,182,204 B2	11/2015	Maljkovic et al.	
6,257,149 B1 *	7/2001	Cesaroni	F42B 12/745	9,188,412 B2	11/2015	Maljkovic et al.	
			102/515	9,200,157 B2	12/2015	El-Hibri et al.	
D447,209 S *	8/2001	Benini	D22/116	9,200,880 B1	12/2015	Foren et al.	
6,272,993 B1	8/2001	Cook et al.		9,212,876 B1	12/2015	Kostka et al.	
				9,212,879 B2	12/2015	Whitworth	
				9,213,175 B2	12/2015	Arnold	
				9,254,503 B2	2/2016	Ward	
				9,255,775 B1	2/2016	Rubin	
				D752,397 S *	3/2016	Seiders	D7/608

(56)

References Cited

U.S. PATENT DOCUMENTS

2019/0011234 A1* 1/2019 Boss F42B 33/00
 2019/0011235 A1 1/2019 Boss et al.
 2019/0011236 A1 1/2019 Burrow
 2019/0011237 A1 1/2019 Burrow
 2019/0011238 A1 1/2019 Burrow
 2019/0011239 A1 1/2019 Burrow
 2019/0011240 A1 1/2019 Burrow
 2019/0011241 A1 1/2019 Burrow

FOREIGN PATENT DOCUMENTS

EP 2625486 A4 8/2017
 FR 1412414 A 10/1965
 GB 783023 A 9/1957
 WO 0034732 6/2000
 WO 2007014024 A2 2/2007
 WO 2012047615 A1 4/2012
 WO 2012097320 A1 7/2012
 WO 2012097317 A3 11/2012
 WO 2013070250 A1 5/2013

WO 2013096848 A1 6/2013
 WO 2014062256 A2 4/2014
 WO 2016003817 A1 1/2016

OTHER PUBLICATIONS

Luck Gunner.com, Review: Polymer Cased Rifle Ammunition from PCP Ammo, Published Jan. 6, 2014, [site visited Mar. 27, 2019], Available on the Internet URL <https://www.luckygunner.com/lounge/pcp-ammo-review/>.
 International Ammunition Association, Inc. website, Published in Apr. 2017, PCP Ammo Variation in U.S. Military Polymer/Metal Cartridge Case R&D, [site visited Mar. 29, 2019], Available on the Internet URL <https://forum.cartridgecollectors.org/t/pcp-ammo-variation-in-u-s-military-polymer-metal-cartridge-case-r-d/24400>.
 AccurateShooter.com Daily Bulletin “New PolyCase Ammunition and Injection-Molded Bullets” Jan. 11, 2015.
 Korean Intellectual Property Office (ISA), International Search Report and Written Opinion for PCT/US2011/062781 dated Nov. 30, 2012, 16 pp.
 Korean Intellectual Property Office (ISA), International Search Report and Written Opinion for PCT/US2015/038061 dated Sep. 21, 2015, 28 pages.

* cited by examiner

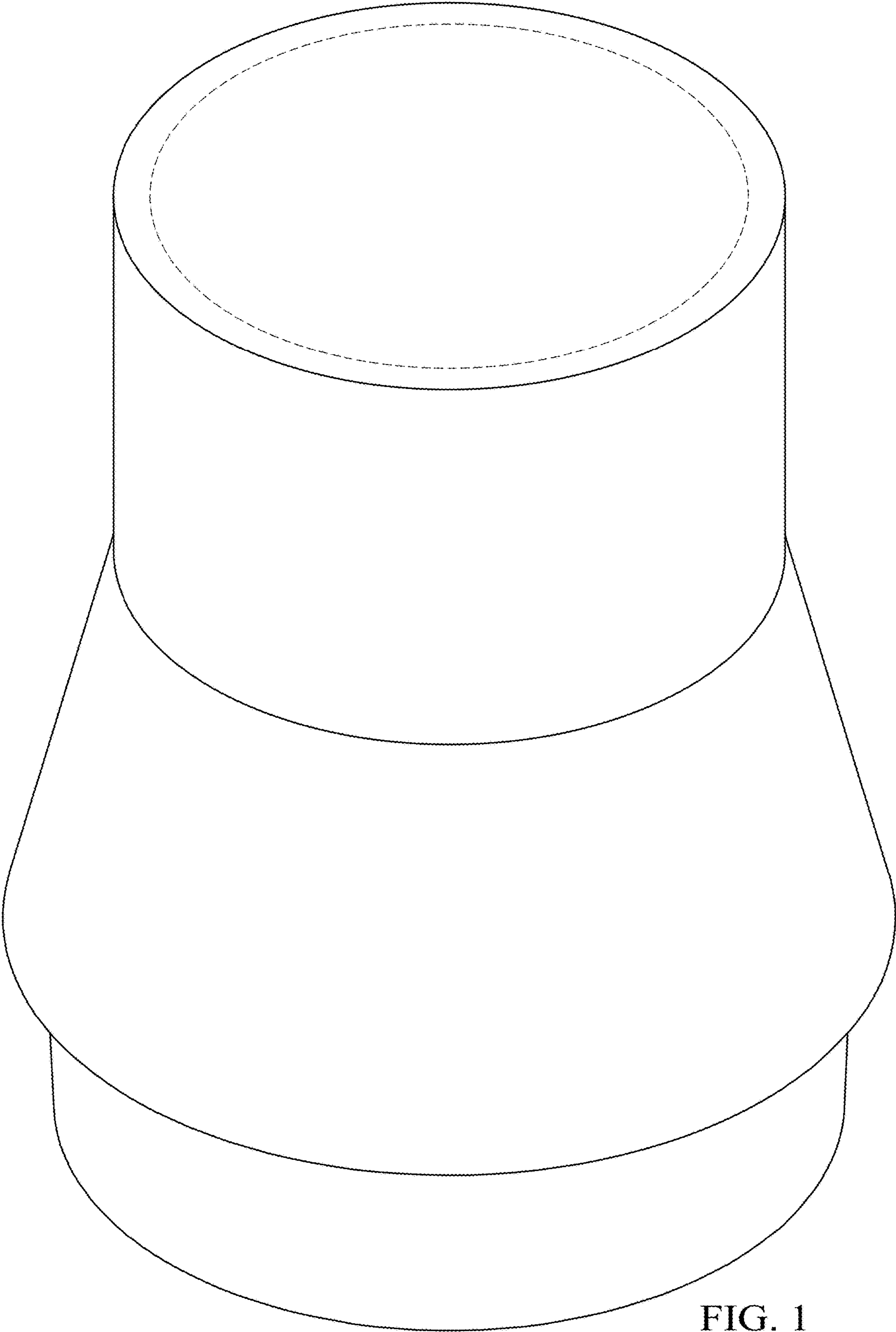


FIG. 1

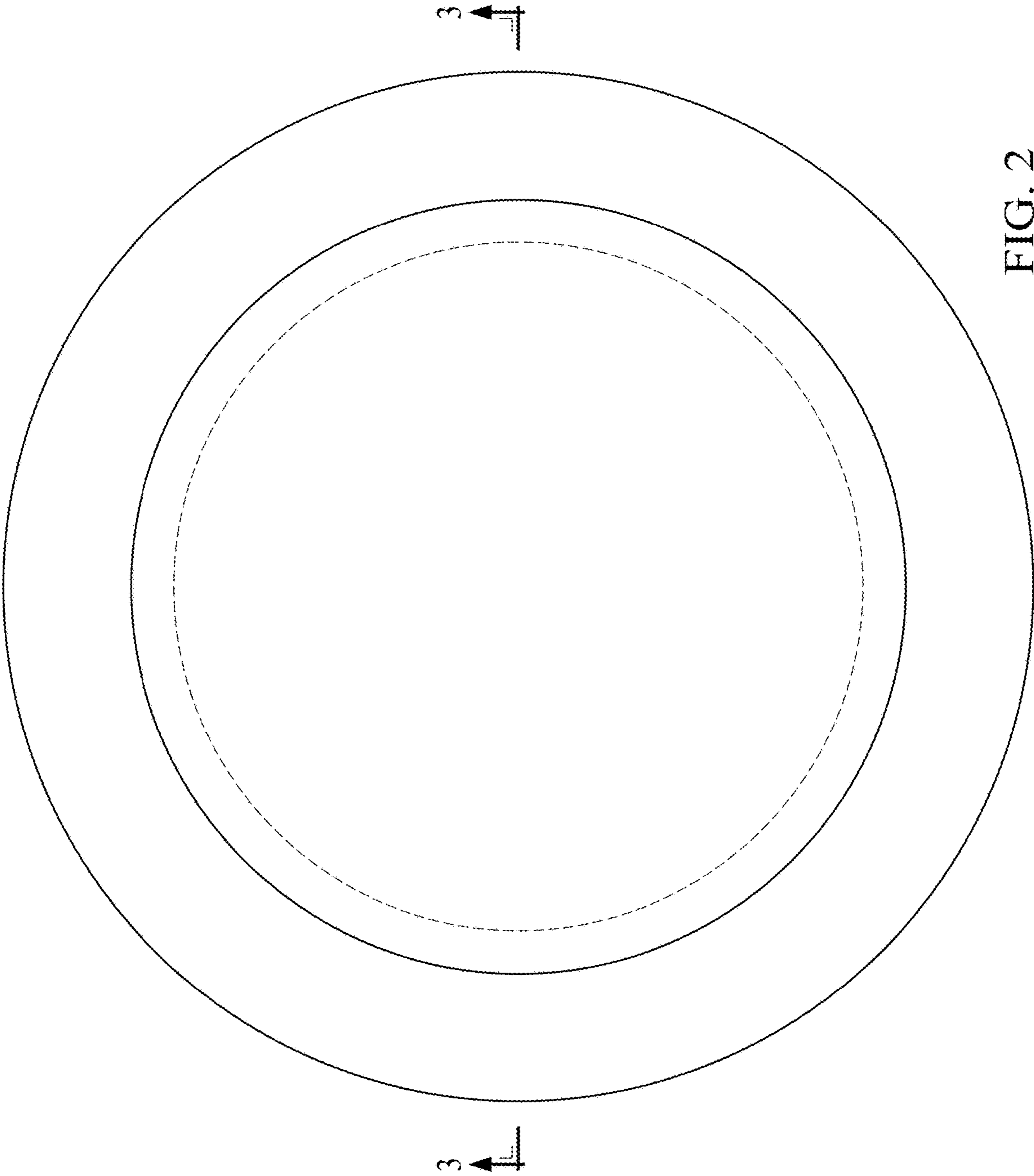


FIG. 2

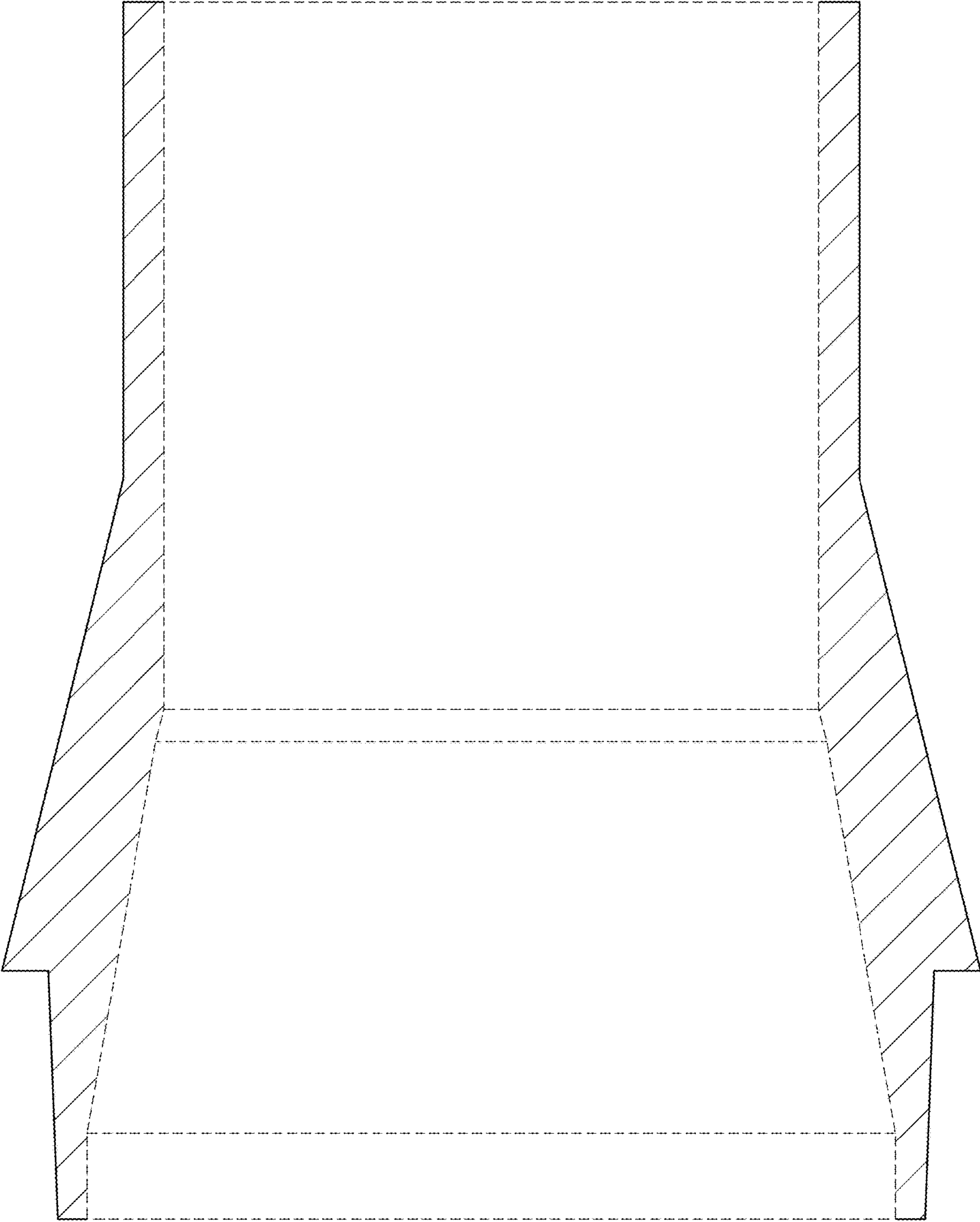


FIG. 3

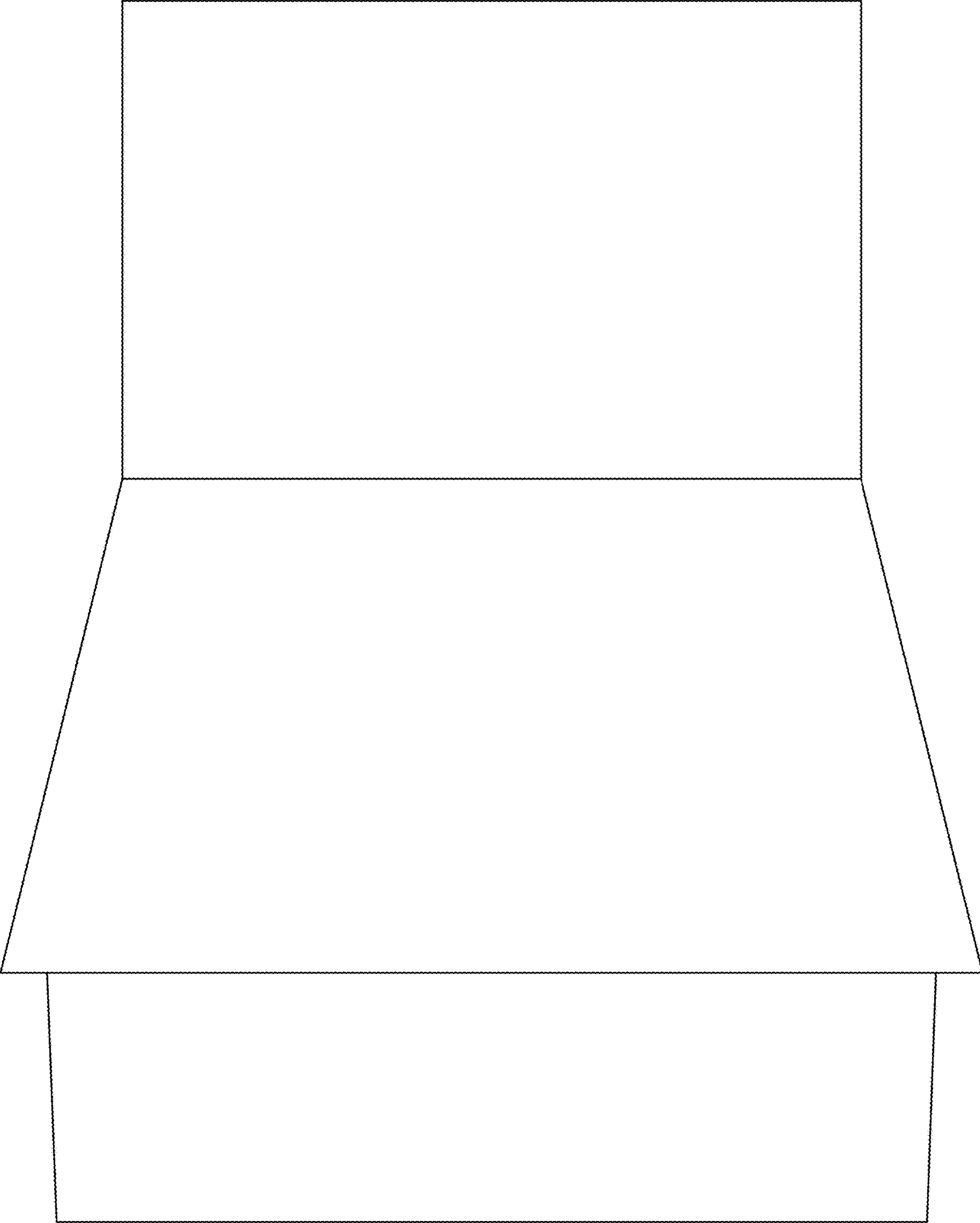


FIG. 4