



US00D882019S

(12) **United States Design Patent** (10) **Patent No.:** **US D882,019 S**  
**Burrow et al.** (45) **Date of Patent:** **\*\* \*Apr. 21, 2020**

- (54) **AMMUNITION CARTRIDGE**
- (71) Applicant: **TRUE VELOCITY IP HOLDINGS, LLC**, Garland, TX (US)
- (72) Inventors: **Lonnie Burrow**, Carrollton, TX (US); **Christopher William Overton**, Richardson, TX (US)
- (73) Assignee: **TRUE VELOCITY IP HOLDINGS, LLC**, Garland, TX (US)
- (\*) Notice: This patent is subject to a terminal disclaimer.
- (\*\*) Term: **15 Years**
- (21) Appl. No.: **29/644,794**
- (22) Filed: **Apr. 20, 2018**
- (51) **LOC (12) Cl.** ..... **22-03**
- (52) **U.S. Cl.**  
USPC ..... **D22/116**
- (58) **Field of Classification Search**  
USPC ..... D22/115, 116; D11/143; D7/619.1  
CPC ..... F42B 5/26-38; F42B 33/00; F42B 8/14  
See application file for complete search history.

- 905,358 A 12/1908 Peters
- 957,171 A 5/1910 Loeb
- 963,911 A 7/1910 Loeble
- 1,060,817 A 5/1913 Clyne
- 1,936,905 A 11/1933 Gaidos
- 1,940,657 A 12/1933 Woodford
- 2,294,822 A 9/1942 Norman
- (Continued)

**FOREIGN PATENT DOCUMENTS**

- CA 2813634 A1 4/2012
- DE 16742 C 1/1882
- (Continued)

**OTHER PUBLICATIONS**

YouTube.com—TFB TV, Published on Jul. 23, 2015, [site visited on Mar. 27, 2019], Available on the Internet URL <https://www.youtube.com/watch?v=mCjNkxbHkEE>.\*

(Continued)

*Primary Examiner* — Karen S Acker  
*Assistant Examiner* — Steven B Reinholdt, Jr.  
 (74) *Attorney, Agent, or Firm* — Chainey P. Singleton

(57) **CLAIM**

The ornamental design for an ammunition cartridge, as shown and described.

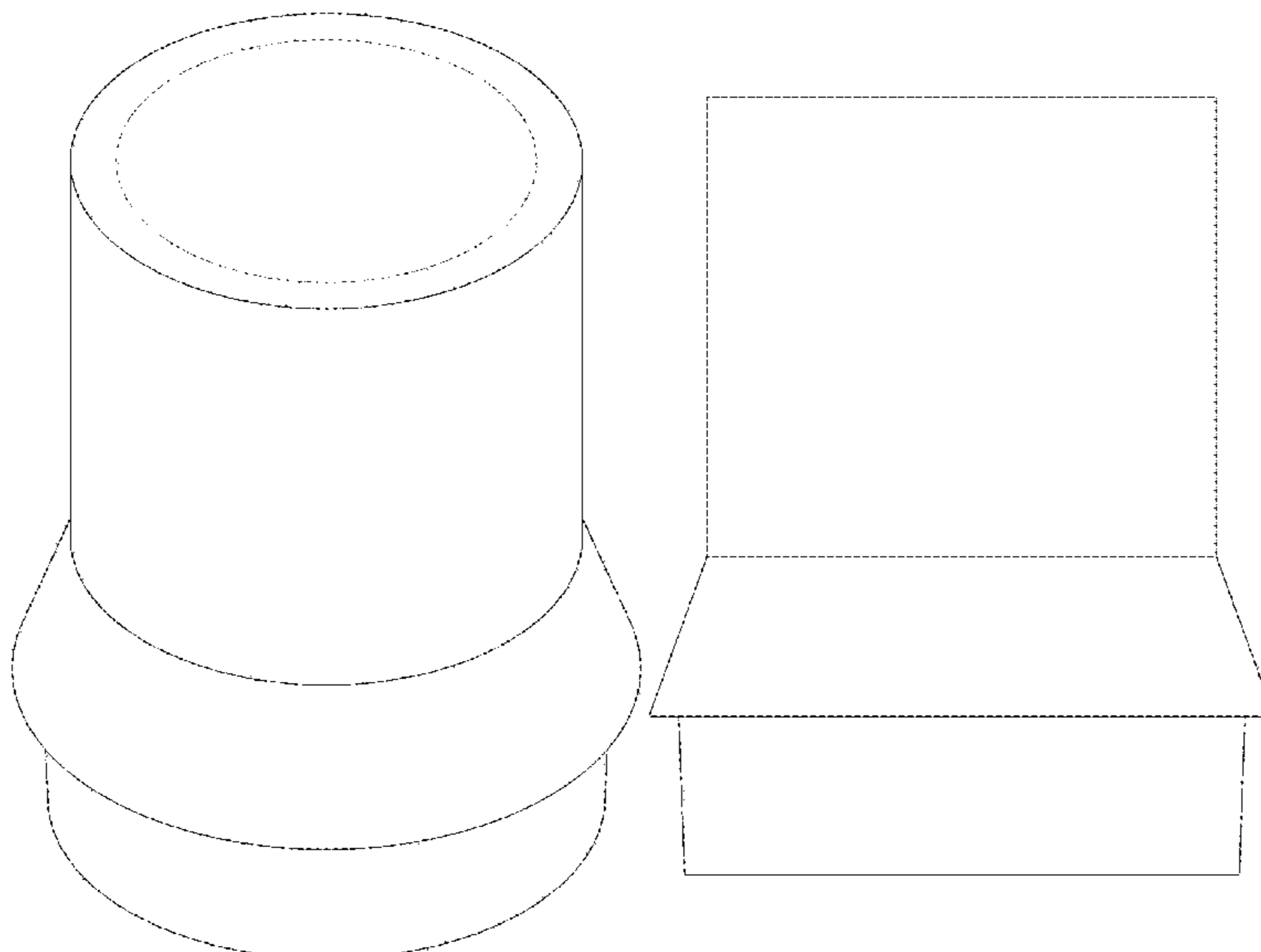
**DESCRIPTION**

FIG. 1 is an isometric view of an ammunition cartridge showing my new design.  
 FIG. 2 is a top view of the ammunition cartridge of FIG. 1.  
 FIG. 3 is a cross-sectional view taken along line 3-3 in FIG. 2 of the ammunition cartridge of FIG. 1; and,  
 FIG. 4 is a side view of the ammunition cartridge of FIGS. 1.

The broken lines depict portions of the ammunition cartridge that form no part of the claim.

**1 Claim, 4 Drawing Sheets**

- (56) **References Cited**
- U.S. PATENT DOCUMENTS
- 99,528 A 2/1870 Boyd
- 113,634 A 4/1871 Crispin
- 130,679 A 8/1872 Whitmore
- 159,665 A 2/1875 Gauthey
- 169,807 A 11/1875 Hart
- 462,611 A 11/1891 Comte de Sparre
- 498,856 A 6/1893 Kaltmann et al.
- 640,856 A 1/1900 Bailey
- 662,137 A 11/1900 Tellerson
- 676,000 A 6/1901 Henneberg
- 865,979 A 9/1907 Bailey
- 869,046 A 10/1907 Bailey



(56)

References Cited

U.S. PATENT DOCUMENTS

2,465,962 A	3/1949	Allen et al.	6,357,357 B1	3/2002	Glasser
2,654,319 A	10/1953	Roske	D455,052 S *	4/2002	Gullickson ..... D7/619.1
2,823,611 A	2/1958	Thayer	D455,320 S *	4/2002	Edelstein ..... D7/619.1
2,862,446 A	12/1958	Lars	6,375,971 B1	4/2002	Hansen
2,918,868 A	12/1959	Lars	6,450,099 B1	9/2002	Desglan
3,099,958 A	8/1963	Daubenspeck et al.	6,460,464 B1	10/2002	Attarwala
3,104,498 A *	9/1963	Miller ..... A01G 9/021 215/12.2	6,523,476 B1	2/2003	Riess et al.
3,159,701 A	12/1964	Herter	D478,530 S *	8/2003	Sachuk ..... D11/143
3,170,401 A	2/1965	Johnson et al.	6,708,621 B1	3/2004	Forichon-Chaumet et al.
3,171,350 A	3/1965	Metcalf et al.	6,752,084 B1	6/2004	Husseini et al.
3,242,789 A	3/1966	Woodring	6,840,149 B2	1/2005	Beal
3,292,538 A	12/1966	Hans et al.	7,032,492 B2	4/2006	Meshirer
3,485,170 A	12/1969	Scanlon	D540,710 S *	4/2007	Charrin ..... D11/147
3,485,173 A	12/1969	Morgan	7,204,191 B2	4/2007	Wiley et al.
3,609,904 A	10/1971	Scanlon	7,213,519 B2	5/2007	Wiley et al.
3,659,528 A	5/1972	Santala	7,231,519 B2	6/2007	Joseph et al.
3,688,699 A	9/1972	Horn et al.	7,232,473 B2	6/2007	Elliott
3,690,256 A	9/1972	Schnitzer	7,299,750 B2	11/2007	Schikora et al.
3,745,924 A	7/1973	Scanlon	7,353,756 B2	4/2008	Leasure
3,749,021 A	7/1973	Burgess	7,392,746 B2	7/2008	Hansen
3,756,156 A	9/1973	Schuster	D583,927 S *	12/2008	Benner ..... D24/106
3,765,297 A	10/1973	Skochko et al.	7,461,597 B2	12/2008	Brunn
3,768,413 A	10/1973	Ramsay	7,585,166 B2	9/2009	Buja
3,797,396 A	3/1974	Reed	7,610,858 B2	11/2009	Chung
3,842,739 A	10/1974	Scanlon et al.	7,750,091 B2	7/2010	Maljkovic et al.
3,866,536 A	2/1975	Greenberg	D626,619 S *	11/2010	Gogol ..... D22/116
3,874,294 A	4/1975	Hale	D631,699 S *	2/2011	Moreau ..... D7/509
3,955,506 A	5/1976	Luther et al.	D633,166 S *	2/2011	Richardson ..... D22/116
3,977,326 A	8/1976	Anderson et al.	7,930,977 B2	4/2011	Klein
3,990,366 A	11/1976	Scanlon	8,007,370 B2	8/2011	Hirsch et al.
4,020,763 A	5/1977	Iruretagoyena	8,056,232 B2	11/2011	Patel et al.
4,147,107 A	4/1979	Ringdal	8,156,870 B2	4/2012	South
4,157,684 A	6/1979	Clausser	8,201,867 B2	6/2012	Thomeczek
4,173,186 A	11/1979	Dunham	8,206,522 B2	6/2012	Sandstrom et al.
4,187,271 A	2/1980	Rolston et al.	8,240,252 B2	8/2012	Maljkovic et al.
4,228,724 A	10/1980	Leich	D675,882 S *	2/2013	Crockett ..... D7/601
4,276,830 A	7/1981	Alice	8,408,137 B2	4/2013	Battaglia
D263,581 S *	3/1982	Kaye ..... D13/103	D683,419 S *	5/2013	Rebar ..... D22/116
4,475,435 A	10/1984	Mantel	8,443,729 B2	5/2013	Mittelstaedt
4,598,445 A	7/1986	O'Connor	8,443,730 B2	5/2013	Padgett
4,614,157 A	9/1986	Grelle et al.	8,511,233 B2	8/2013	Nilsson
4,679,505 A	7/1987	Reed	D689,975 S *	9/2013	Carlson ..... D22/116
4,718,348 A	1/1988	Ferrigno	8,522,684 B2	9/2013	Davies et al.
4,719,859 A	1/1988	Ballreich et al.	8,540,828 B2	9/2013	Busky et al.
4,726,296 A	2/1988	Leshner et al.	8,561,543 B2	10/2013	Burrow
4,763,576 A	8/1988	Kass et al.	8,573,126 B2	11/2013	Klein et al.
4,867,065 A	9/1989	Kaltmann et al.	8,641,842 B2	2/2014	Hafner et al.
5,033,386 A	7/1991	Vatsvog	8,689,696 B1	4/2014	Seeman et al.
5,151,555 A	9/1992	Vatsvog	8,763,535 B2	7/2014	Padgett
5,165,040 A	11/1992	Andersson et al.	8,790,455 B2	7/2014	Borissov et al.
5,237,930 A	8/1993	Belanger et al.	8,807,008 B2	8/2014	Padgett et al.
5,259,288 A	11/1993	Vatsvog	8,813,650 B2	8/2014	Maljkovic et al.
D345,676 S *	4/1994	Biffle ..... D7/510	D715,888 S	10/2014	Padgett
5,433,148 A	7/1995	Barratault et al.	8,850,985 B2	10/2014	Maljkovic et al.
D380,650 S *	7/1997	Norris ..... D7/619.1	8,857,343 B2	10/2014	Marx
5,679,920 A *	10/1997	Hallis ..... F42B 12/74 102/398	8,869,702 B2	10/2014	Padgett
5,798,478 A	8/1998	Beal	D717,909 S *	11/2014	Thrift ..... D22/116
5,950,063 A	9/1999	Hens et al.	8,875,633 B2	11/2014	Padgett
5,969,288 A	10/1999	Baud	8,893,621 B1	11/2014	Escobar
6,004,682 A	12/1999	Rackovan et al.	D723,418 S *	3/2015	Thuma ..... D11/143
6,048,379 A	4/2000	Bray et al.	8,978,559 B2	3/2015	Davies et al.
6,070,532 A	6/2000	Halverson	9,003,973 B1	4/2015	Padgett
6,108,974 A *	8/2000	Herzog-Mesrobian ..... A47G 7/08 47/72	9,032,855 B1	5/2015	Foren et al.
D435,626 S *	12/2000	Benini ..... D22/100	9,091,516 B2	7/2015	Davies et al.
D439,116 S *	3/2001	White ..... D7/619.1	9,103,641 B2	8/2015	Nielson et al.
D442,833 S *	5/2001	Shuman ..... D7/608	9,157,709 B2	10/2015	Nuetzman et al.
6,257,149 B1 *	7/2001	Cesaroni ..... F42B 12/745 102/515	9,170,080 B2	10/2015	Poore et al.
D447,209 S *	8/2001	Benini ..... D22/116	9,182,204 B2	11/2015	Maljkovic et al.
6,272,993 B1	8/2001	Cook et al.	9,188,412 B2	11/2015	Maljkovic et al.
			9,200,157 B2	12/2015	El-Hibri et al.
			9,200,880 B1	12/2015	Foren et al.
			9,212,876 B1	12/2015	Kostka et al.
			9,212,879 B2	12/2015	Whitworth
			9,213,175 B2	12/2015	Arnold
			9,254,503 B2	2/2016	Ward
			9,255,775 B1	2/2016	Rubin
			D752,397 S *	3/2016	Seiders ..... D7/608

(56)

References Cited

U.S. PATENT DOCUMENTS

9,329,004 B2	5/2016	Pace	D834,447 S *	11/2018	van Smirren .....	A47G 7/07
9,335,137 B2	5/2016	Maljkovic et al.				D11/143
9,337,278 B1	5/2016	Gu et al.	D839,676 S *	2/2019	Seiders .....	D7/523
9,347,457 B2	5/2016	Ahrens et al.	D839,677 S *	2/2019	Seiders .....	D7/523
9,366,512 B2	6/2016	Burczynski et al.	D843,788 S *	3/2019	Boroski .....	D7/608
9,377,278 B2	6/2016	Rubin	10,234,249 B2 *	3/2019	Burrow .....	F42B 5/307
9,389,052 B2	7/2016	Conroy et al.	10,234,253 B2 *	3/2019	Burrow .....	F42B 5/307
9,395,165 B2	7/2016	Maljkovic et al.	10,240,905 B2 *	3/2019	Burrow .....	F42B 5/307
D764,624 S	8/2016	Masinelli	2005/0192835 A1 *	9/2005	Kuo .....	G06Q 50/22
D765,214 S	8/2016	Padgett				705/2
9,429,407 B2	8/2016	Burrow	2006/0283345 A1 *	12/2006	Feldman .....	F42B 12/365
9,441,930 B2	9/2016	Burrow				102/430
9,453,714 B2	9/2016	Bosarge et al.	2007/0056343 A1	3/2007	Cremonesi	
D773,009 S *	11/2016	Bowers .....	2007/0181029 A1 *	8/2007	McAninch .....	F41B 11/00
9,500,453 B2	11/2016	Schluckebier et al.				102/430
9,506,735 B1	11/2016	Burrow	2007/0204511 A1 *	9/2007	Lee .....	A47G 7/06
D773,250 S *	12/2016	Miller .....				47/66.1
D774,824 S *	12/2016	Gallagher .....	2010/0234132 A1	9/2010	Hirsch et al.	
9,513,096 B2	12/2016	Burrow	2011/0036000 A1 *	2/2011	Verdecia .....	A47G 7/06
9,518,810 B1	12/2016	Burrow				47/41.1
9,523,563 B1	12/2016	Burrow	2011/0179965 A1	7/2011	Mason	
9,528,799 B2	12/2016	Maljkovic	2012/0180685 A1 *	7/2012	O .....	F42B 8/14
9,546,849 B2	1/2017	Burrow				102/334
9,551,557 B1	1/2017	Burrow	2012/0291655 A1 *	11/2012	Jones .....	F42B 8/14
D778,391 S	2/2017	Burrow				102/502
D778,393 S	2/2017	Burrow	2013/0186294 A1 *	7/2013	Davies .....	F42B 5/307
D778,394 S	2/2017	Burrow				102/467
D778,395 S	2/2017	Burrow	2013/0291711 A1	11/2013	Mason	
D779,021 S	2/2017	Burrow	2014/0260925 A1	9/2014	Beach et al.	
D779,024 S	2/2017	Burrow	2014/0261044 A1 *	9/2014	Seecamp .....	F42B 12/36
D780,283 S *	2/2017	Burrow .....				102/464
9,587,918 B1	3/2017	Burrow	2014/0311332 A1 *	10/2014	Carlson .....	F42B 5/045
9,599,443 B2	3/2017	Padgett et al.				89/191.01
D784,137 S *	4/2017	Cates .....	2015/0226220 A1	8/2015	Bevington	
9,625,241 B2	4/2017	Neugebauer	2016/0003589 A1	1/2016	Burrow	
9,631,907 B2	4/2017	Burrow	2016/0003590 A1	1/2016	Burrow	
9,644,930 B1	5/2017	Burrow	2016/0003593 A1	1/2016	Burrow	
9,658,042 B2	5/2017	Emary	2016/0003594 A1	1/2016	Burrow	
D788,636 S *	6/2017	Paternostre .....	2016/0003595 A1	1/2016	Burrow	
D790,392 S *	6/2017	Paternostre .....	2016/0003596 A1	1/2016	Burrow	
9,683,818 B2	6/2017	Lemke et al.	2016/0003597 A1	1/2016	Burrow	
9,709,368 B2	7/2017	Mahnke	2016/0003601 A1	1/2016	Burrow	
D793,172 S *	8/2017	Medina .....	2016/0033241 A1	2/2016	Burrow	
D797,880 S *	9/2017	Seecamp .....	2016/0102030 A1	4/2016	Coffey et al.	
9,759,554 B2	9/2017	Ng et al.	2016/0245626 A1	8/2016	Drieling et al.	
D800,244 S *	10/2017	Burczynski .....	2016/0265886 A1 *	9/2016	Aldrich .....	F42B 5/30
D800,245 S *	10/2017	Burczynski .....	2016/0349022 A1 *	12/2016	Burrow .....	F42B 5/307
D800,246 S *	10/2017	Burczynski .....	2016/0349023 A1	12/2016	Burrow	
9,784,667 B2	10/2017	Lukay et al.	2016/0349028 A1	12/2016	Burrow	
D801,753 S *	11/2017	Piper .....	2016/0356588 A1	12/2016	Burrow	
9,835,423 B2	12/2017	Burrow	2016/0377399 A1	12/2016	Burrow	
9,835,427 B2	12/2017	Burrow	2017/0080498 A1	3/2017	Burrow	
9,857,151 B2	1/2018	Dionne et al.	2017/0082409 A1	3/2017	Burrow	
9,869,536 B2	1/2018	Burrow	2017/0082411 A1	3/2017	Burrow	
9,879,954 B2	1/2018	Hajjar	2017/0089673 A1	3/2017	Burrow	
9,885,551 B2	2/2018	Burrow	2017/0089674 A1 *	3/2017	Burrow .....	F42B 5/02
D813,975 S *	3/2018	White .....	2017/0089675 A1	3/2017	Burrow	
9,921,040 B2	3/2018	Rubin	2017/0089679 A1 *	3/2017	Burrow .....	F42B 33/001
9,927,219 B2	3/2018	Burrow	2017/0153099 A9	6/2017	Burrow	
9,933,241 B2	4/2018	Burrow	2017/0205217 A9	7/2017	Burrow	
9,939,236 B2	4/2018	Drobockyi et al.	2017/0299352 A9	10/2017	Burrow	
9,964,388 B1	5/2018	Burrow	2018/0066925 A1	3/2018	Skowron et al.	
D821,536 S *	6/2018	Christiansen .....	2018/0106581 A1 *	4/2018	Rogers .....	F42B 12/367
9,989,339 B2	6/2018	Riess	2018/0224252 A1 *	8/2018	O'Rourke .....	F42B 12/40
10,041,770 B2	8/2018	Burrow	2018/0224253 A1	8/2018	Burrow	
10,041,771 B1	8/2018	Burrow	2018/0259310 A1	9/2018	Burrow	
10,041,776 B1	8/2018	Burrow	2018/0306558 A1	10/2018	Padgett et al.	
10,041,777 B1	8/2018	Burrow	2019/0011232 A1	1/2019	Boss et al.	
10,048,049 B2	8/2018	Burrow	2019/0011233 A1	1/2019	Boss et al.	
10,048,050 B1	8/2018	Burrow	2019/0011234 A1 *	1/2019	Boss .....	F42B 33/00
10,048,052 B2	8/2018	Burrow	2019/0011235 A1	1/2019	Boss et al.	
10,054,413 B1	8/2018	Burrow	2019/0011236 A1	1/2019	Burrow	
D828,483 S	9/2018	Burrow	2019/0011237 A1	1/2019	Burrow	
D832,037 S *	10/2018	Gallagher .....	2019/0011238 A1	1/2019	Burrow	
			2019/0011239 A1	1/2019	Burrow	

(56)

**References Cited**

U.S. PATENT DOCUMENTS

2019/0011240 A1 1/2019 Burrow  
 2019/0011241 A1 1/2019 Burrow

FOREIGN PATENT DOCUMENTS

EP 2625486 A4 8/2017  
 FR 1412414 A 10/1965  
 GB 783023 A 9/1957  
 WO 0034732 6/2000  
 WO 2007014024 A2 2/2007  
 WO 2012047615 A1 4/2012  
 WO 2012097320 A1 7/2012  
 WO 2012097317 A3 11/2012  
 WO 2013070250 A1 5/2013  
 WO 2013096848 A1 6/2013  
 WO 2014062256 A2 4/2014  
 WO 2016003817 A1 1/2016

OTHER PUBLICATIONS

Luck Gunner.com, Review: Polymer Cased Rifle Ammunition from PCP Ammo, Published Jan. 6, 2014, [site visited Mar. 27, 2019], Available on the Internet URL <https://www.luckygunner.com/lounge/pcp-ammo-review/>.\*

International Ammunition Association, Inc. website, Published in Apr. 2017, PCP Ammo Variation in U.S. Military Polymer/Metal Cartridge Case R&D, [site visited Mar. 29, 2019], Available on the Internet URL <https://forum.cartridgecollectors.org/t/pcp-ammo-variation-in-u-s-military-polymer-metal-cartridge-case-r-d/24400>.\*

AccurateShooter.com Daily Bulletin “New PolyCase Ammunition and Injection-Molded Bullets” Jan. 11, 2015.

Korean Intellectual Property Office (ISA), International Search Report and Written Opinion for PCT/US2011/062781 dated Nov. 30, 2012, 16 pp.

Korean Intellectual Property Office (ISA), International Search Report and Written Opinion for PCT/US2015/038061 dated Sep. 21, 2015, 28 pages.

\* cited by examiner

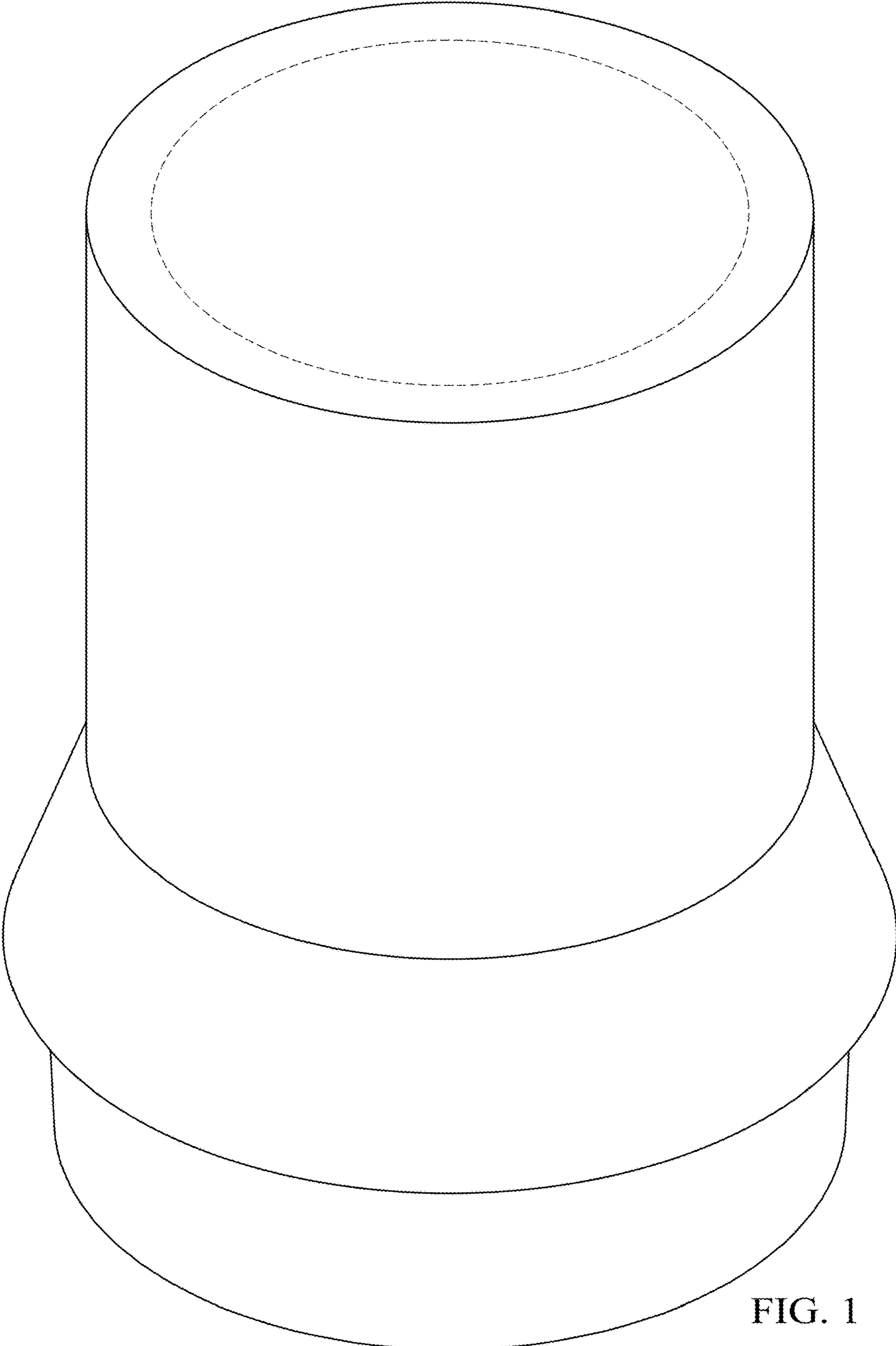
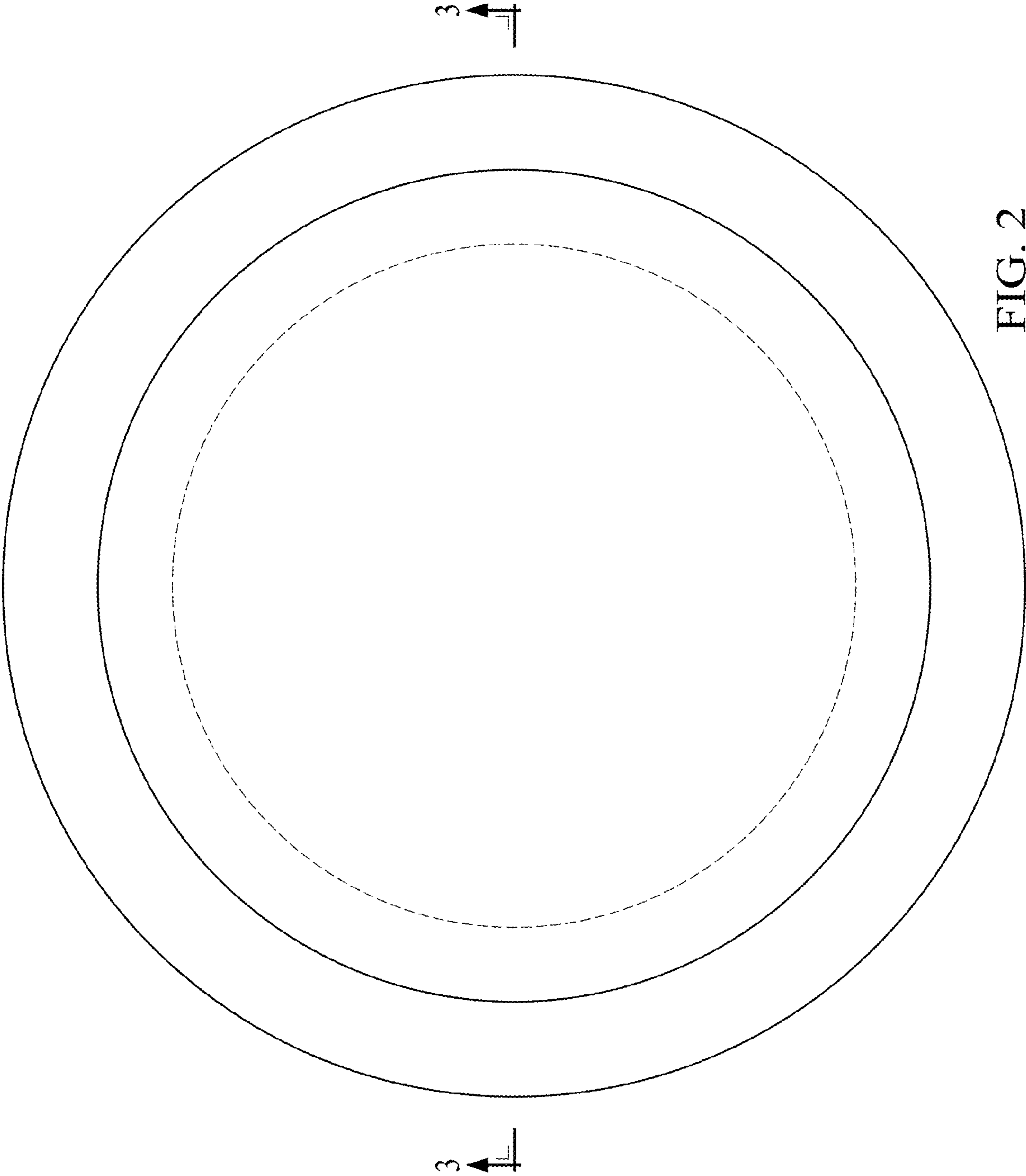


FIG. 1



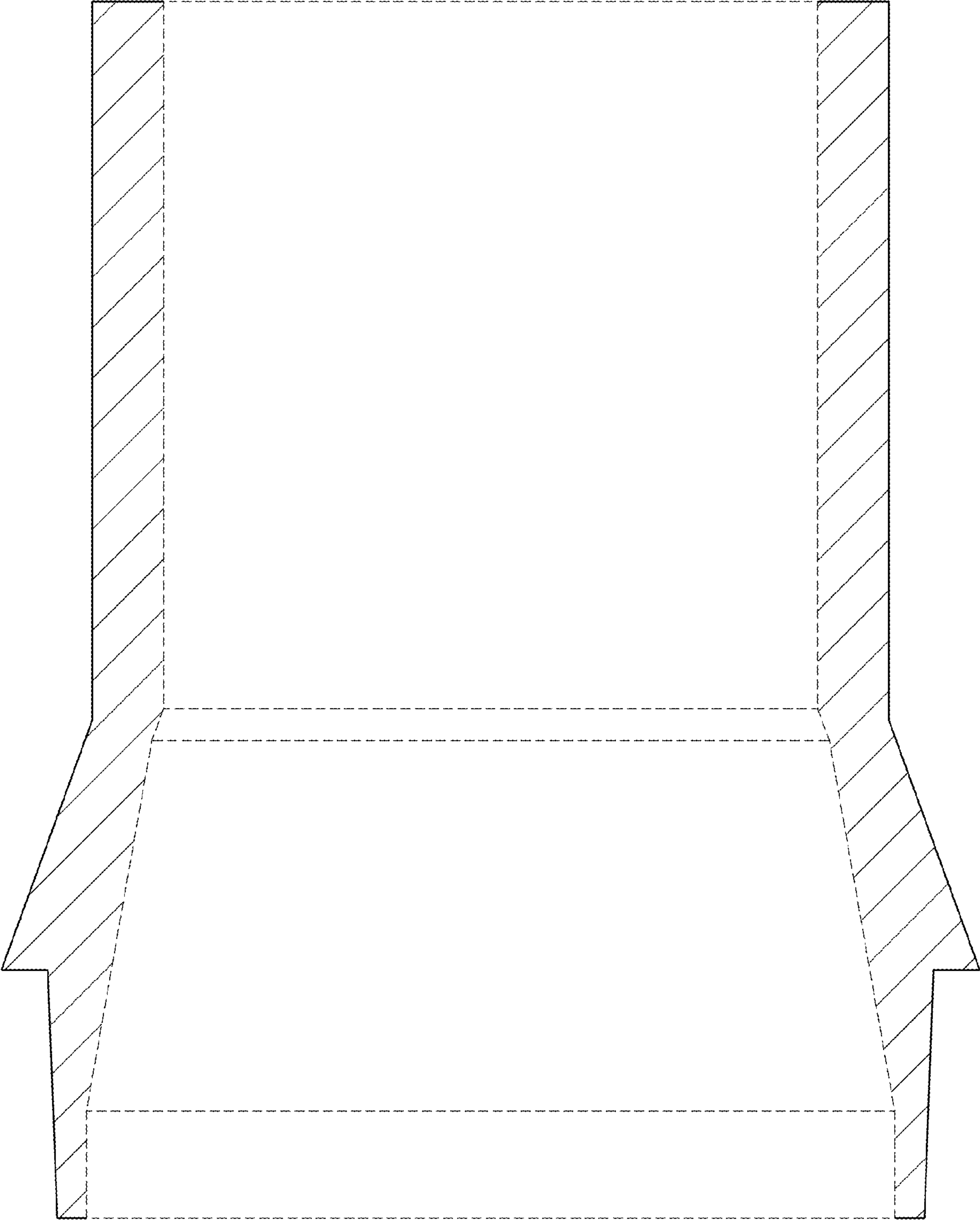


FIG. 3

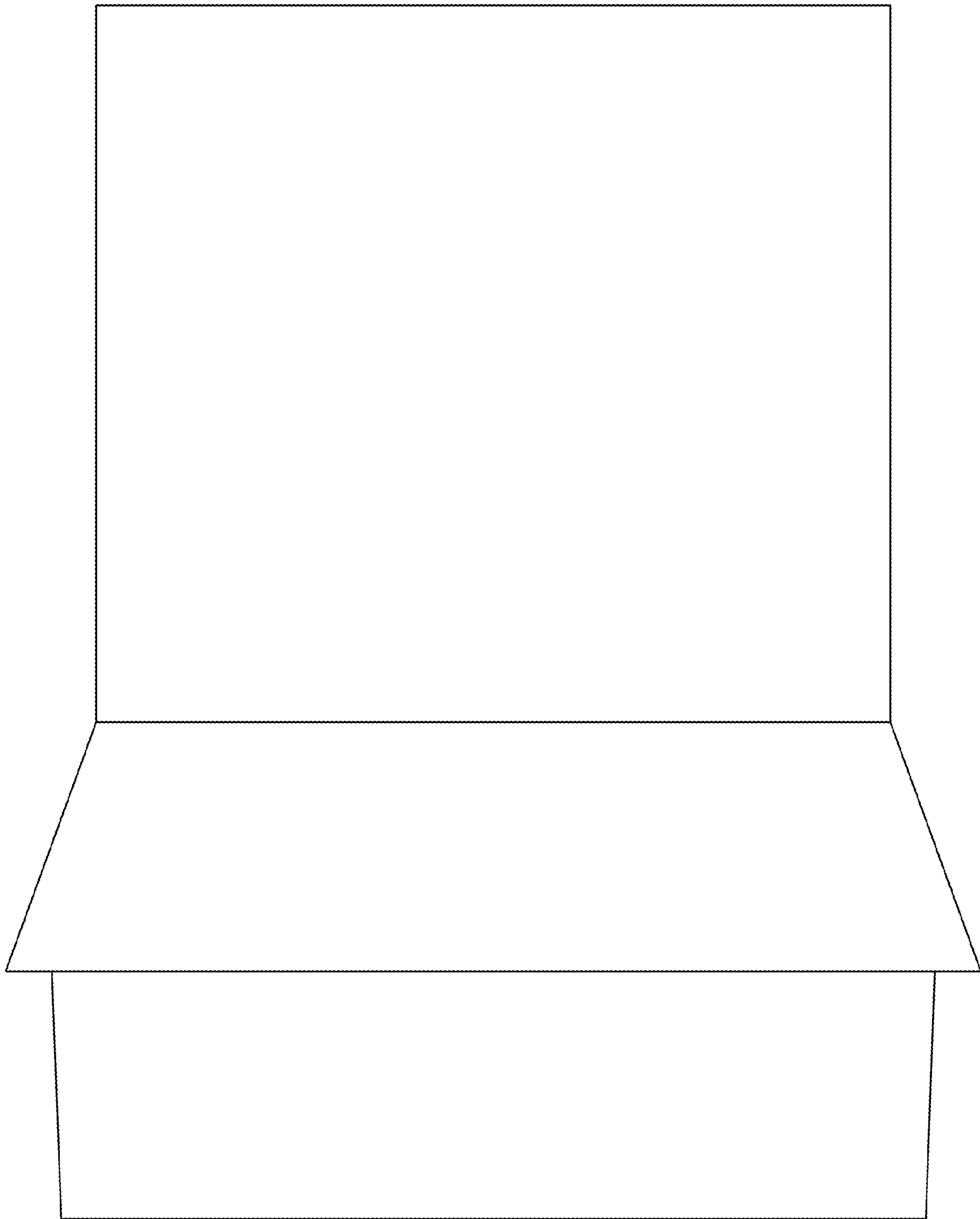


FIG. 4