



US00D882016S

(12) **United States Design Patent**
Robinson

(10) **Patent No.:** **US D882,016 S**
(45) **Date of Patent:** **** Apr. 21, 2020**

(54) **FIREARM TRIGGER GUARD**

(71) Applicant: **WHG Properties, LLC**, North Wales, PA (US)

(72) Inventor: **Frank E. Robinson**, Schwenksville, PA (US)

(73) Assignee: **WHG Properties, LLC**, North Wales, PA (US)

(**) Term: **15 Years**

(21) Appl. No.: **29/662,534**

(22) Filed: **Sep. 6, 2018**

(51) **LOC (12) Cl.** **22-01**

(52) **U.S. Cl.**
USPC **D22/108**

(58) **Field of Classification Search**
USPC D22/103, 108; D21/572

(Continued)

(56) **References Cited**

U.S. PATENT DOCUMENTS

- 2,590,858 A * 4/1952 Harvey F41A 19/11
42/69.01
- 3,713,242 A * 1/1973 Seifried F41A 17/22
42/70.06

(Continued)

Primary Examiner — Michael A. Pratt

(74) *Attorney, Agent, or Firm* — Fox Rothschild LLP

(57) **CLAIM**

The ornamental design for a firearm trigger guard, as shown and described.

DESCRIPTION

FIG. 1 is a top, back, left perspective view of a first embodiment of a firearm trigger guard in accordance with the present disclosure.

FIG. 2 is a bottom, front, left perspective view of the firearm trigger guard of FIG. 1.

FIG. 3 is a front view of the firearm trigger guard of FIG. 1.

FIG. 4 is a back view of the firearm trigger guard of FIG. 1.

FIG. 5 is a right side view of the firearm trigger guard of FIG. 1.

FIG. 6 is a left side view of the firearm trigger guard of FIG. 1.

FIG. 7 is a bottom view of the firearm trigger guard of FIG. 1.

FIG. 8 is a top view of the firearm trigger guard of FIG. 1.

FIG. 9 is a top, front, left perspective view of the firearm trigger guard of FIG. 1, shown in an environment of use.

FIG. 10 is a top, back, left perspective view of the firearm trigger guard of FIG. 1, shown in an environment of use.

FIG. 11 is a bottom, front, left perspective view of the firearm trigger guard of FIG. 1, shown in an environment of use.

FIG. 12 is a bottom, back, left perspective view of the firearm trigger guard of FIG. 1, shown in an environment of use.

FIG. 13 is a left side view of the firearm trigger guard of FIG. 1, shown in an environment of use.

FIG. 14 is a top, front, left perspective view of a second embodiment of a firearm trigger guard in accordance with the present disclosure.

FIG. 15 is a top, back, left perspective view of the firearm trigger guard of FIG. 14.

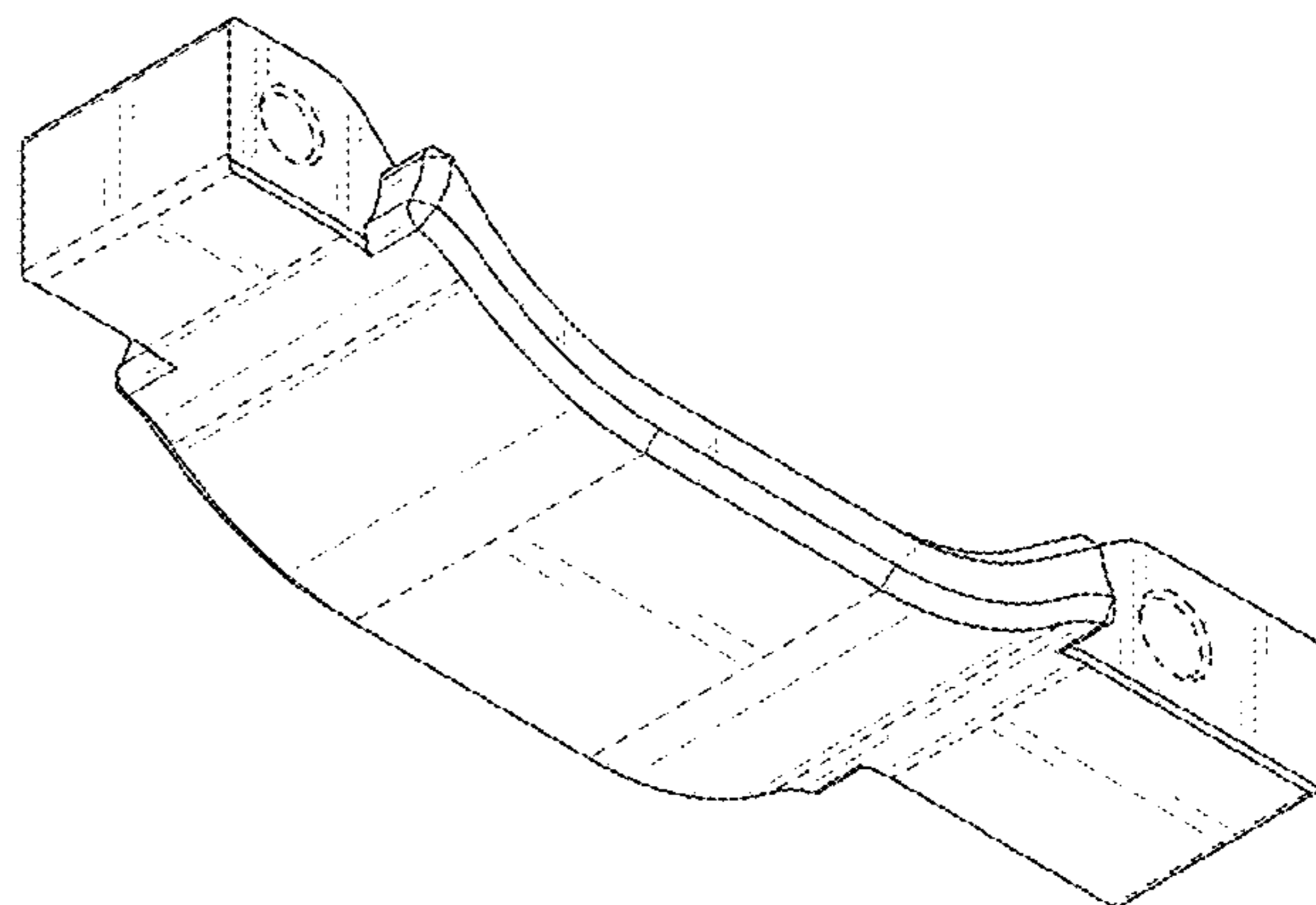
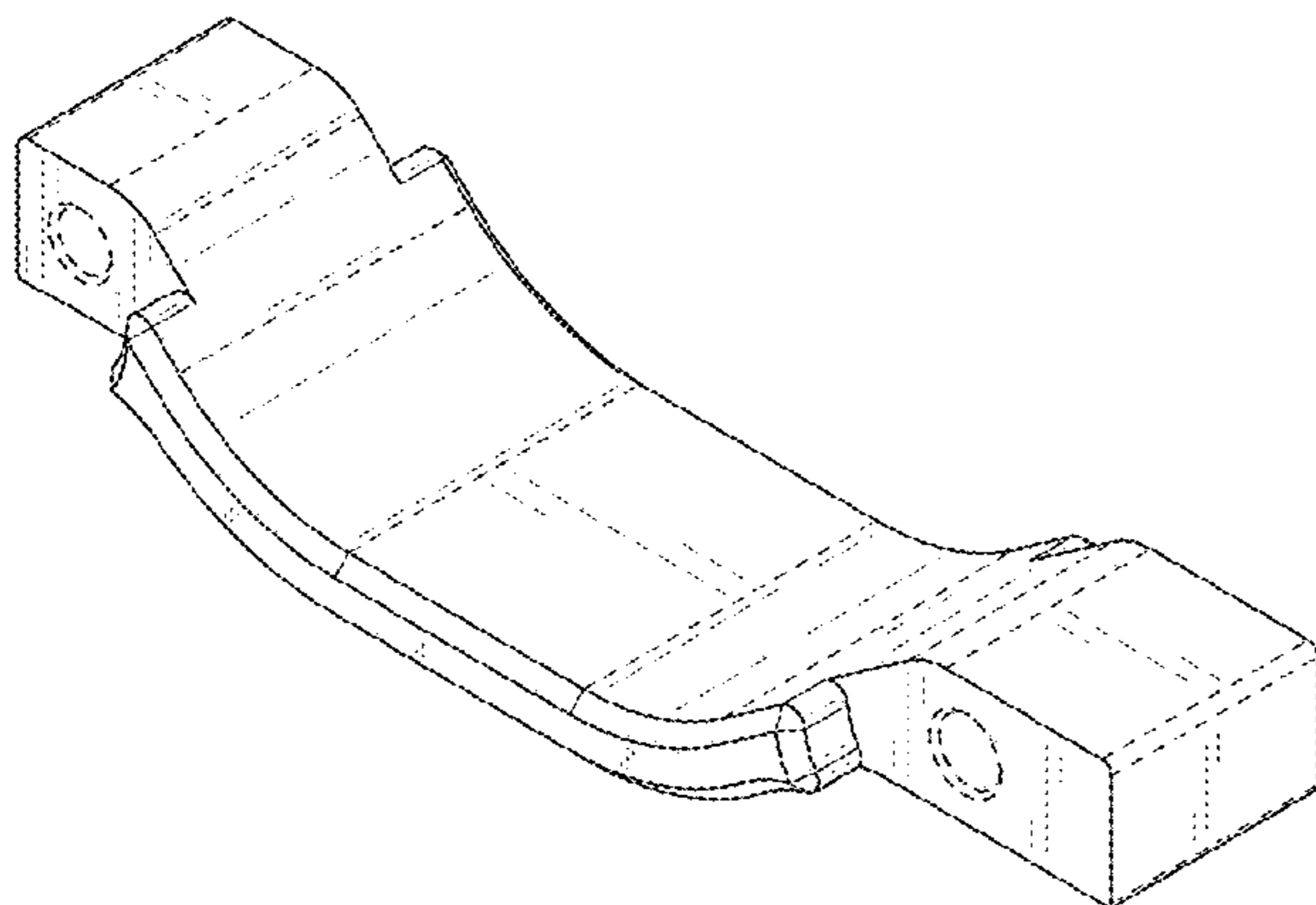
FIG. 16 is a bottom, front, left perspective view of the firearm trigger guard of FIG. 14.

FIG. 17 is a bottom, back, left perspective view of the firearm trigger guard of FIG. 14; and,

FIG. 18 is a left side view of the firearm trigger guard of FIG. 14.

The broken lines in the Figures illustrate portions of the article that form no part of the claimed design.

1 Claim, 12 Drawing Sheets



(58) **Field of Classification Search**

CPC F41A 19/10; F41A 17/46; F41A 35/00;
F41A 19/09; F41A 19/11; F41A 19/21;
F41C 27/00

See application file for complete search history.

(56) **References Cited**

U.S. PATENT DOCUMENTS

D627,415 S * 11/2010 Finn D22/108
D702,801 S * 4/2014 Larson D22/108
D722,358 S * 2/2015 Keller D22/108
9,217,618 B1 * 12/2015 Miller, III F41A 19/11
D849,176 S * 5/2019 Luth D22/108
2005/0183317 A1 * 8/2005 Finn F41A 19/11
42/72
2010/0077914 A1 * 4/2010 Steimke F41A 3/50
89/156
2019/0162498 A1 * 5/2019 Amodio F41A 19/11

* cited by examiner

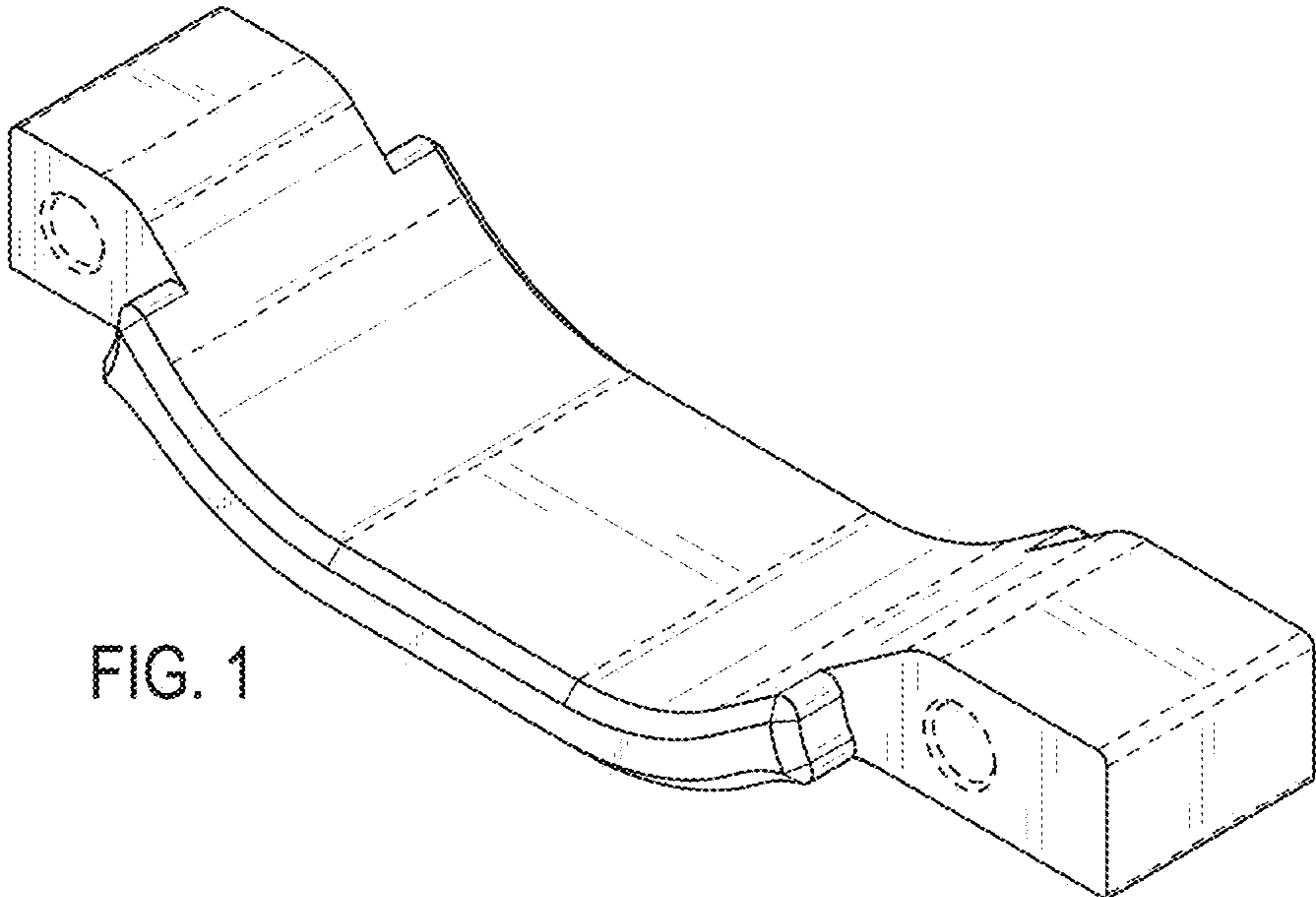


FIG. 1

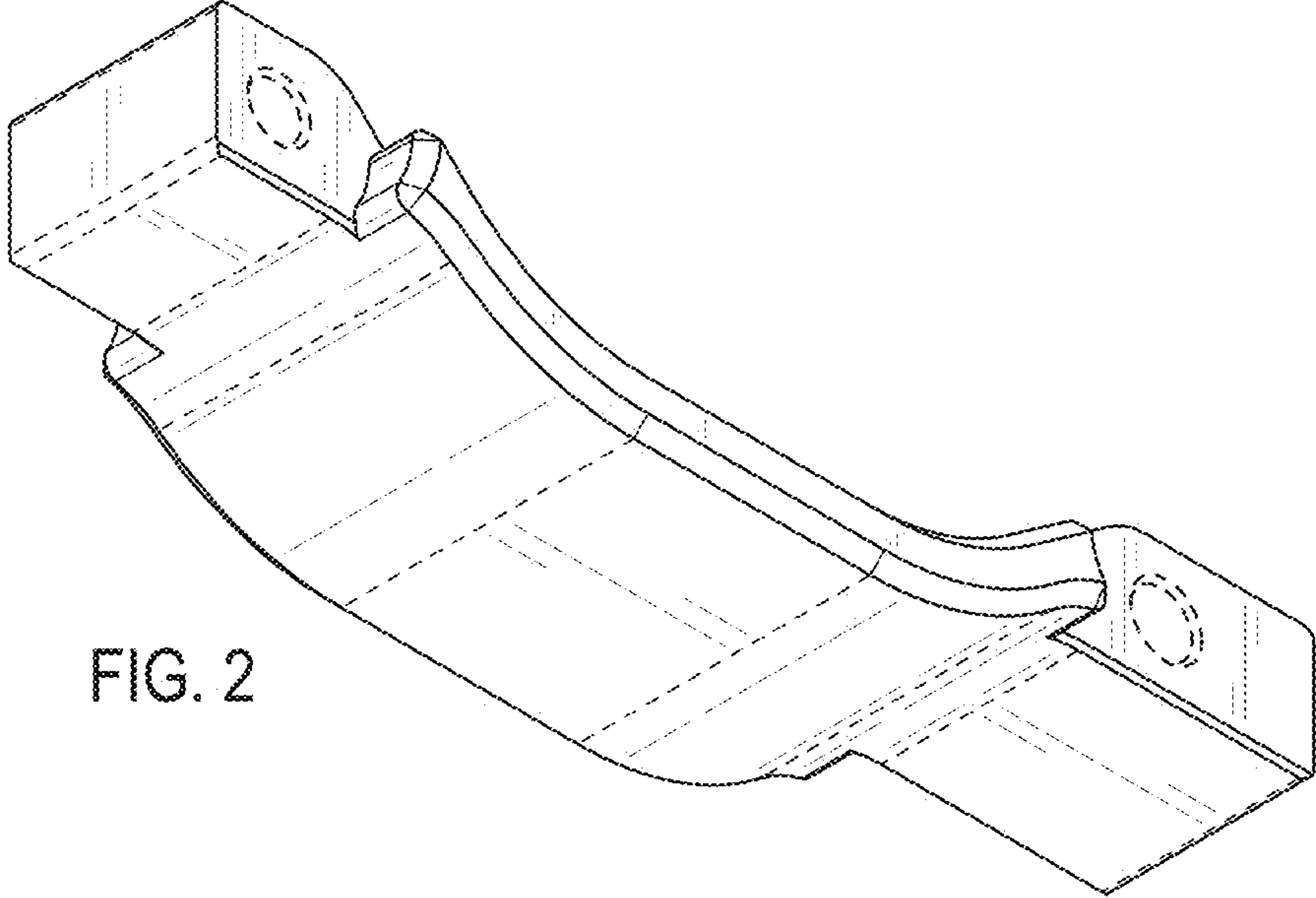


FIG. 2

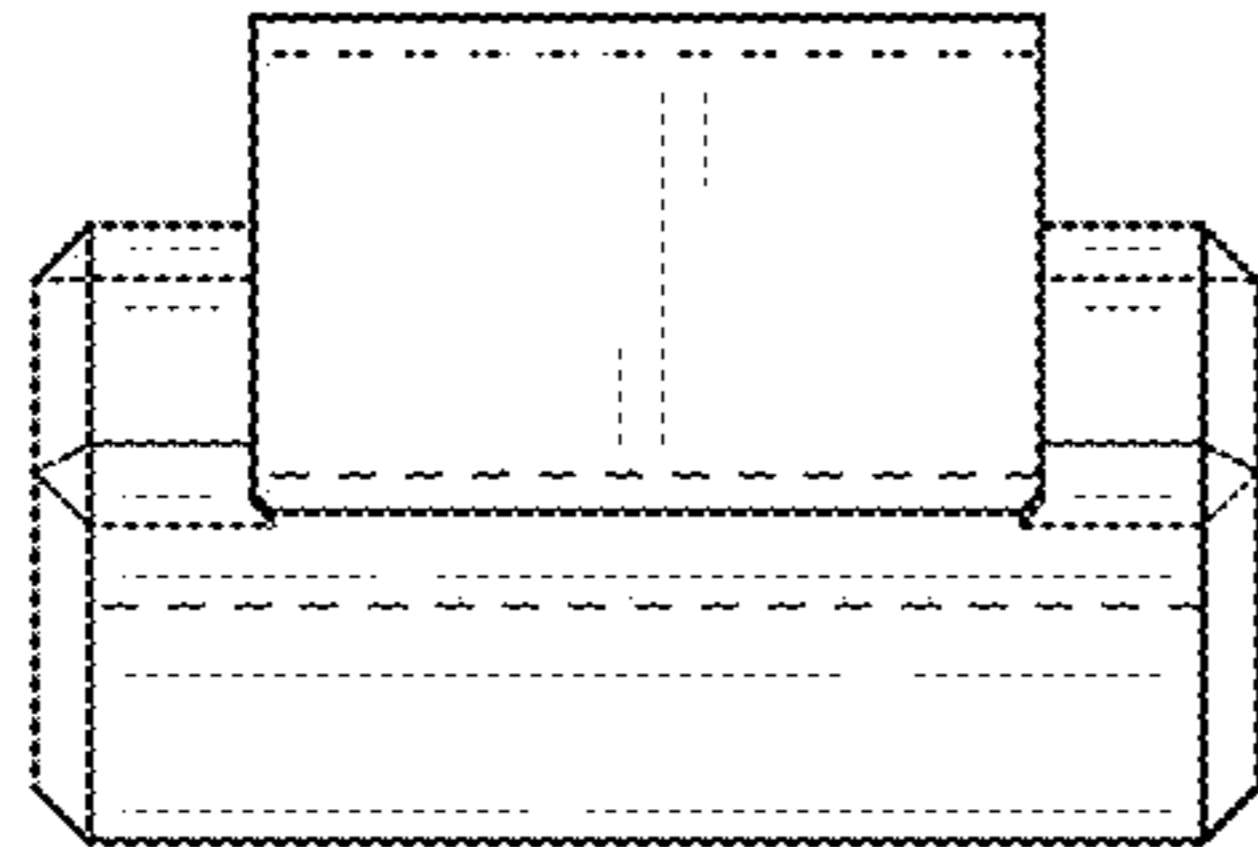


FIG. 3

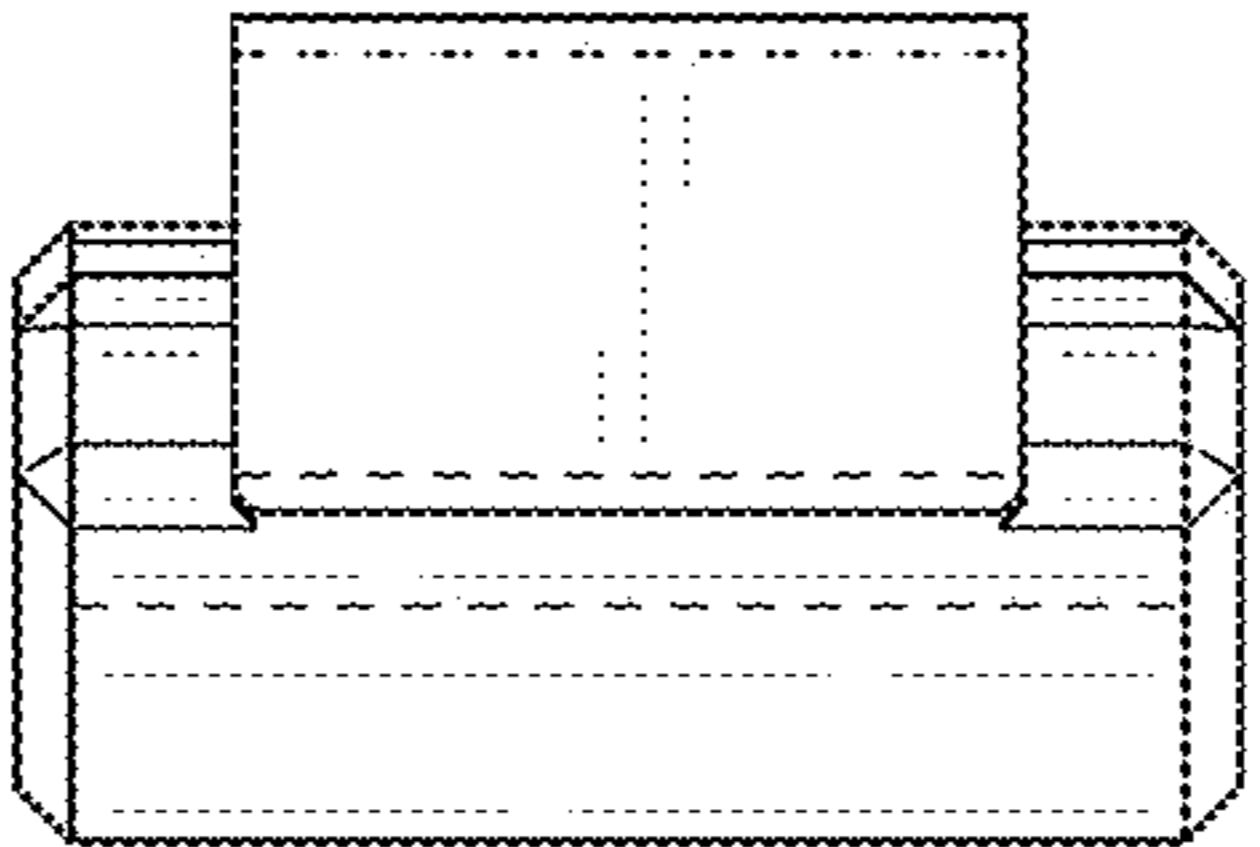


FIG. 4



FIG. 5



FIG. 6

FIG. 7

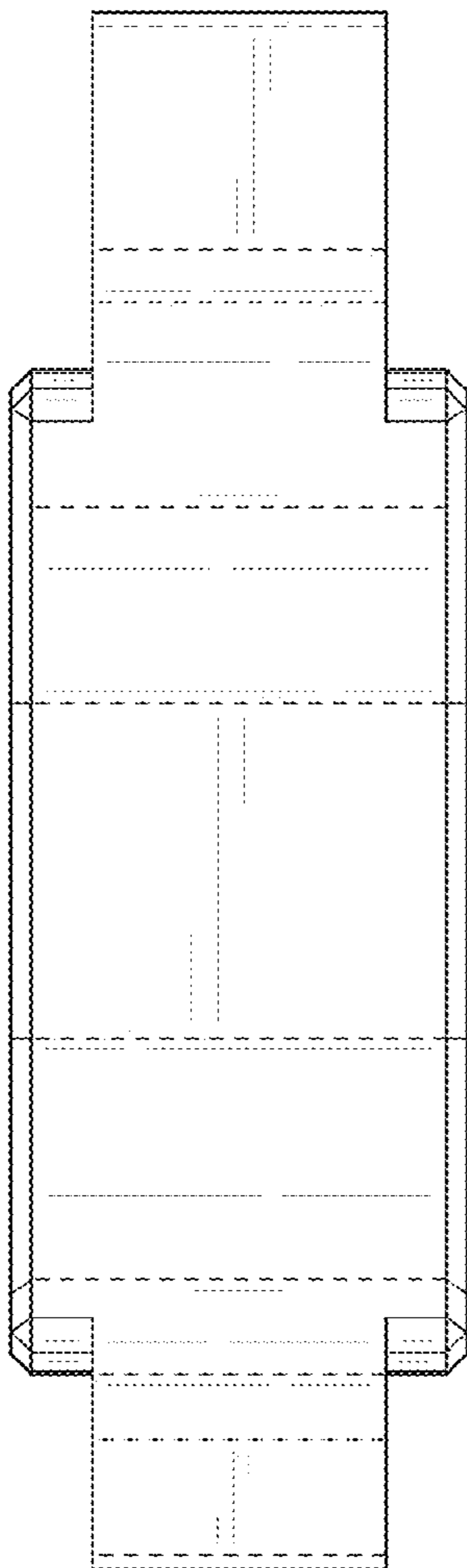
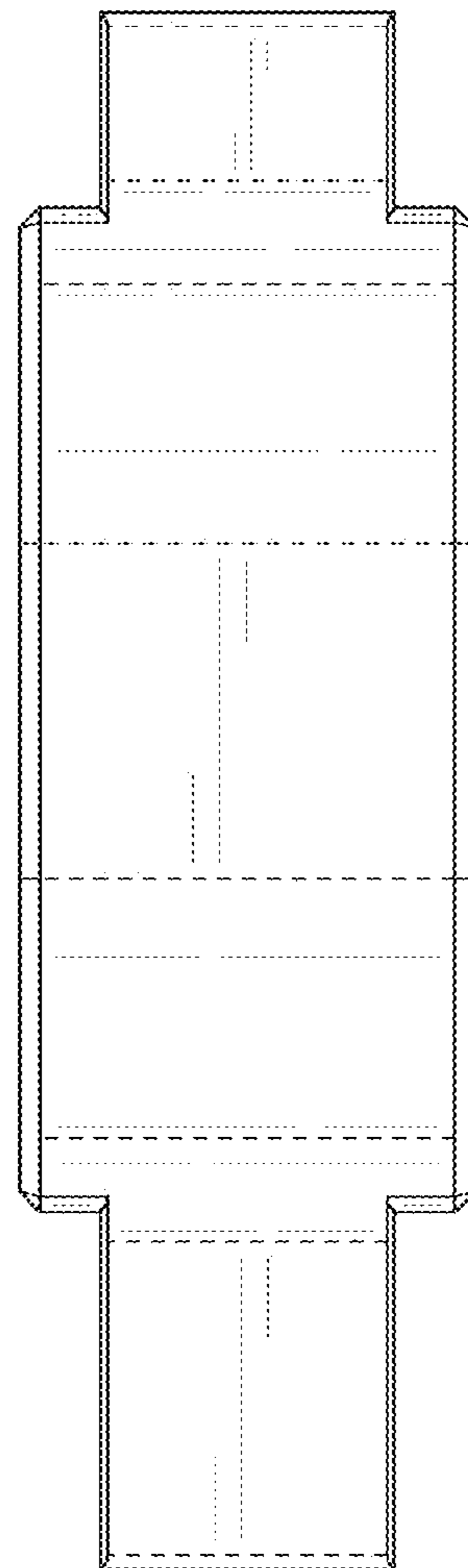


FIG. 8



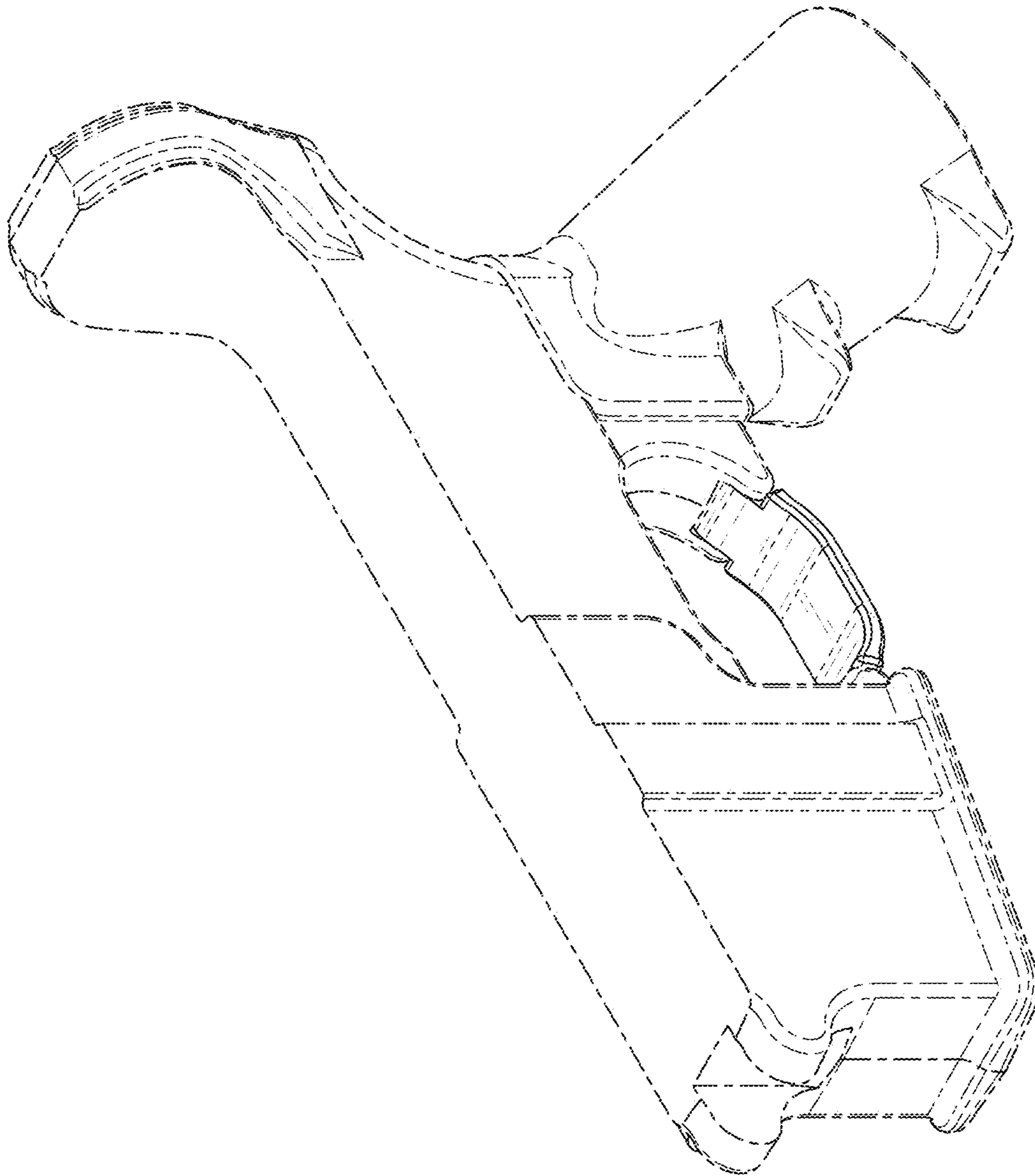


FIG. 9

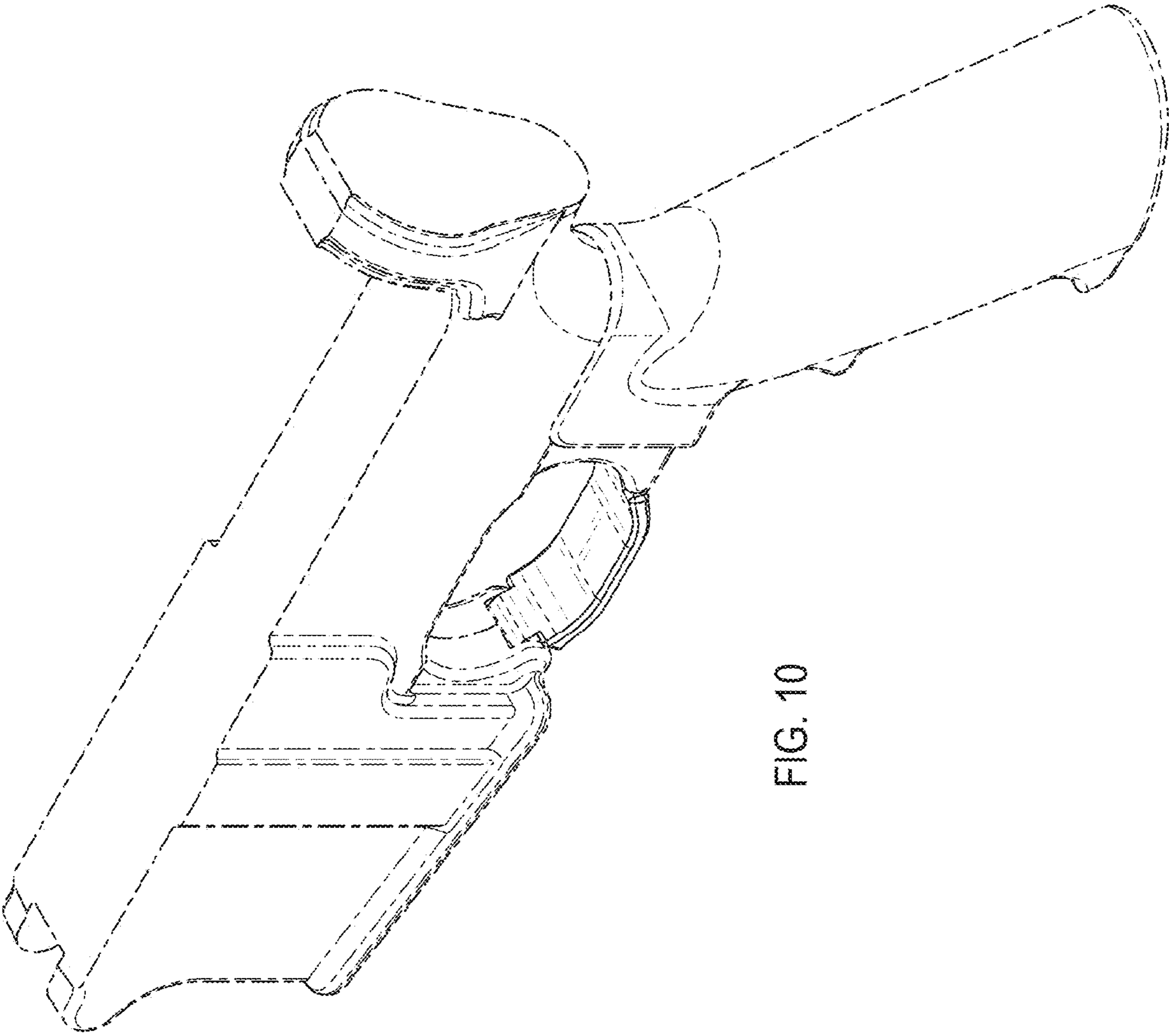


FIG. 10

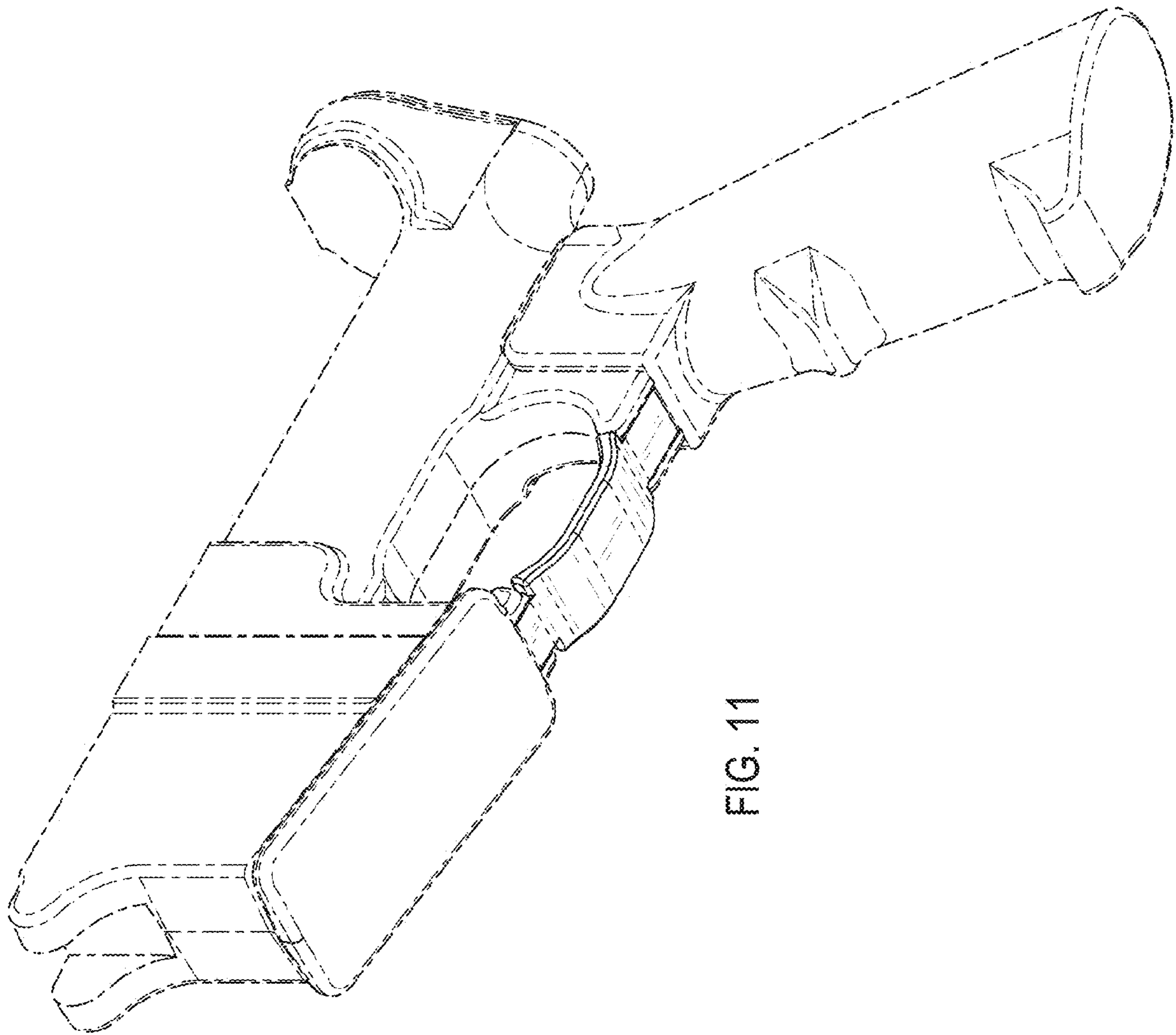


FIG. 11

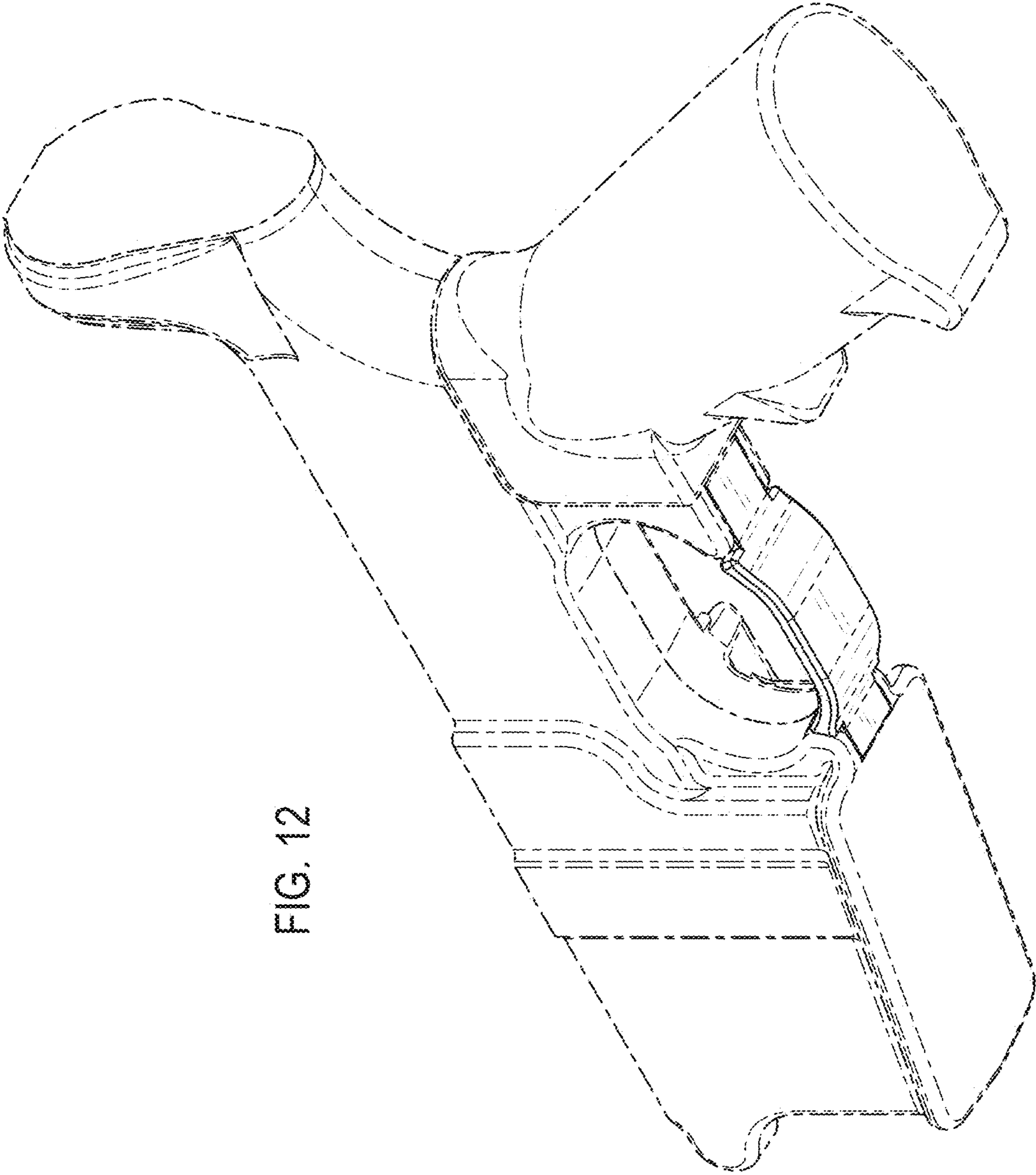


FIG. 12

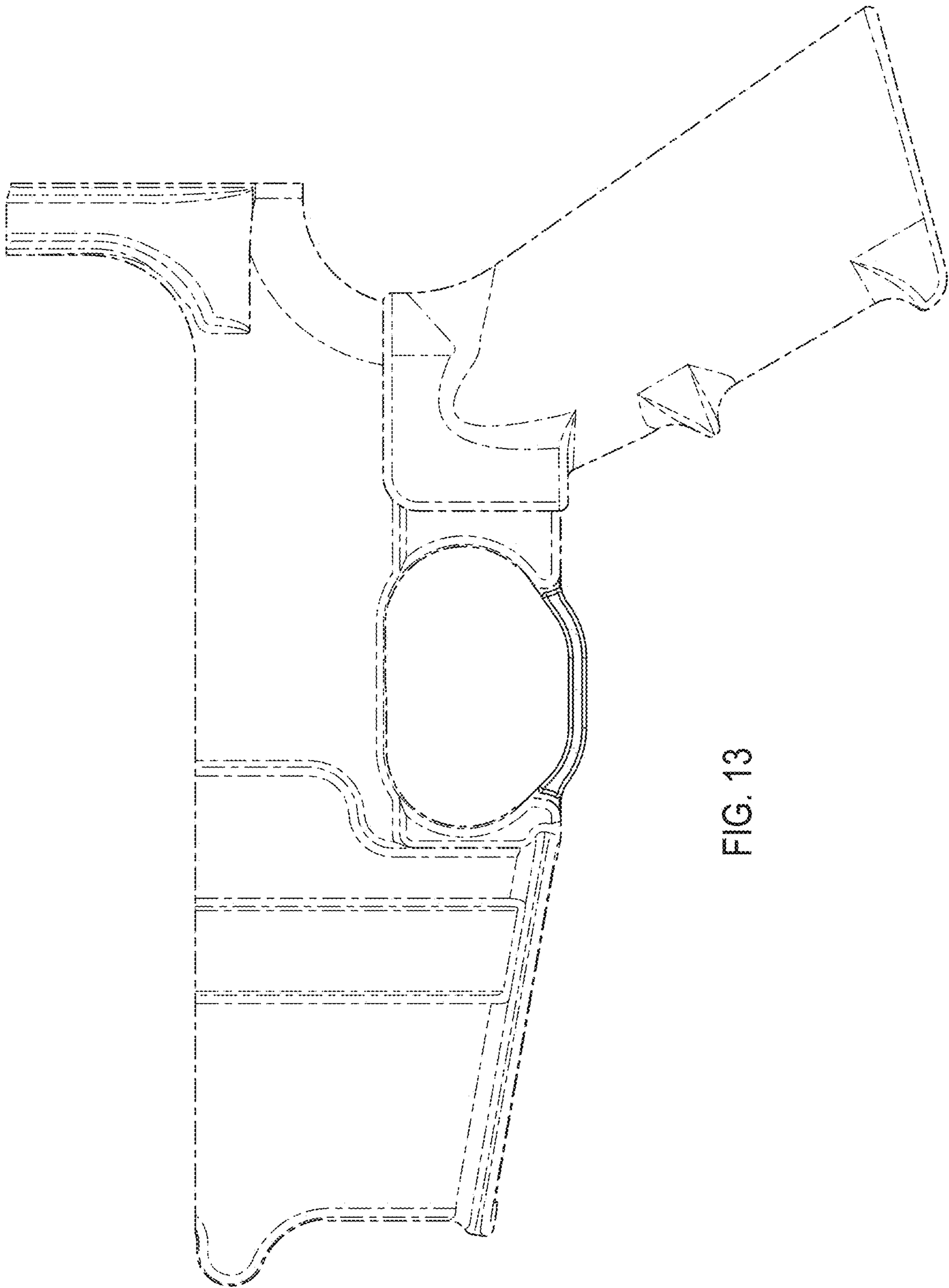


FIG. 13

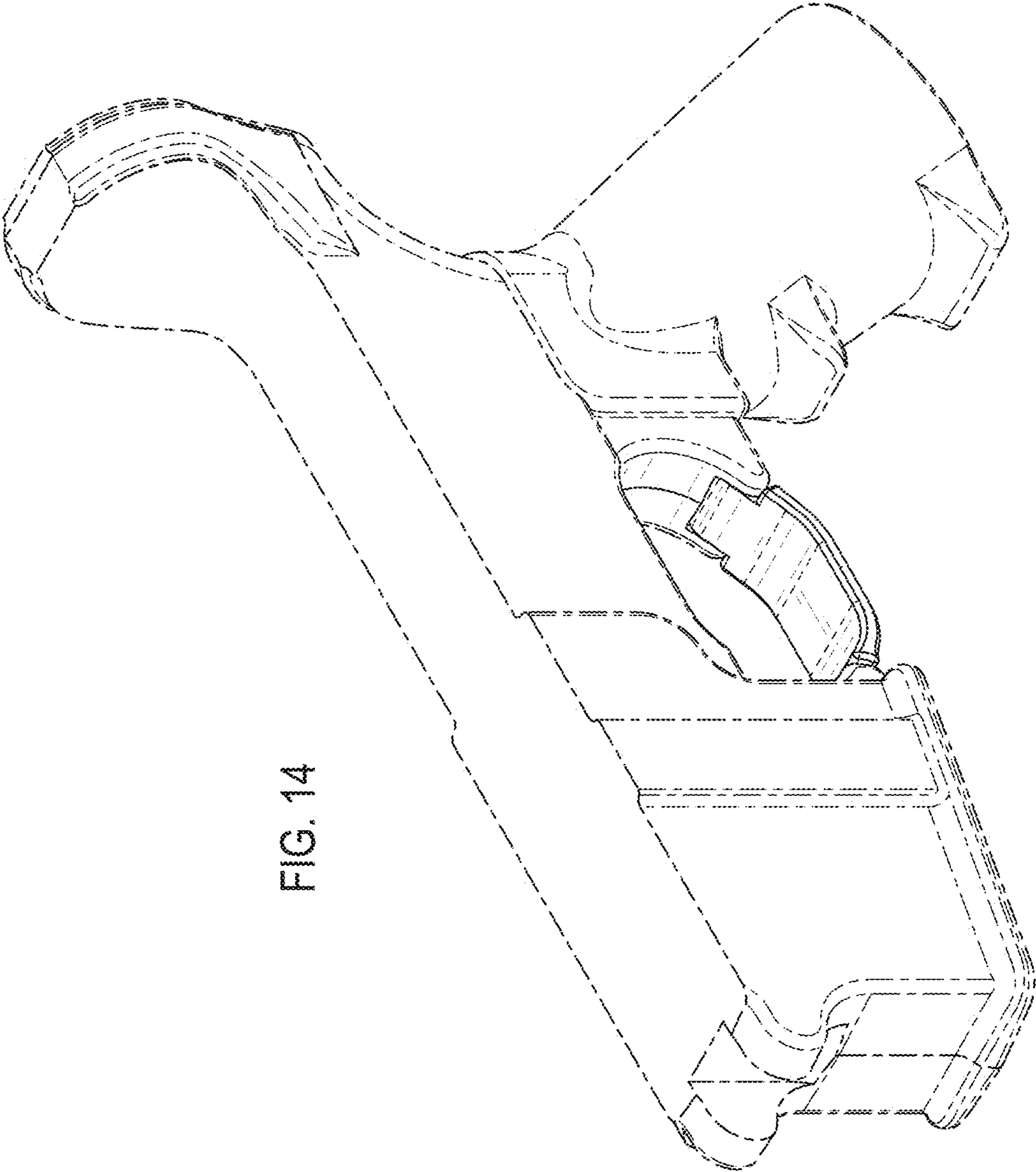


FIG. 14

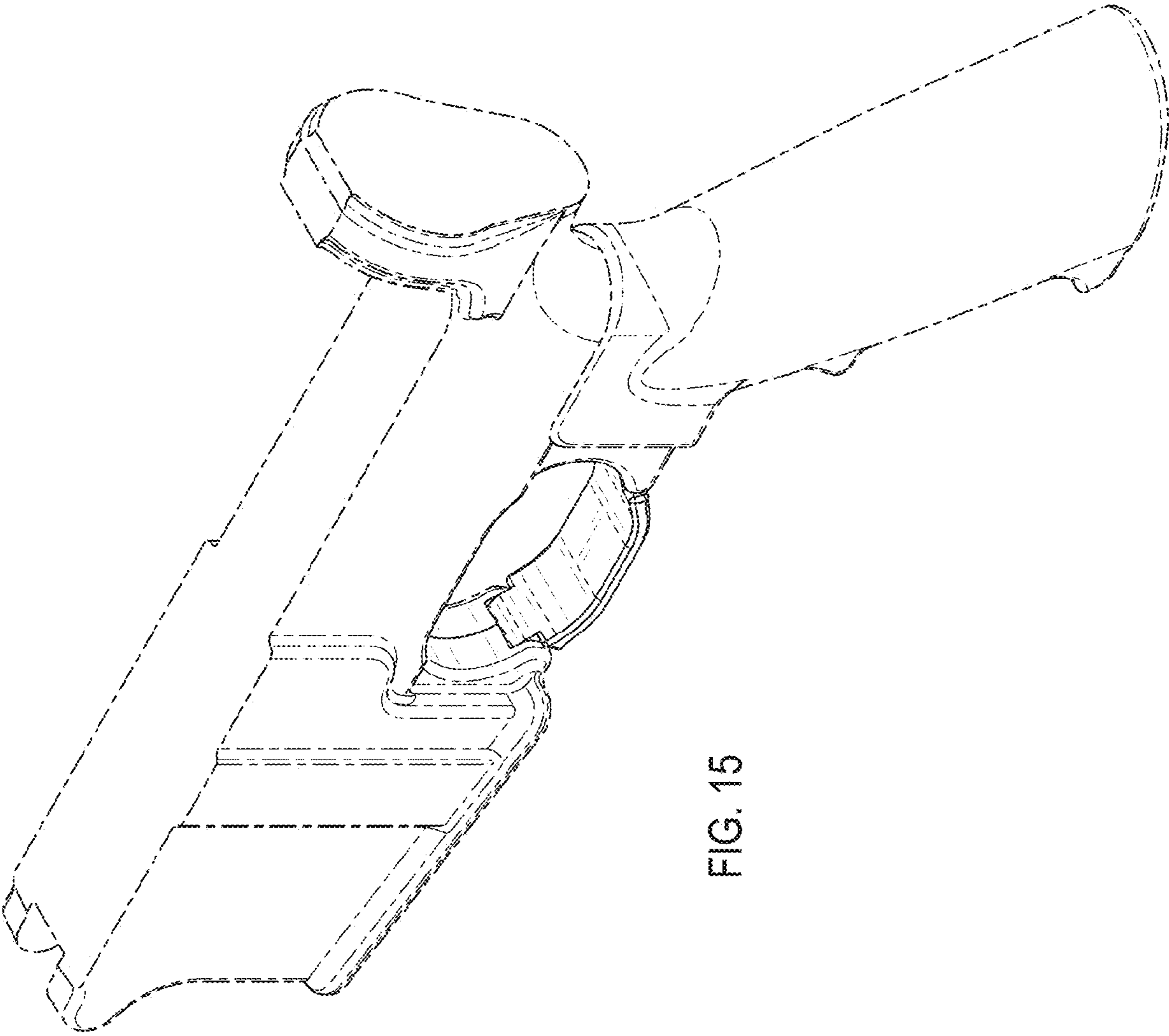


FIG. 15

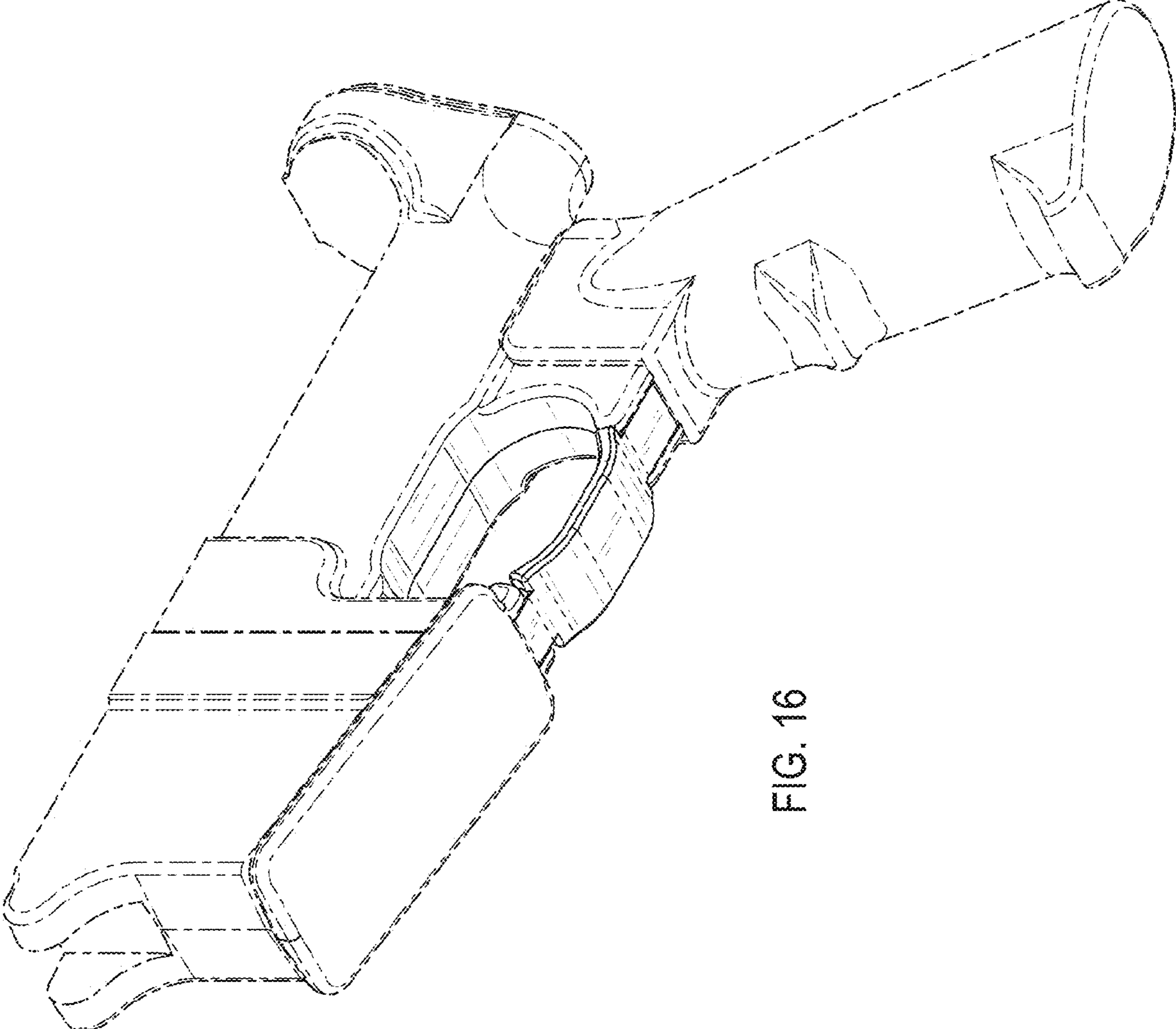


FIG. 16

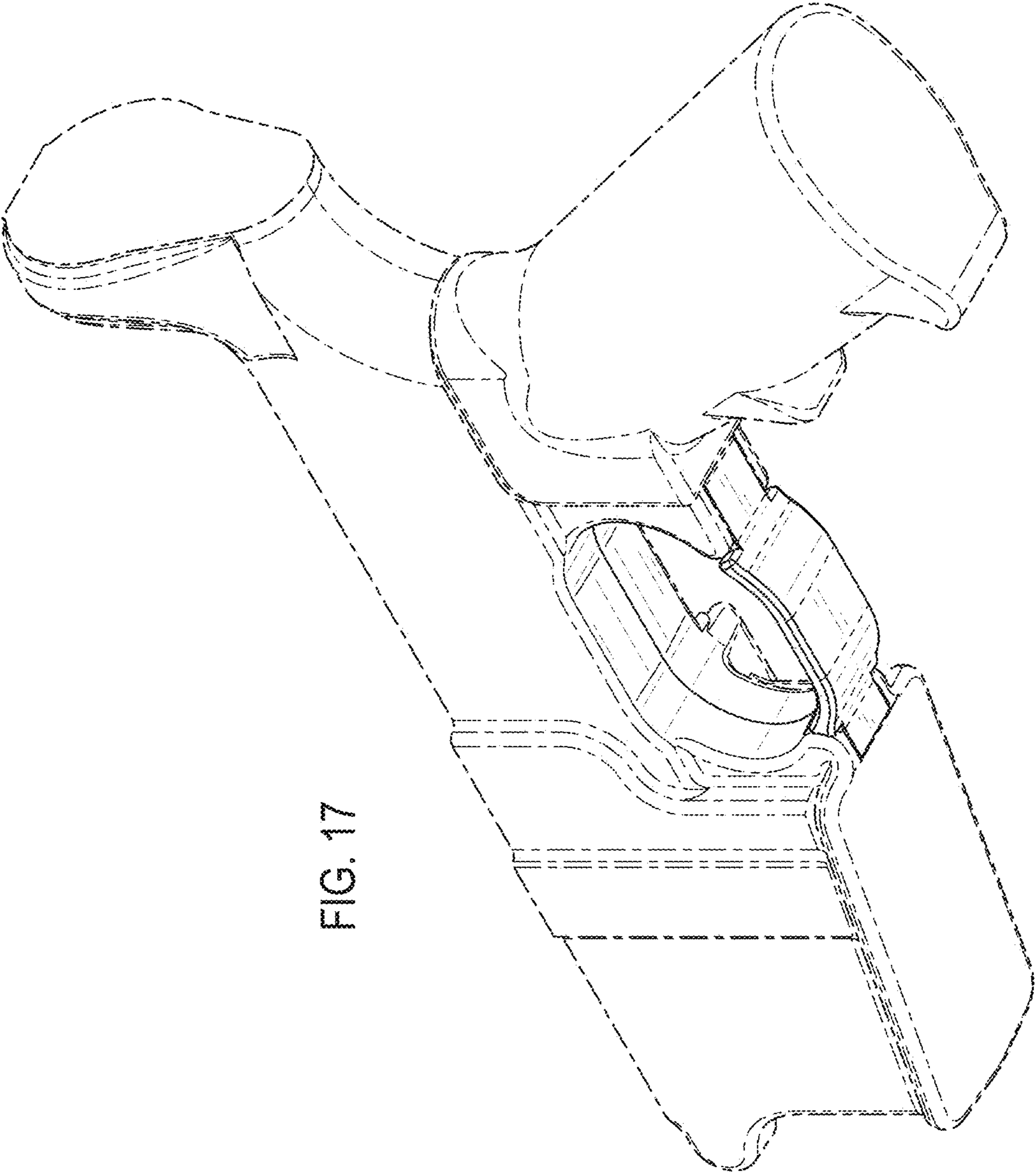


FIG. 17

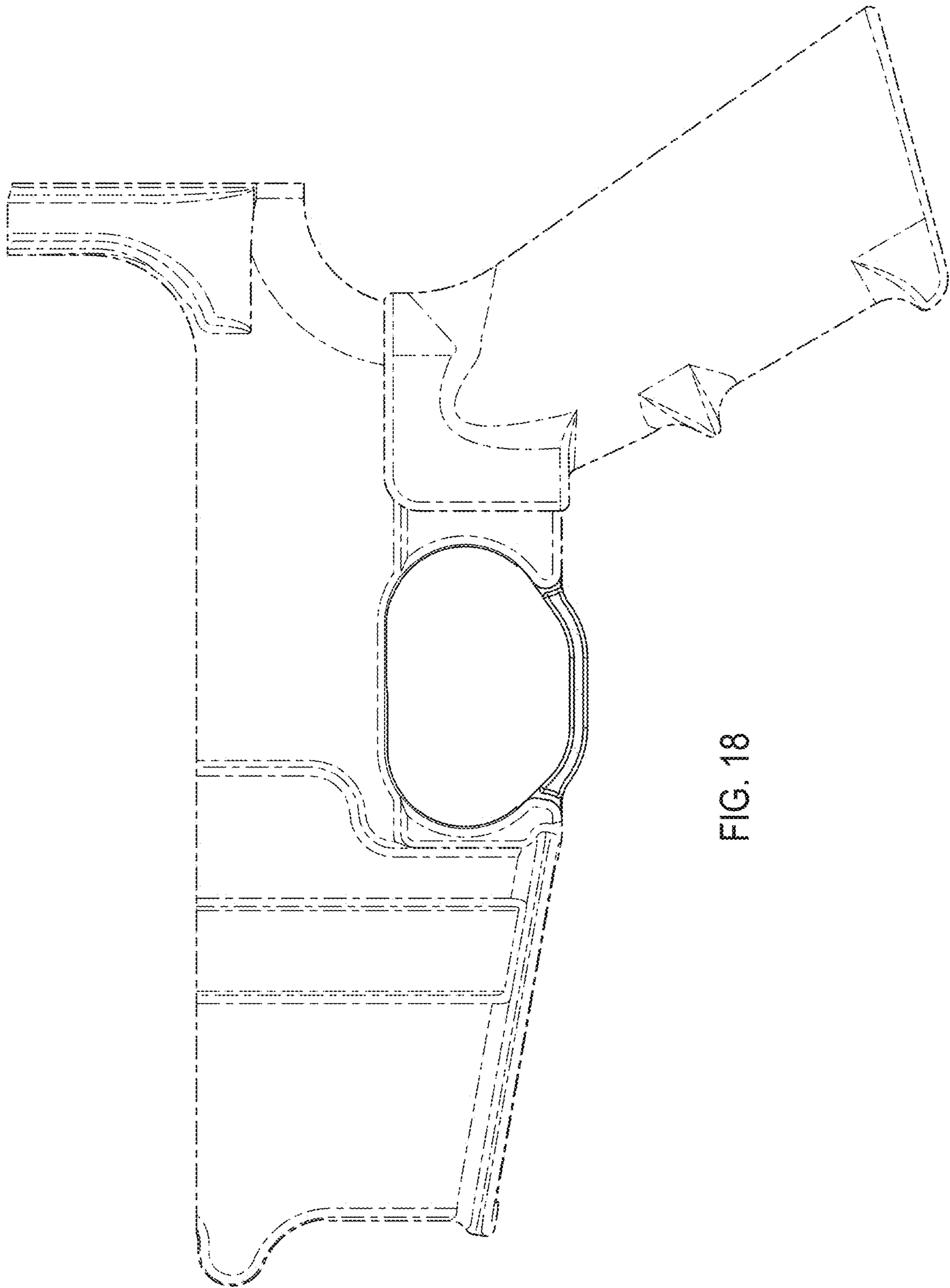


FIG. 18