



US00D882015S

(12) **United States Design Patent**
Juarez

(10) **Patent No.:** **US D882,015 S**
(45) **Date of Patent:** **** Apr. 21, 2020**

(54) **FIREARM CHASSIS**

(71) Applicant: **Justin R. Juarez**, Middleton, ID (US)

(72) Inventor: **Justin R. Juarez**, Middleton, ID (US)

(**) Term: **15 Years**

(21) Appl. No.: **29/655,176**

(22) Filed: **Jun. 29, 2018**

(51) **LOC (12) Cl.** **22-01**

(52) **U.S. Cl.**
USPC **D22/108; D22/103**

(58) **Field of Classification Search**

USPC D22/100, 101, 103, 104, 105, 107, 108,
D22/109, 110, 111, 199; D21/567, 569,
D21/570, 571, 573, 574, 575
CPC F41G 1/30; F41G 3/26; F42B 5/28; F41C
23/16; F41A 23/16; F41A 23/18; F41A
9/83; F41A 33/00

See application file for complete search history.

(56) **References Cited**

U.S. PATENT DOCUMENTS

| | | | | | |
|--------------|------|---------|----------|-------|------------------------|
| 5,711,102 | A * | 1/1998 | Plaster | | F41C 23/00 42/71.01 |
| D722,672 | S * | 2/2015 | Juarez | | D22/108 |
| D729,880 | S * | 5/2015 | Nichols | | D21/573 |
| D738,965 | S * | 9/2015 | Yang | | D21/570 |
| D739,478 | S * | 9/2015 | Yang | | D21/570 |
| 9,322,611 | B1 * | 4/2016 | Barfoot | | F41A 21/48 |
| D755,331 | S * | 5/2016 | Eitan | | D22/108 |
| D757,885 | S * | 5/2016 | Barfoot | | D22/108 |
| 9,429,387 | B1 * | 8/2016 | Barfoot | | F41C 23/16 |
| D775,298 | S * | 12/2016 | Barnett | | D22/107 |
| 10,094,639 | B2 * | 10/2018 | Sessions | | F41G 11/003 |
| 2012/0023800 | A1 * | 2/2012 | Laney | | F41A 3/58 42/8 |

OTHER PUBLICATIONS

“Magpul Hunter700 Stock” [online]. Melvin Ewing. [Published on Aug. 3, 2018]. Retrieved from the Internet: <http://www.snipercentral.com/magpul-hunter-700-stock/>.*

* cited by examiner

Primary Examiner — Khawaja Anwar

Assistant Examiner — Mojtaba Tehrani

(74) *Attorney, Agent, or Firm* — Dobbin IP Law P.C.;
Geoffrey E. Dobbin

(57) **CLAIM**

The ornamental design for a firearm chassis, as shown and described.

DESCRIPTION

FIG. 1 is a top-left perspective view of a firearm chassis, showing my new design.

FIG. 2 is a bottom-right perspective view thereof.

FIG. 3 is a right elevation view thereof.

FIG. 4 is a left elevation view thereof.

FIG. 5 is a top plan view thereof.

FIG. 6 is a bottom plan view thereof.

FIG. 7 is a front elevation thereof.

FIG. 8 is a rear elevation thereof.

FIG. 9 is bottom-left perspective view thereof.

FIG. 10 is top-right perspective view thereof.

FIG. 11 is a close-up view of the firearm chassis taken in circle XI of FIG. 1.

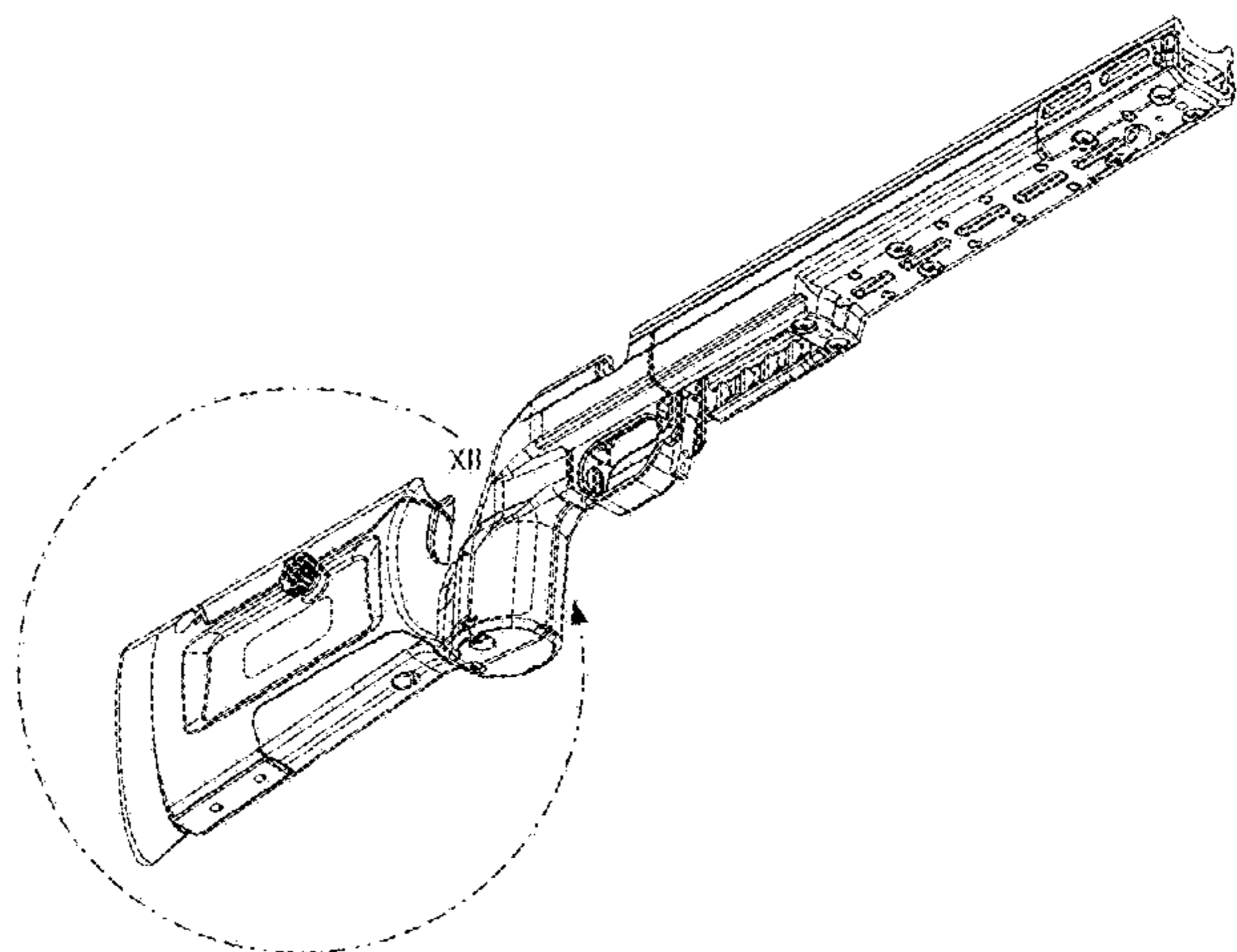
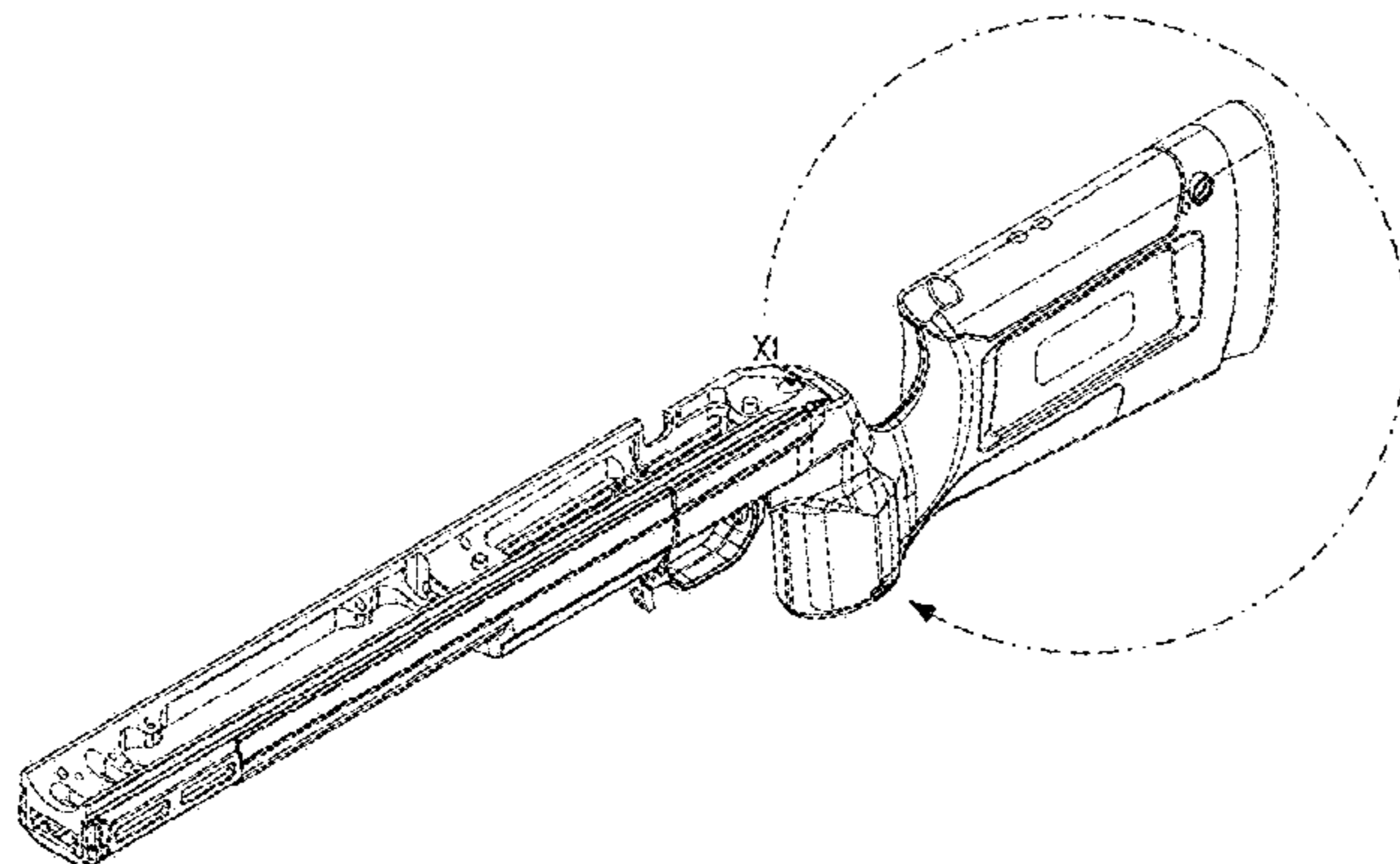
FIG. 12 is a close-up view of the firearm chassis taken in circle XII of FIG. 2.

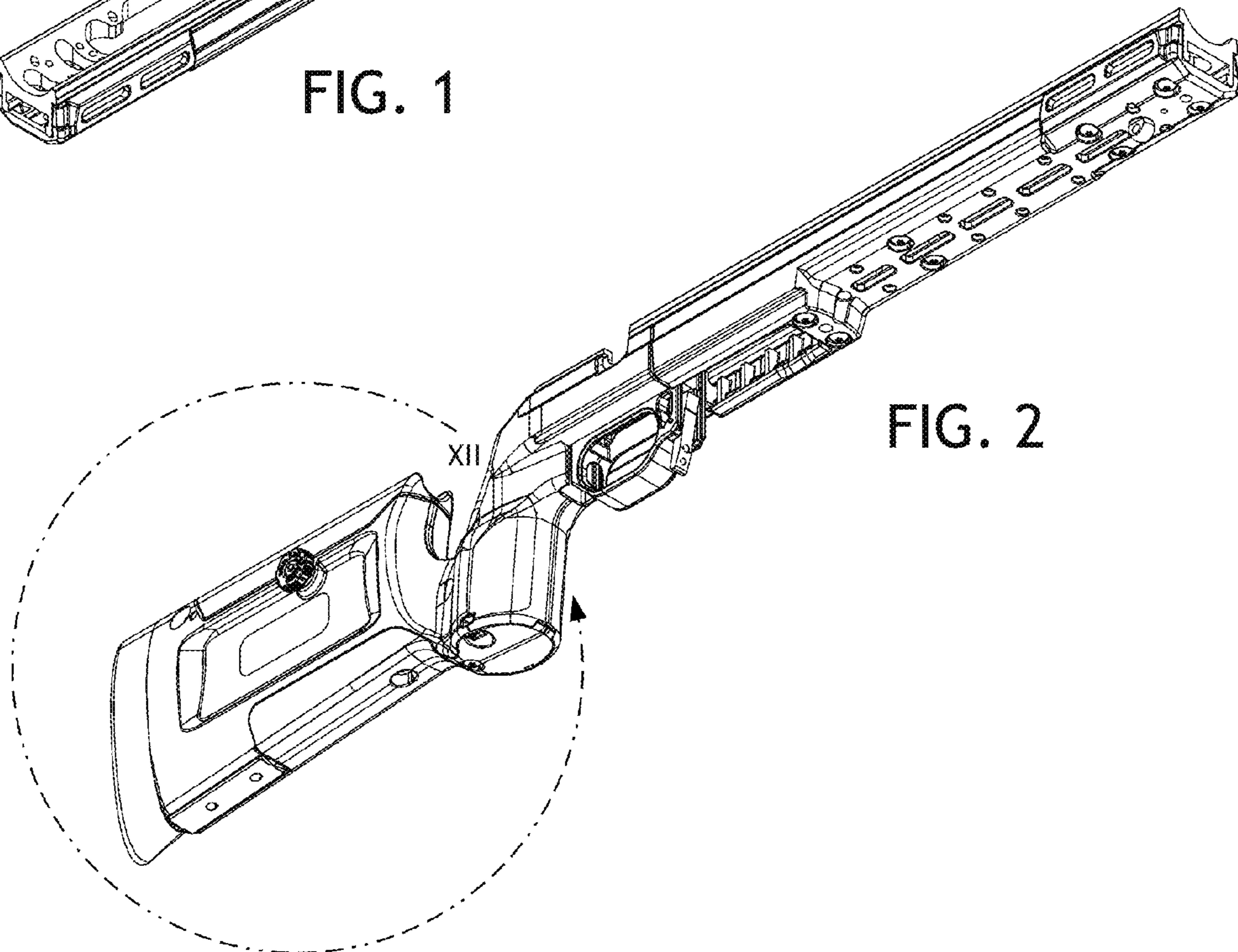
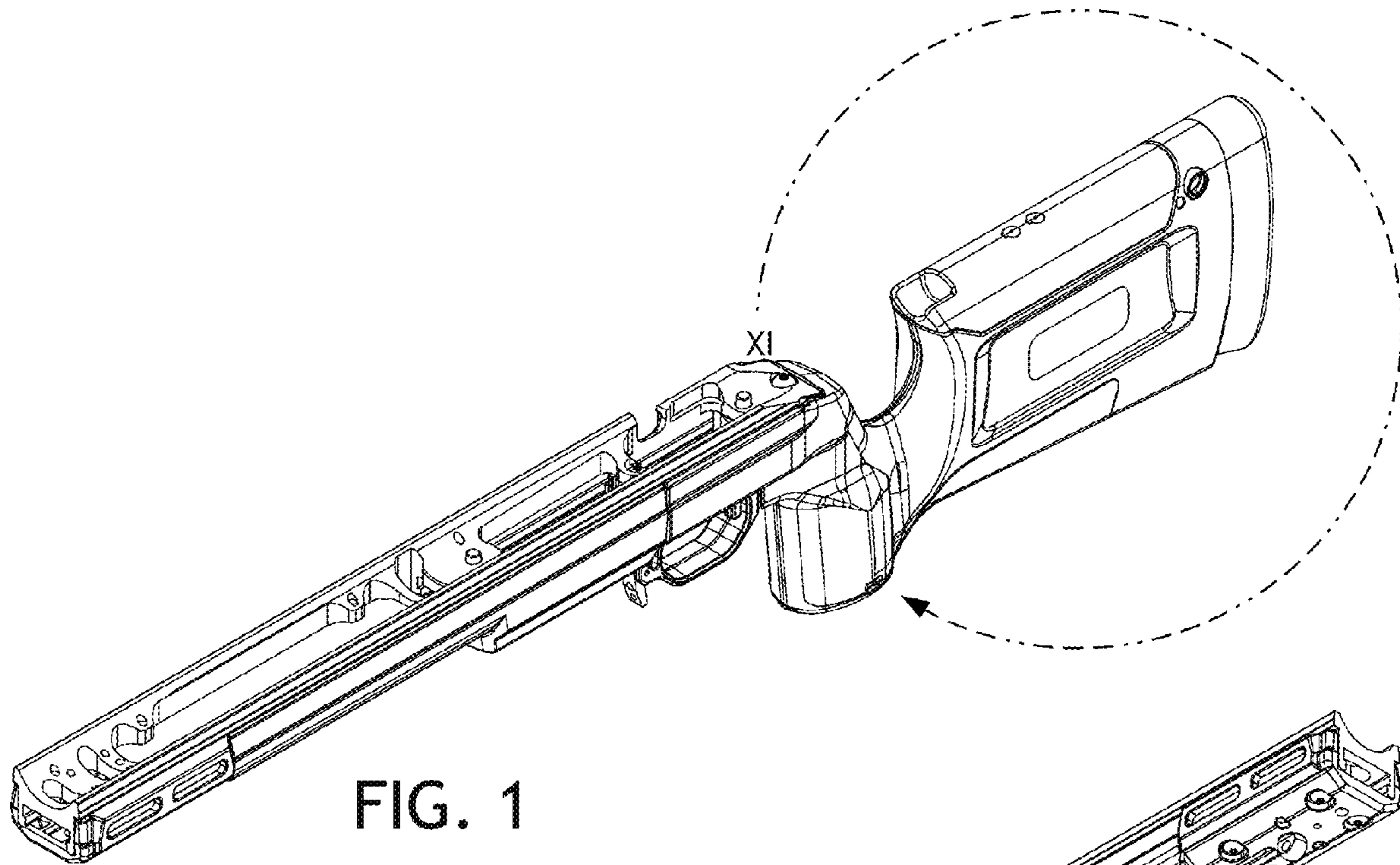
FIG. 13 is a close-up view of the firearm chassis taken in circle XIII of FIG. 9; and,

FIG. 14 is a close-up view of the firearm chassis taken in circle XIV of FIG. 10.

The evenly broken lines in the drawings depict unclaimed subject matter, while the dash-dot lines depict boundaries of the close-up views. The broken lines form no part of the claimed design.

1 Claim, 9 Drawing Sheets





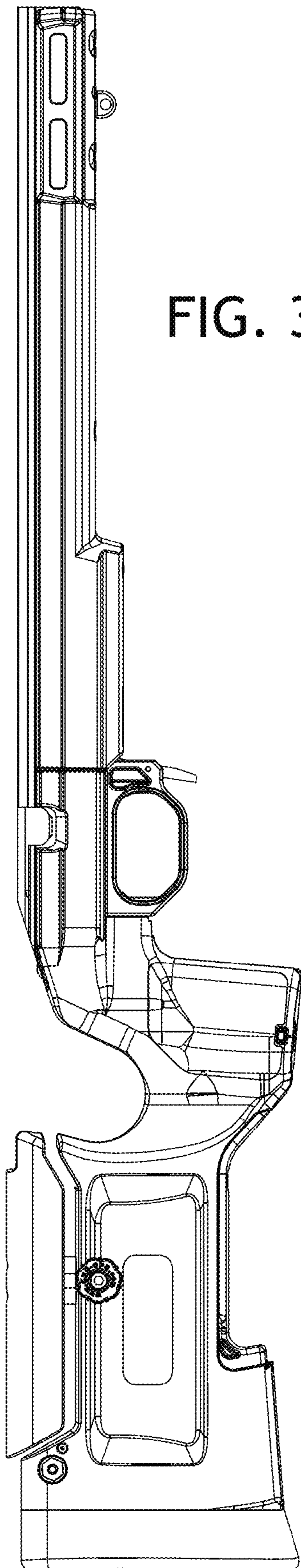


FIG. 3

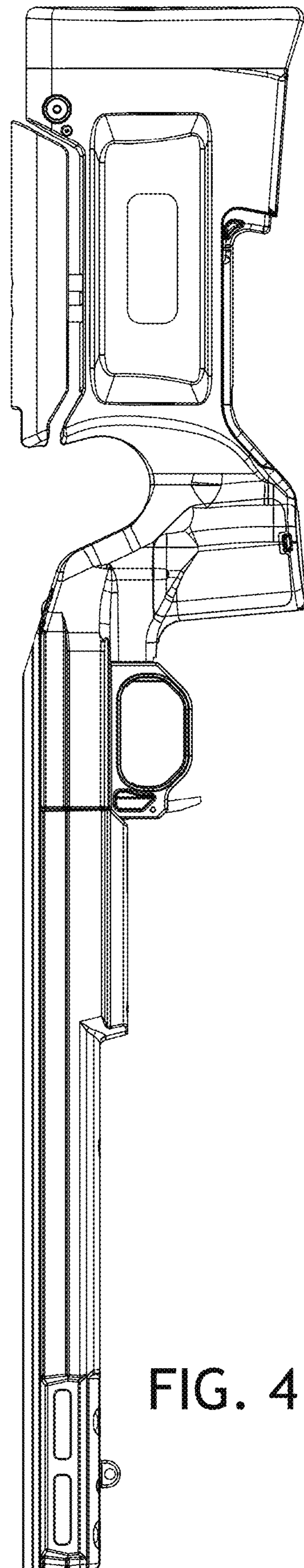


FIG. 4

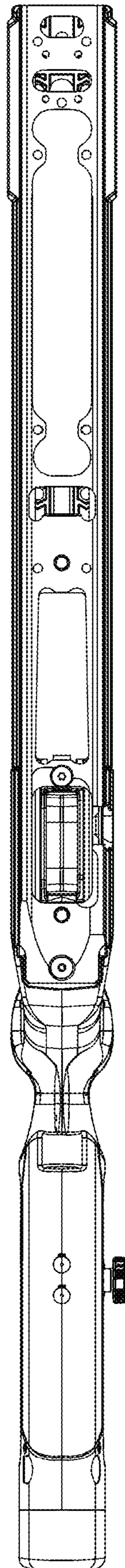


FIG. 5

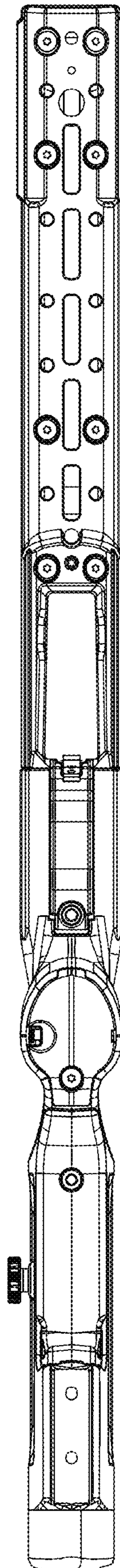


FIG. 6

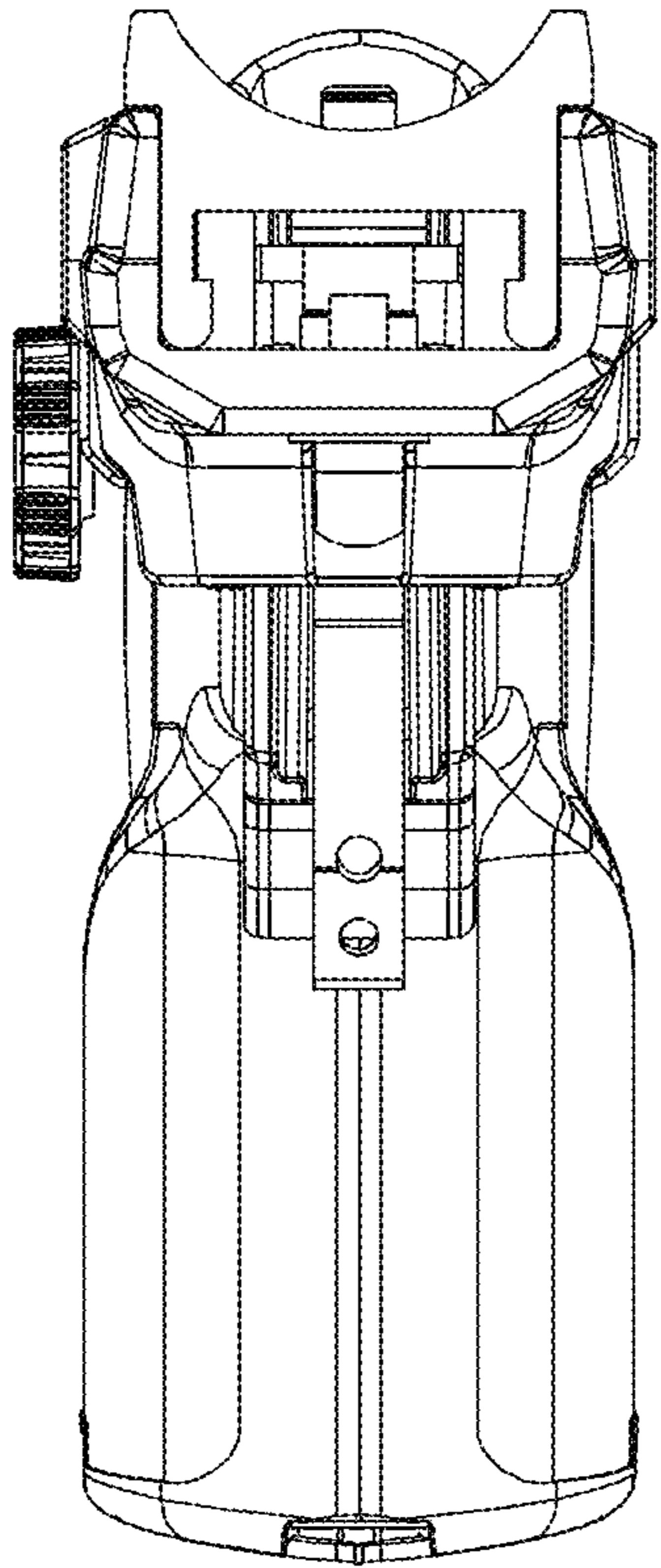


FIG. 7

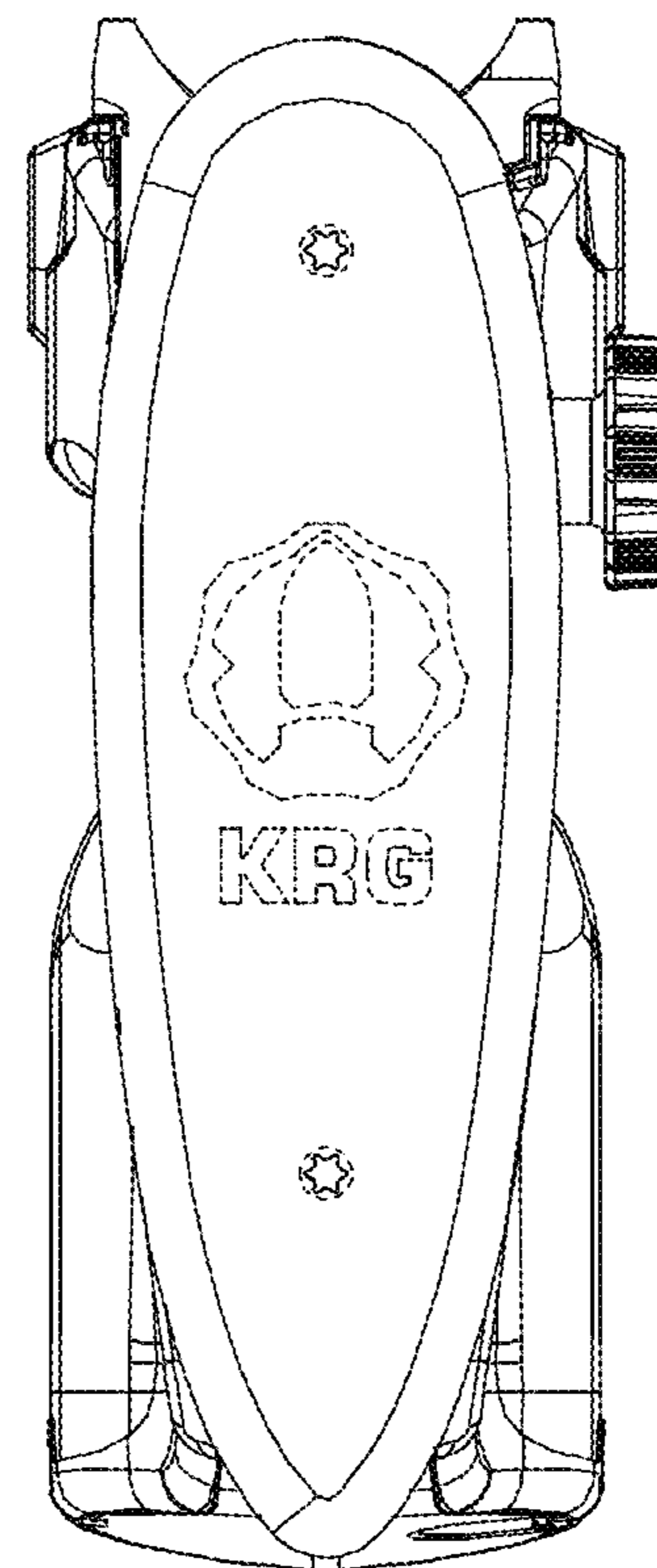


FIG. 8

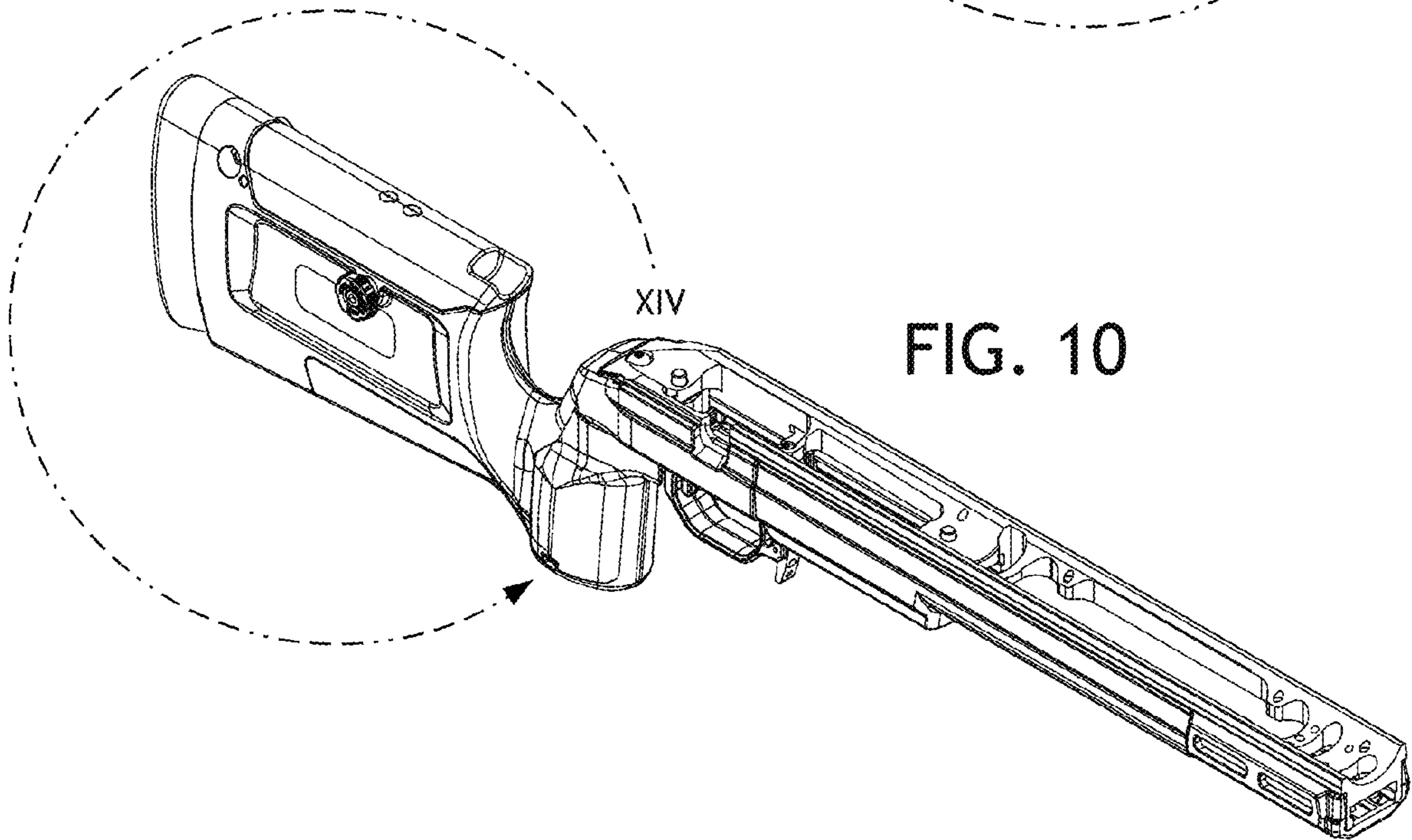
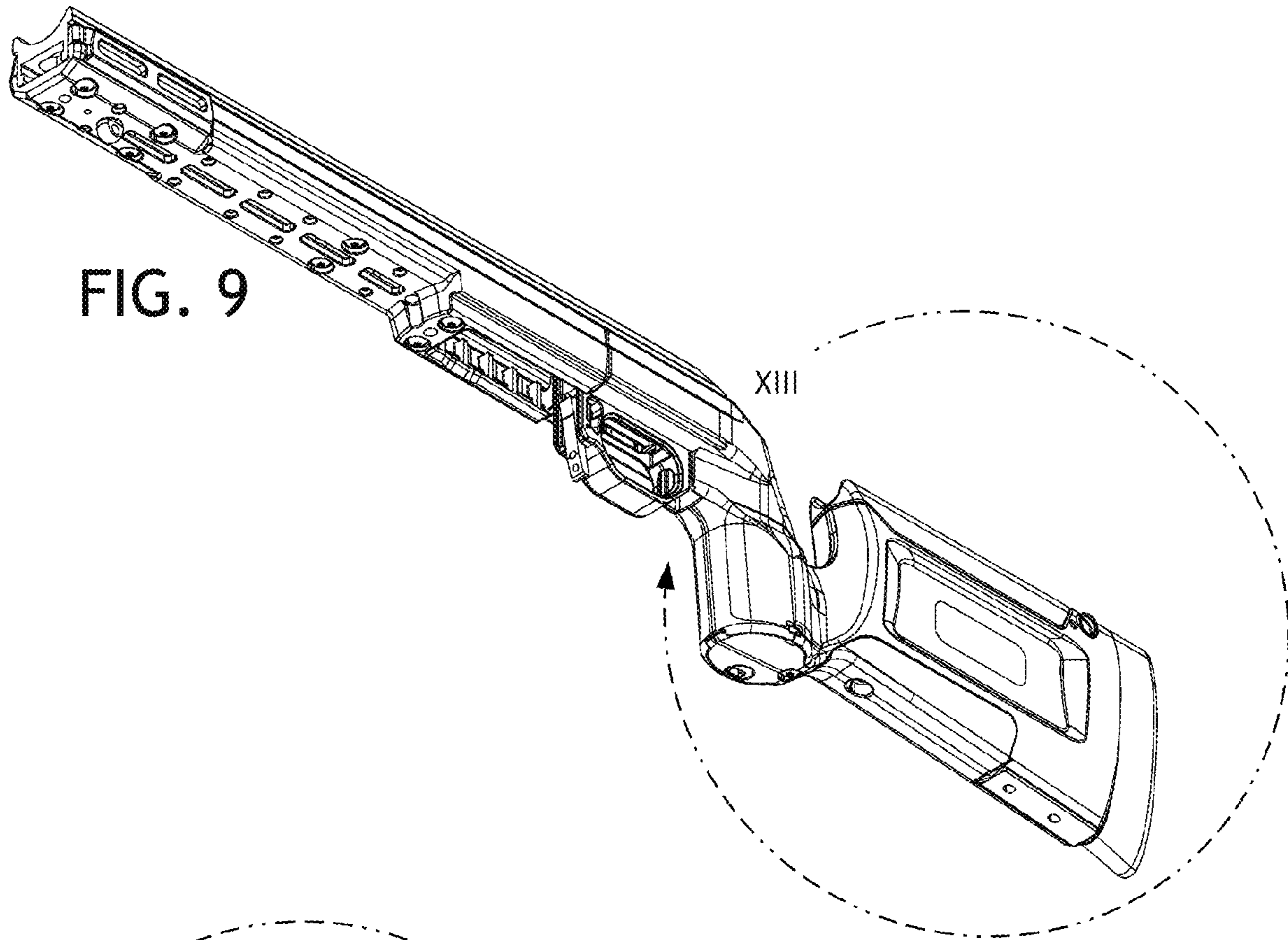


FIG. 11

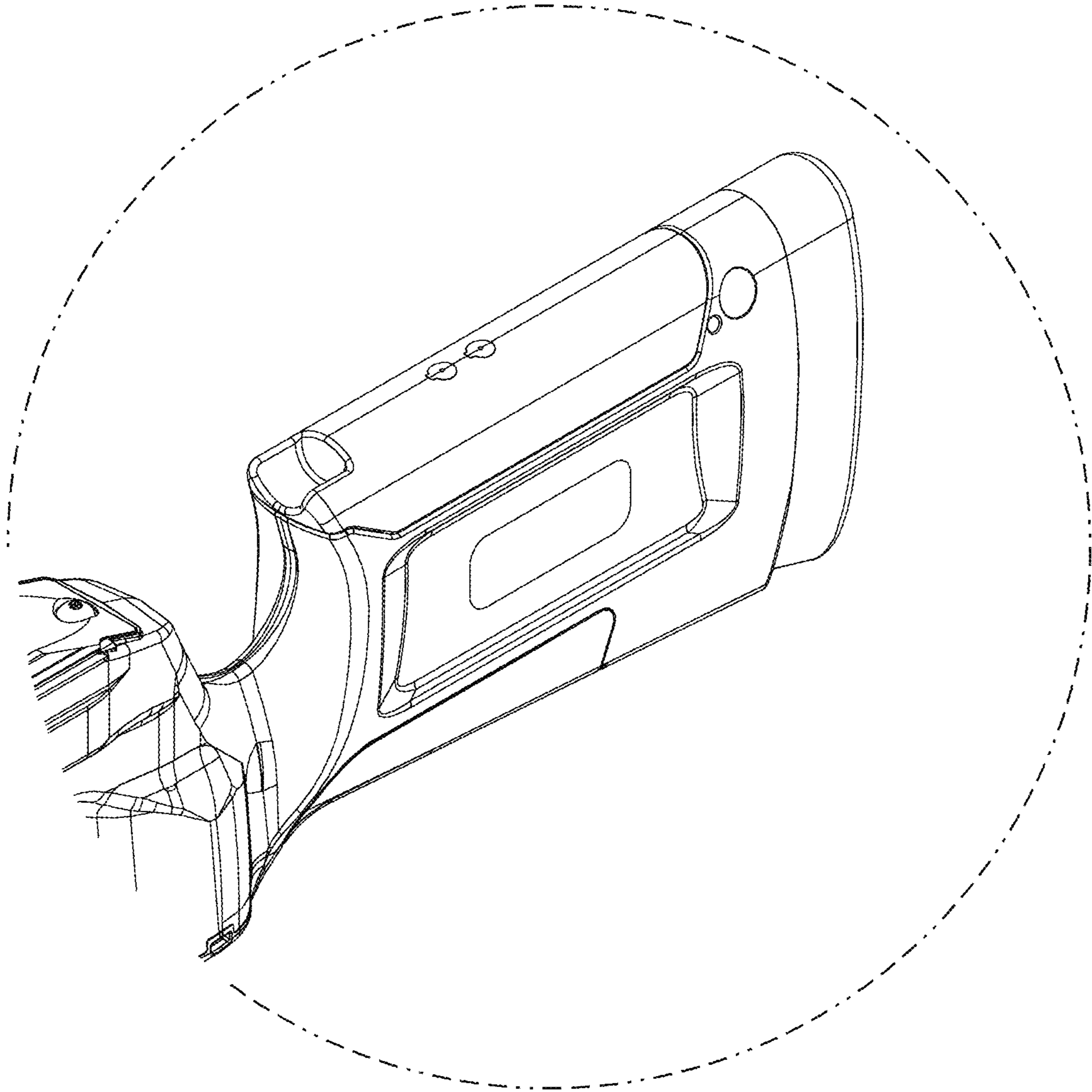


FIG. 12

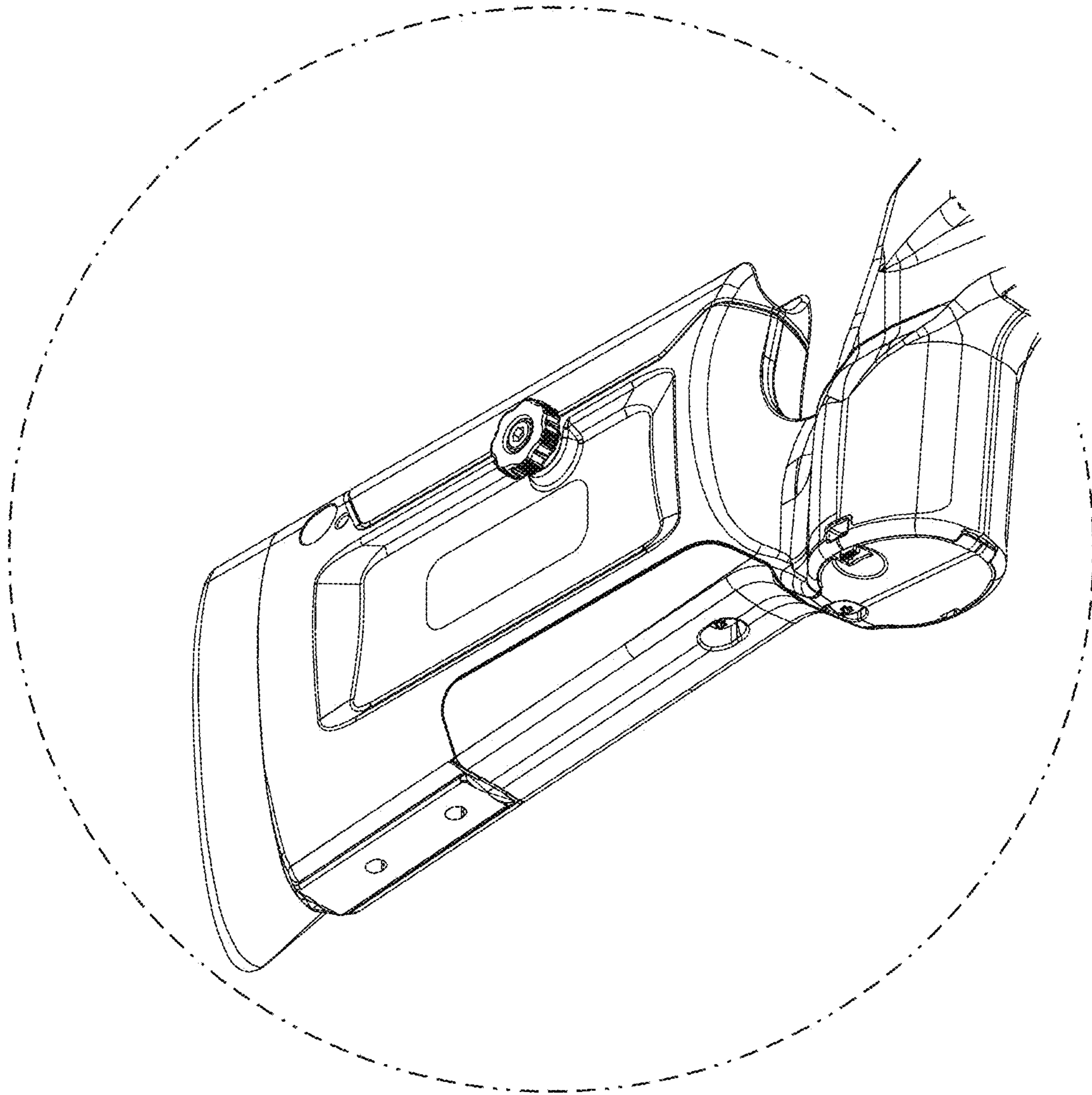


FIG. 13

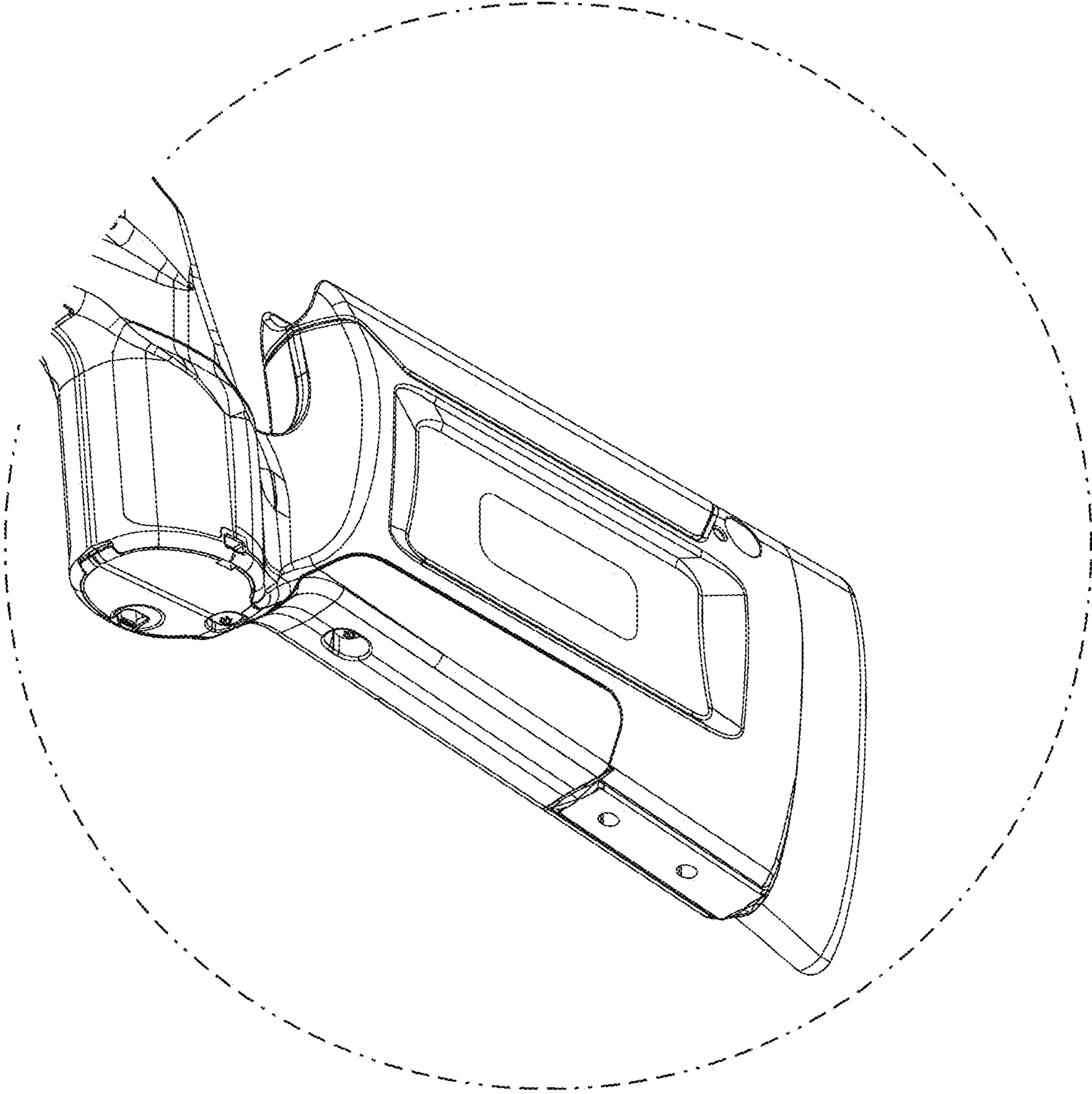


FIG. 14

