



US00D882014S

(12) **United States Design Patent**
Jen

(10) **Patent No.:** **US D882,014 S**
(45) **Date of Patent:** **** Apr. 21, 2020**

- (54) **ARM STABILIZER**
- (71) Applicant: **Yi Huei Jen**, Irvine, CA (US)
- (72) Inventor: **Yi Huei Jen**, Irvine, CA (US)
- (**) Term: **15 Years**
- (21) Appl. No.: **29/632,259**
- (22) Filed: **Jan. 5, 2018**
- (51) **LOC (12) Cl.** **22-01**
- (52) **U.S. Cl.**
USPC **D22/108**
- (58) **Field of Classification Search**
USPC D22/100, 103, 104, 105, 108-109;
D21/572-575, 401, 461, 567, 568;
124/16, 26, 27, 28, 29, 54, 73-77;
222/78, 79; 42/54, 57, 58, 71.01, 72, 73,
42/74, 75.01, 75.03, 90; 446/23, 182,
446/192, 401, 403, 405-407, 473, 475
CPC F41A 21/30; F41A 21/325; F41C 23/02;
F41C 23/04; F41C 23/06; F41C 23/08;
F41C 23/10; F41C 23/12; F41C 23/14;
F41C 23/16; F41C 23/18; F41C 23/20;
F41C 23/22; F41C 7/02; F41C 7/04;
F41C 7/06; F41C 7/11; F41C 7/12; F41C
27/00; F41C 27/06
See application file for complete search history.

- D667,072 S * 9/2012 Kriegleder D22/103
 - D671,183 S * 11/2012 Lucansky D22/103
 - D702,792 S * 4/2014 Burt D22/103
 - D703,276 S * 4/2014 Murayama D21/568
- (Continued)

OTHER PUBLICATIONS

BATFE says new blade stabilizer Sig's Stabilizing Brace, Pennlago.com, Posted by Mike Giaramita, New Shockwave Blade Stabilizer retrieved from shockwavetechnologies.com on Dec. 21, 2014 [online], [site visited Apr. 1, 2019]. <URL: <https://www.pennlago.com/batfe-says-new-blade-stabilizer-%E2%89%A0->> (Y.*

(Continued)

Primary Examiner — T Chase Nelson
Assistant Examiner — Jonathan J. Han
(74) *Attorney, Agent, or Firm* — Kafantaris Law Offices;
Theo Kafantaris

(57) **CLAIM**

I claim the ornamental design for an arm stabilizer, as shown and described.

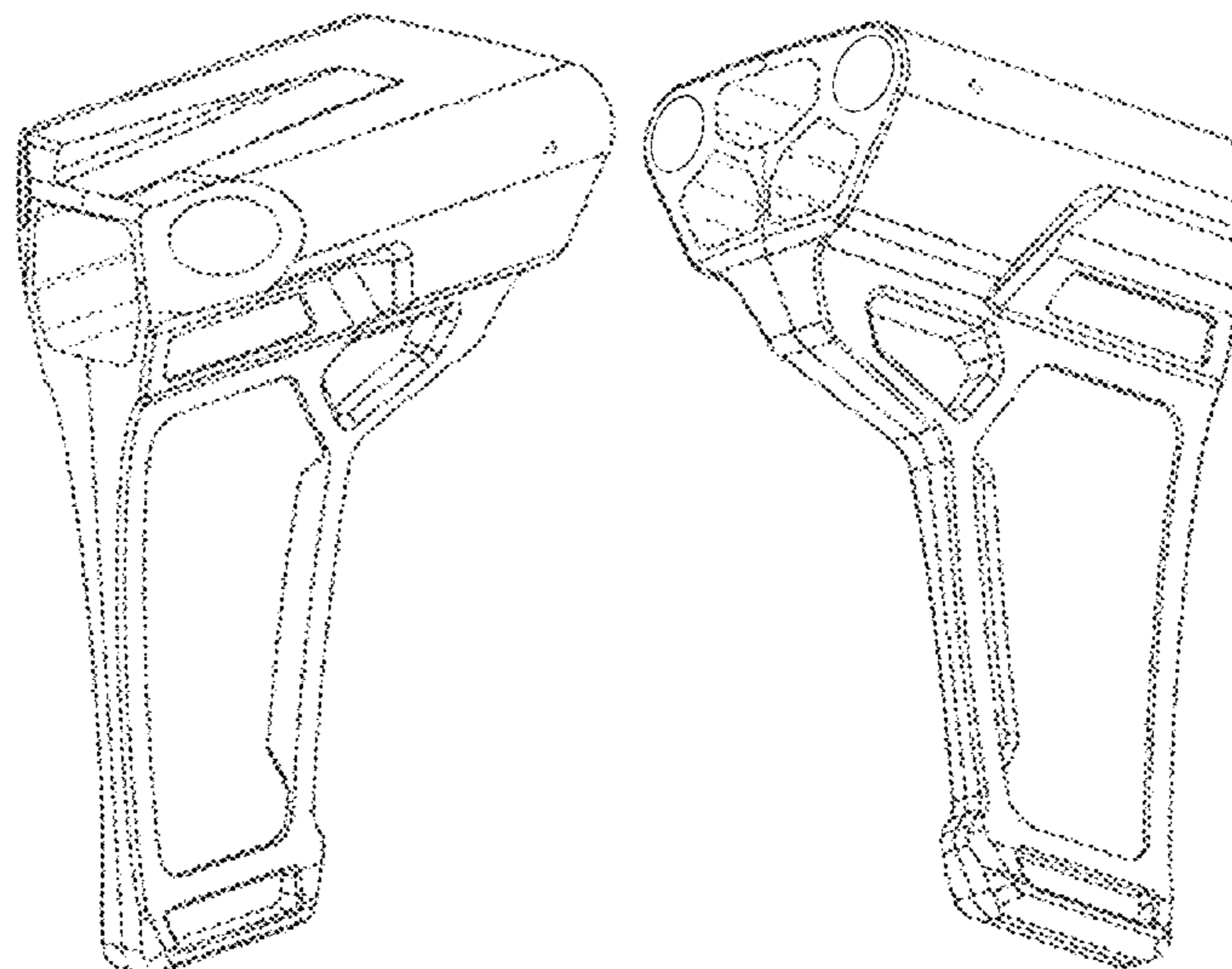
DESCRIPTION

FIG. 1 is an enlarged top view of the arm stabilizer showing my new design;
FIG. 2 is a left side elevational view thereof;
FIG. 3 is a rear elevational view thereof;
FIG. 4 is a rear top perspective view thereof;
FIG. 5 is a rear bottom perspective view thereof;
FIG. 6 is a front elevational view thereof;
FIG. 7 is a front top perspective view thereof;
FIG. 8 is a front bottom perspective view thereof; and,
FIG. 9 is an enlarged bottom view thereof.
The broken lines in the drawings are used to illustrate unclaimed parts of the invention and form no part of the claimed design.

1 Claim, 9 Drawing Sheets

(56) **References Cited**
U.S. PATENT DOCUMENTS

- D512,117 S * 11/2005 Murello D22/100
- D516,660 S * 3/2006 Murello D22/100
- D603,013 S * 10/2009 Fitzpatrick F41C 23/04
D22/108
- D610,218 S * 2/2010 Barrett D22/103
- 7,798,045 B1 * 9/2010 Fitzpatrick F41A 21/481
42/69.02
- D631,122 S * 1/2011 Domagtoy D22/108
- D636,834 S * 4/2011 Mayberry F41C 23/04
D22/108
- D641,824 S * 7/2011 Gridelet D22/103



(56)

References Cited

U.S. PATENT DOCUMENTS

D725,219	S *	3/2015	Hirt	D22/108
9,004,052	B1 *	4/2015	Poirier	F41B 7/006 124/27
D731,023	S *	6/2015	Hirt	D22/108
D736,336	S *	8/2015	Mayberry	D22/108
D745,622	S *	12/2015	Zusman	D22/108
D745,627	S *	12/2015	Kielsmeier	D22/108
D747,427	S *	1/2016	Zusman	D22/108
D764,622	S *	8/2016	Bosco	D22/108
D771,765	S *	11/2016	Ewer	D22/108
D773,005	S *	11/2016	Ding	D22/108
D773,591	S *	12/2016	Morenz	D22/108
D773,592	S *	12/2016	Jones	D22/108
D773,593	S *	12/2016	Hopkins	D22/108
D780,279	S *	2/2017	Bosco	D22/108
9,664,478	B2 *	5/2017	Robinson	F41C 23/04
D795,984	S *	8/2017	Frederickson	D22/108
D795,985	S *	8/2017	Frederickson	D22/108
D808,486	S *	1/2018	Kafka	D22/103
D809,621	S *	2/2018	Lam	D22/108
D818,074	S *	5/2018	Ding	D22/108

D819,765	S *	6/2018	Kafka	D22/103
D828,476	S *	9/2018	Smith	D22/108
D832,387	S *	10/2018	Robinson	D22/108

OTHER PUBLICATIONS

4 Pistol Stabilizing Braces for Every American Shooter, Tactical-Life.com, Nov. 7, 2018, by Will Dabbs, MD, [online], [site visited Apr. 1, 2019]. <URL: <https://www.tactical-life.com/gear/accessories/pistol-stabilizing-braces-america/>> (Year: 2018).*

Strike Industries MPX/MCX Stabilizer, RainierArms.com, [online], [site visited Apr. 1, 2019]. <URL: <https://www.rainierarms.com/strike-industries-mpx-mcx-stabilizer/>> (Year: 2019).*

SB Tactical SBPDW AR15 Pistol Brace—3 Position, DSGarms.com, [online], [site visited Apr. 1, 2019]. <URL: <https://dsgarms.com/sbt-pdw-01-sb>> (Year: 2019).*

KAK Blade Pistol Arm Stabilizer Brace BAFT Approved—Grey, DeltaTeamTactical.com, [online], [site visited Apr. 1, 2019]. <URL: https://www.deltateamtactical.com/KAK-Blade-Pistol-Arm-Stabilizer-Brace-BATF-Approved--Grey_p_7715.html> (Year: 2019).*

* cited by examiner

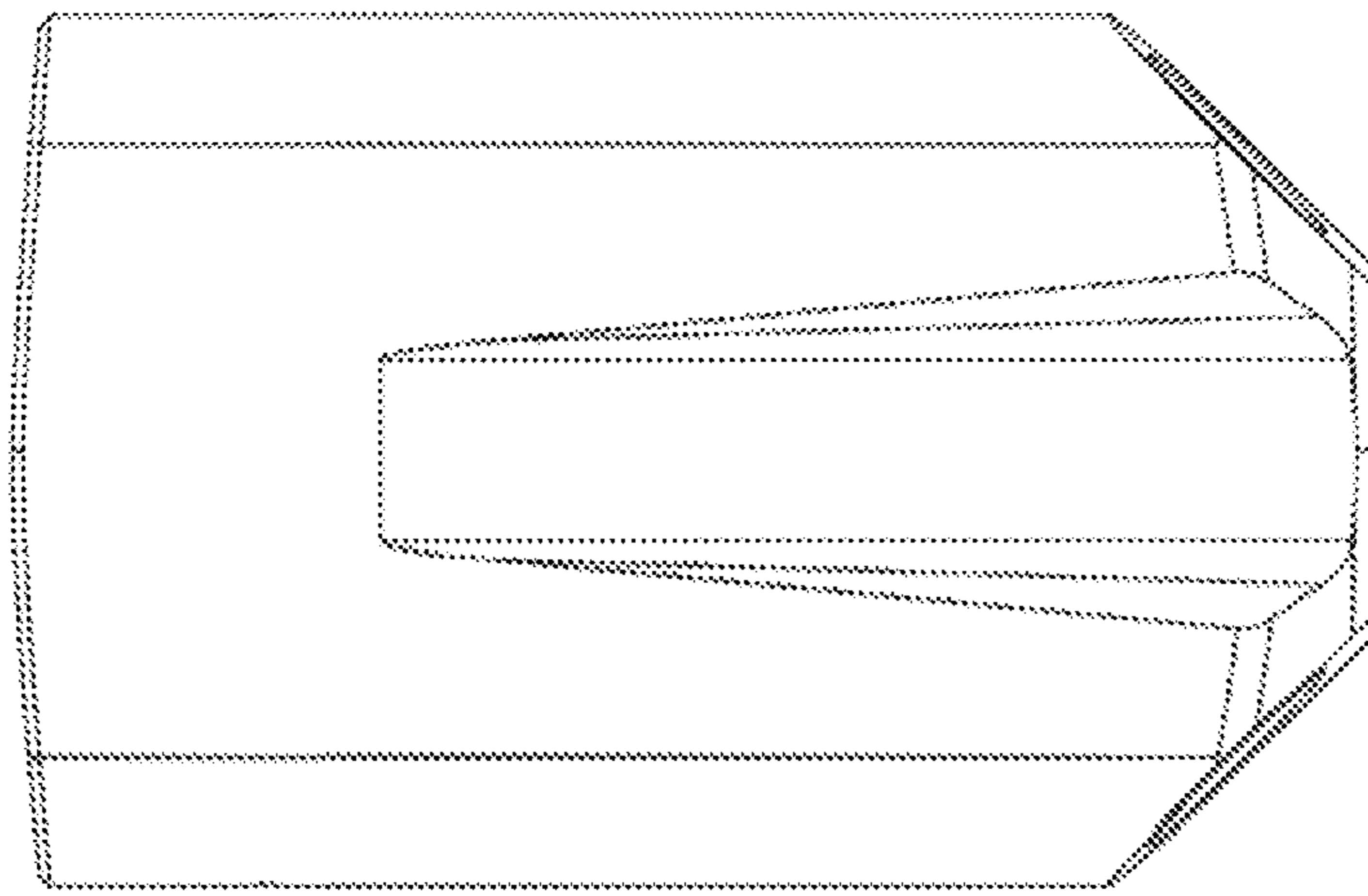


FIG 1

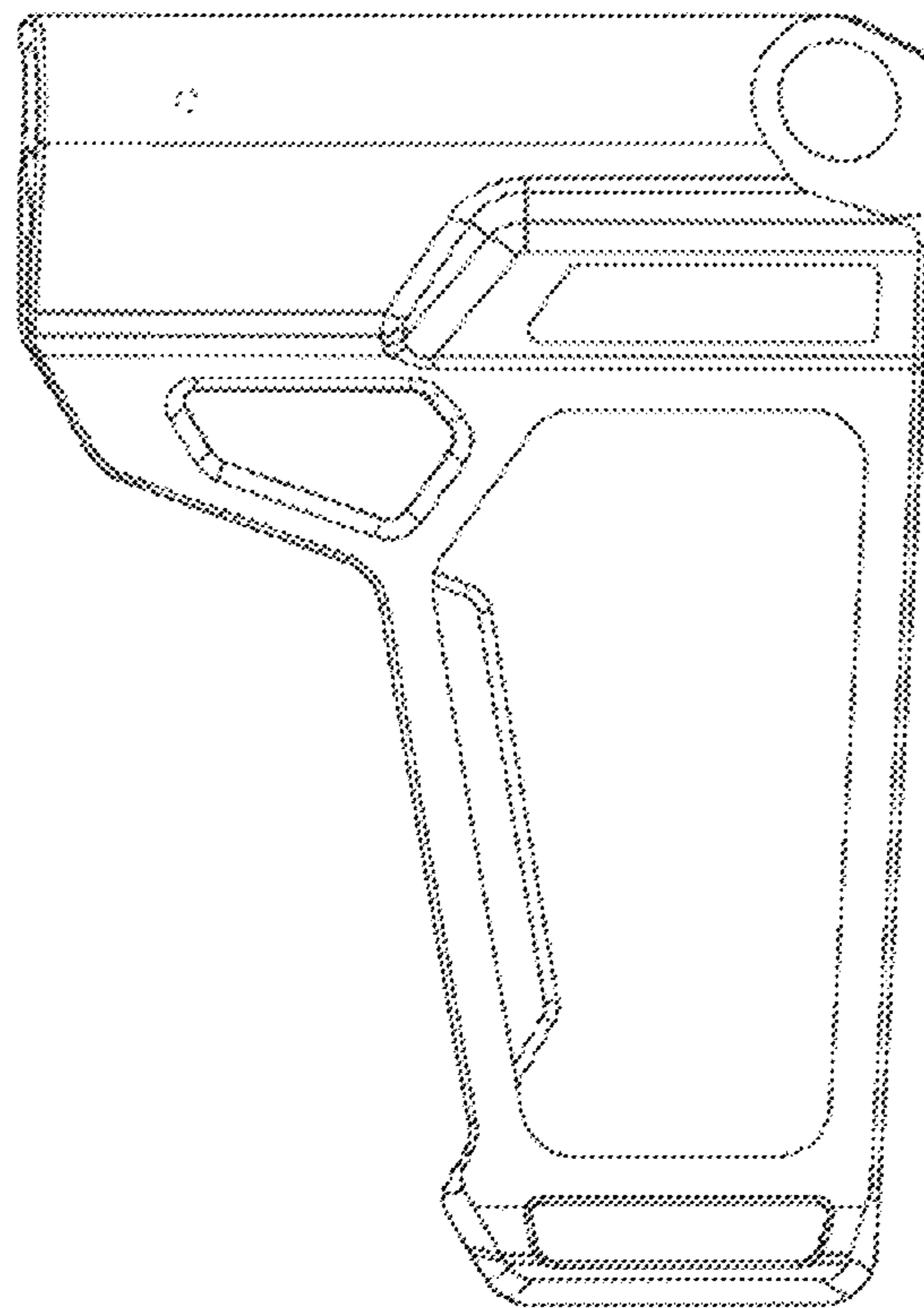


FIG 2

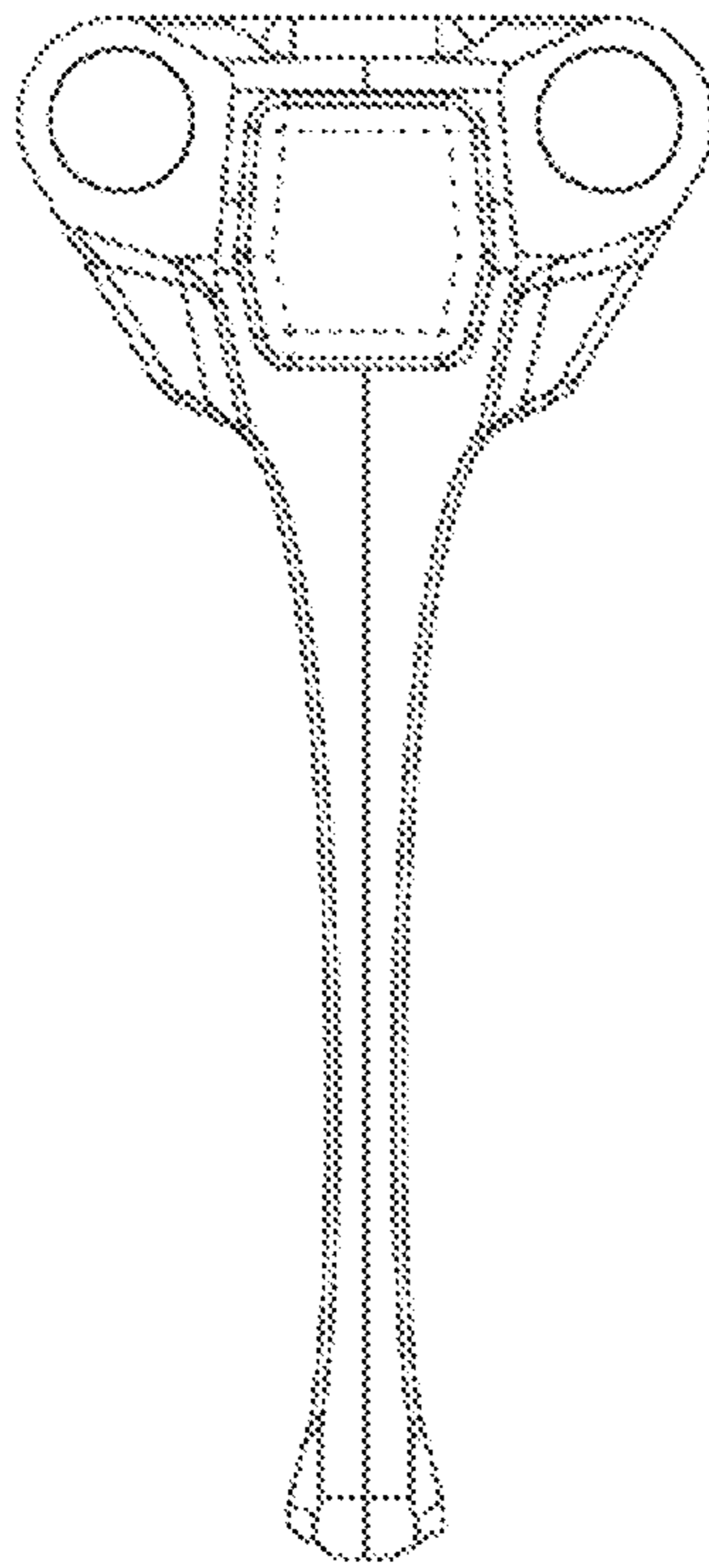


FIG 3

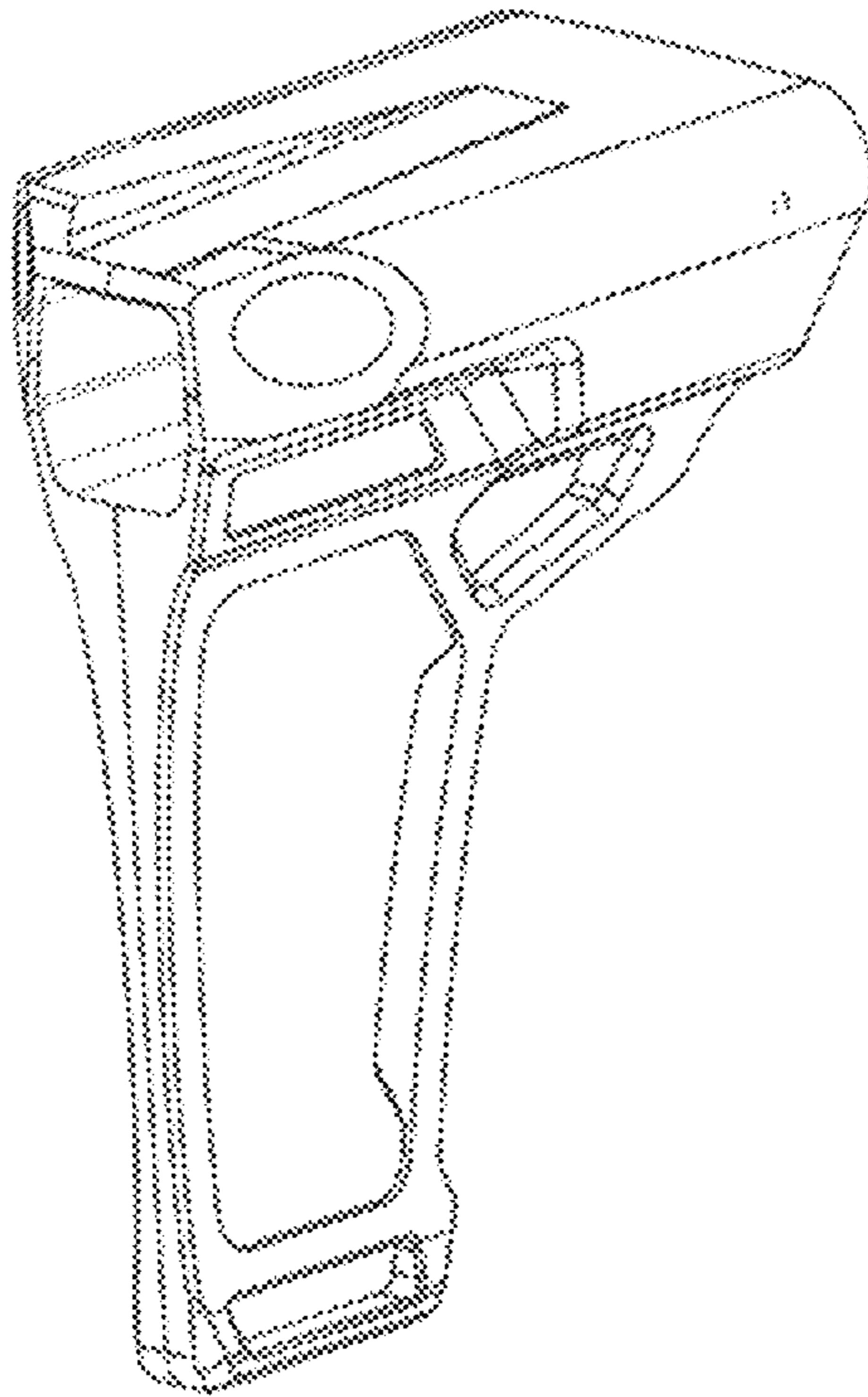


FIG 4

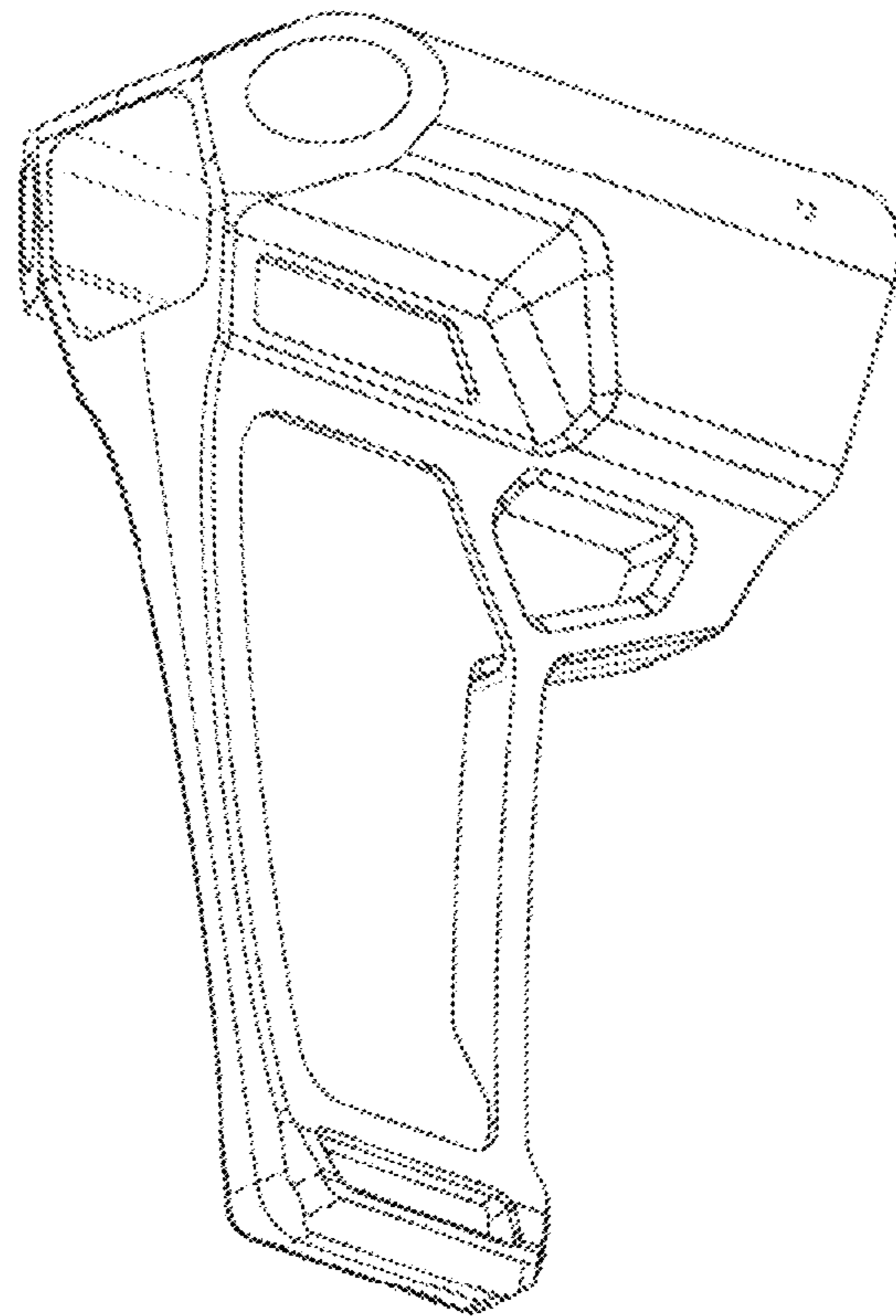


FIG 5

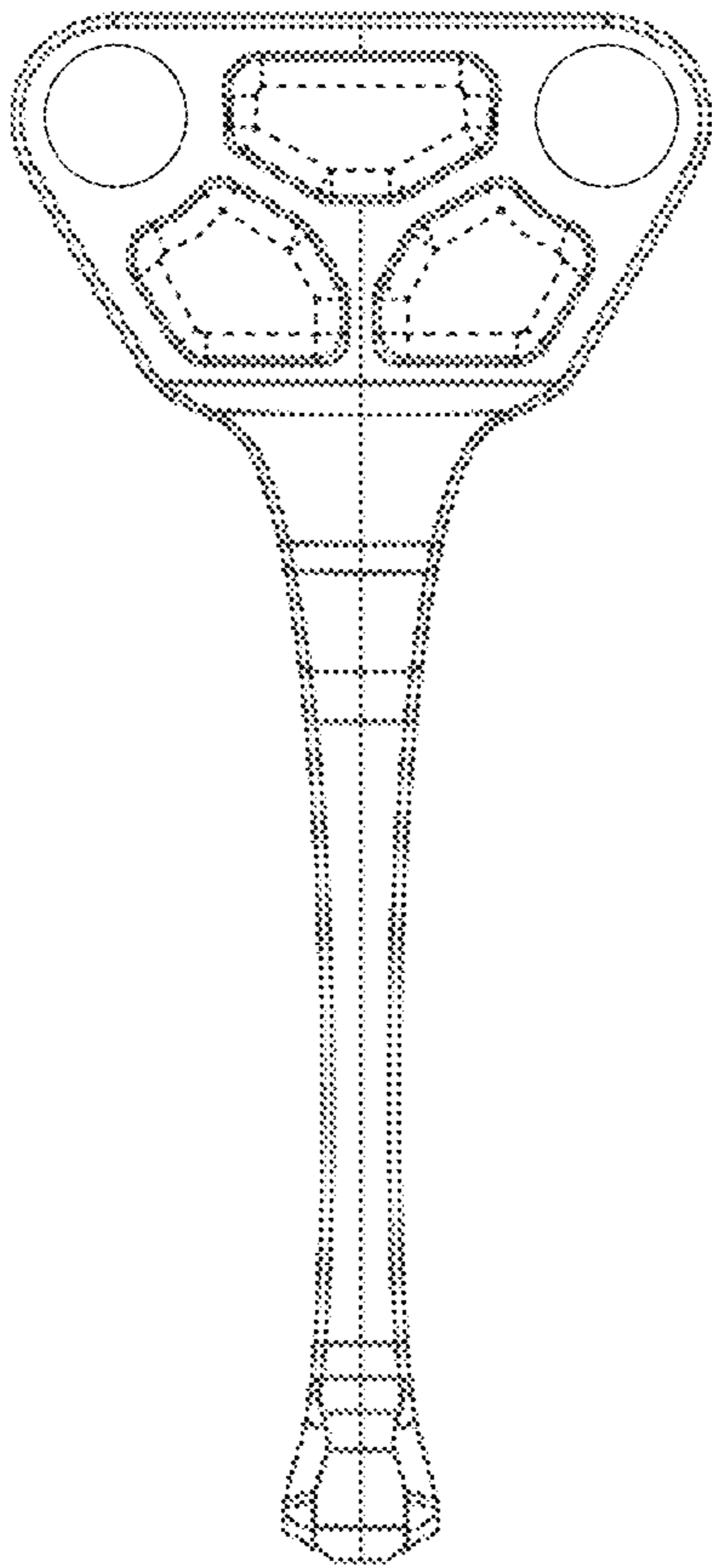


FIG 6

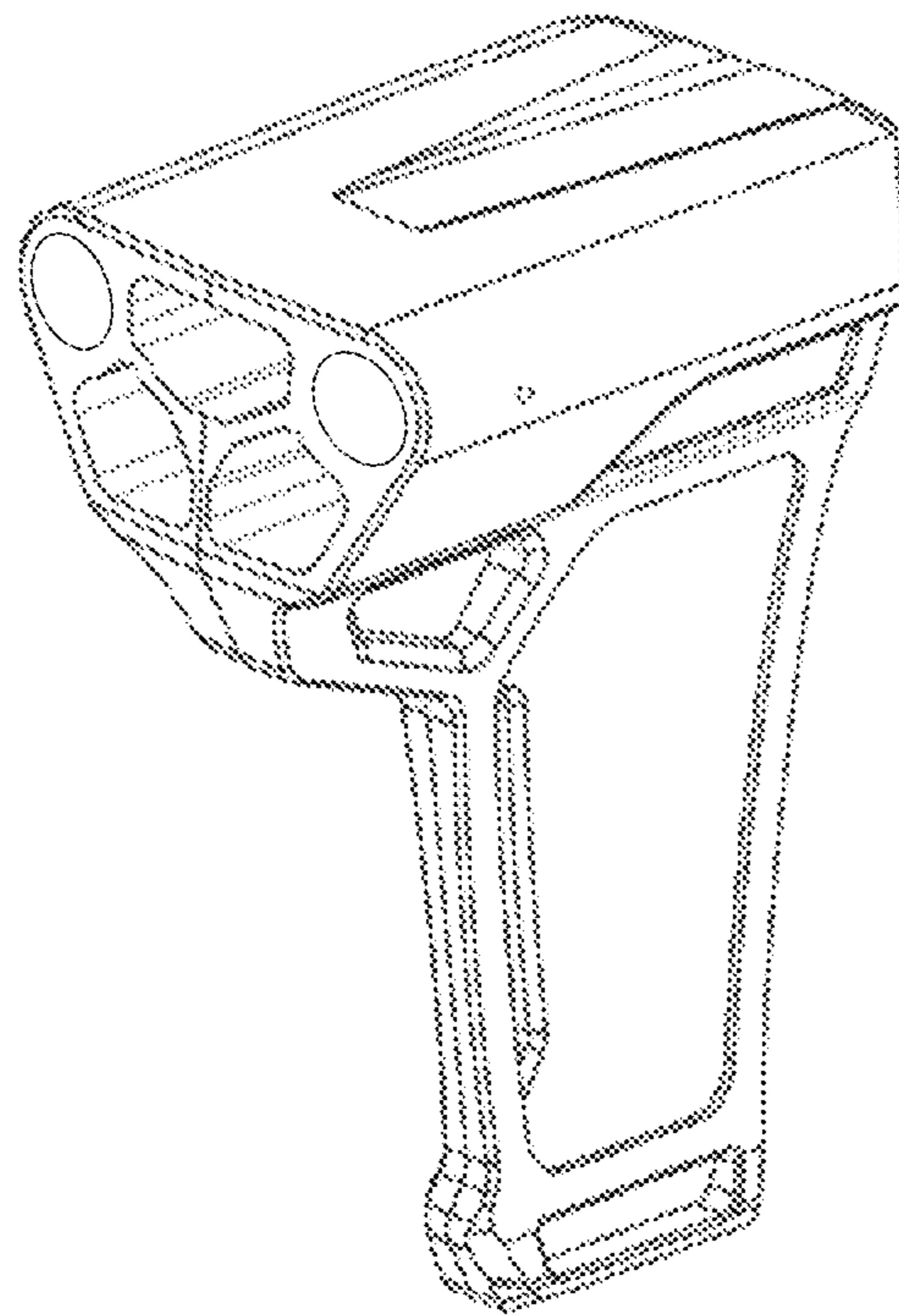


FIG 7

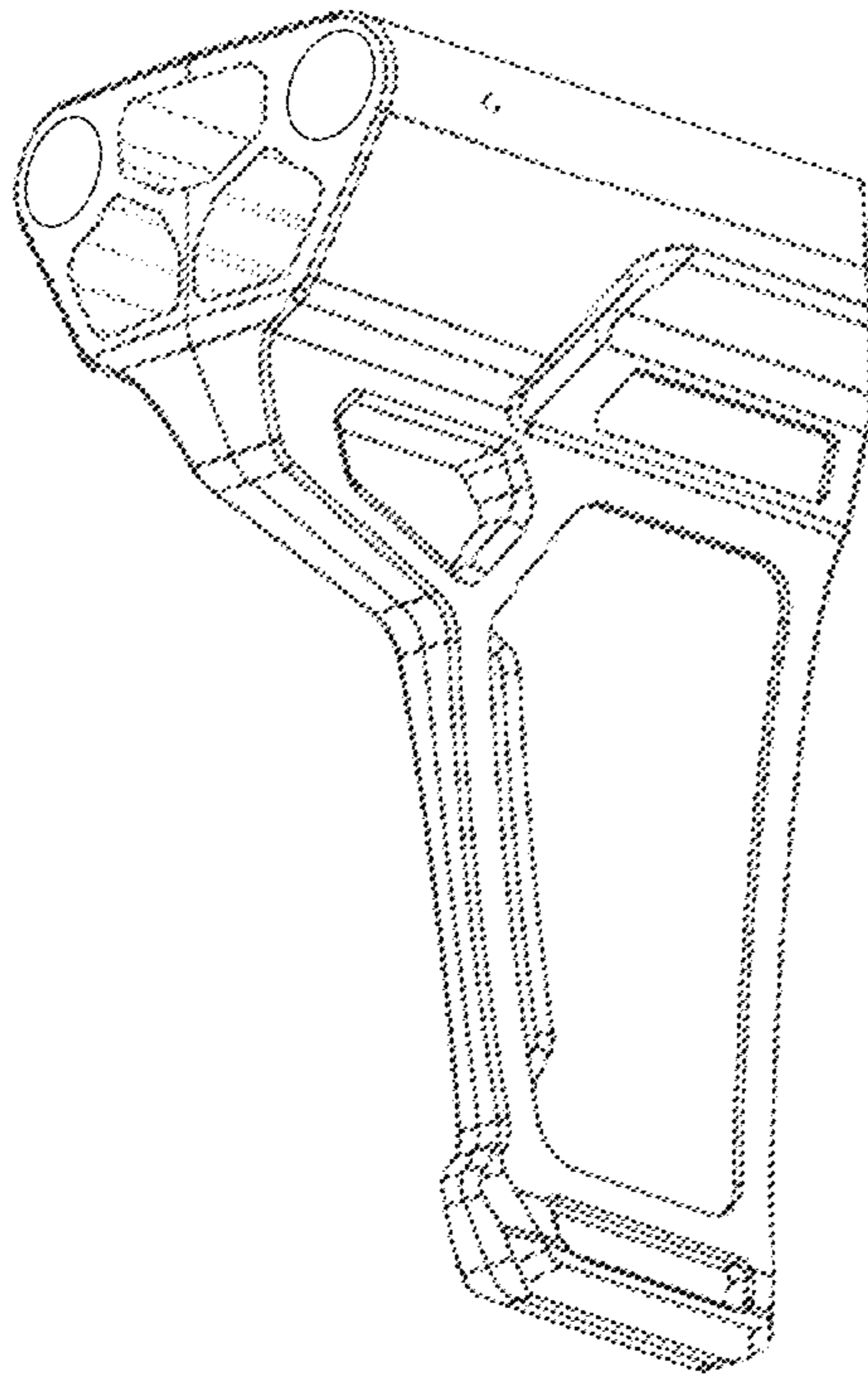


FIG 8

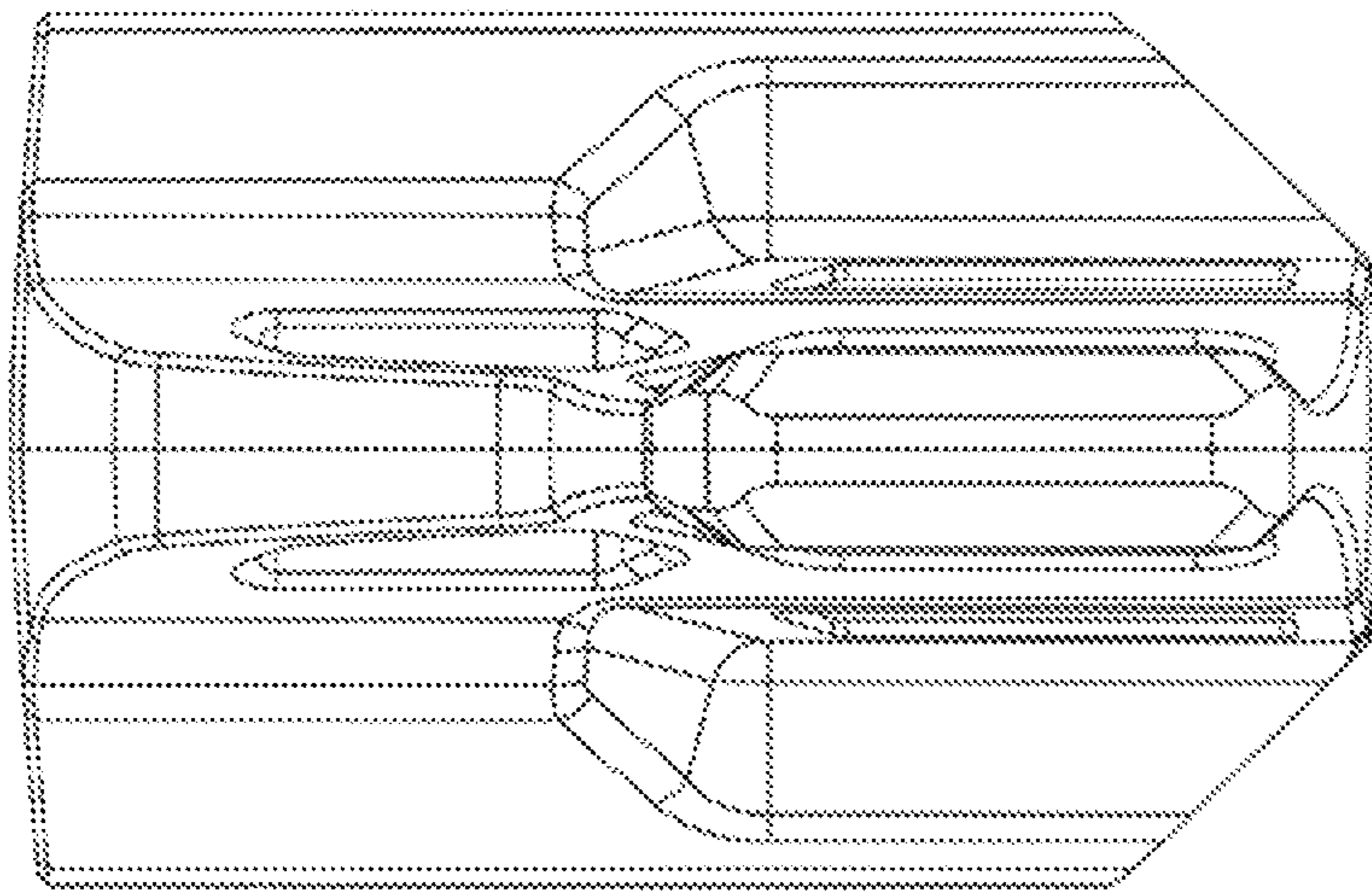


FIG 9