



US00D882013S

(12) **United States Design Patent**  
**Rozier**

(10) **Patent No.:** **US D882,013 S**  
(45) **Date of Patent:** **\*\* Apr. 21, 2020**

- (54) **TOY PLAYSET**
- (71) Applicant: **Timothy James Rozier**, New Territories (HK)
- (72) Inventor: **Timothy James Rozier**, New Territories (HK)
- (73) Assignee: **Shift Innovations Limited**, Kowloon (HK)
- (\*\*) Term: **15 Years**
- (21) Appl. No.: **29/657,837**
- (22) Filed: **Jul. 25, 2018**
- (30) **Foreign Application Priority Data**  
Jan. 29, 2018 (HK) ..... 1800182.4
- (51) **LOC (12) Cl.** ..... **21-03**
- (52) **U.S. Cl.**  
USPC ..... **D21/817**
- (58) **Field of Classification Search**  
USPC ..... D21/811, 814, 817-821, 322; D34/32  
CPC ..... A63G 21/00-21/22; A63C 19/10  
See application file for complete search history.
- (56) **References Cited**  
**U.S. PATENT DOCUMENTS**  
D246,638 S \* 12/1977 Hegedus ..... D34/32  
4,129,916 A \* 12/1978 Schlesinger ..... A63C 19/10  
14/69.5  
D257,874 S \* 1/1981 Sheehan ..... D21/817  
D305,676 S \* 1/1990 Ngai ..... D21/565  
5,165,690 A \* 11/1992 Kelley, Jr. .... A63B 63/007  
472/88  
D353,930 S \* 12/1994 Johnson ..... D21/687  
D390,621 S \* 2/1998 Cosentino ..... D21/817  
D414,526 S \* 9/1999 Kashani ..... D21/318  
5,946,756 A \* 9/1999 Mapp ..... A63C 19/10  
14/69.5

- 6,042,480 A \* 3/2000 Labelson ..... A63C 19/10  
14/69.5
- D483,428 S \* 12/2003 Frey ..... D21/817
- 6,654,977 B1 \* 12/2003 Chin ..... A63C 19/10  
14/69.5
- 6,672,968 B2 \* 1/2004 Montolio ..... A63C 19/10  
14/69.5

(Continued)

*Primary Examiner* — Mitchell I. Siegel

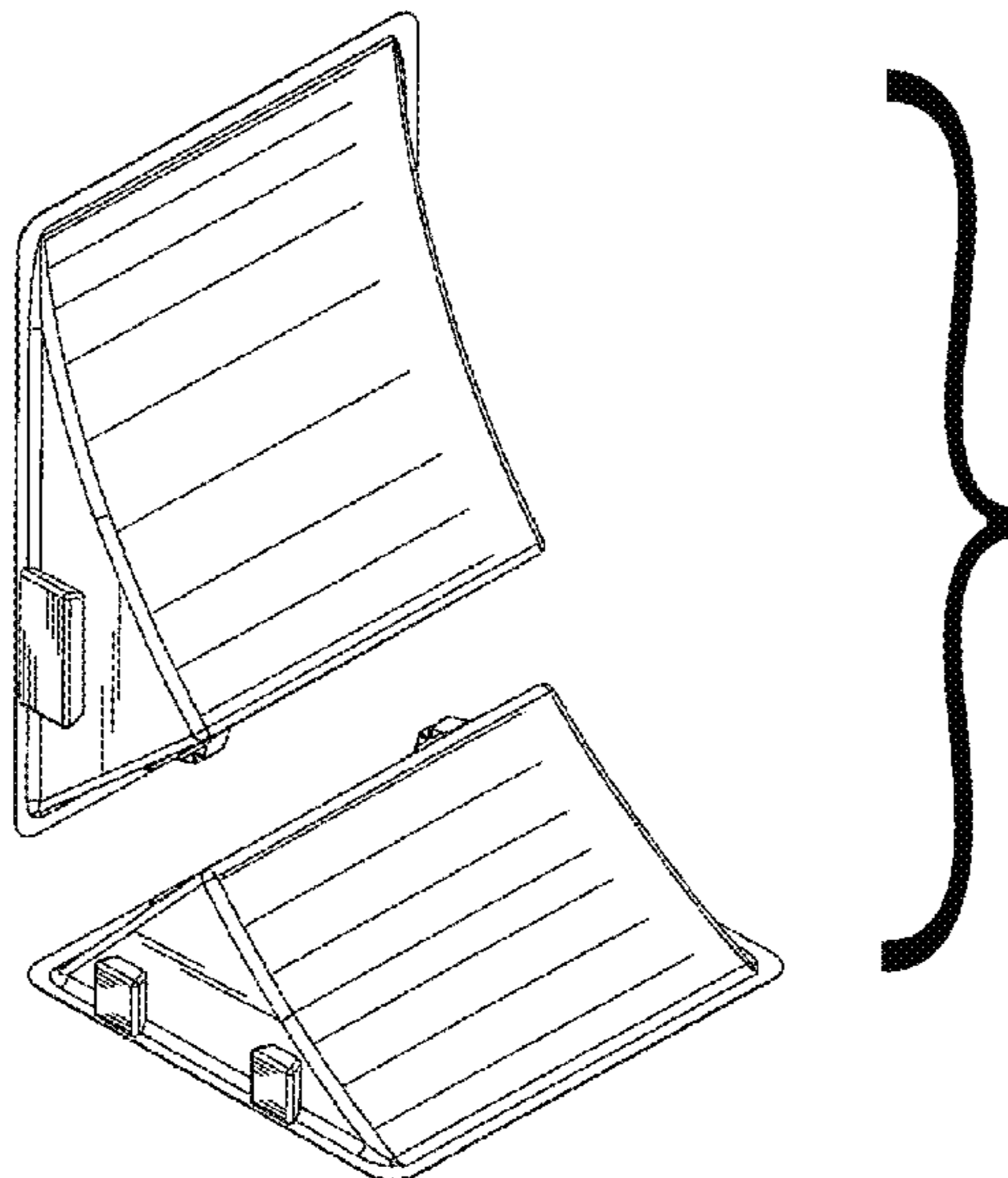
(57) **CLAIM**

The ornamental design for a toy playset, as shown.

**DESCRIPTION**

FIG. 1 is an exploded front perspective view of the toy playset showing my new design;  
 FIG. 2 is an exploded rear perspective view thereof;  
 FIG. 3 is a front perspective view of the toy playset in an assembled condition;  
 FIG. 4 is a rear perspective view of FIG. 3;  
 FIG. 5 is a front elevational view of the lower component of the toy playset; shown separately for clarity of illustration;  
 FIG. 6 is a rear elevational view of FIG. 5;  
 FIG. 7 is a left side elevational view of FIG. 5;  
 FIG. 8 is a right side elevational view of FIG. 5;  
 FIG. 9 is a top plan view of FIG. 5;  
 FIG. 10 is a rear perspective view of FIG. 5;  
 FIG. 11 is a front perspective view of FIG. 5;  
 FIG. 12 is a front elevational view of the upper component of the toy playset; shown separately for clarity of illustration;  
 FIG. 13 is a rear elevational view of FIG. 12;  
 FIG. 14 is a left side elevational view of FIG. 12;  
 FIG. 15 is a right side elevational view of FIG. 12;  
 FIG. 16 is a top plan view of FIG. 12;  
 FIG. 17 is a rear perspective view of FIG. 12; and,  
 FIG. 18 is a front perspective view of FIG. 12.

**1 Claim, 10 Drawing Sheets**



(56)

**References Cited**

U.S. PATENT DOCUMENTS

6,676,529 B2 \* 1/2004 Pernal ..... A63C 19/10  
 472/89  
 6,695,707 B1 \* 2/2004 Fernandez ..... A63C 19/10  
 14/69.5  
 D489,786 S \* 5/2004 Pratt ..... D21/817  
 D491,995 S \* 6/2004 Frey ..... D21/817  
 6,776,685 B2 \* 8/2004 Reisher ..... A63H 18/00  
 446/444  
 6,782,577 B2 \* 8/2004 Rieber ..... A63C 19/10  
 14/71.1  
 D495,770 S \* 9/2004 Hickey ..... A63C 19/10  
 D21/817  
 D500,113 S \* 12/2004 Frey ..... D21/817  
 D500,829 S \* 1/2005 Hadley ..... D21/817  
 7,104,895 B2 \* 9/2006 Hickey ..... A63C 19/10  
 14/69.5  
 D542,876 S \* 5/2007 Laurienzo ..... D21/817  
 D545,926 S \* 7/2007 Laurienzo ..... D21/565  
 D711,062 S \* 8/2014 Chen ..... D34/32  
 D825,015 S \* 8/2018 Rademacher ..... D21/803  
 D831,146 S \* 10/2018 Lindberg ..... D21/814  
 10,202,725 B1 \* 2/2019 Chin ..... E01C 13/003

\* cited by examiner

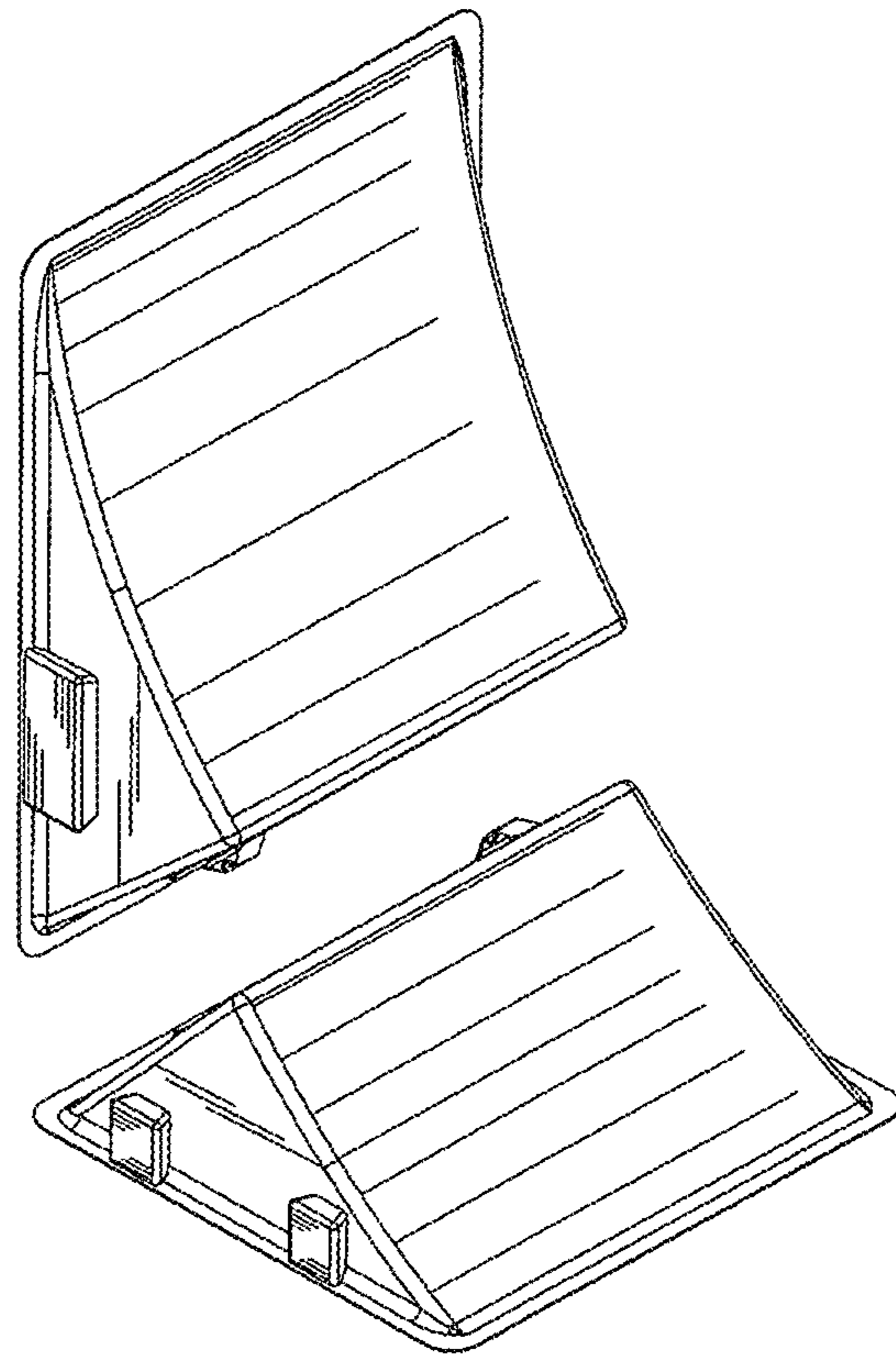


FIG. 1

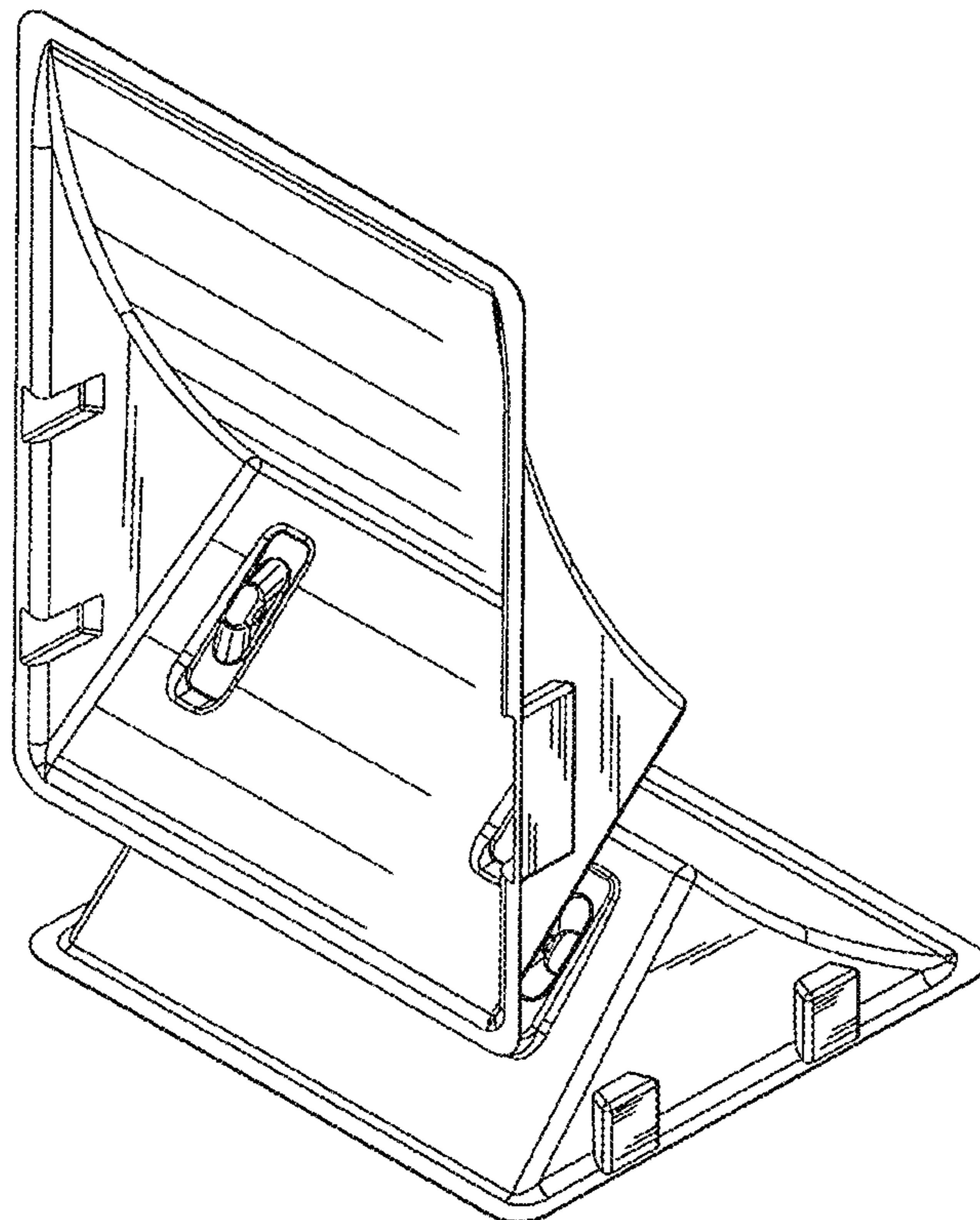


FIG. 2



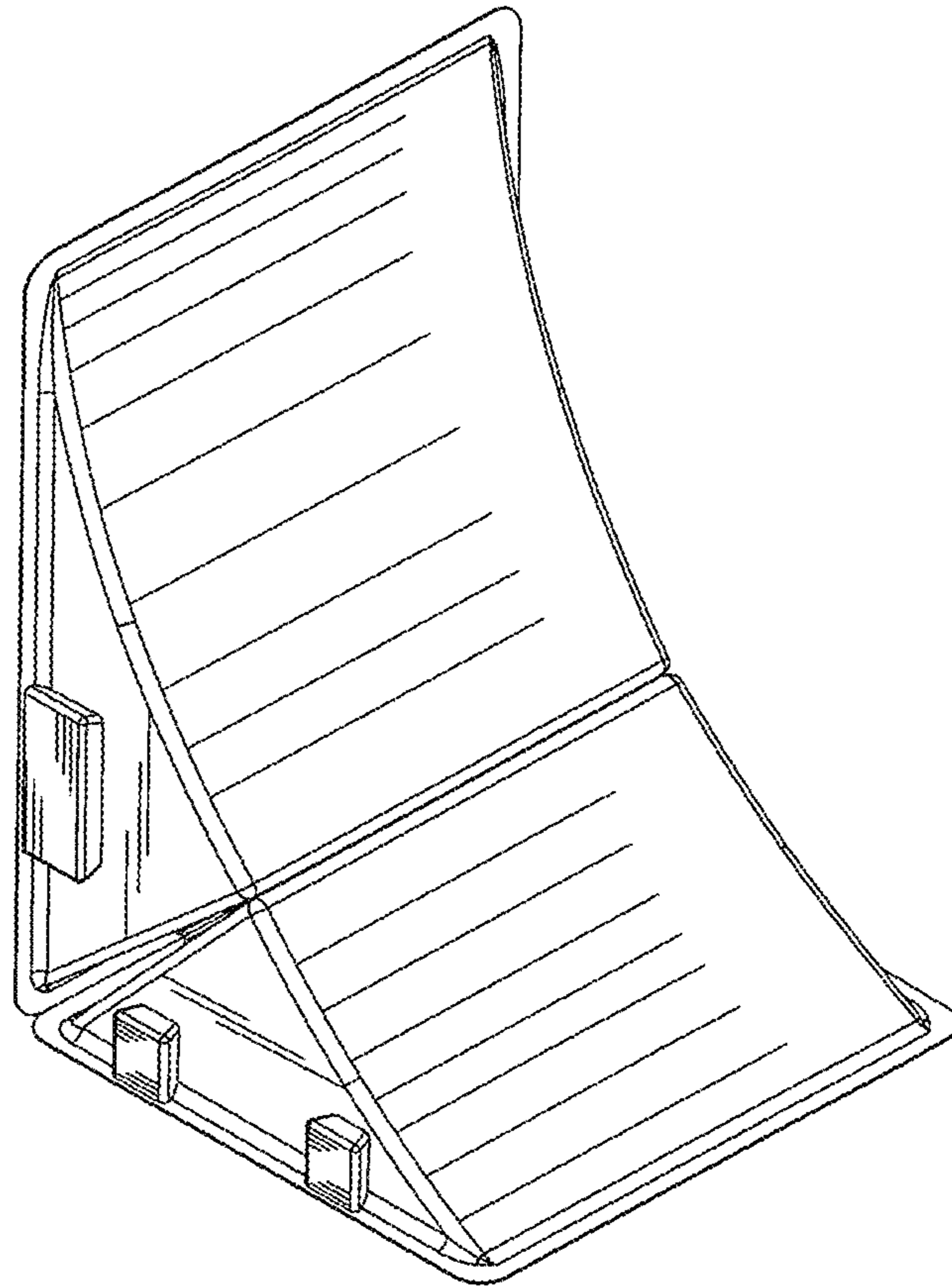


FIG. 3

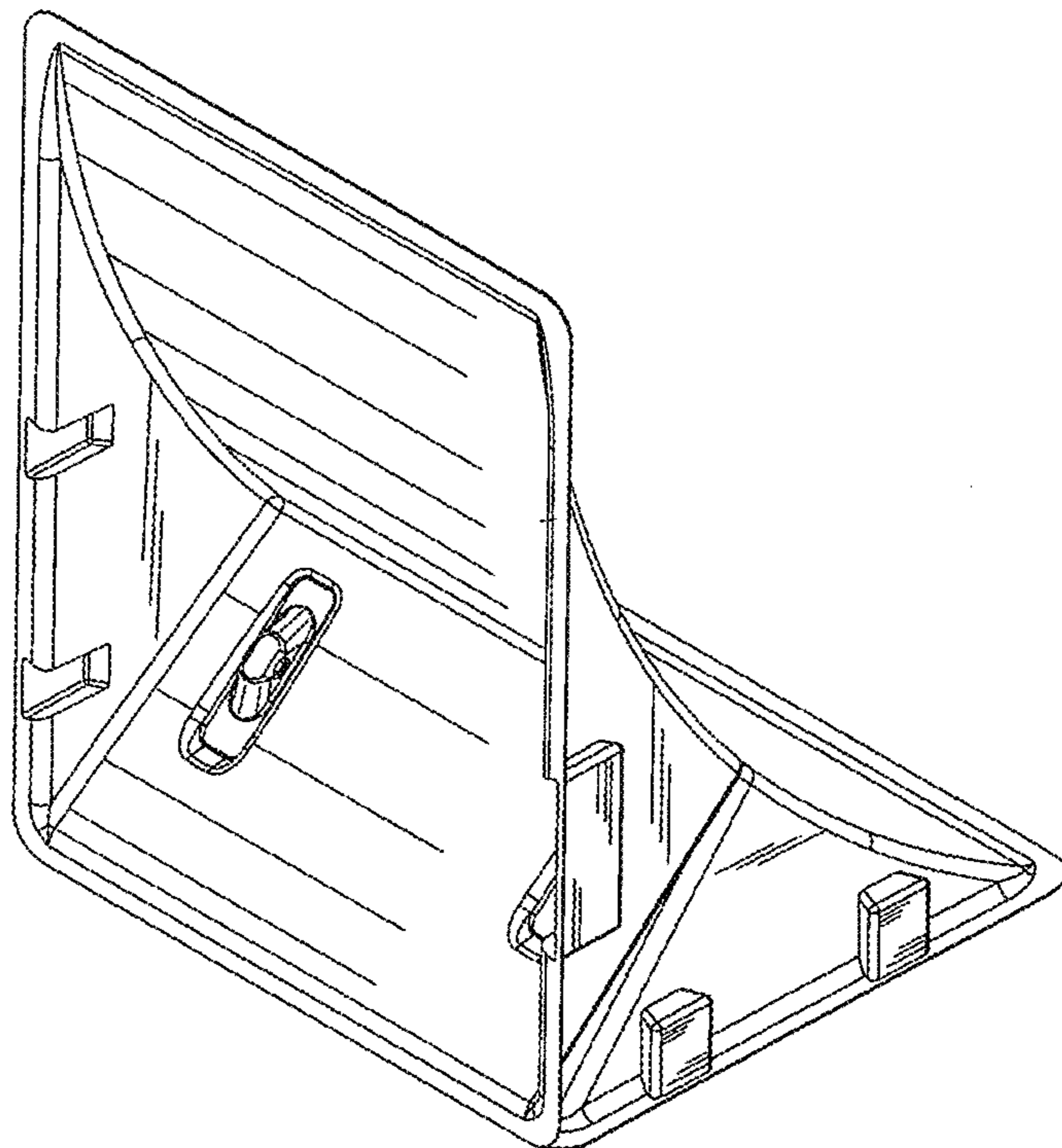


FIG. 4

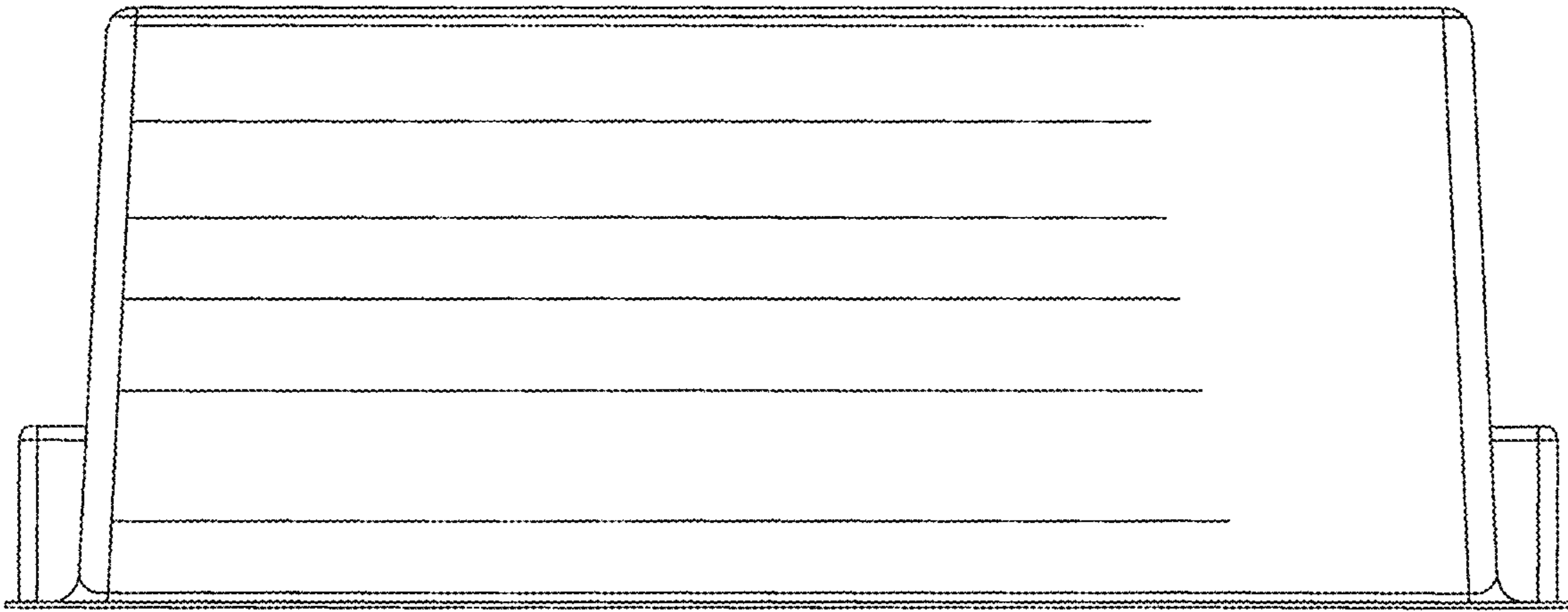


FIG. 5

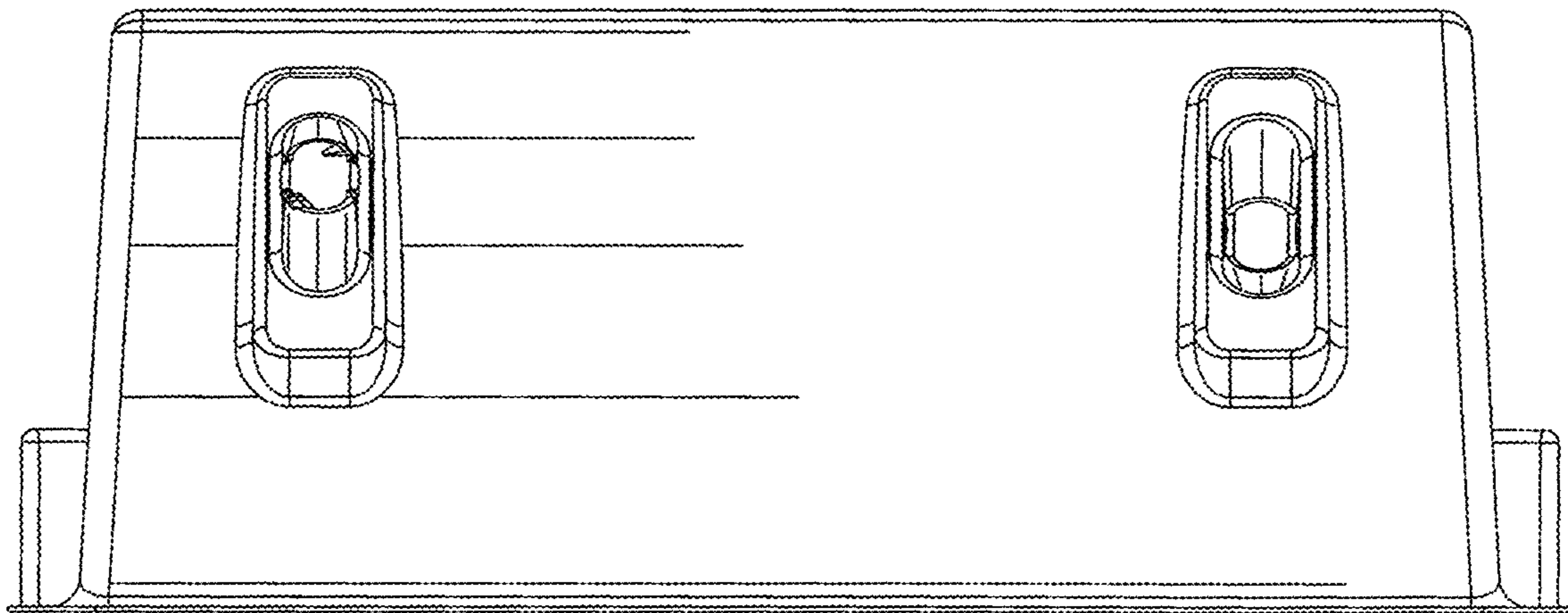


FIG. 6

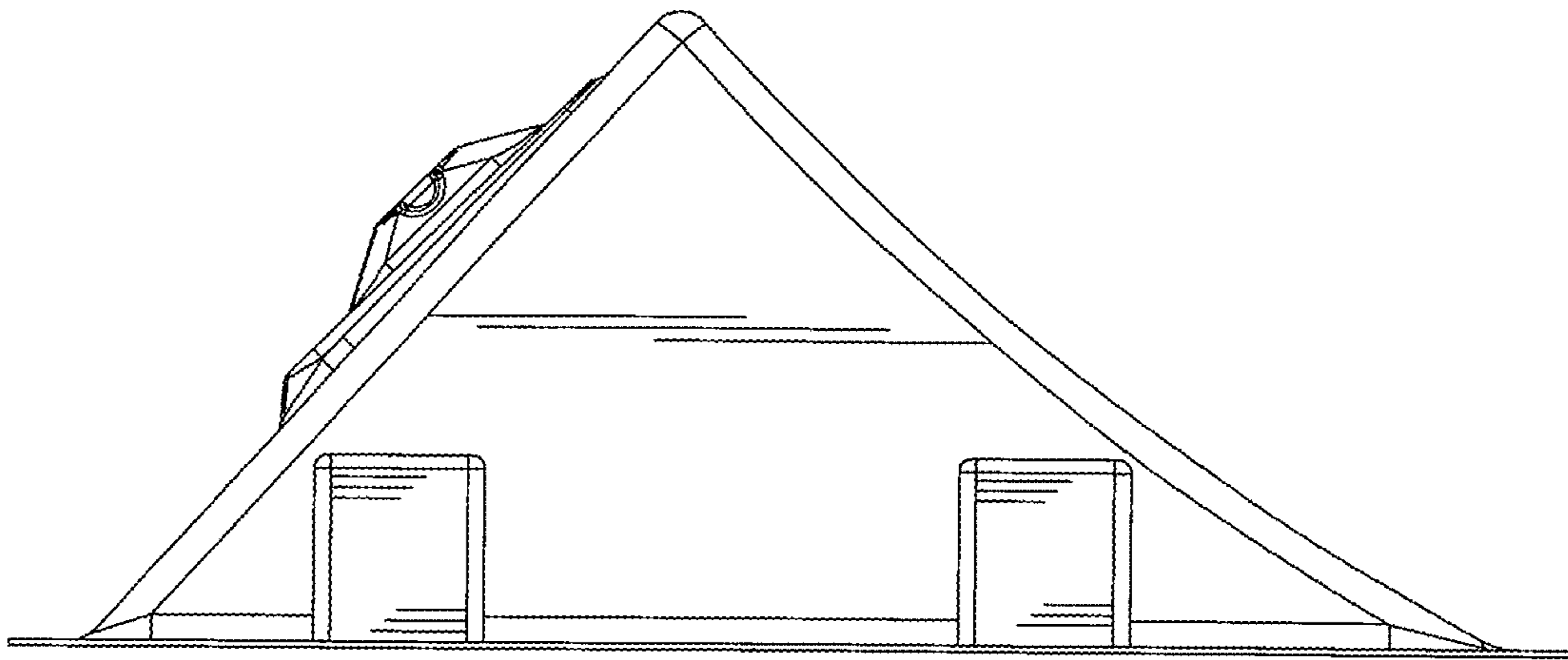


FIG. 7

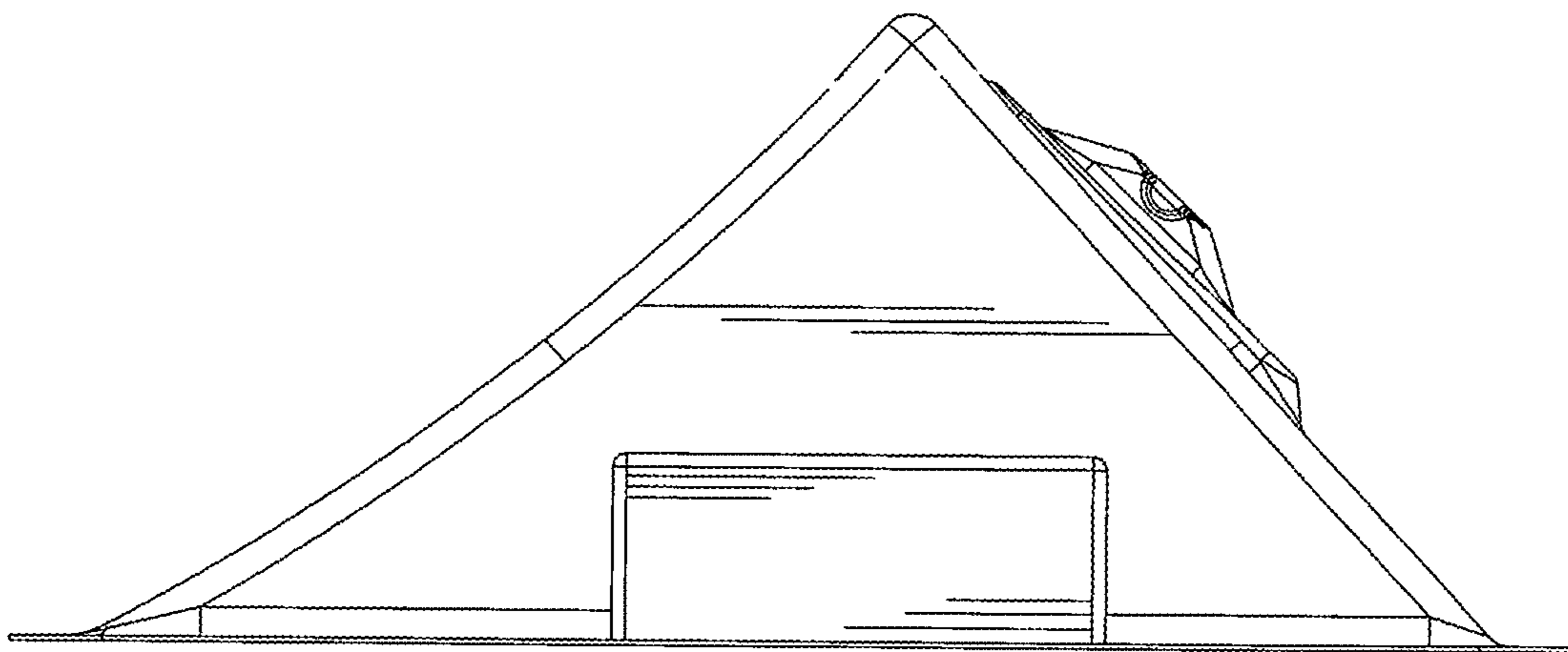


FIG. 8

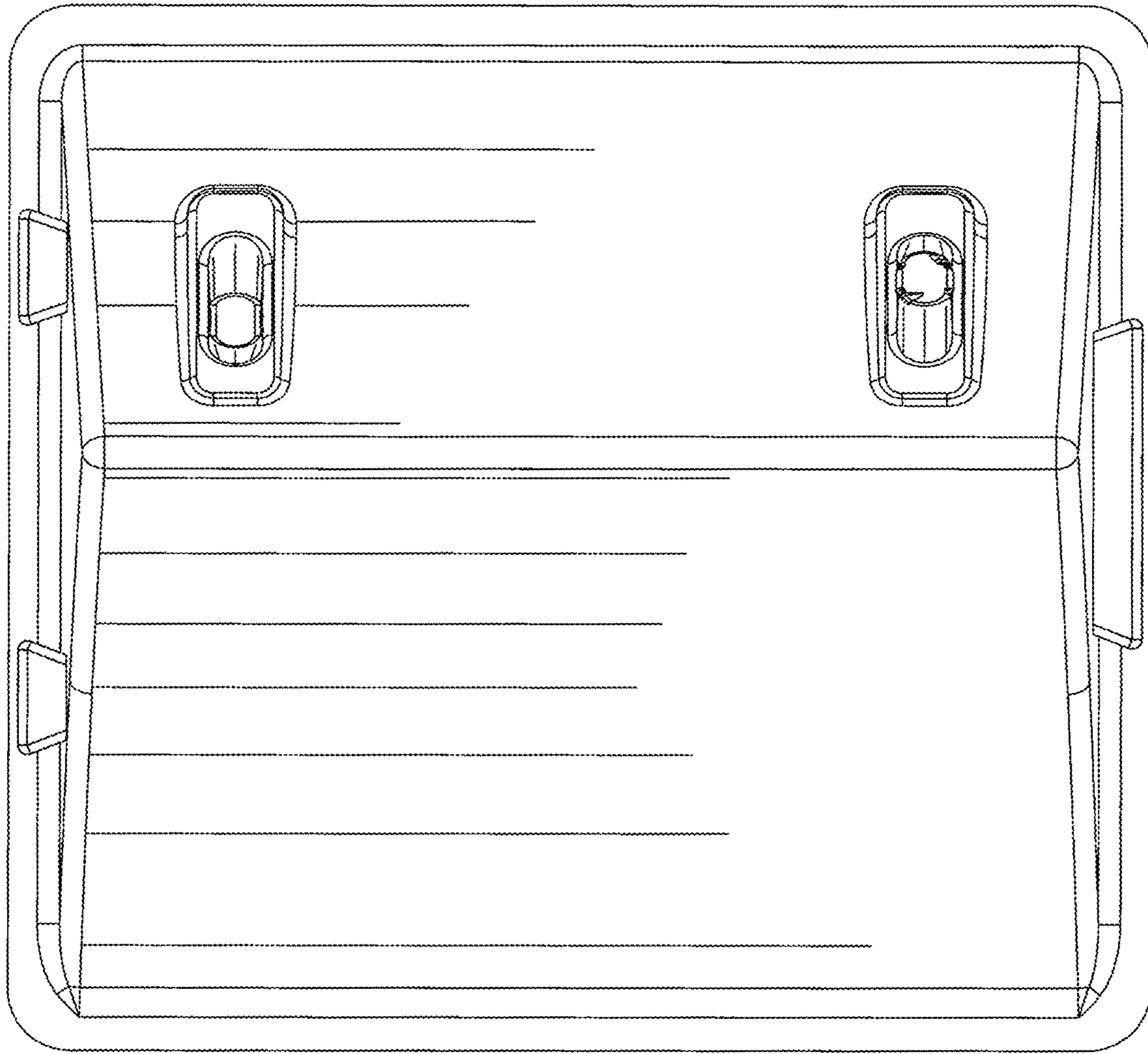


FIG. 9



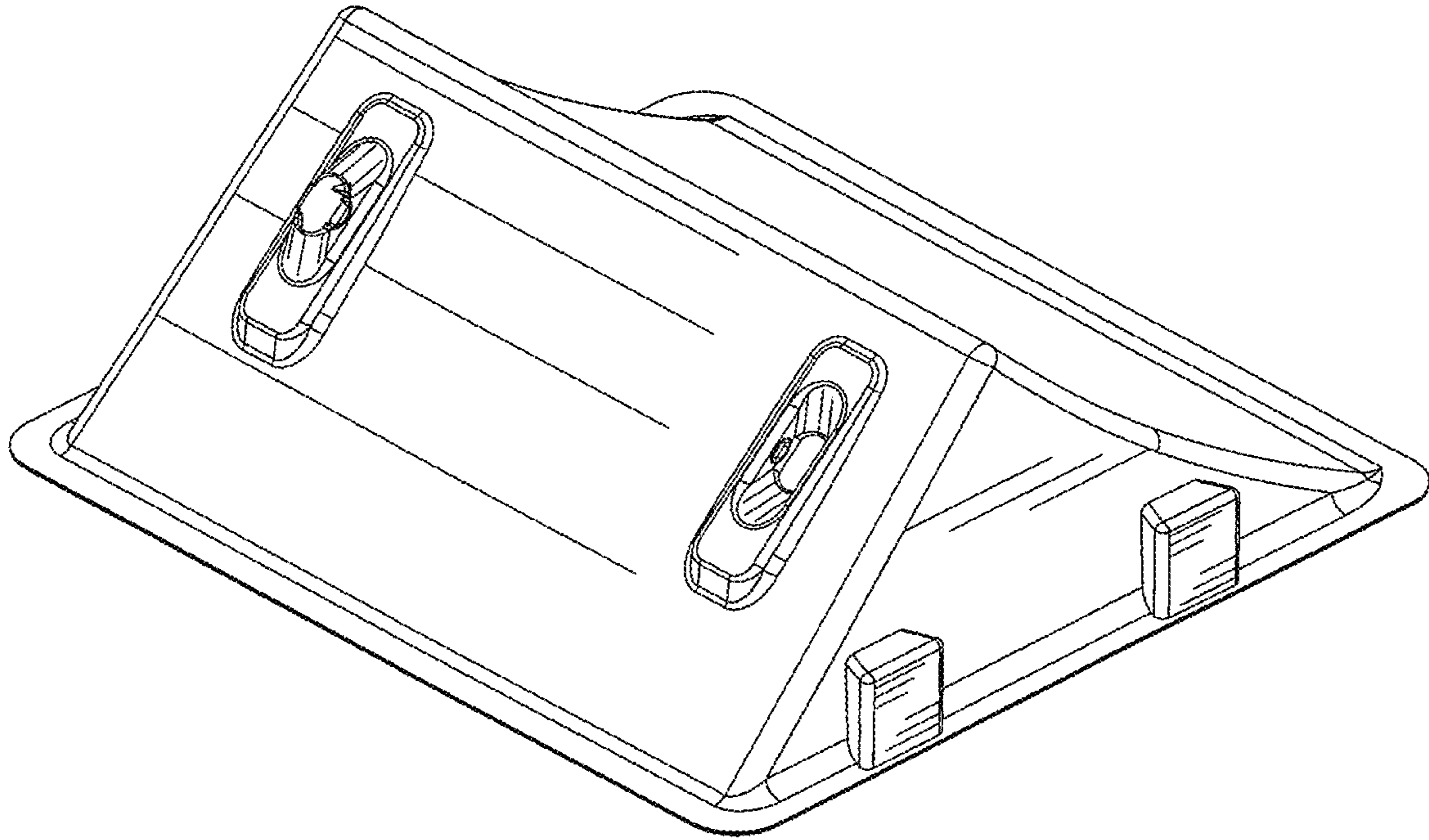


FIG. 10

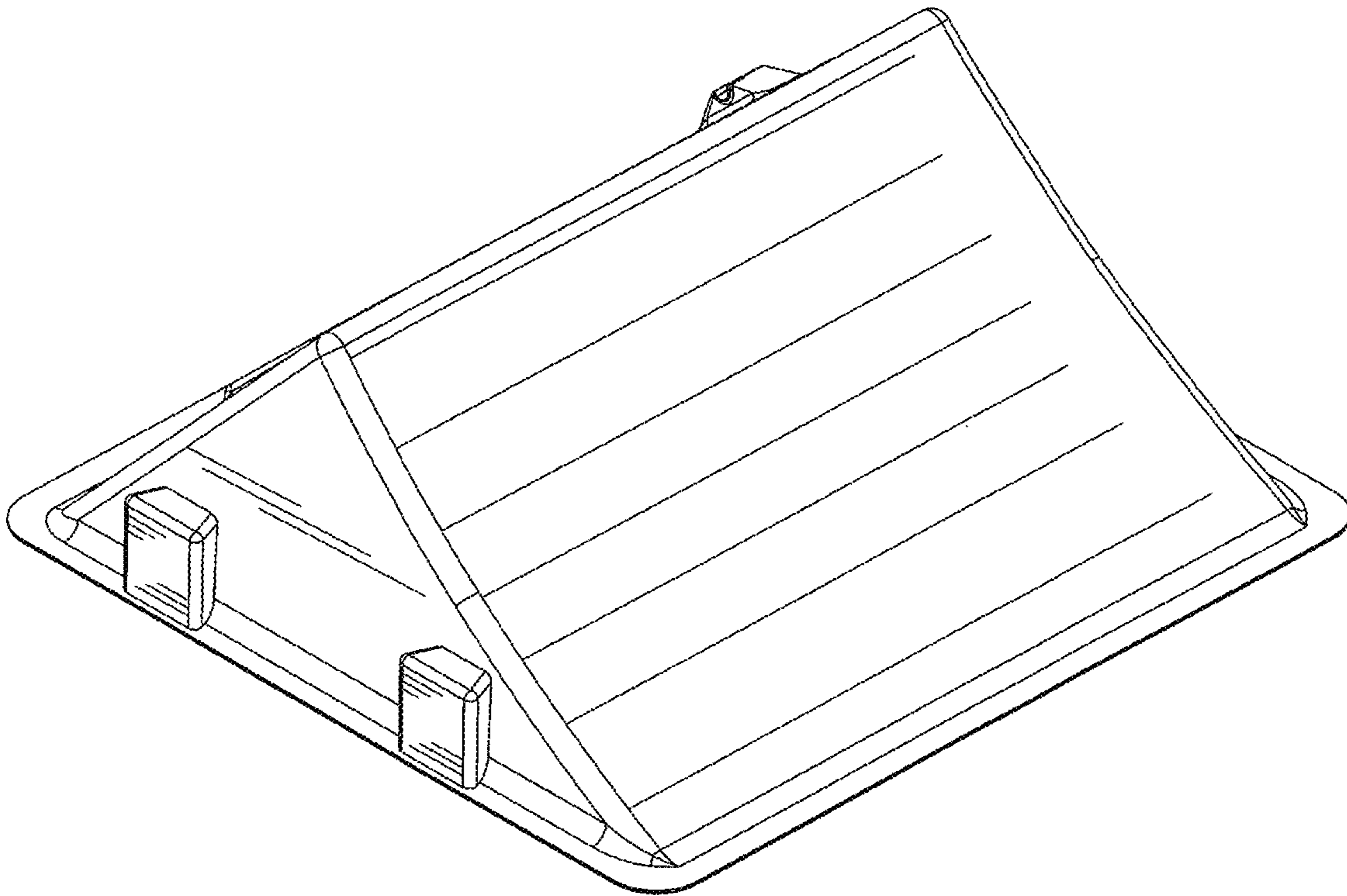


FIG. 11



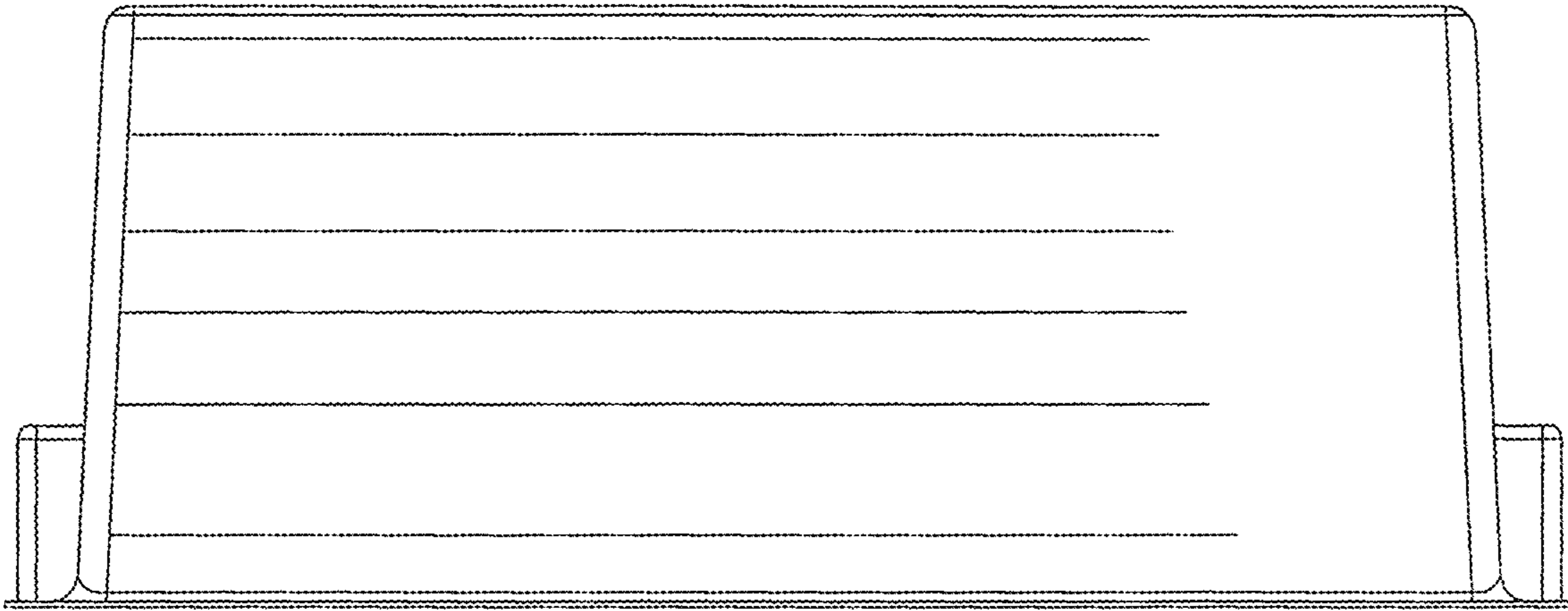


FIG. 12

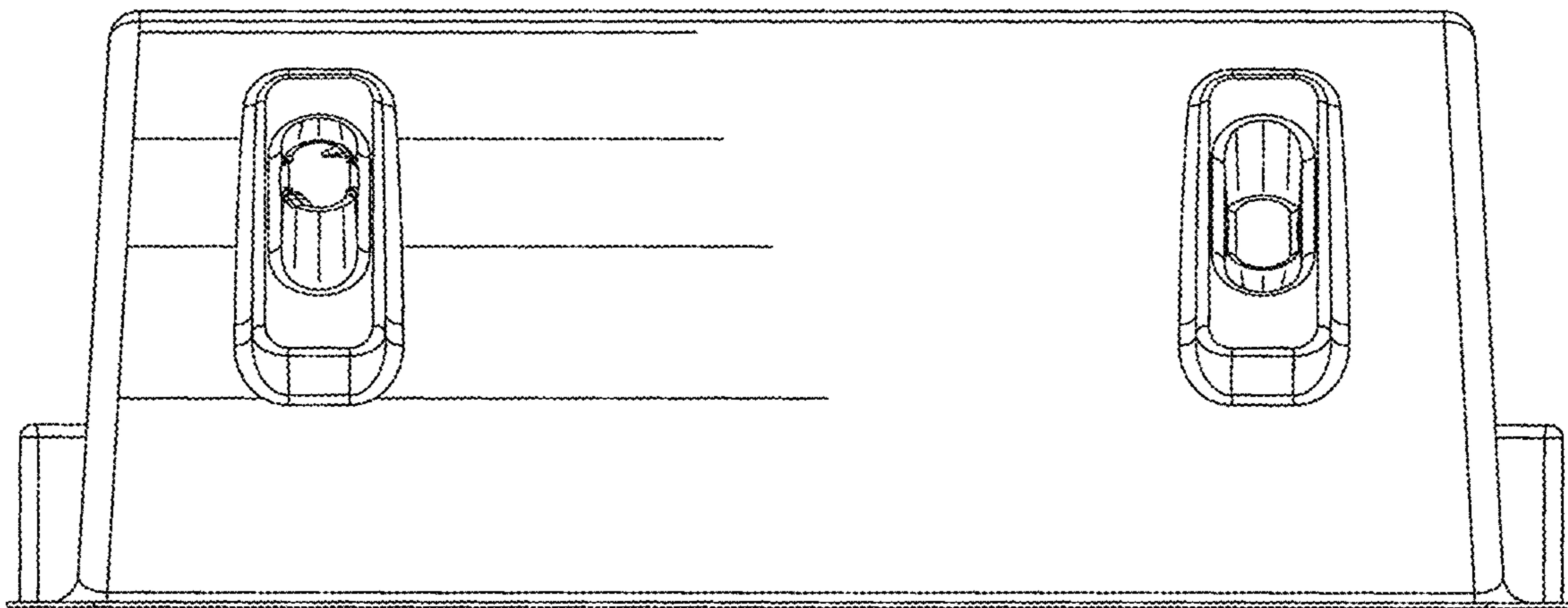


FIG. 13

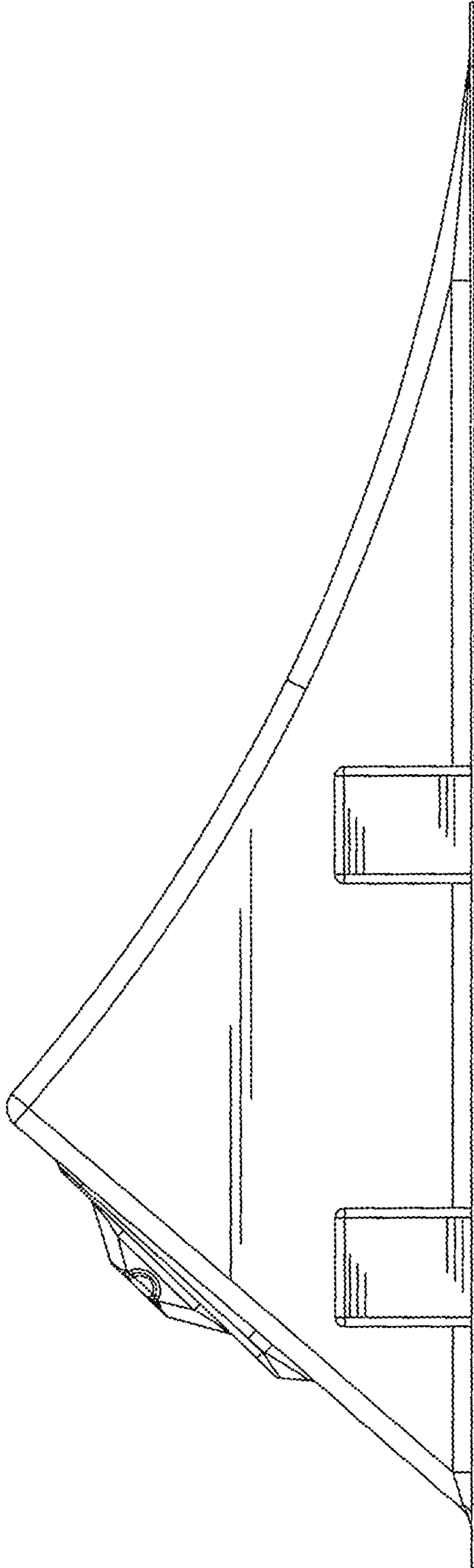


FIG. 14

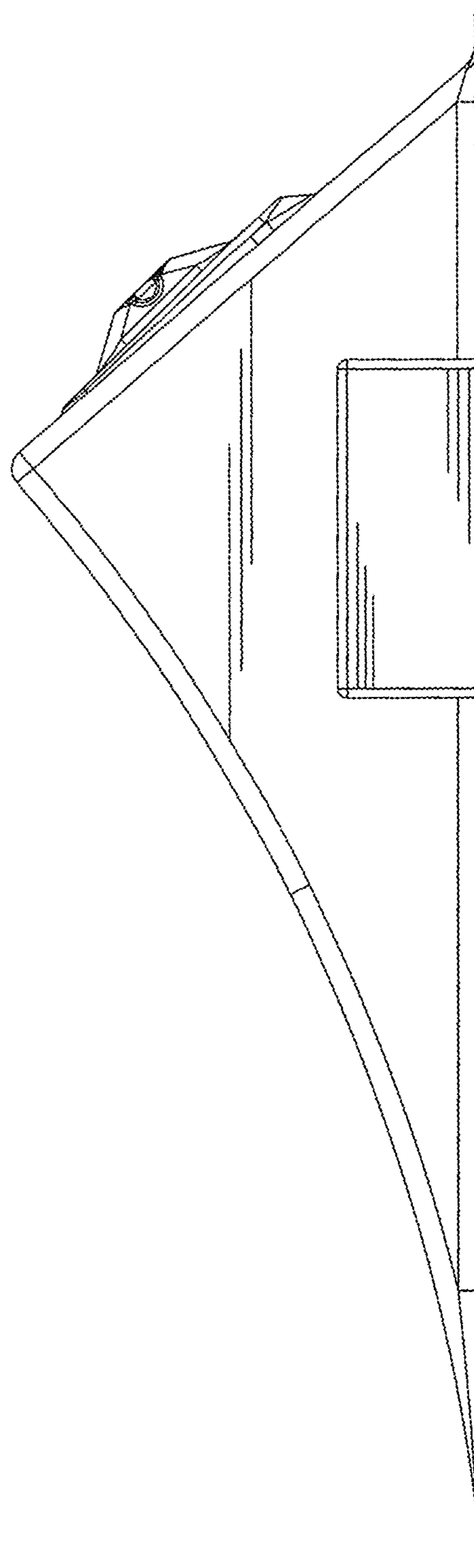


FIG. 15

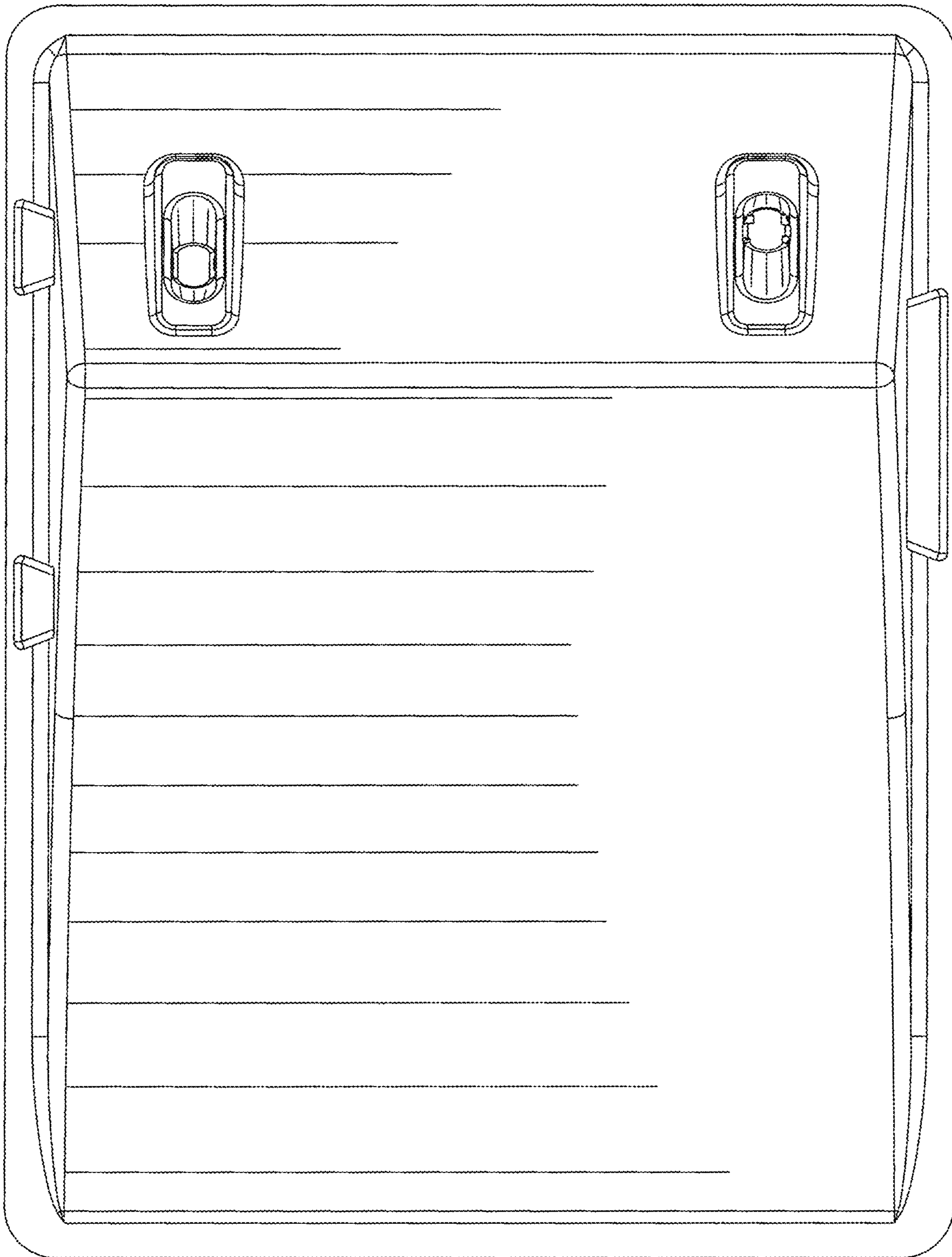


FIG. 16

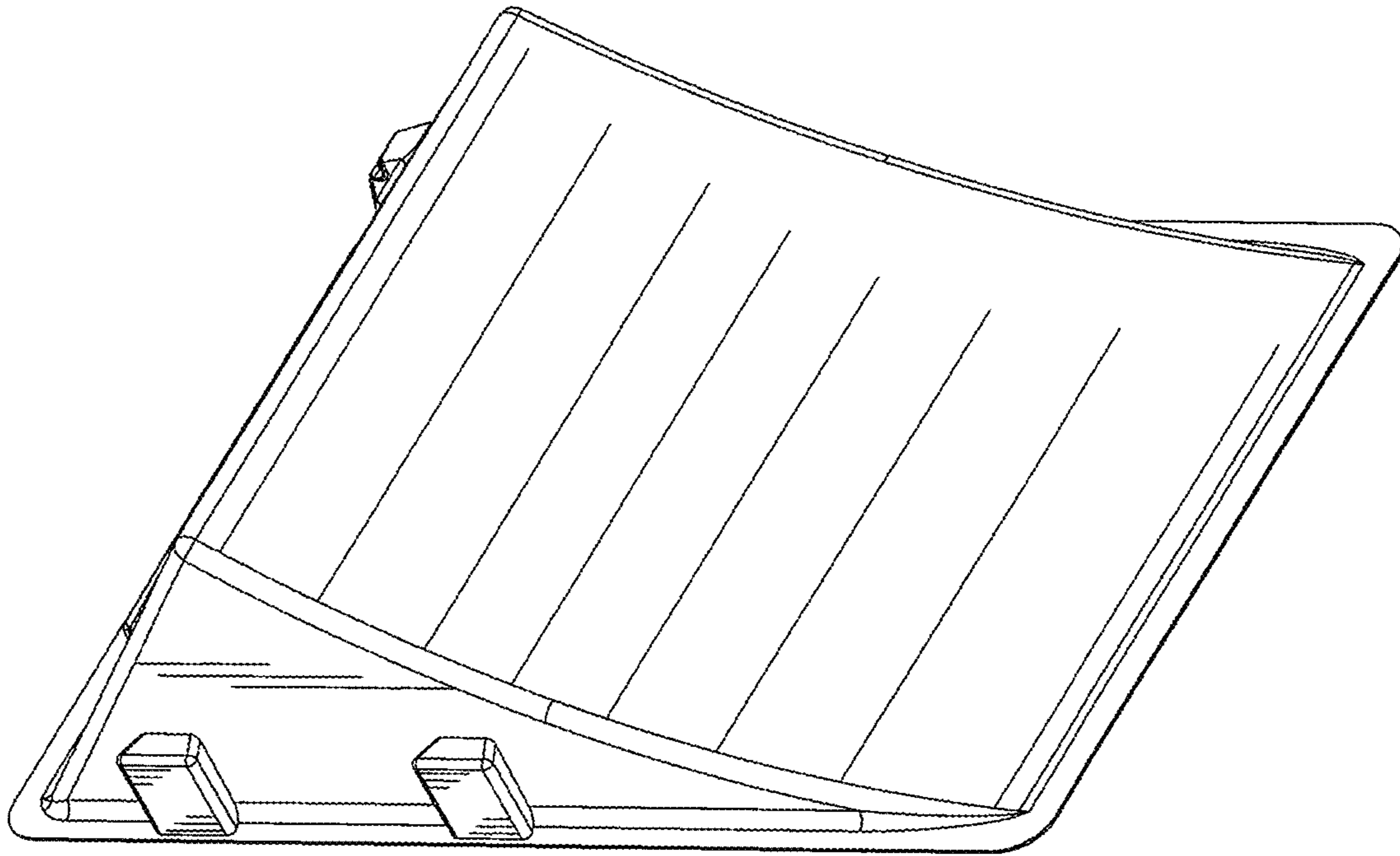


FIG. 17

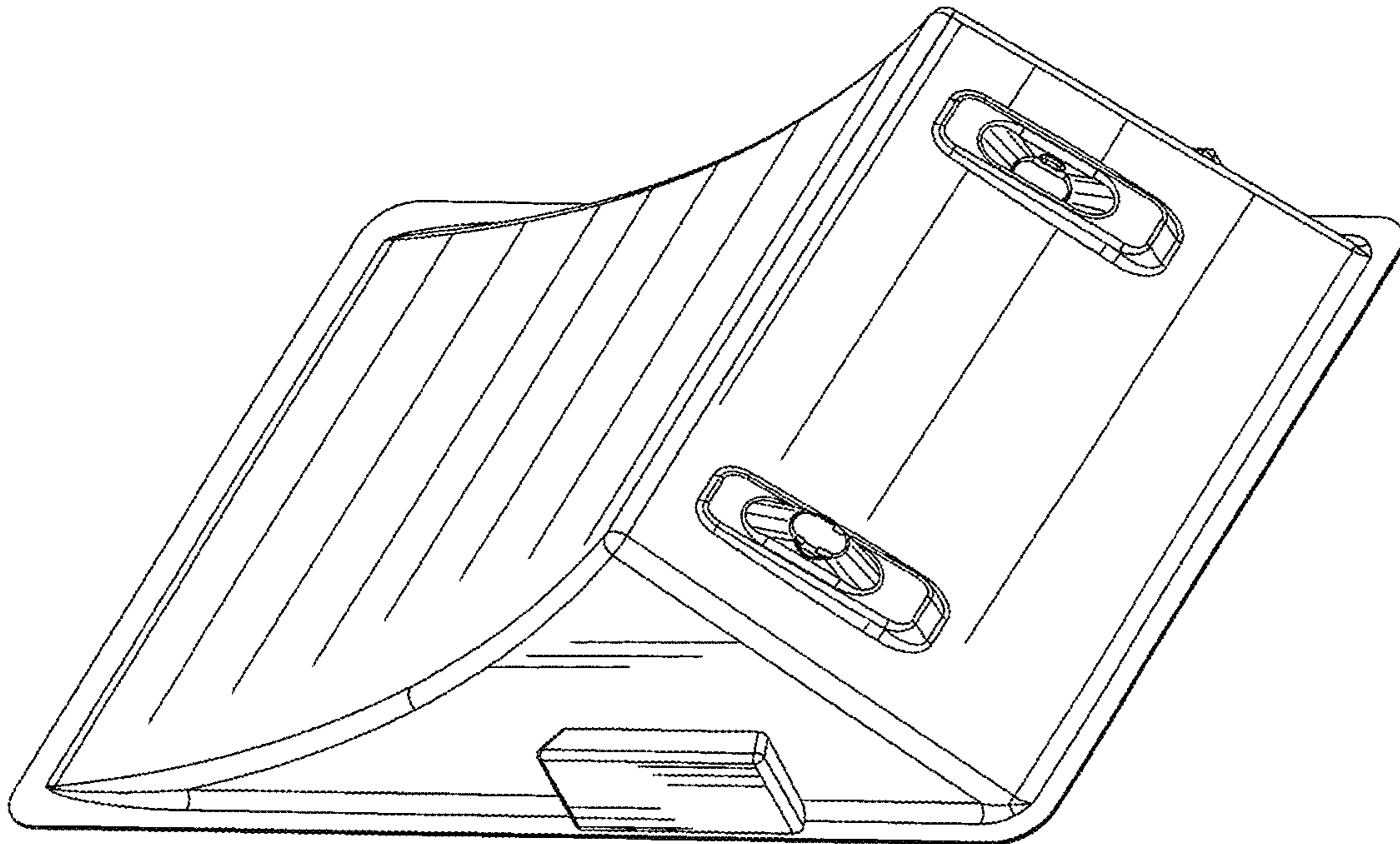


FIG. 18