

US00D882011S

(12) **United States Design Patent**
Colon

(10) **Patent No.:** **US D882,011 S**

(45) **Date of Patent:** **** Apr. 21, 2020**

- (54) **PART OF SKATEBOARDS**
- (71) Applicant: **PERFORMANCE SK8 HOLDING, INC**, Las Vegas, NV (US)
- (72) Inventor: **Becket Colon**, Vallentuna (SE)
- (**) Term: **15 Years**
- (21) Appl. No.: **35/505,438**
- (22) Filed: **Dec. 28, 2017**
- (80) **Hague Agreement Data**
 Int. Filing Date: **Dec. 28, 2017**
 Int. Reg. No.: **DM/102082**
 Int. Reg. Date: **Dec. 28, 2017**
 Int. Reg. Pub. Date: **Aug. 10, 2018**
- (51) **LOC (12) Cl.** **21-02**
- (52) **U.S. Cl.**
USPC **D21/771**
- (58) **Field of Classification Search**
USPC D21/771
CPC A63H 17/00; A63C 17/012; A63C 17/015;
A63C 17/02; A63C 17/0046; A63C
17/0066; A63C 17/0093; A63C 17/01
See application file for complete search history.
- (56) **References Cited**
U.S. PATENT DOCUMENTS
4,060,253 A * 11/1977 Oldendorf A63C 17/0046
280/11.28
4,159,830 A * 7/1979 Solimine A63C 17/012
280/11.28
4,166,629 A * 9/1979 List A63C 17/012
280/11.28

- 5,522,620 A * 6/1996 Pracas A63C 17/01
280/11.27
- D477,648 S * 7/2003 Smith D21/771
- 7,828,306 B2 * 11/2010 Stratton A63C 17/0093
280/87.042
- 8,251,383 B2 * 8/2012 Dickie A63C 17/0066
280/11.27
- 8,292,311 B2 * 10/2012 De Las Casas A63C 17/0046
280/87.042
- 8,857,824 B2 * 10/2014 Miller A63C 17/02
280/11.28
- 9,010,777 B2 * 4/2015 Braden A63C 17/012
280/11.28
- 9,050,540 B1 * 6/2015 Norman A63H 17/00
- D764,001 S * 8/2016 Docter D21/771
- 9,498,701 B2 * 11/2016 Baldauf A63C 17/012
- D780,869 S * 3/2017 Liu D21/771
- 9,604,123 B2 * 3/2017 Tolman A63C 17/012
- 9,643,076 B2 * 5/2017 Aamodt A63C 17/015

* cited by examiner

Primary Examiner — George D. Kirschbaum

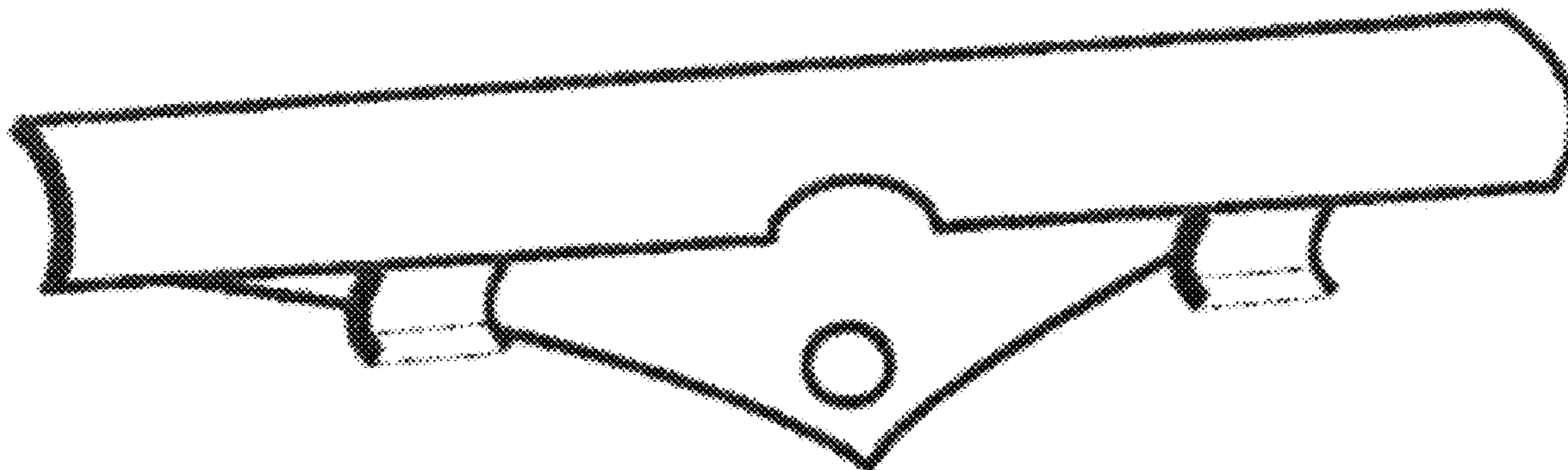
(57) **CLAIM**

The ornamental design for a part of skateboards, as shown and described.

DESCRIPTION

1. Part of skateboards
1.1 : Front
1.2 : Back
1.3 : Design as mounted on a skateboard truck
1.4: Perspective
 The broken lines show wheels and a skateboard truck for the purpose of illustrating the operating environment of the claimed design (part of skateboards) and form no part of the claimed design.

1 Claim, 1 Drawing Sheet



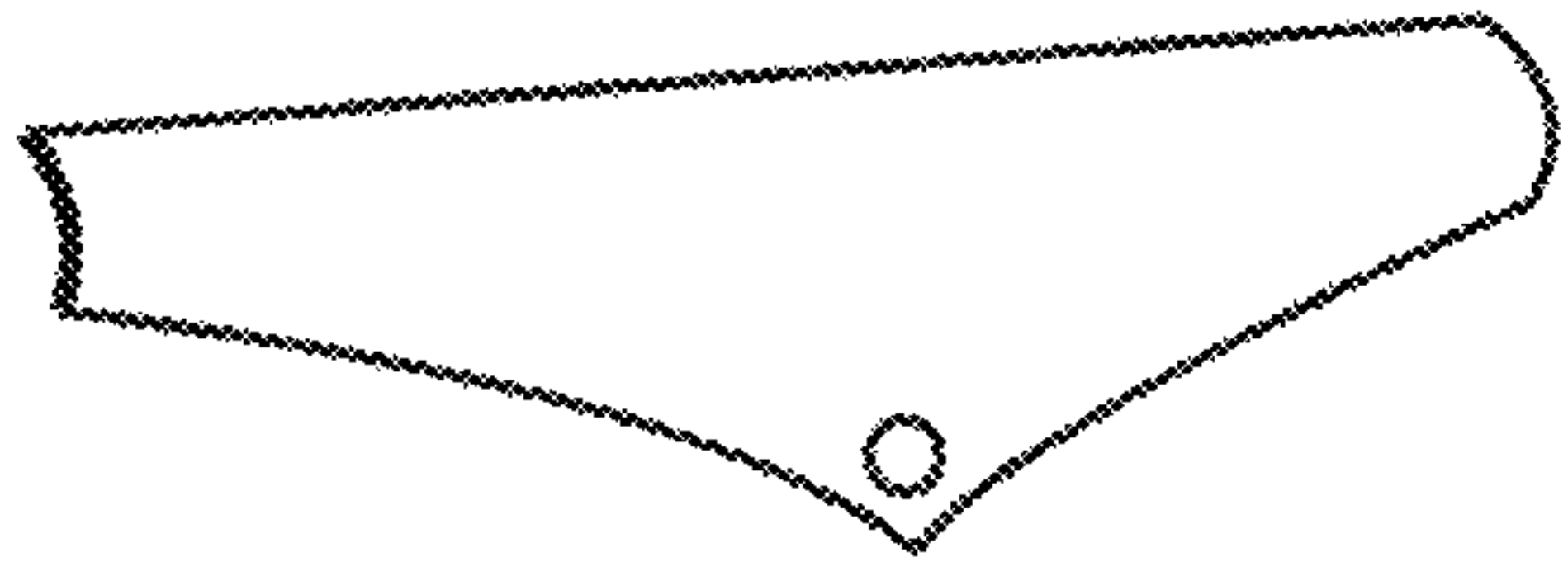


FIGURE 1.1

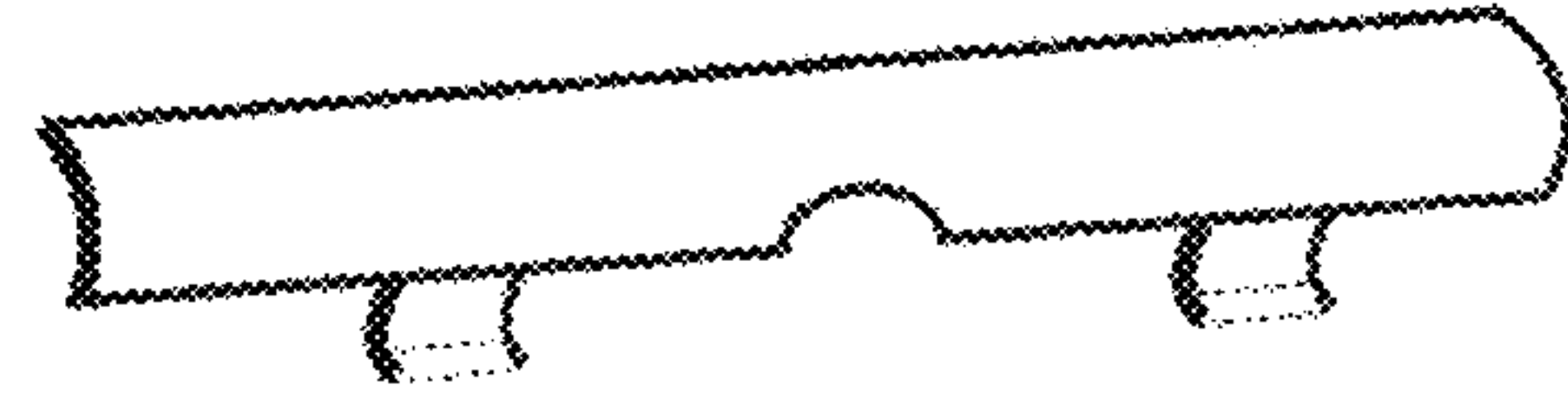


FIGURE 1.2

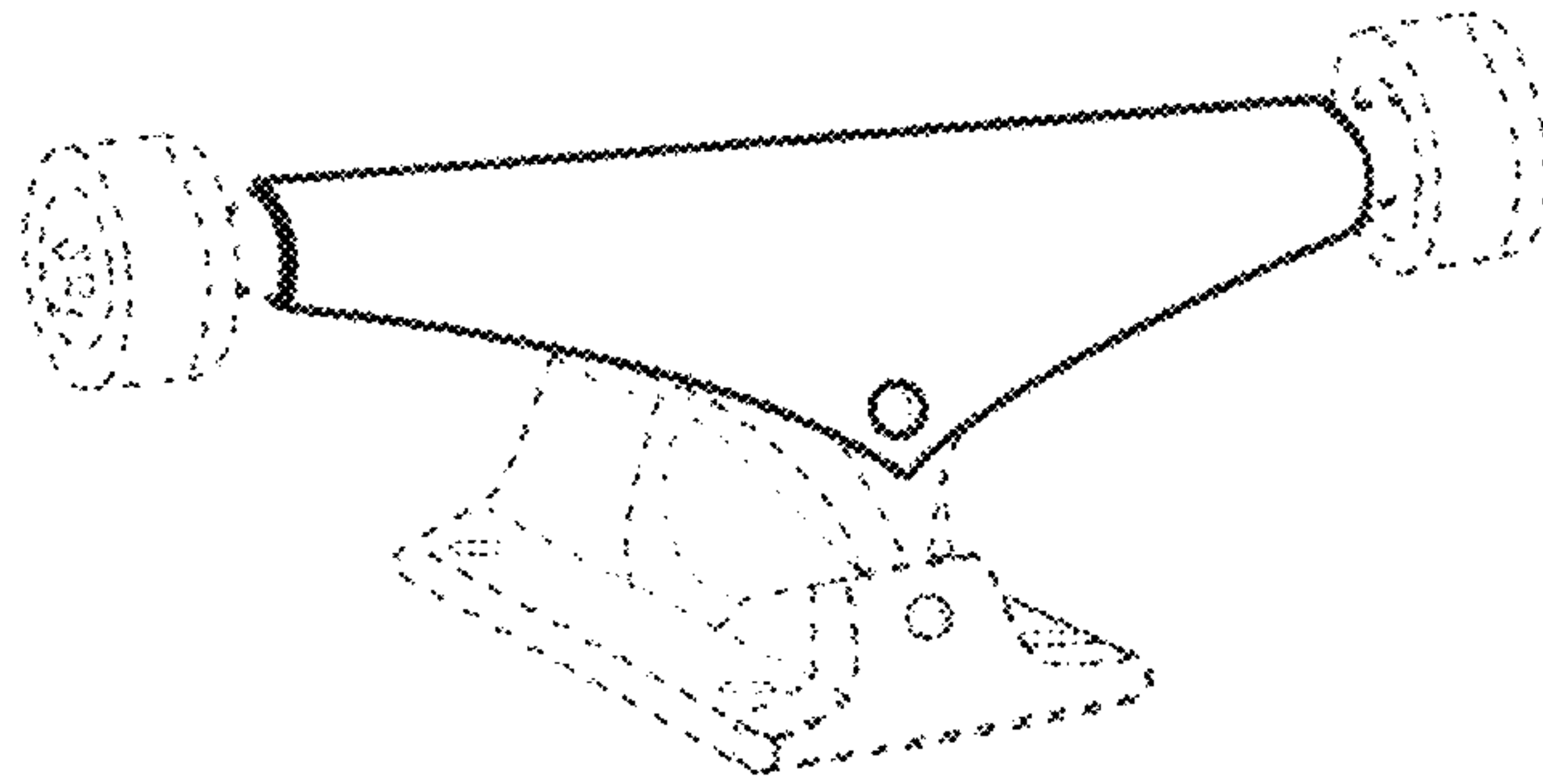


FIGURE 1.3

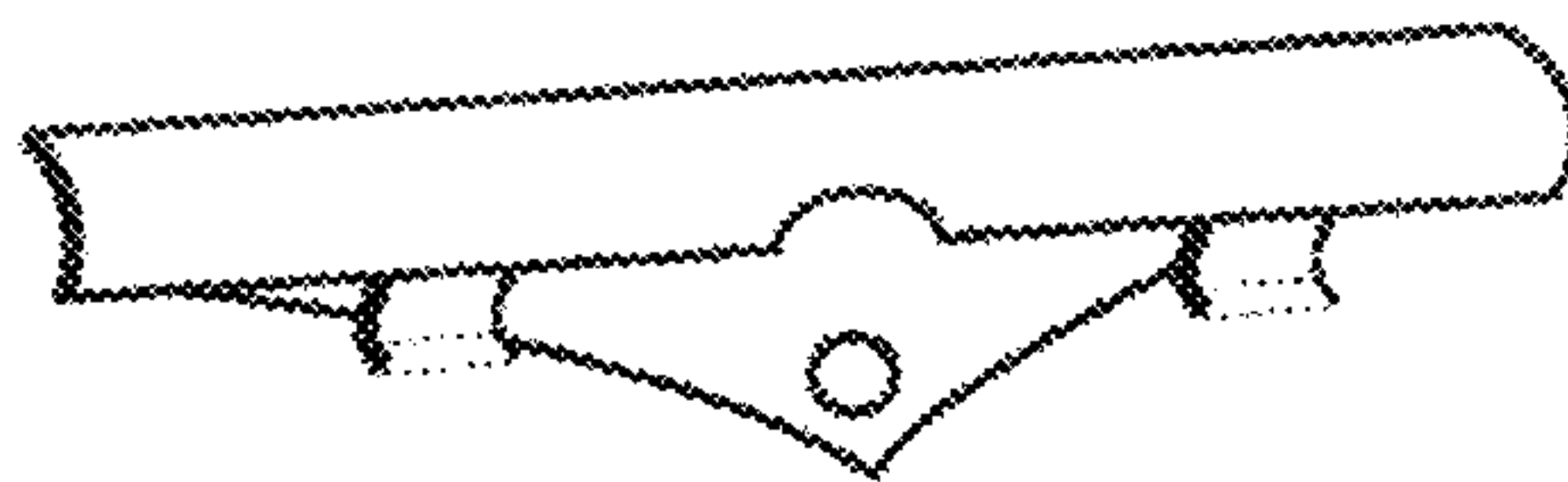


FIGURE 1.4