



US00D882010S

(12) **United States Design Patent**
Vermillion

(10) **Patent No.:** **US D882,010 S**

(45) **Date of Patent:** **** Apr. 21, 2020**

(54) **ELECTRICALLY PROPELLED SURFBOARD**

10,118,677 B2 * 11/2018 Zapata B63H 11/00
10,150,544 B2 * 12/2018 Schibli B63H 21/20
D847,927 S * 5/2019 Duff D21/769

(71) Applicant: **Ride Awake AB**, Malmö (SE)

* cited by examiner

(72) Inventor: **Brendon Vermillion**, Malmö (SE)

Primary Examiner — Zenia I Bennett

(73) Assignee: **Ride Awake AB**, Malmo (SE)

(74) *Attorney, Agent, or Firm* — Merchant & Gould P.C.

(**) Term: **15 Years**

(57) **CLAIM**

(21) Appl. No.: **29/674,919**

The ornamental design for an electrically propelled surfboard, as shown and described.

(22) Filed: **Dec. 27, 2018**

DESCRIPTION

(30) **Foreign Application Priority Data**

Jun. 29, 2018 (EM) 005331774-0002

FIG. 1 is a rear perspective view of an electrically propelled surfboard for according to the principles of the present invention.

(51) **LOC (12) Cl.** **21-02**

FIG. 2 is a top perspective view of the electrically propelled surfboard of FIG. 1.

(52) **U.S. Cl.**
USPC **D21/769**

FIG. 3 is a bottom view of the electrically propelled surfboard of FIG. 1.

(58) **Field of Classification Search**
USPC D21/760, 761, 765, 766, 801, 803;
D12/6
CPC . B63B 35/79; B63B 35/7906; B63B 35/7909;
B63B 35/7923; B63B 35/7943; B63B
2035/7903
See application file for complete search history.

FIG. 4 is a top view of the electrically propelled surfboard of FIG. 1.

FIG. 5 is a front view of the electrically propelled surfboard of FIG. 1.

FIG. 6 is a rear view of the electrically propelled surfboard of FIG. 1.

FIG. 7 is a right side view of the electrically propelled surfboard of FIG. 1.

(56) **References Cited**

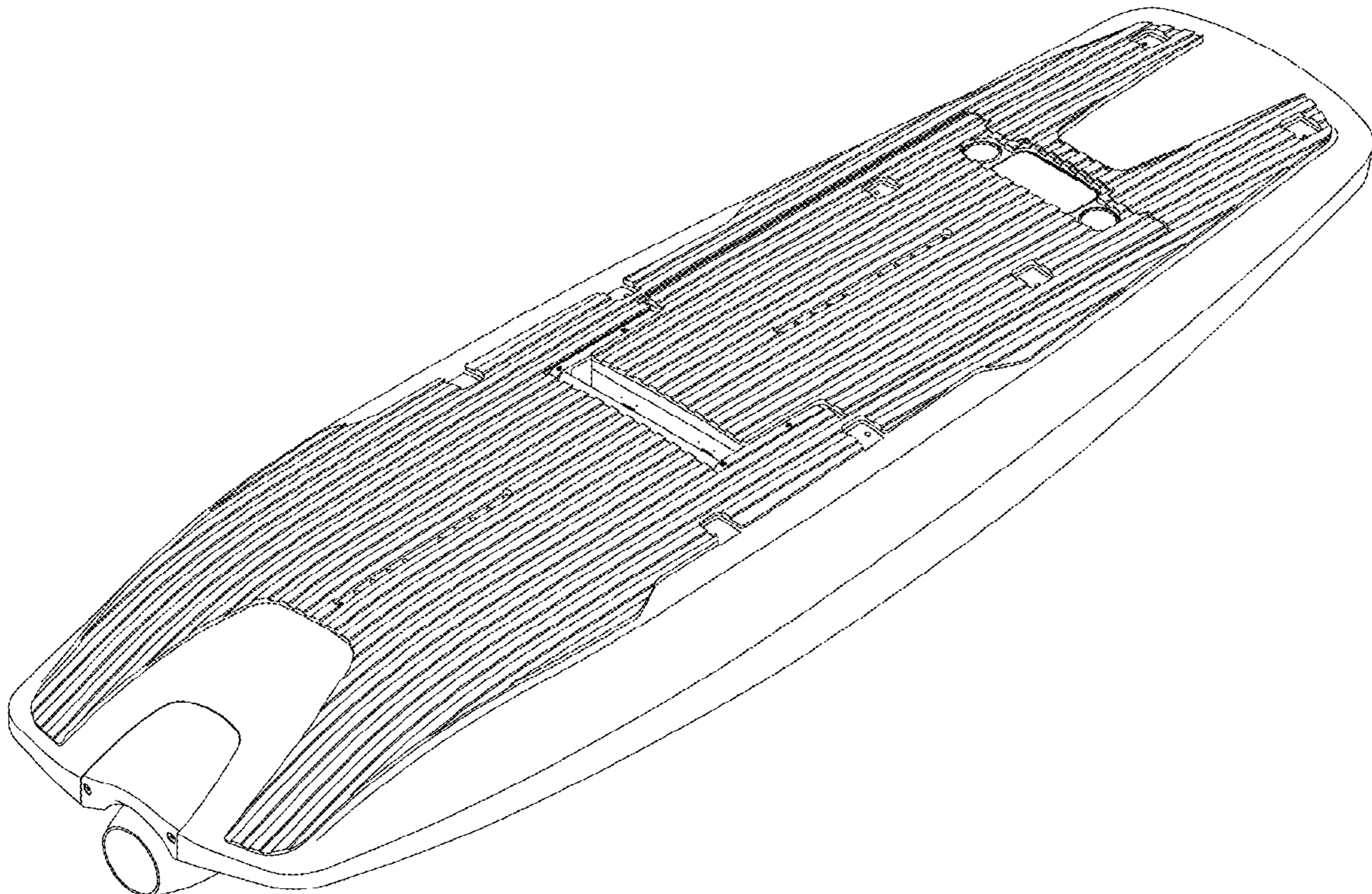
U.S. PATENT DOCUMENTS

D289,031 S * 3/1987 Monostory D12/307
D446,273 S * 8/2001 Natale D21/769
10,011,329 B1 * 7/2018 Cooper B63H 20/02

FIG. 8 is a left side view of the electrically propelled surfboard of FIG. 1; and,

FIG. 9 is a bottom perspective view of the electrically propelled surfboard of FIG. 1.

1 Claim, 9 Drawing Sheets



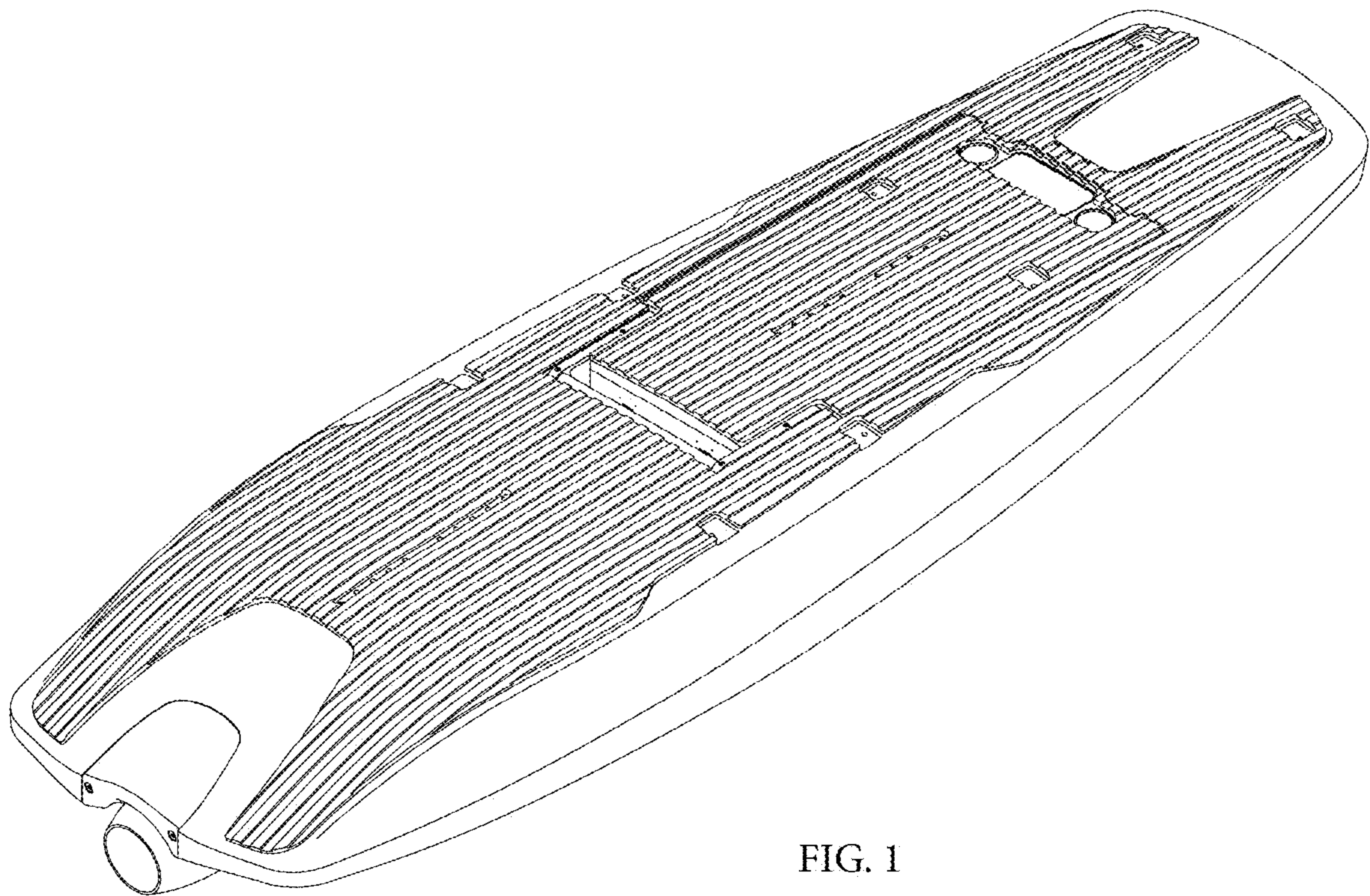


FIG. 1

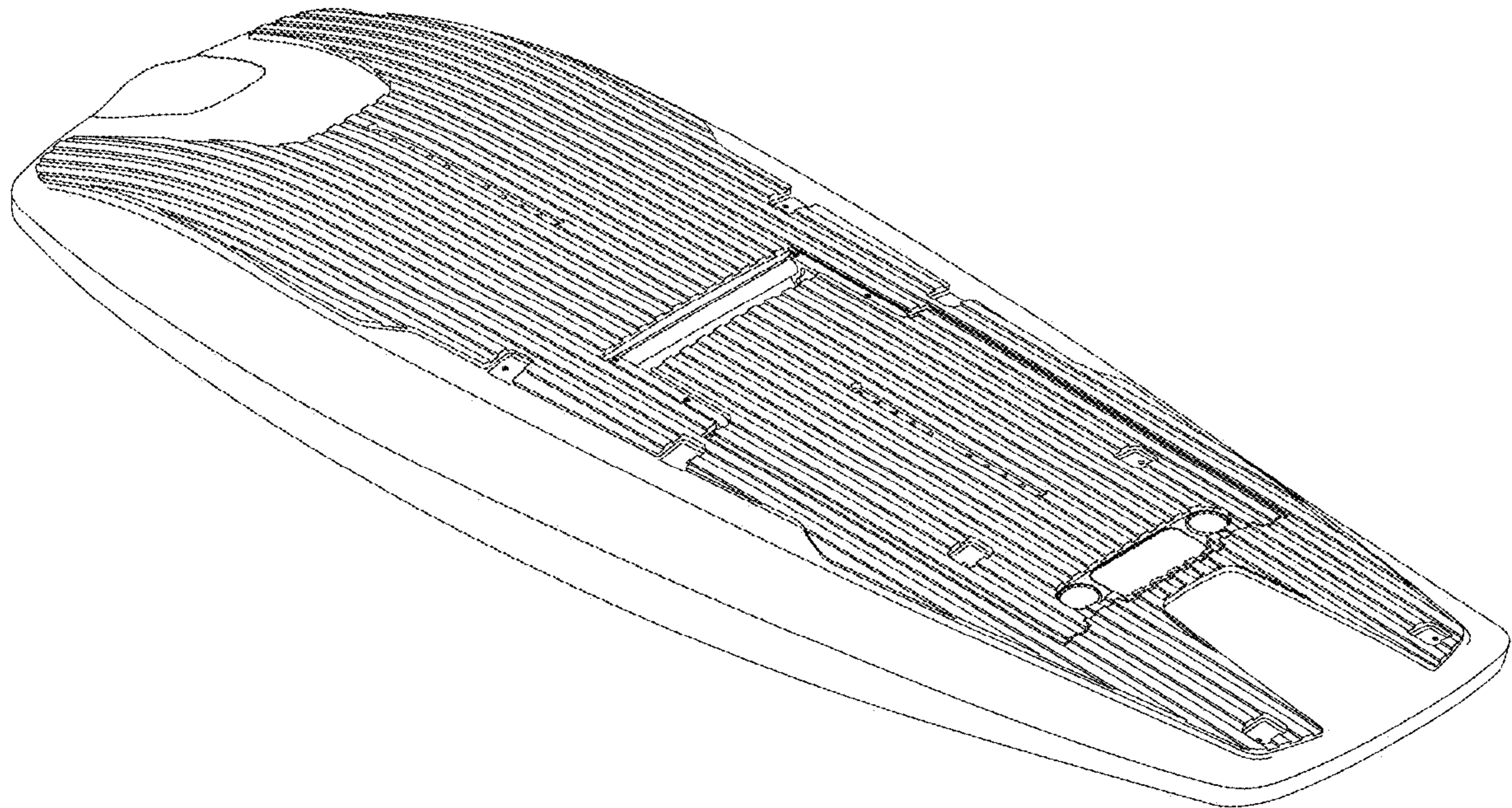


FIG. 2

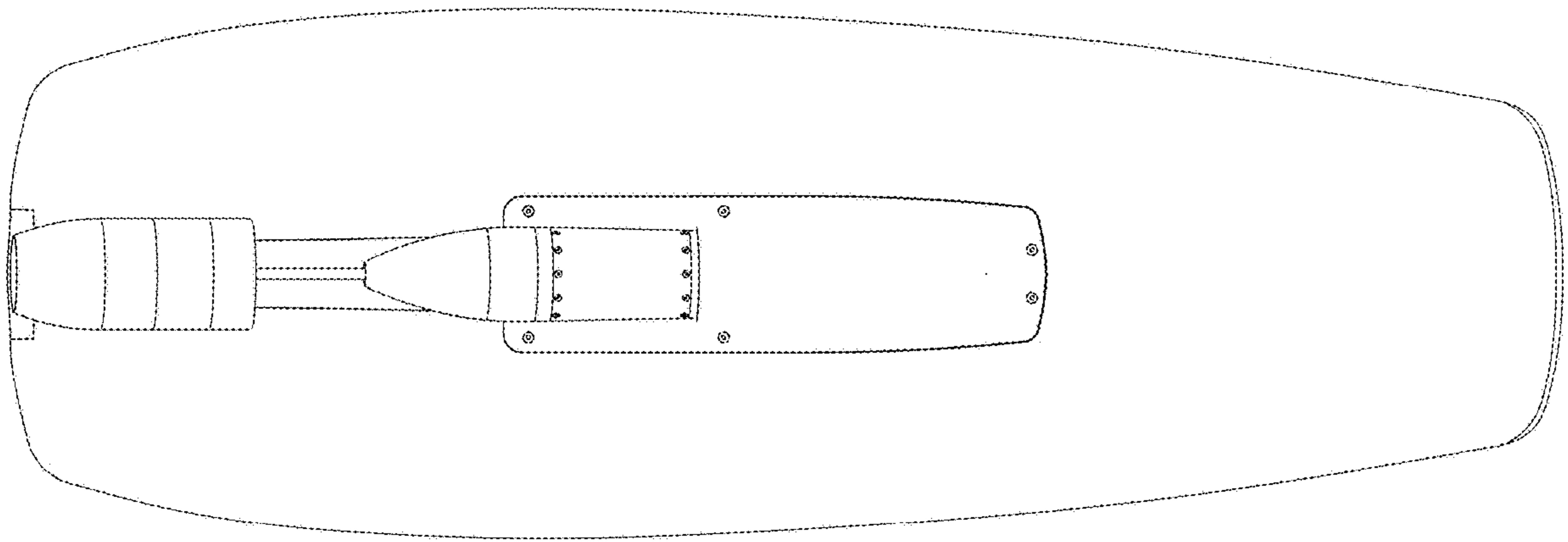


FIG. 3

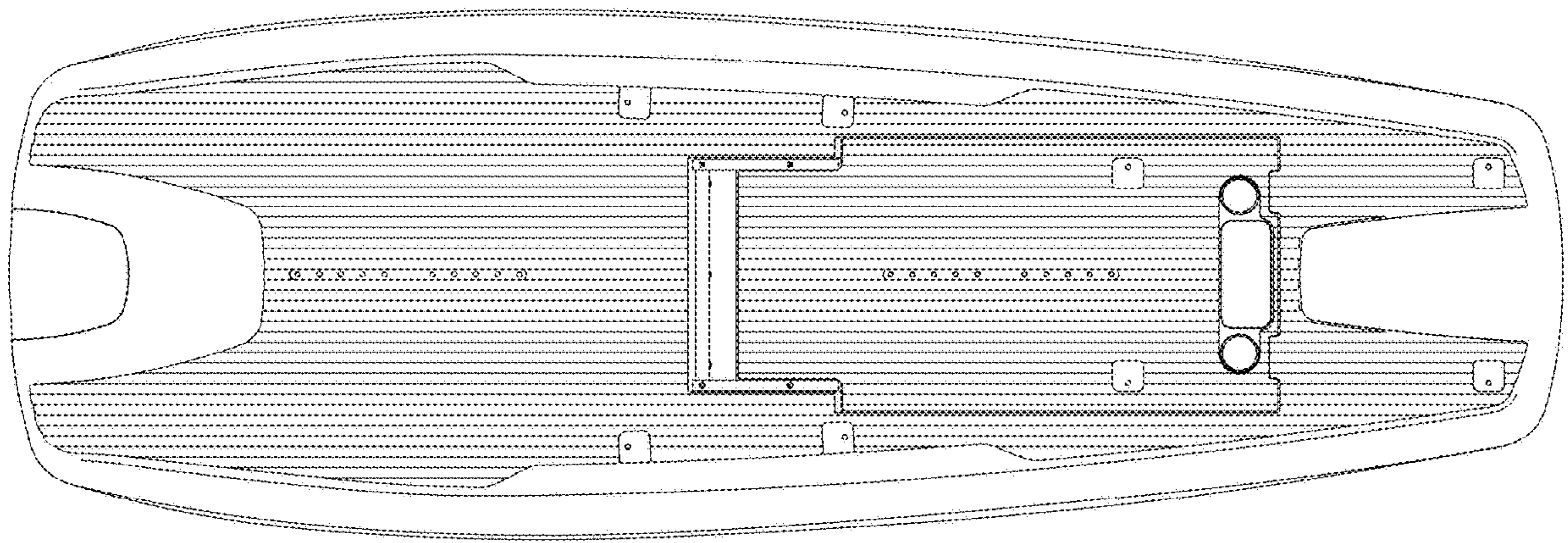


FIG. 4

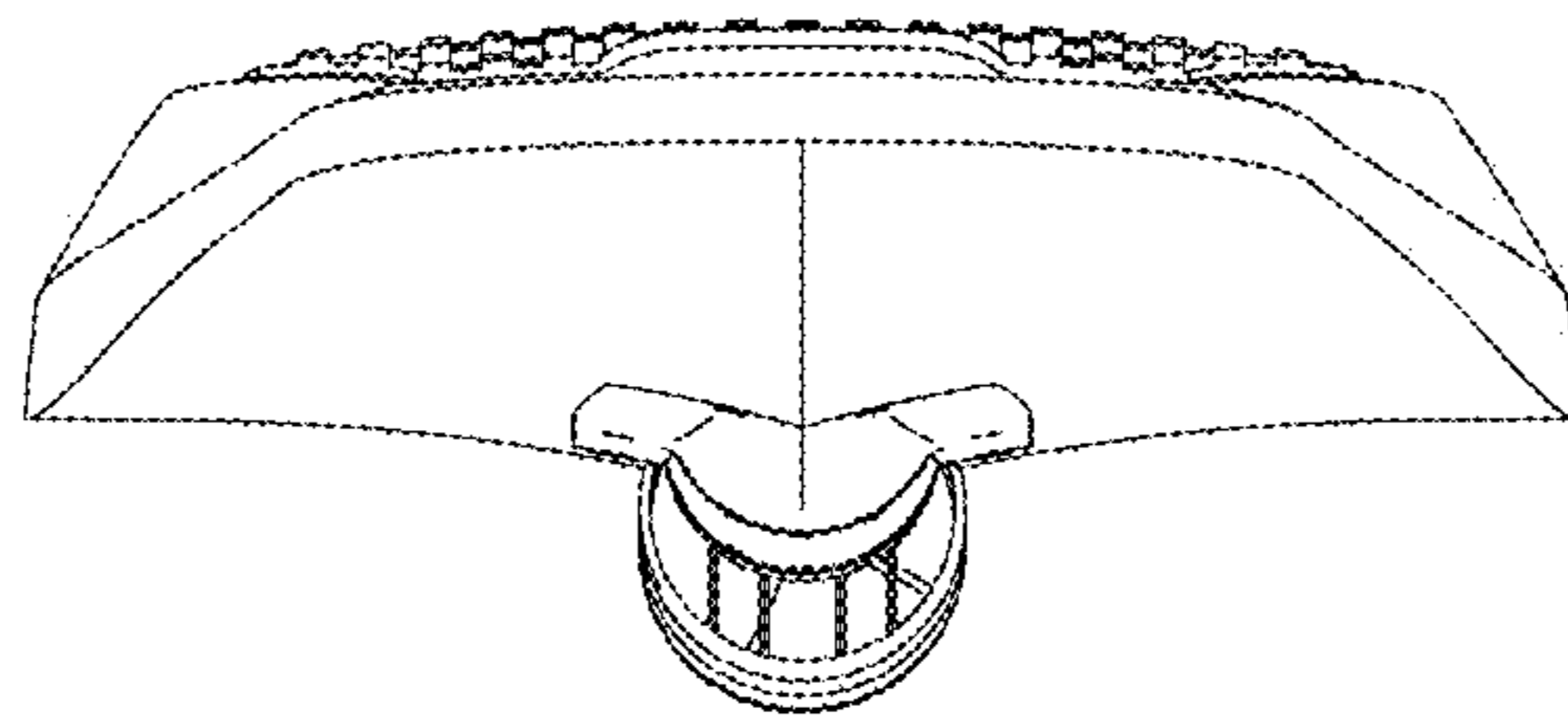


FIG. 5

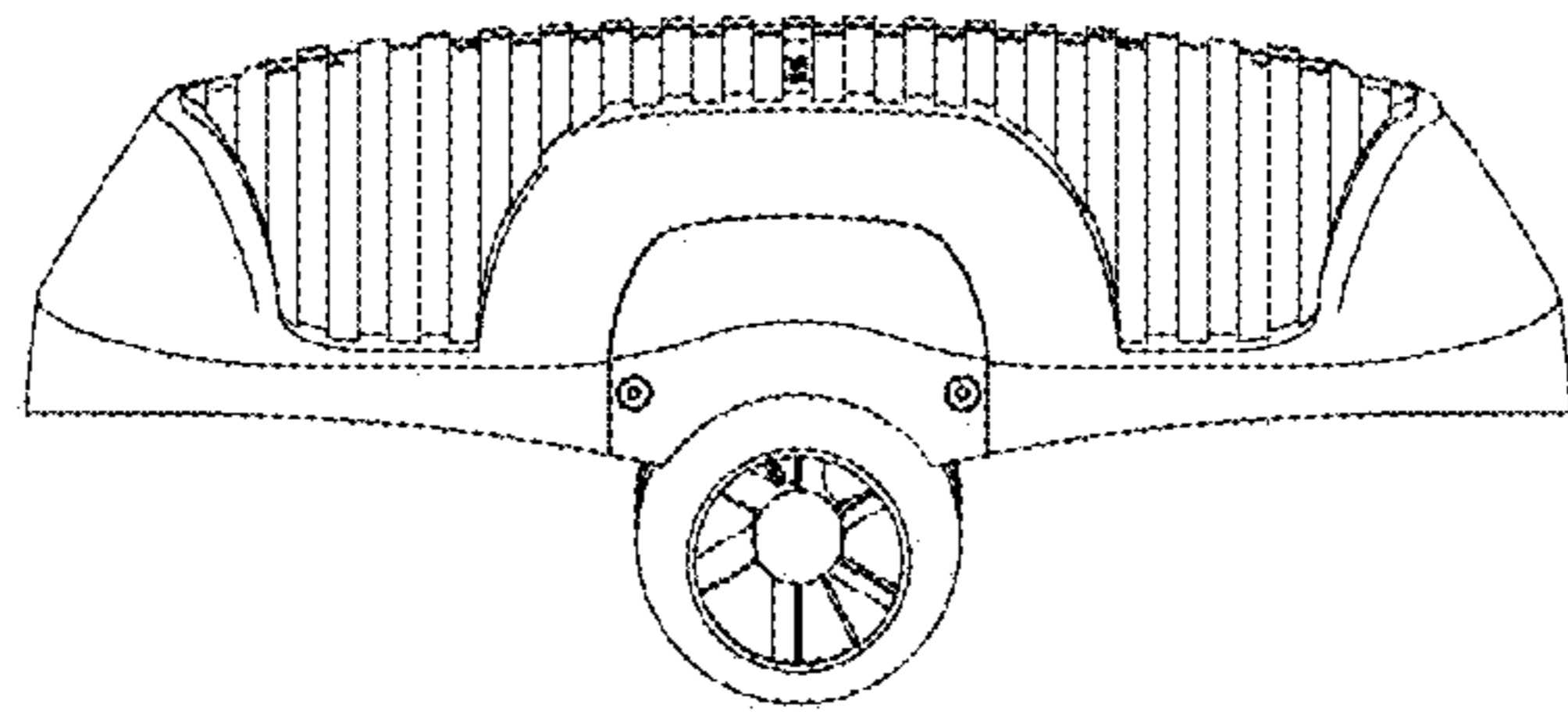


FIG. 6

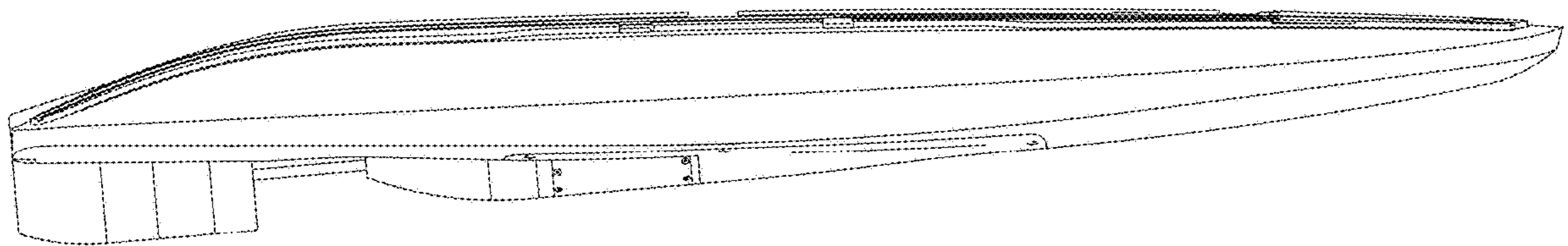


FIG. 7

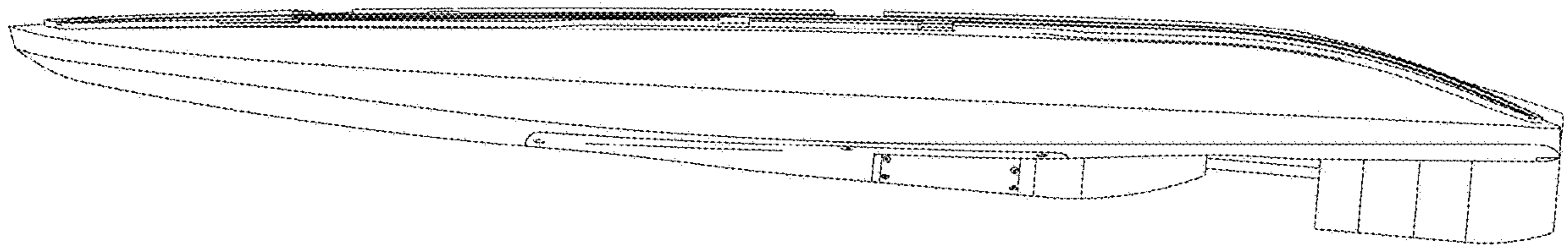


FIG. 8

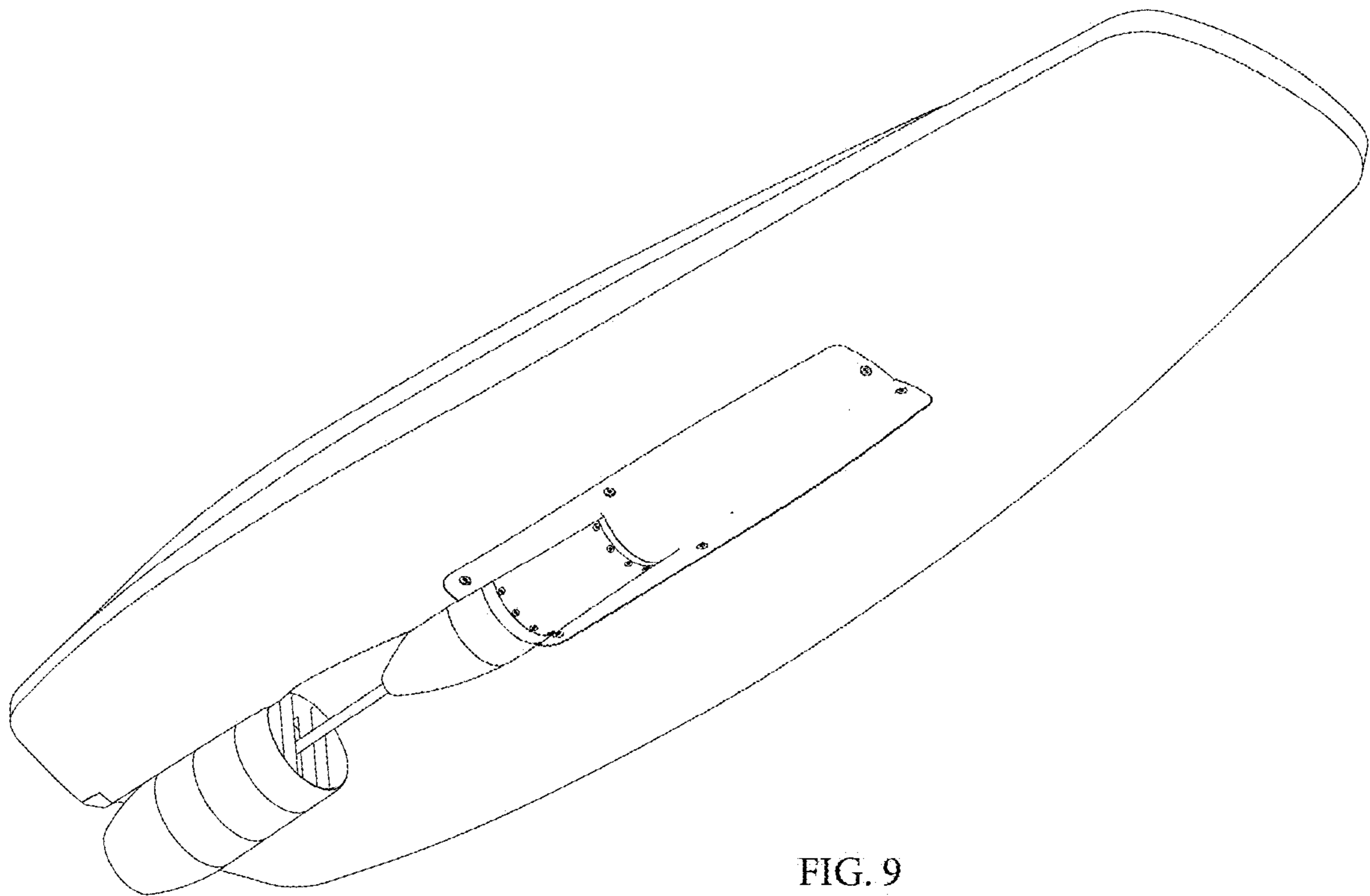


FIG. 9