



US00D882006S

(12) **United States Design Patent**
Serrano

(10) **Patent No.:** **US D882,006 S**

(45) **Date of Patent:** **** Apr. 21, 2020**

(54) **GOLF CLUB HEAD**

(71) Applicant: **KARSTEN MANUFACTURING CORPORATION**, Phoenix, AZ (US)

(72) Inventor: **Anthony D. Serrano**, Anthem, AZ (US)

(73) Assignee: **Karsten Manufacturing Corporation**, Phoenix, AZ (US)

(**) Term: **15 Years**

(21) Appl. No.: **29/670,461**

(22) Filed: **Nov. 15, 2018**

(51) **LOC (12) Cl.** **21-02**

(52) **U.S. Cl.**
USPC **D21/736**

(58) **Field of Classification Search**
USPC D21/736–746, 759
CPC A63B 53/00; A63B 53/04; A63B 53/007;
A63B 53/065; A63B 53/0487; A63B
60/00; A63B 60/46
See application file for complete search history.

(56) **References Cited**

U.S. PATENT DOCUMENTS

4,741,535 A	5/1988	Leonhardt	
D323,867 S	2/1992	Rizzotto	
D350,177 S *	8/1994	Ramirez	D21/745
D359,330 S	6/1995	Channell	
D381,382 S	7/1997	Fenton, Jr.	
5,997,409 A	12/1999	Mattson	
D421,471 S	3/2000	Moldovan	
D436,638 S	1/2001	Carrier	
D517,143 S *	3/2006	Petsel	D21/742
D532,844 S	11/2006	Rollinson	
D532,845 S *	11/2006	Rollinson	D21/736
D564,607 S *	3/2008	Oldknow	D21/736

D568,954 S *	5/2008	Oldknow	D21/759
D573,673 S *	7/2008	Noyes	D21/721
D574,908 S *	8/2008	Hettinger	D21/743

(Continued)

OTHER PUBLICATIONS

<https://www.2ndswing.com/nike/golf-putters/everclear-e33/#used>, Nike Everclear E33 Putter, Jun. 13, 2017.

(Continued)

Primary Examiner — Mitchell I. Siegel

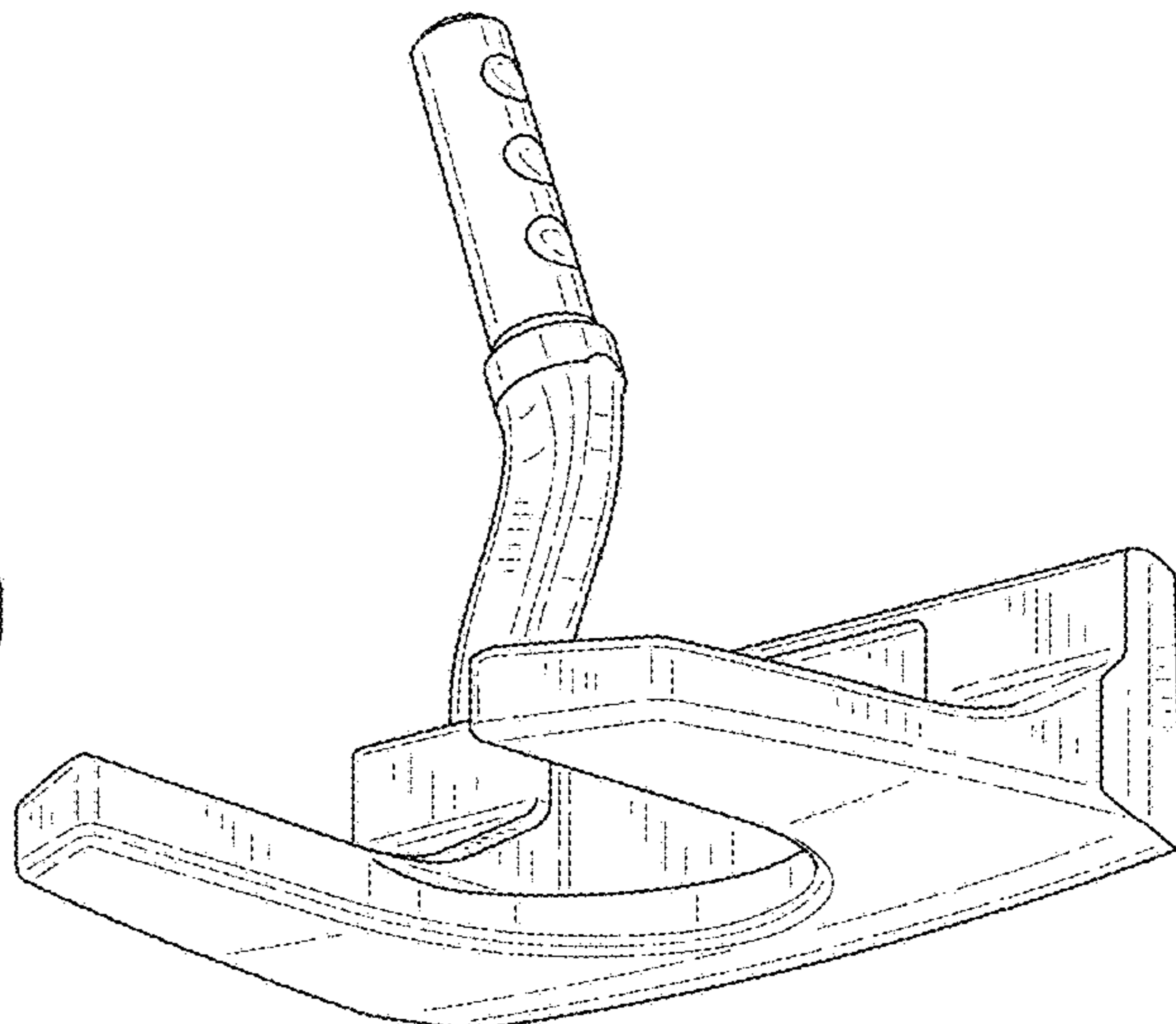
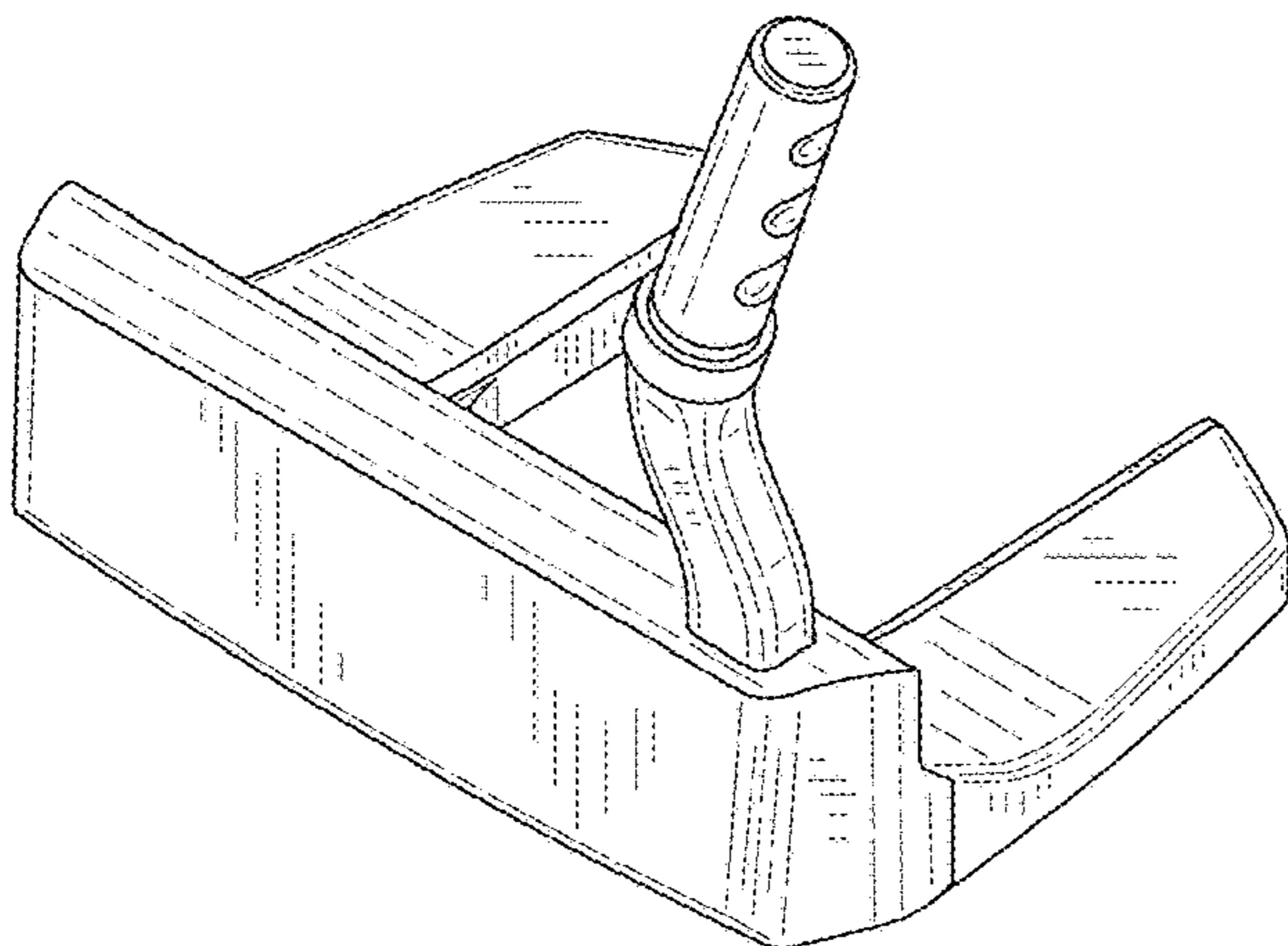
(57) **CLAIM**

The ornamental design for a golf club head, as shown and described.

DESCRIPTION

FIG. 1 is a top perspective view of a golf club head; FIG. 2 is a bottom perspective view of the golf club head of FIG. 1; FIG. 3 is a top view of the golf club head of FIG. 1; FIG. 4 is a bottom view of the golf club head of FIG. 1; FIG. 5 is a front view of the golf club head of FIG. 1; FIG. 6 is a rear view of the golf club head of FIG. 1; FIG. 7 is a heel side view of the golf club head of FIG. 1; FIG. 8 is a toe side view of the golf club head of FIG. 1; FIG. 9 is a top perspective view of a golf club head; FIG. 10 is a bottom perspective view of the golf club head of FIG. 9; FIG. 11 is a top view of the golf club head of FIG. 9; FIG. 12 is a bottom view of the golf club head of FIG. 9; FIG. 13 is a front view of the golf club head of FIG. 9; FIG. 14 is a rear view of the golf club head of FIG. 9; FIG. 15 is a heel side view of the golf club head of FIG. 9; and, FIG. 16 is a toe side view of the golf club head of FIG. 9. The broken line showing is included for the purpose of illustrating unclaimed subject matter and forms no part of the claimed design.

1 Claim, 12 Drawing Sheets



(56)

References Cited

U.S. PATENT DOCUMENTS

D582,497 S * 12/2008 Rollinson D21/744
 D589,575 S * 3/2009 Kim D21/744
 D590,461 S * 4/2009 Kim D21/743
 D591,371 S * 4/2009 Hilton D21/736
 D591,807 S * 5/2009 Rollinson D21/744
 D595,373 S * 6/2009 Kim D21/744
 D604,787 S * 11/2009 Hopkins D21/736
 D621,458 S 8/2010 Serrano et al.
 D633,971 S * 3/2011 Cardani D21/759
 D636,829 S * 4/2011 Cardani D21/759
 D670,774 S * 11/2012 Seiff D21/736
 D688,341 S * 8/2013 Rollinson D21/746
 D691,226 S * 10/2013 Hilton D21/746
 D701,274 S * 3/2014 Rollinson D21/736
 D719,622 S * 12/2014 Rollinson D21/746
 D728,715 S * 5/2015 Cameron D21/736
 D730,464 S * 5/2015 Cameron D21/743
 D731,605 S * 6/2015 Rollinson D21/736
 D768,248 S * 10/2016 Rollinson D21/744
 D771,208 S * 11/2016 Bettinardi D21/744
 D773,573 S * 12/2016 Abbott D21/744
 D776,771 S * 1/2017 Peterson D21/744
 D777,270 S * 1/2017 Rollinson D21/744

D799,617 S * 10/2017 Becktor D21/742
 D801,459 S * 10/2017 Rollinson D21/746
 D807,453 S * 1/2018 Serrano D21/743
 D812,164 S * 3/2018 Parsons D21/742
 D813,963 S * 3/2018 Lapuz D21/742
 D815,222 S * 4/2018 Serrano D21/743
 D815,703 S * 4/2018 Schweigert D21/736
 D832,381 S * 10/2018 Serrano D21/743
 D844,722 S * 4/2019 Wang D21/736
 D860,356 S * 9/2019 Rollinson D21/744
 D865,885 S * 11/2019 Long D21/736
 D867,495 S * 11/2019 Cameron D21/736
 D867,497 S * 11/2019 Broom D21/743
 D867,498 S * 11/2019 Broom D21/743

OTHER PUBLICATIONS

<https://www.scottycameron.com/archives/putters/2016/futura-x/futura-x5/>, Futura X5, Jun. 13, 2017.
<https://www.clevelandgolf.com/en/clubs-tfi-2135-elevado-putter/MTFI2135ELEV.html>, TFI 2135 Elevado Putter, Jun. 13, 2017.
<http://rifegolf.com/store#!/~/product/category=8856002&id=34731881>, Rife General Left-hand Putter, Jun. 13, 2017.

* cited by examiner

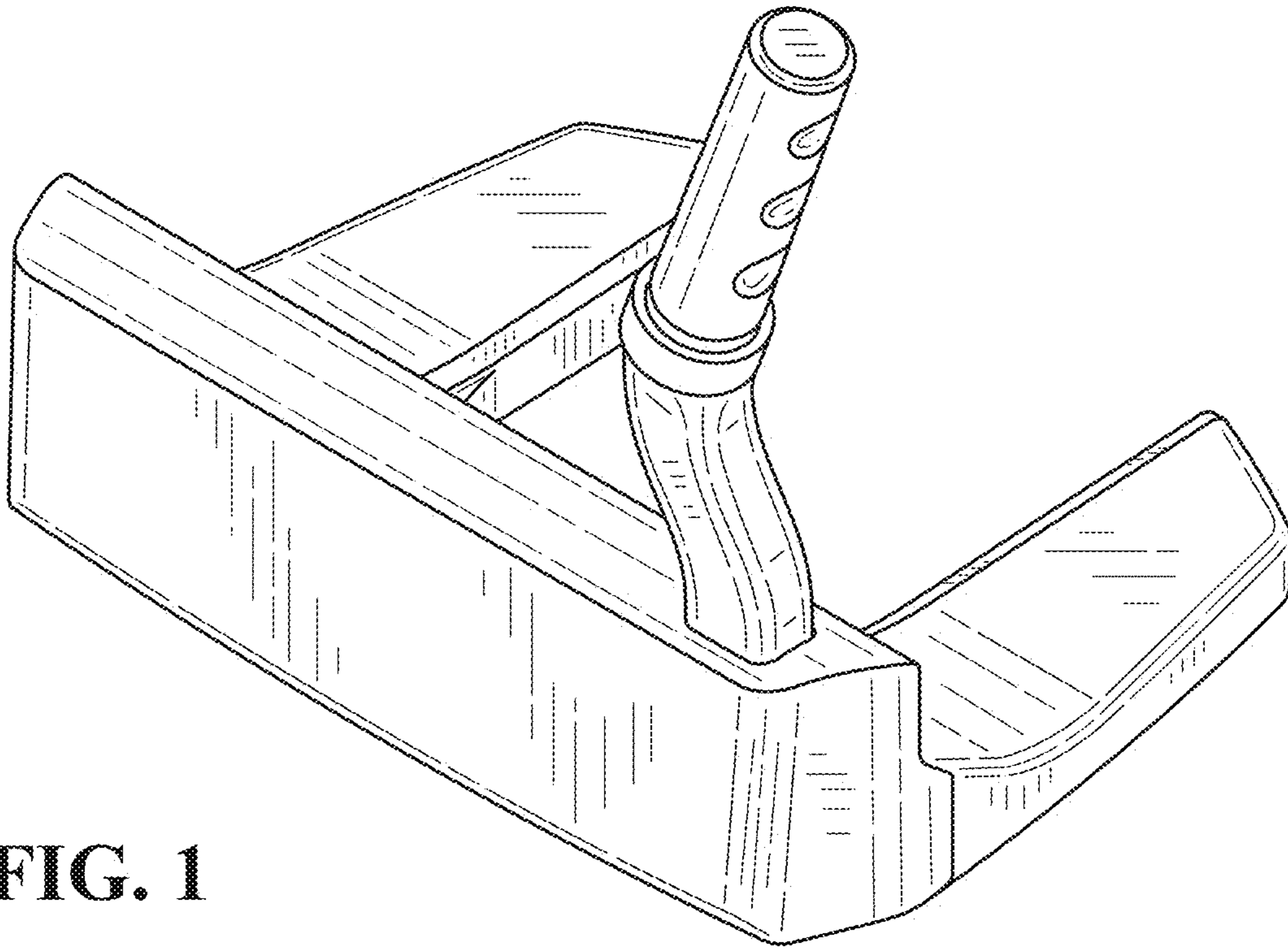


FIG. 1

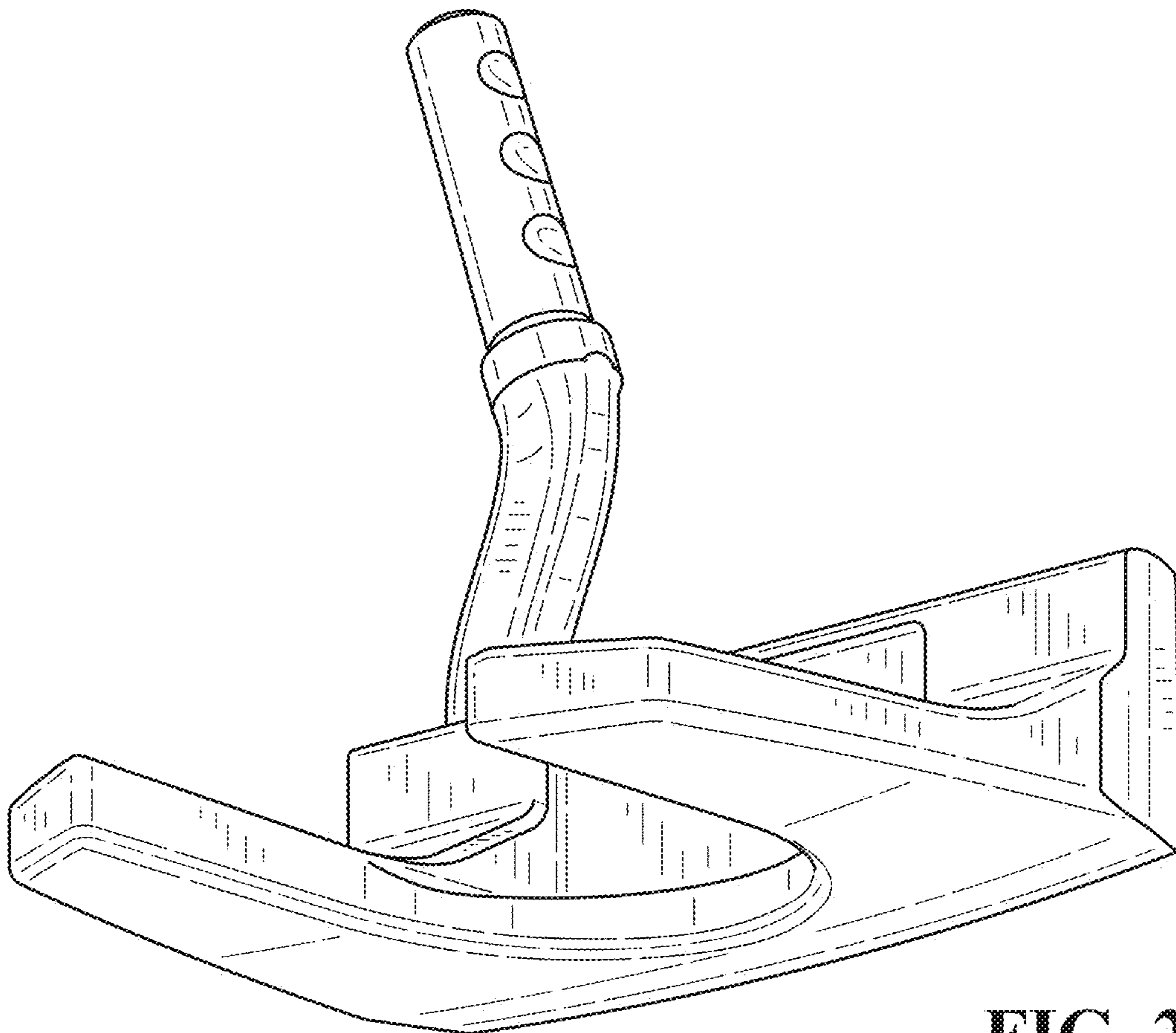


FIG. 2

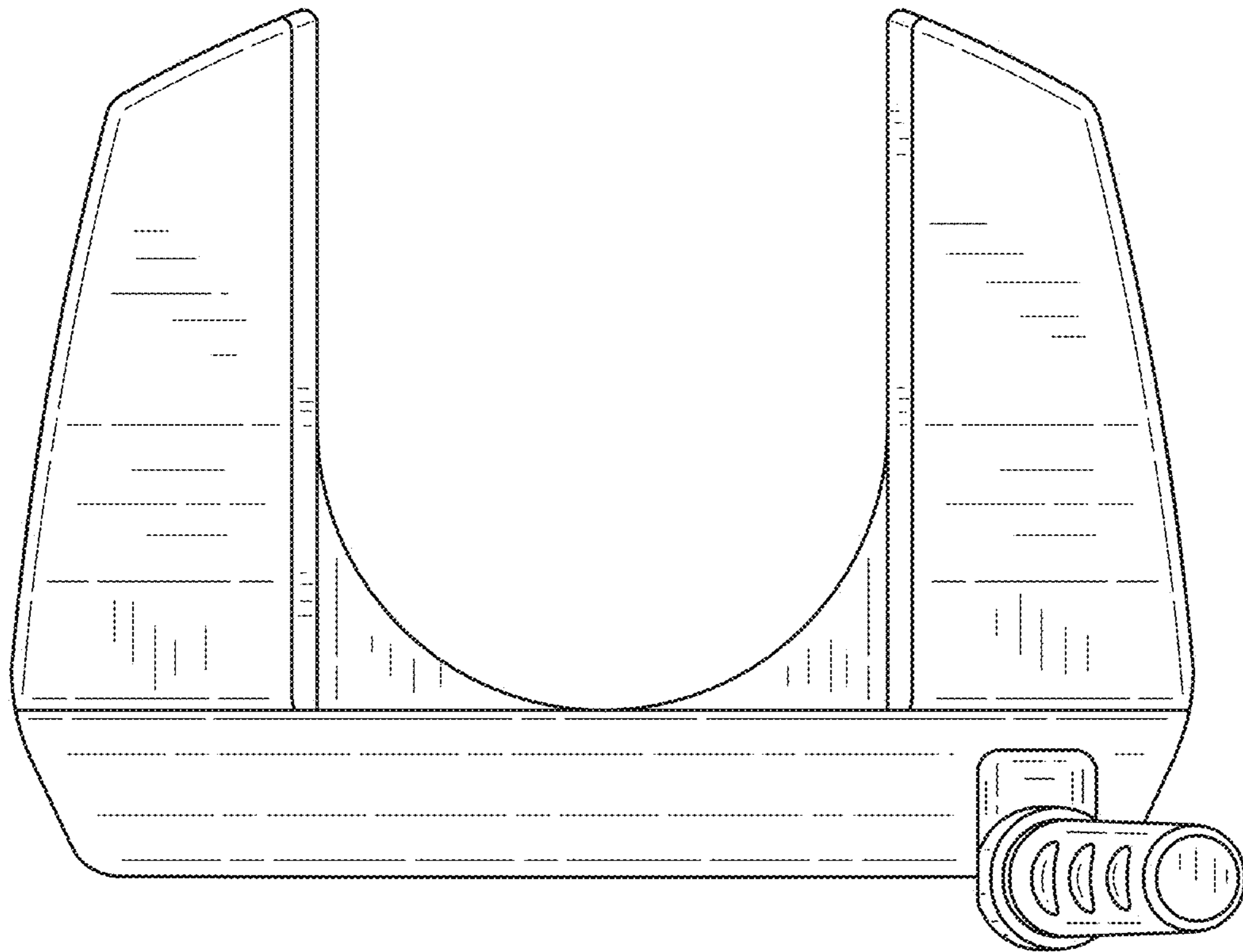


FIG. 3

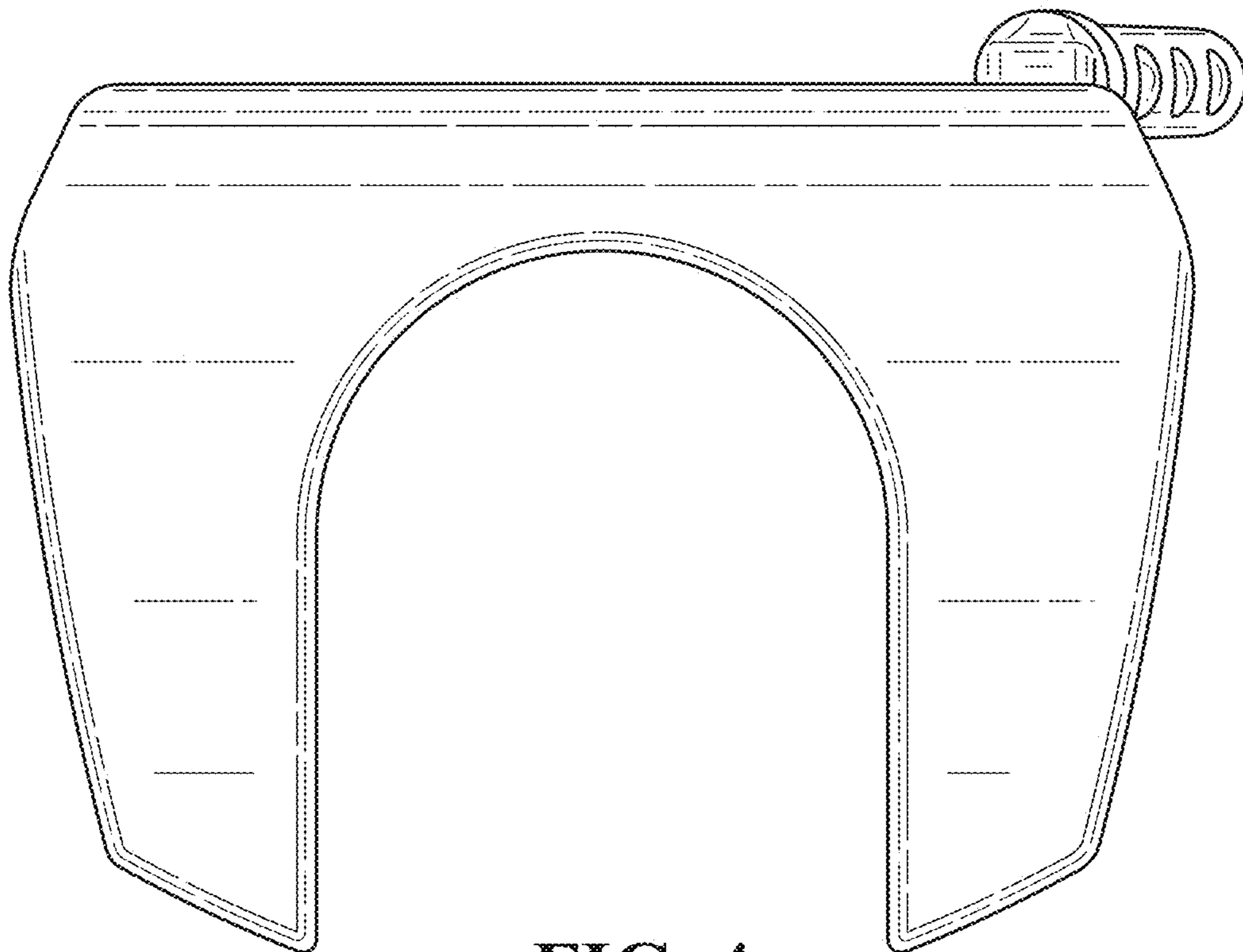


FIG. 4

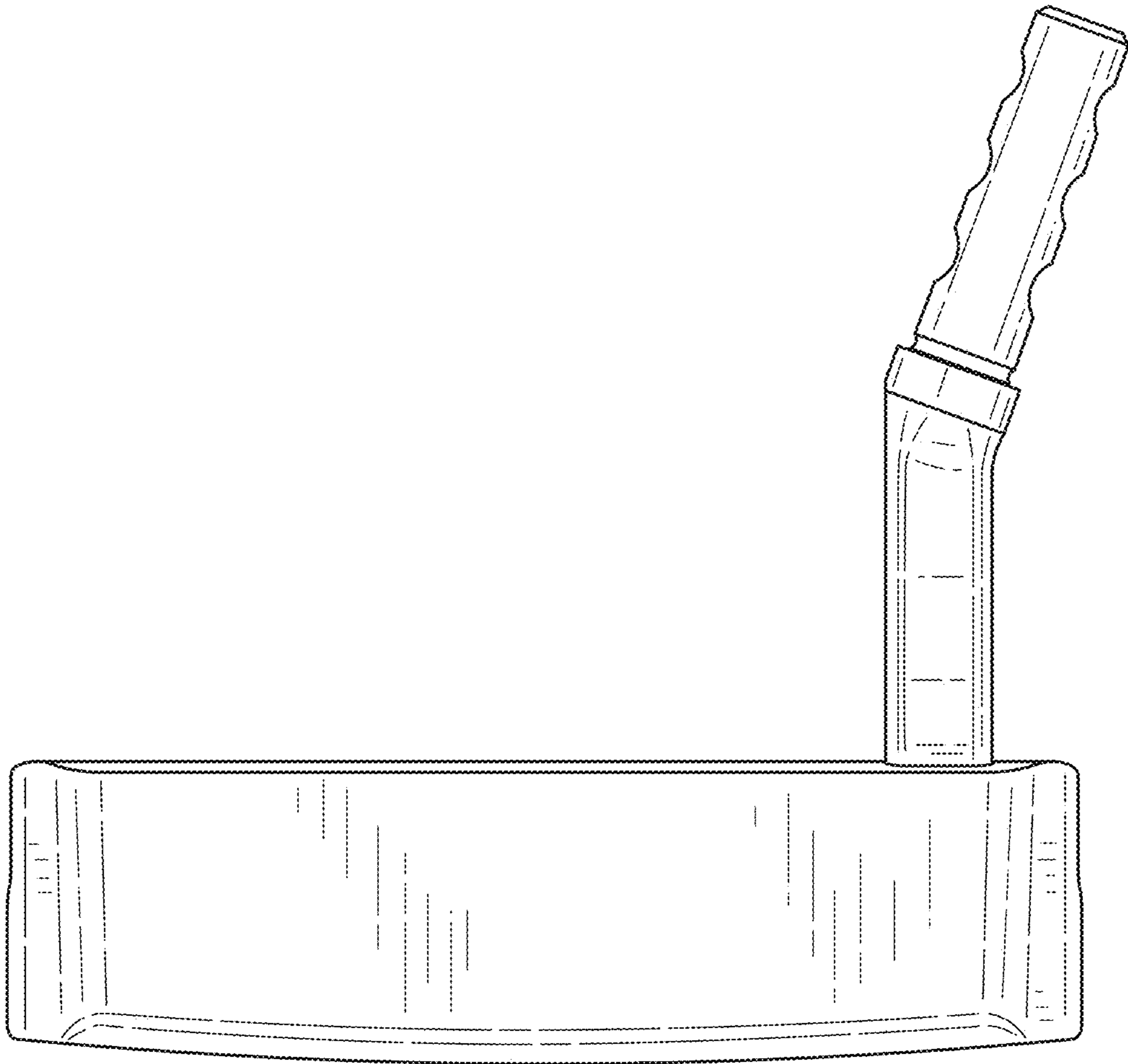


FIG. 5

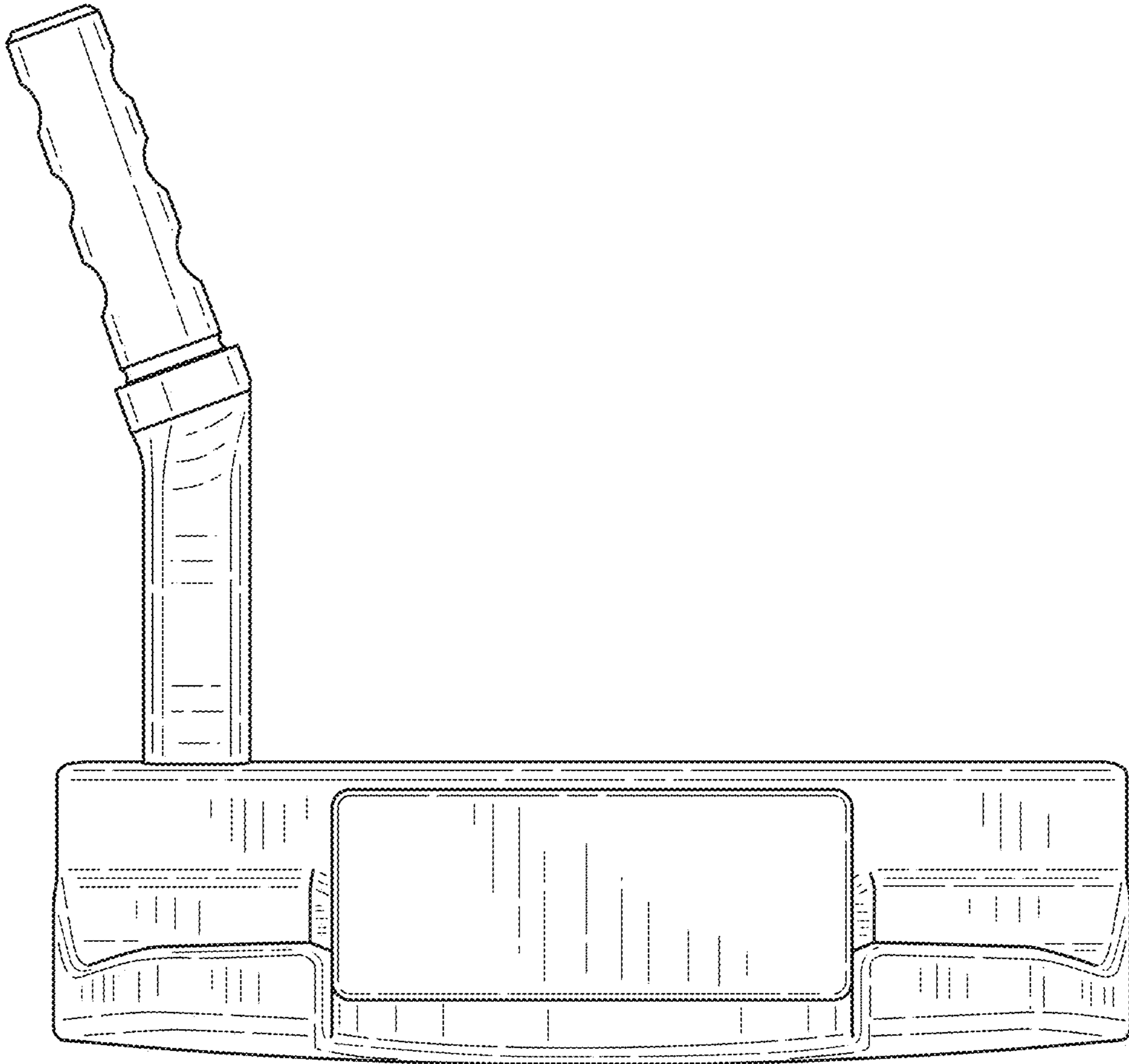


FIG. 6

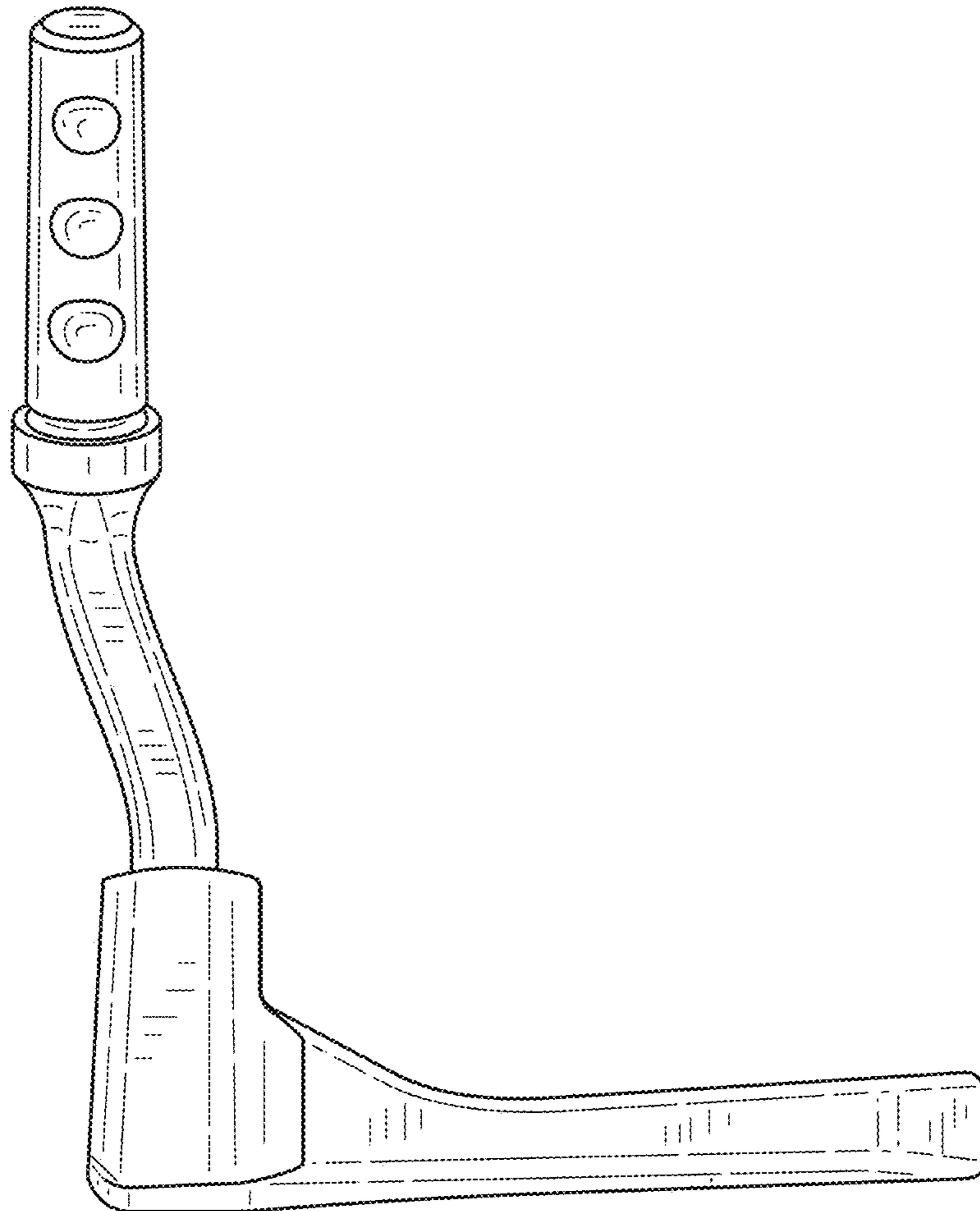


FIG. 7

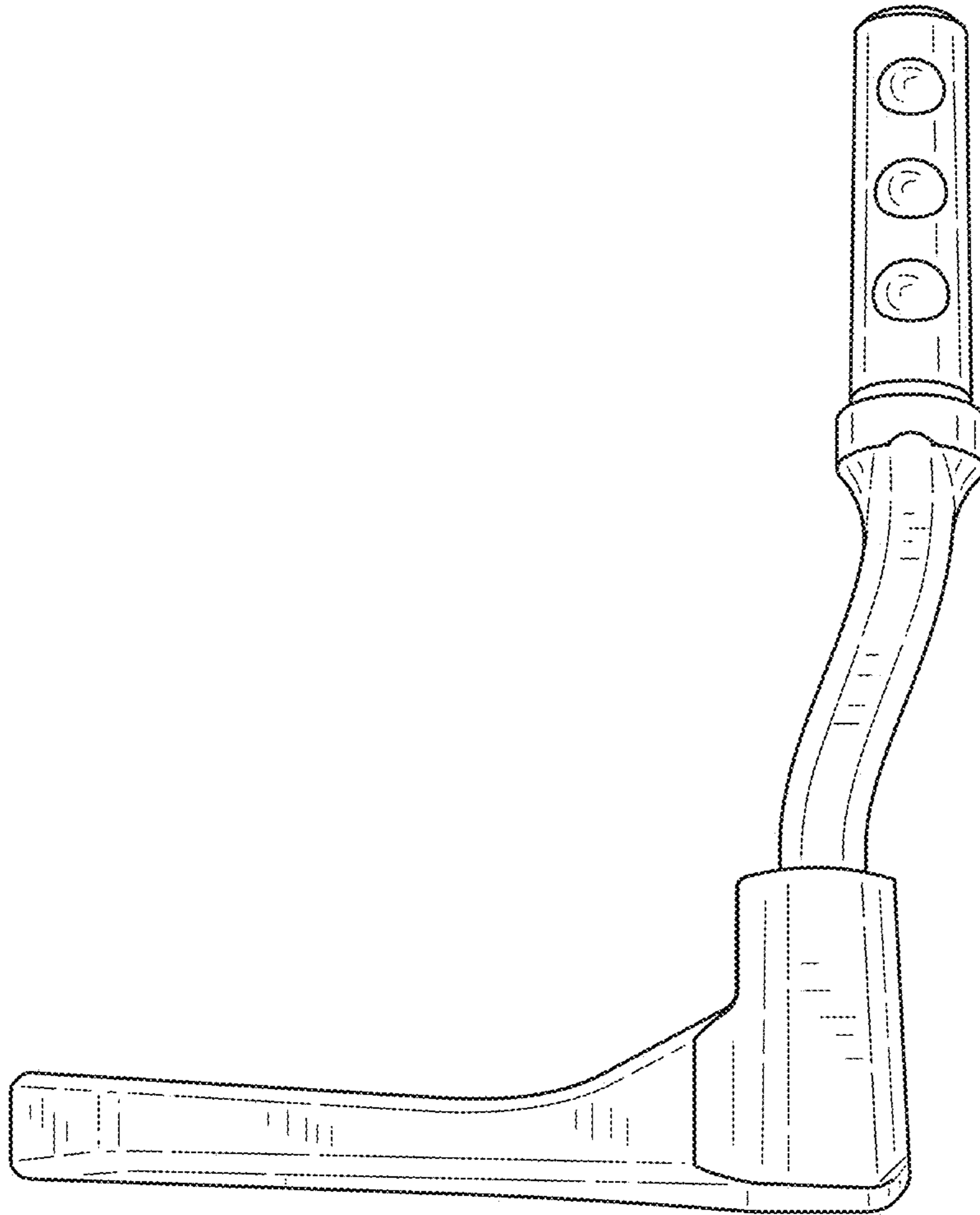


FIG. 8

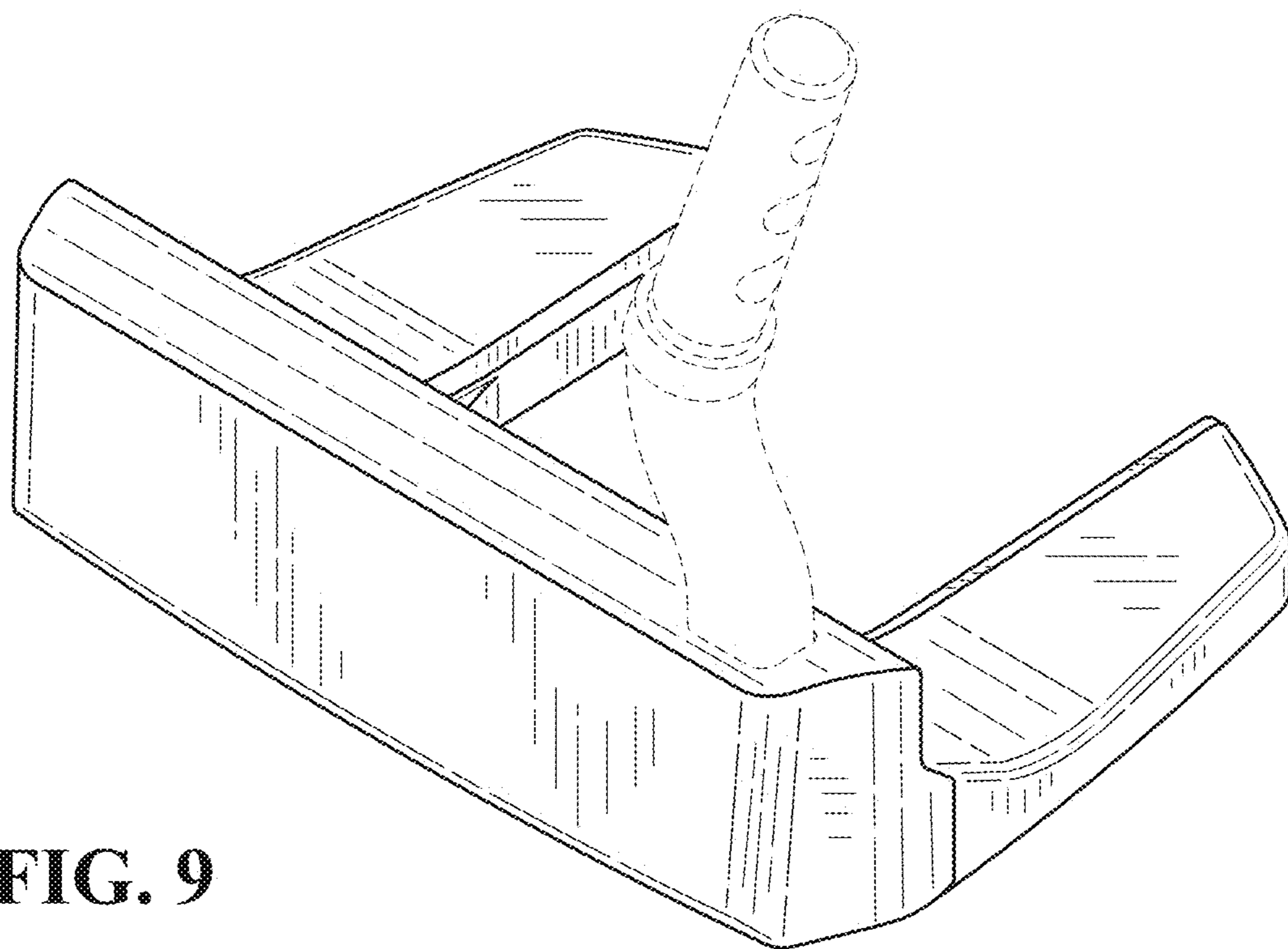


FIG. 9

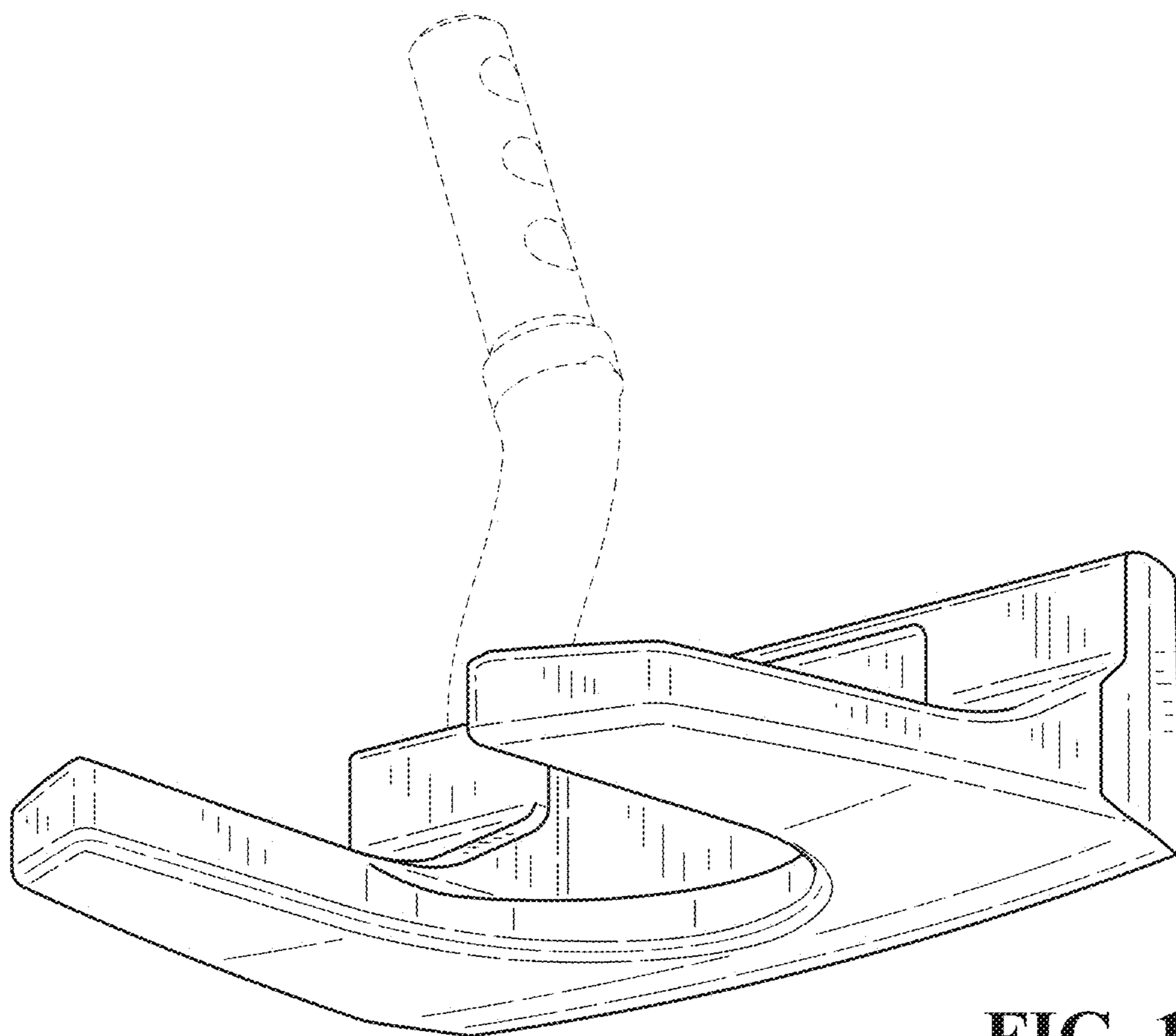


FIG. 10

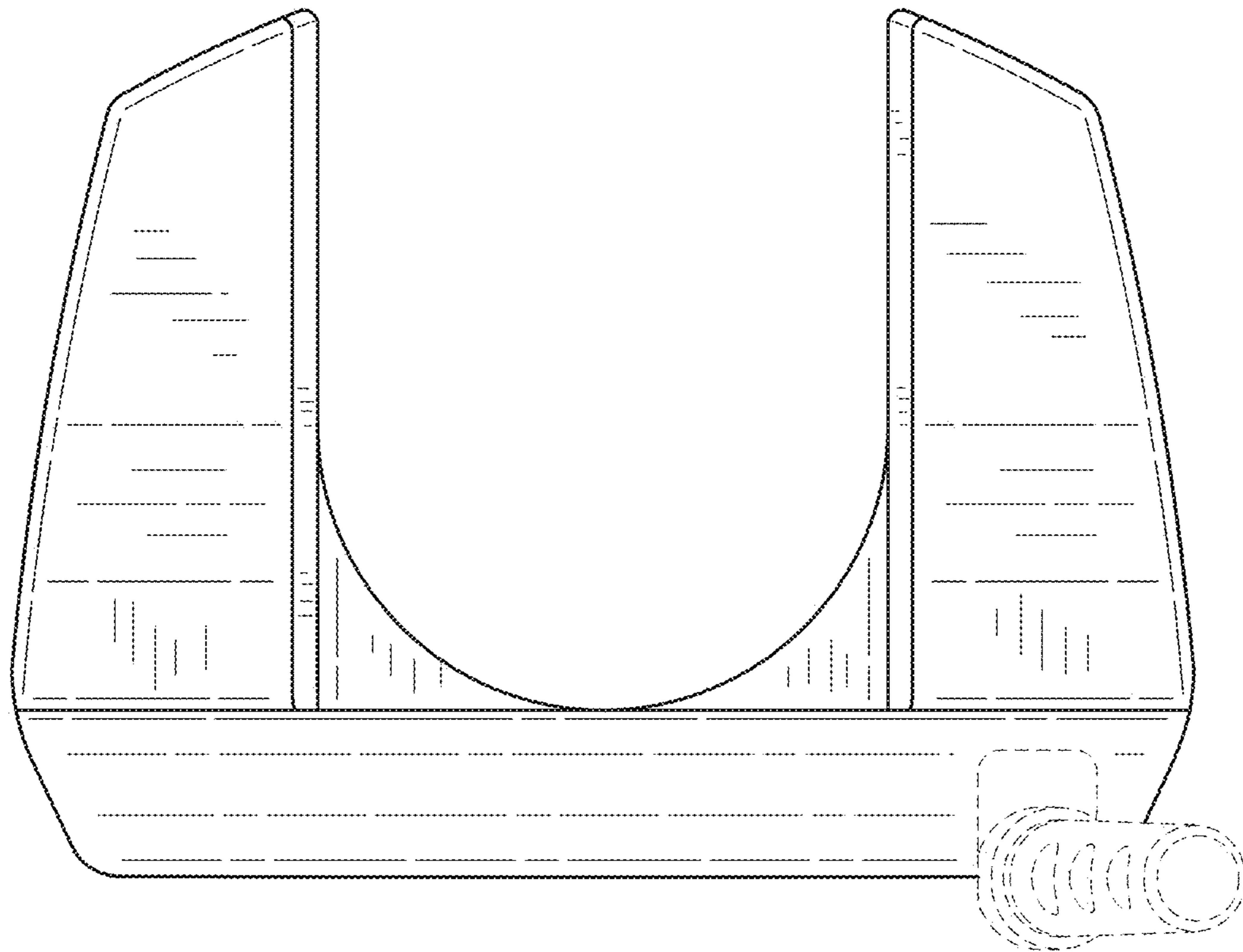


FIG. 11

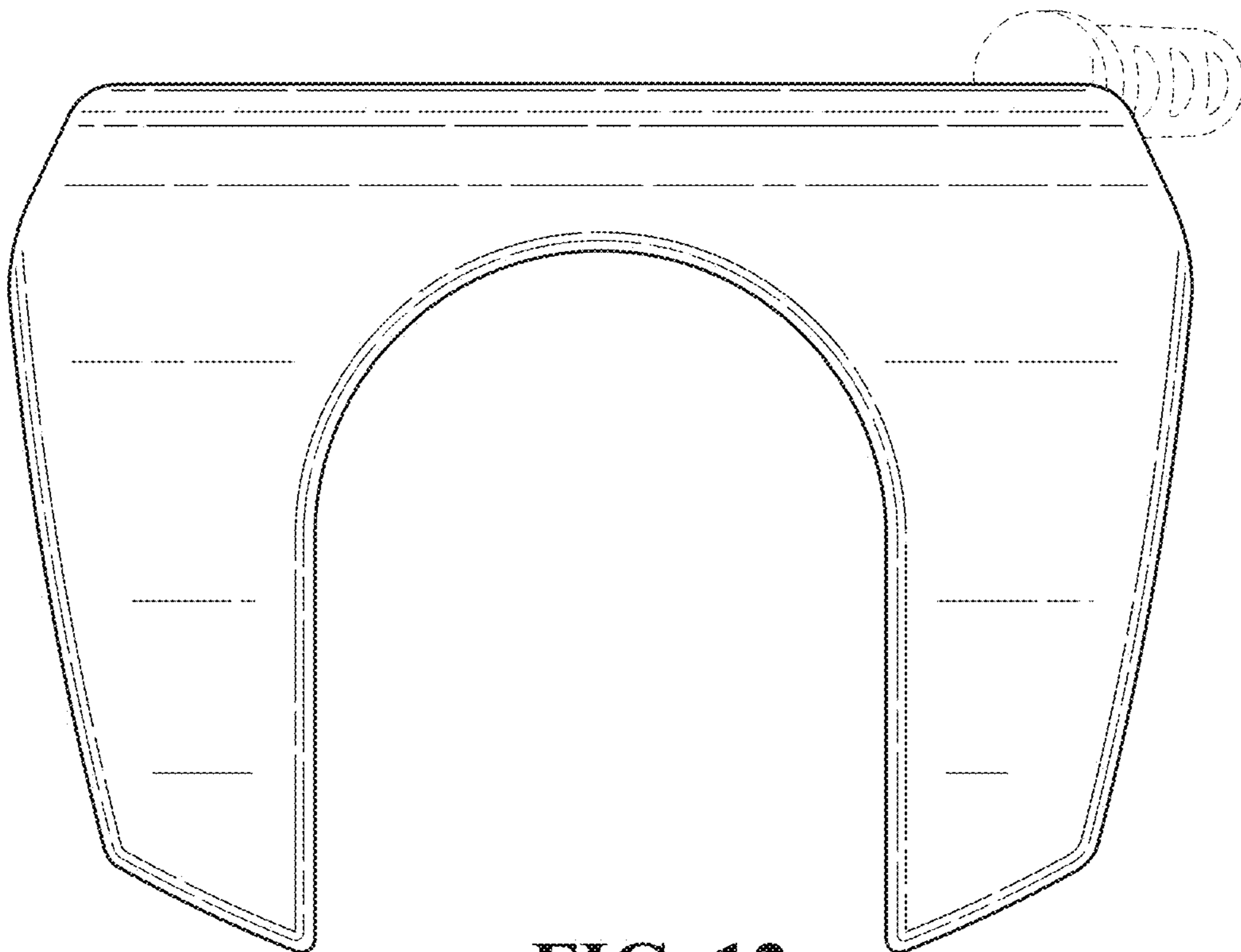


FIG. 12

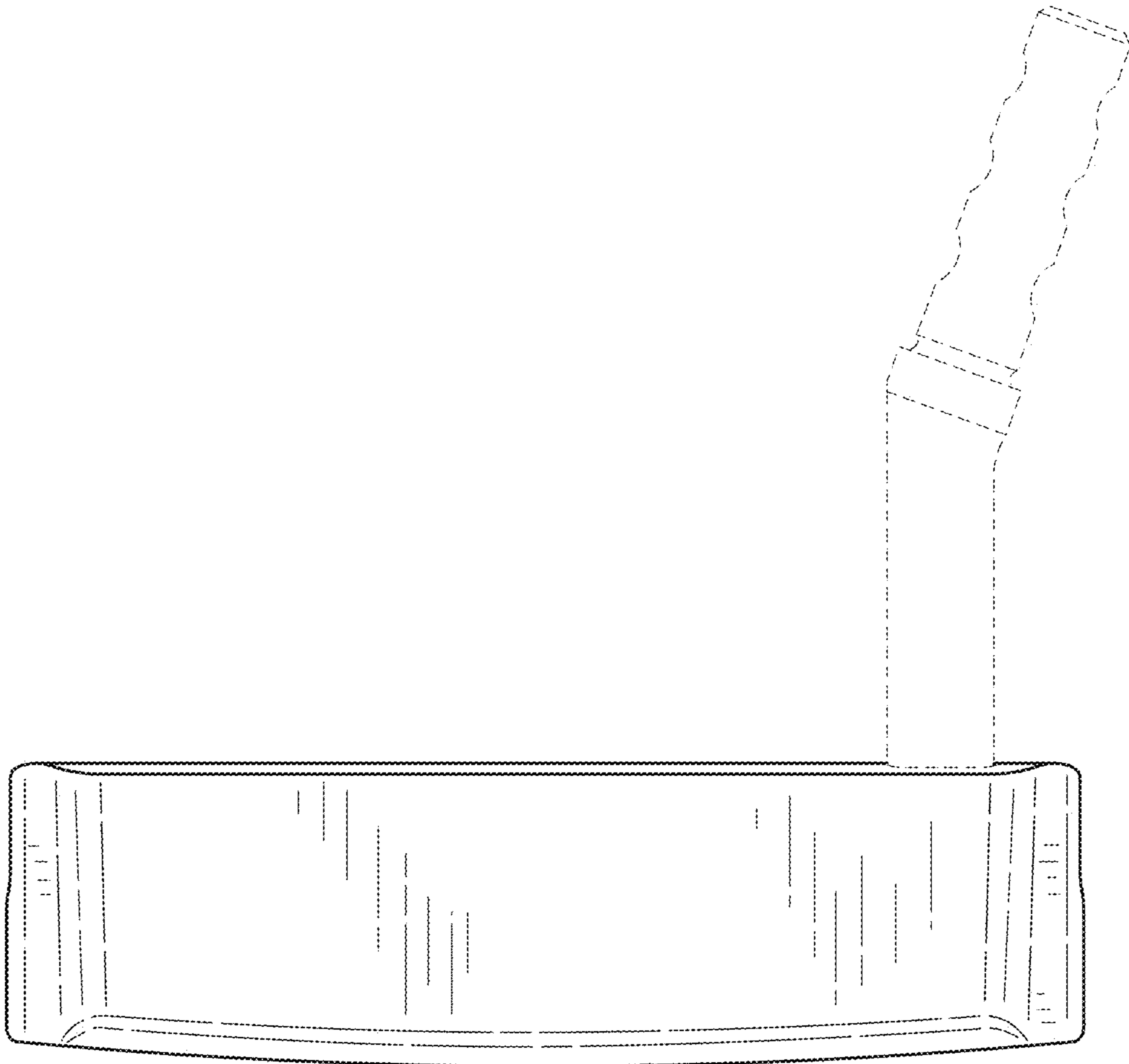


FIG. 13

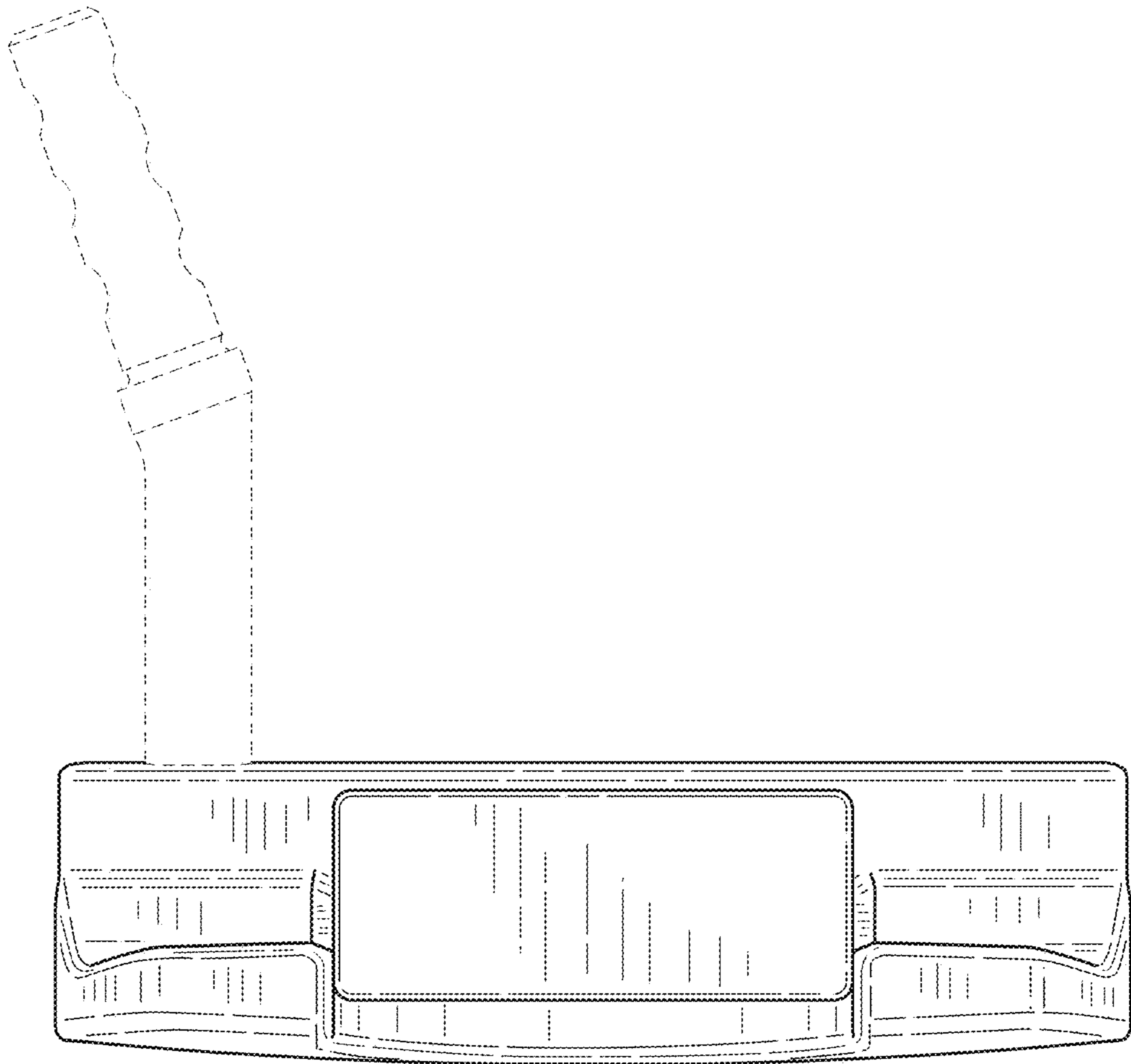


FIG. 14

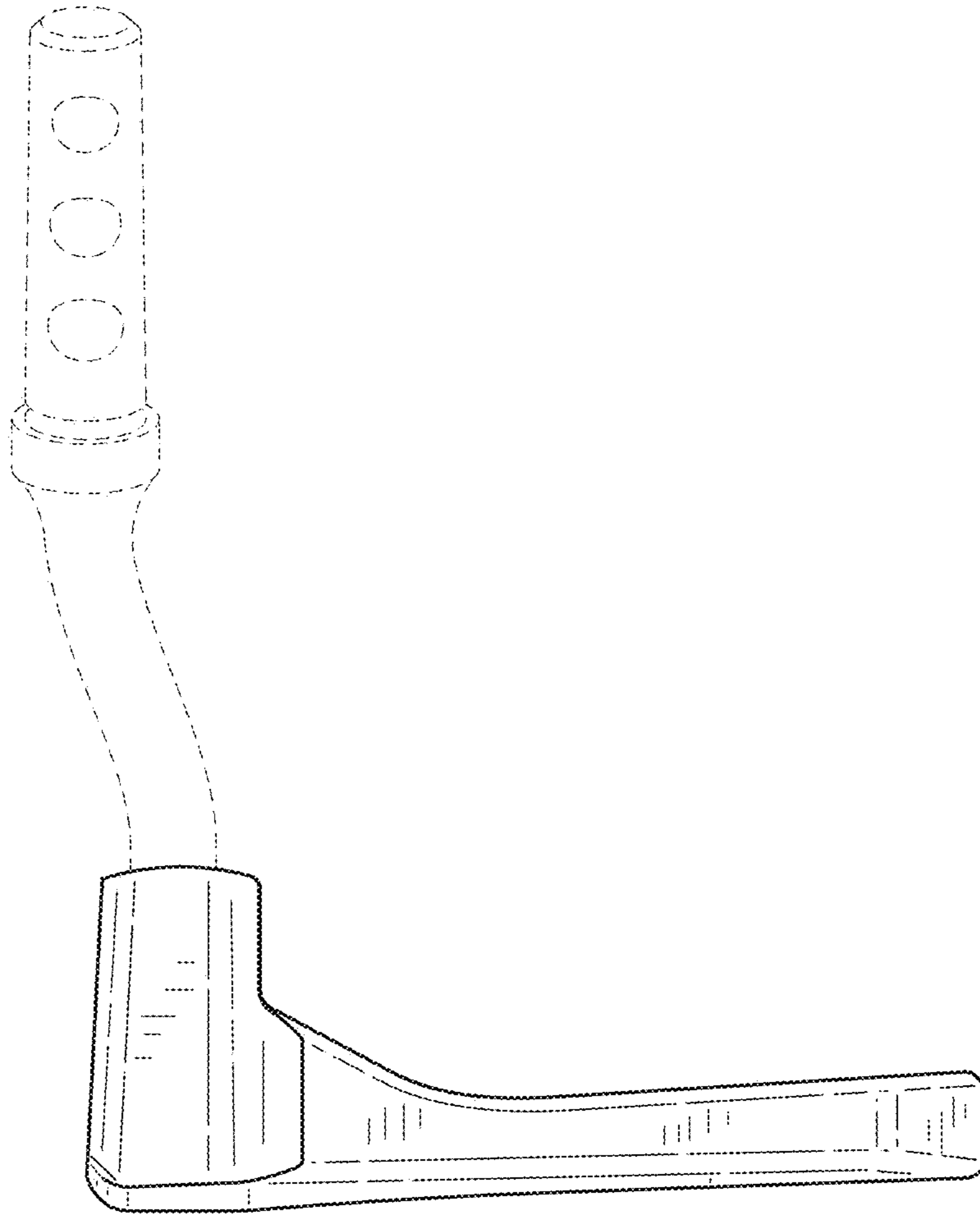


FIG. 15

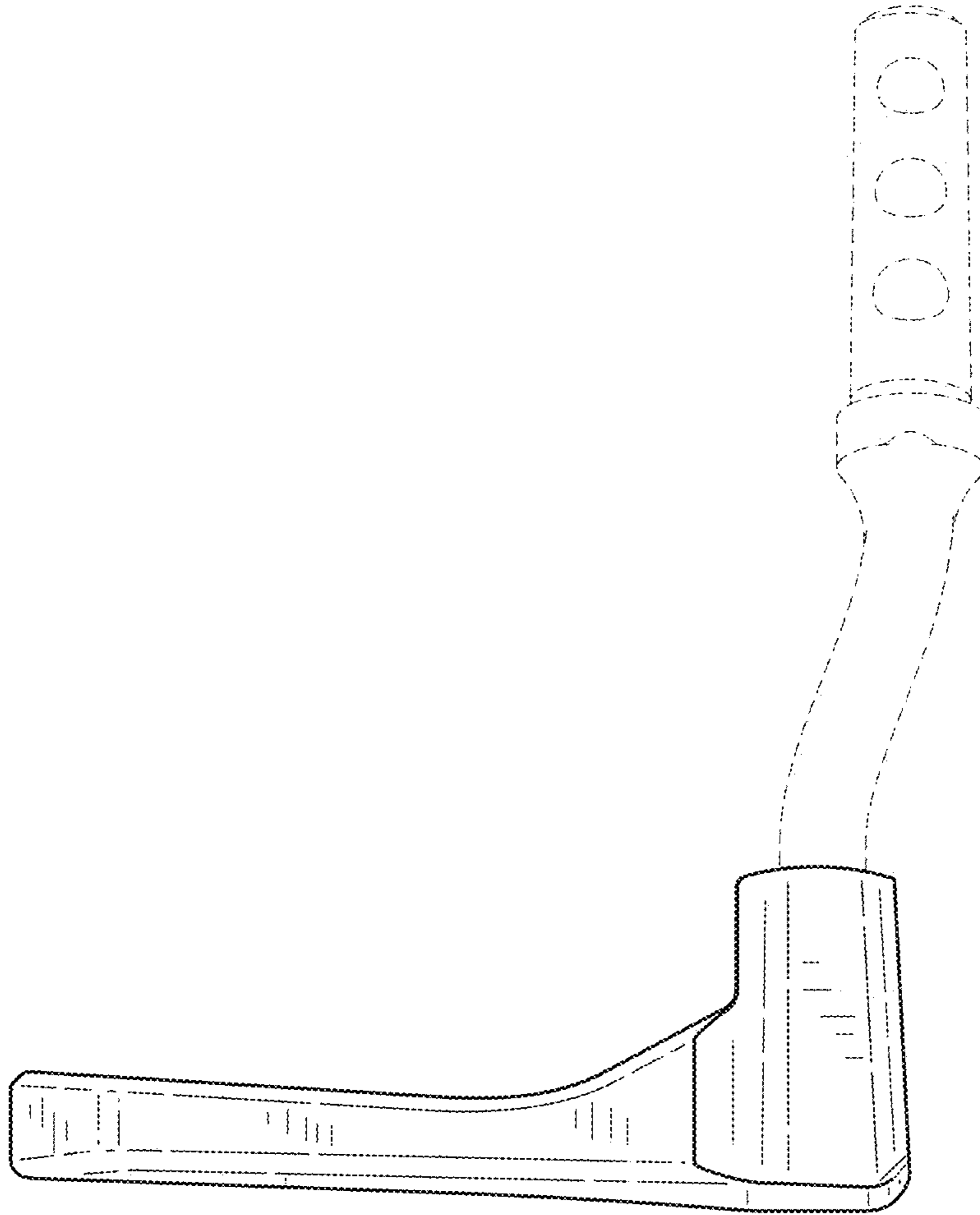


FIG. 16