



US00D882005S

(12) **United States Design Patent**
Chin

(10) **Patent No.:** **US D882,005 S**

(45) **Date of Patent:** **** Apr. 21, 2020**

(54) **BASE FOR BASKETBALL BACKSTOP**

(71) Applicant: **T. K. CHIN COMPANY LTD.**, Taipei
(TW)

(72) Inventor: **Howard Chin**, Taipei (TW)

(73) Assignee: **T. K. CHIN COMPANY LTD.**, Taipei
(TW)

(**) Term: **15 Years**

(21) Appl. No.: **29/613,330**

(22) Filed: **Aug. 9, 2017**

(51) **LOC (12) Cl.** **21-02**

(52) **U.S. Cl.**
USPC **D21/701**

(58) **Field of Classification Search**
USPC D21/302, 701, 703, 704, 781, 702;
273/1.5 R, 26 A, 394, 396; 473/479
CPC A63B 63/00; A63B 63/08; A63B 63/083
See application file for complete search history.

(56) **References Cited**

U.S. PATENT DOCUMENTS

- 4,588,188 A * 5/1986 Mahoney A63B 63/083
473/481
- D336,123 S * 6/1993 Lamberti D21/703
- D351,879 S * 10/1994 Matherne D21/702
- D364,354 S * 11/1995 Nunes D10/6
- D366,507 S * 1/1996 van Nimwegen D21/703
- D369,633 S * 5/1996 Taylor D21/703

- 5,839,982 A * 11/1998 Hying A63B 63/083
473/481
- D404,447 S * 1/1999 Wiedner 206/315.1
- D410,714 S * 6/1999 Sherwood D21/701
- D438,920 S * 3/2001 Matteucci D21/701
- D698,875 S * 2/2014 Childs D21/662
- 8,992,350 B2 * 3/2015 Green A63B 63/083
473/484
- 9,545,552 B1 * 1/2017 Buchweitz, III A63B 63/083
- D822,295 S * 7/2018 Woods D30/160

* cited by examiner

Primary Examiner — Kevin K Rudzinski

Assistant Examiner — Mehri F Bajoul

(74) *Attorney, Agent, or Firm* — Browdy and Neimark,
P.L.L.C.

(57) **CLAIM**

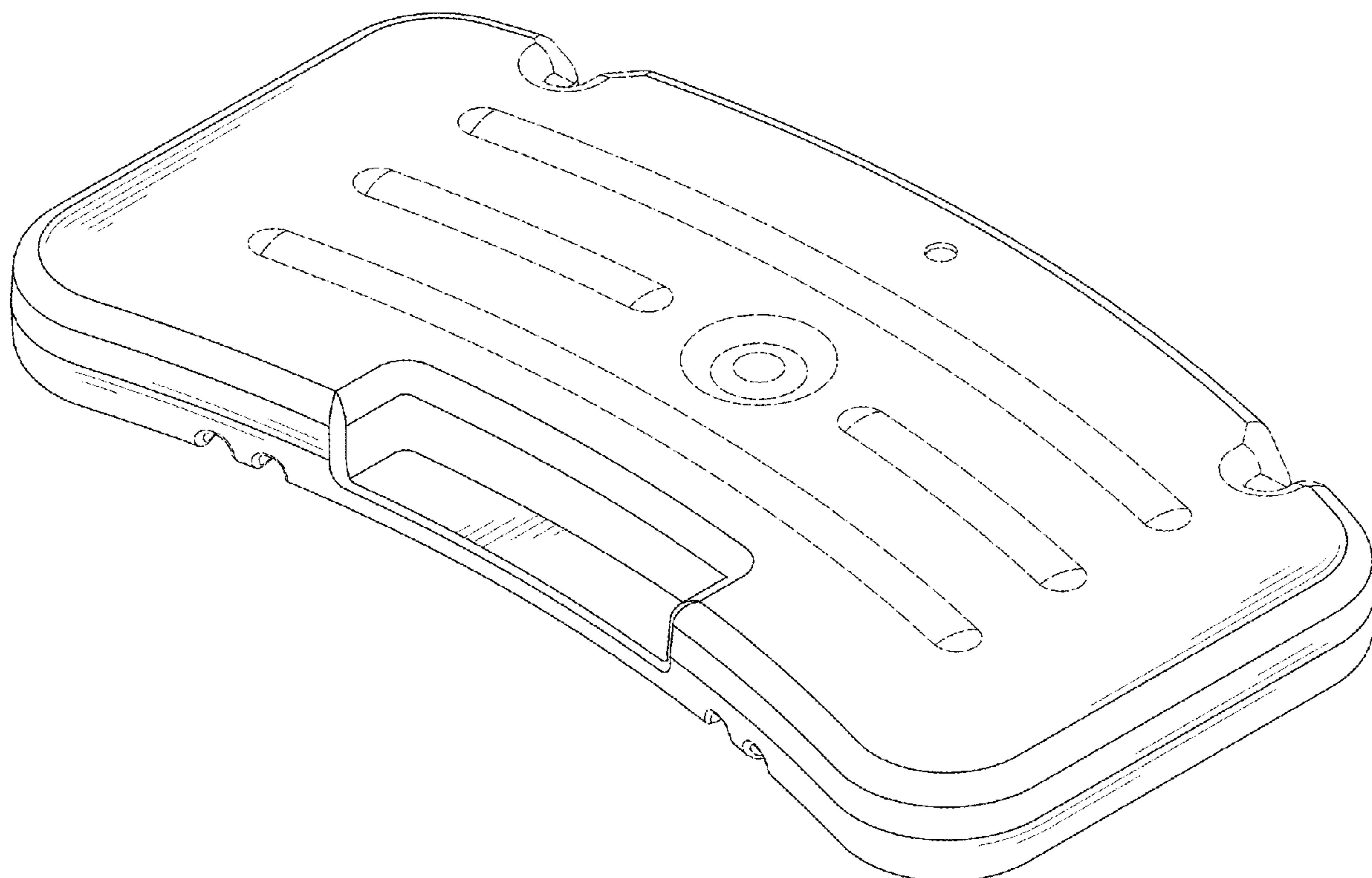
The ornamental design for a base for basketball backstop, as shown and described.

DESCRIPTION

FIG. 1 is a perspective view of a base for basketball backstop showing my new design;
FIG. 2 is a front view thereof;
FIG. 3 is a rear view thereof;
FIG. 4 is a left side view thereof;
FIG. 5 is a right side view thereof;
FIG. 6 is a top view thereof; and,
FIG. 7 is a bottom view thereof.

The broken lines shown in the drawings depict portions of the base for basketball backstop that form no part of the claimed design.

1 Claim, 7 Drawing Sheets



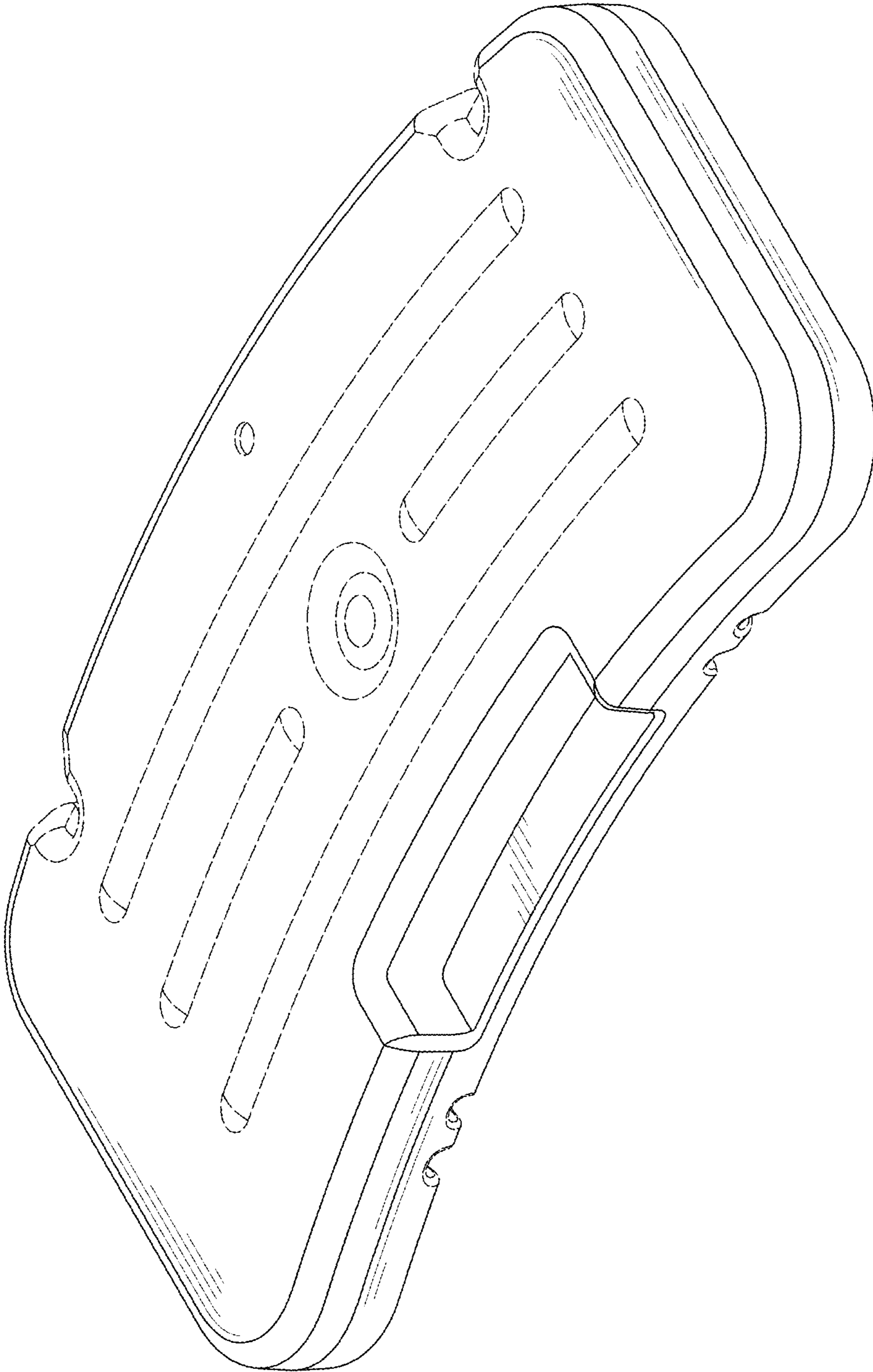


FIG. 1

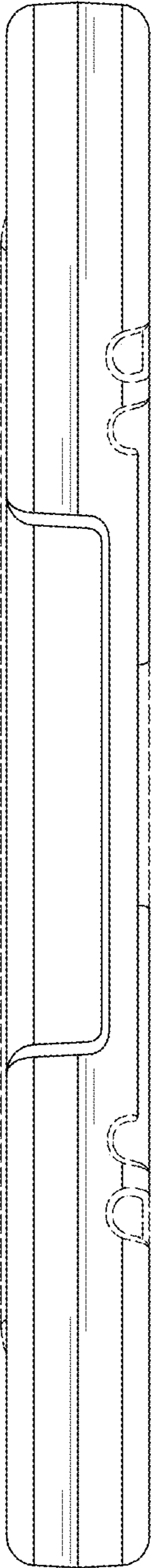


FIG. 2

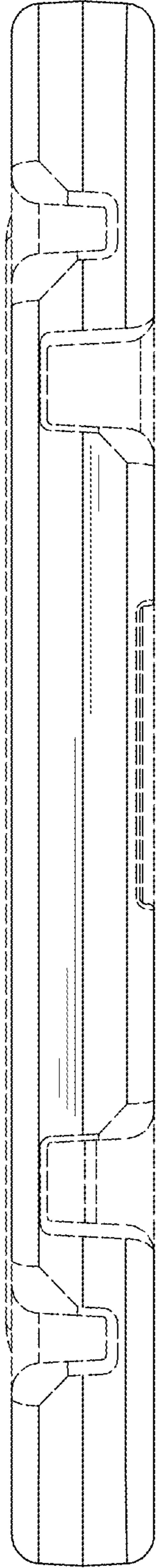


FIG. 3

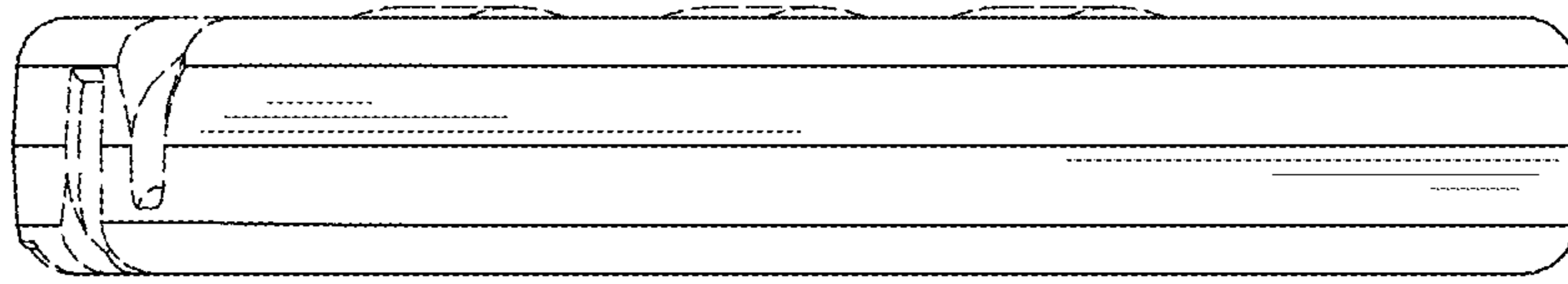


FIG. 4

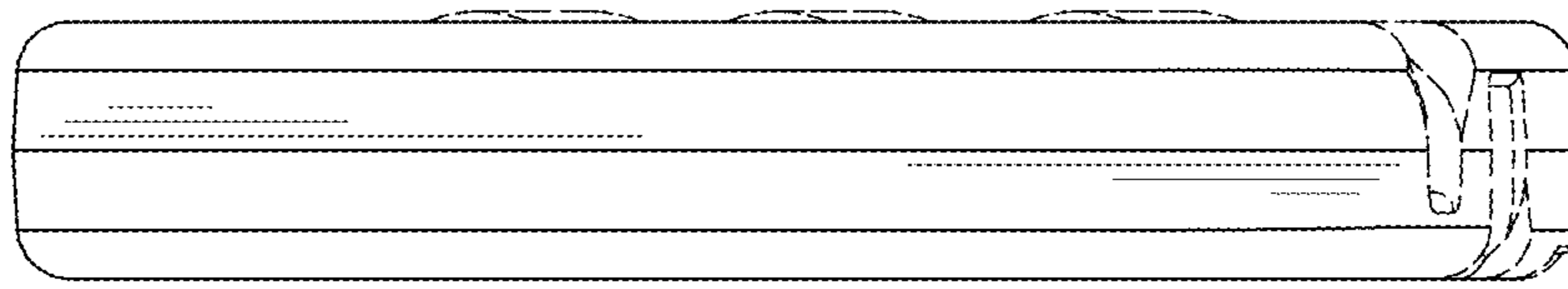


FIG. 5

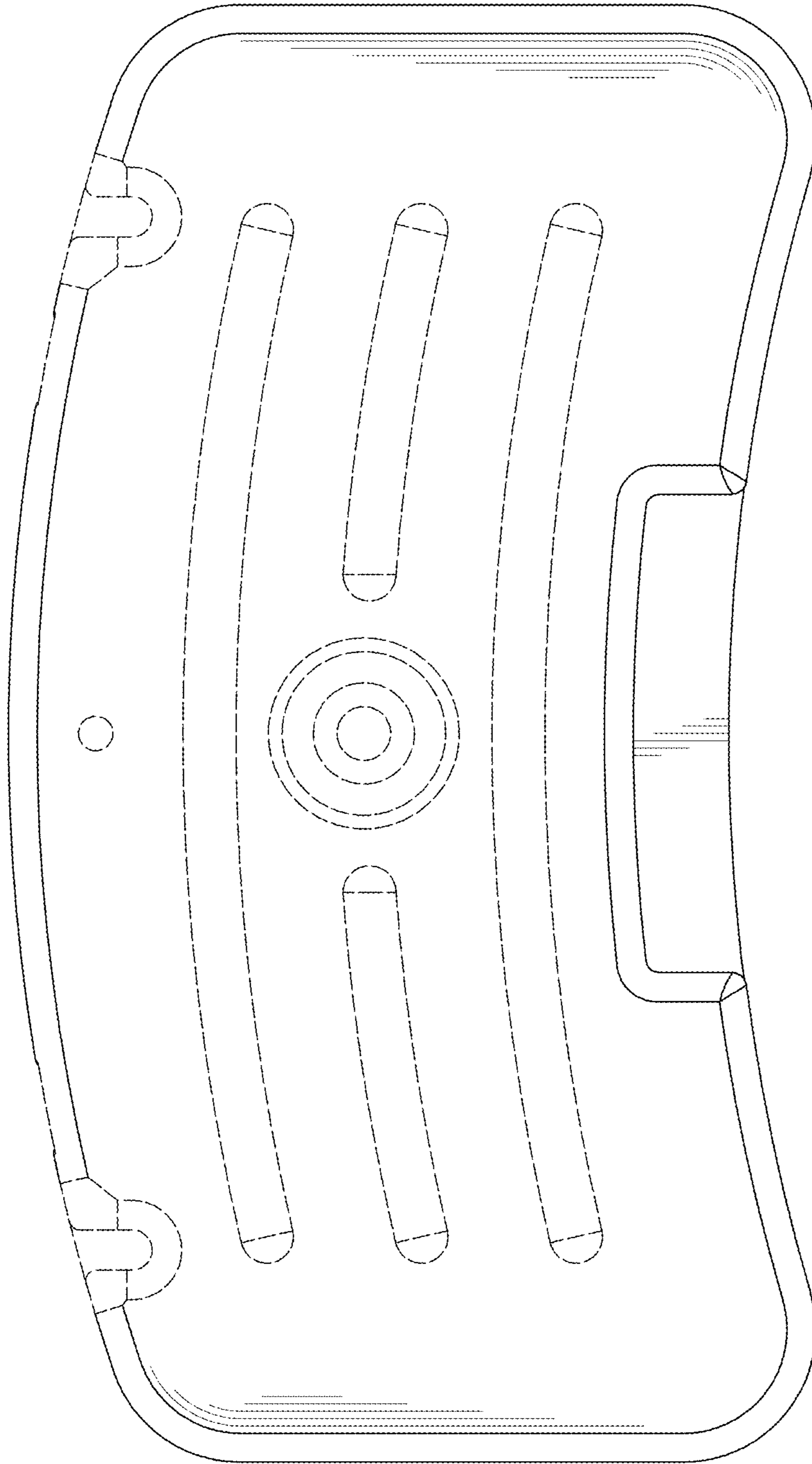


FIG. 6

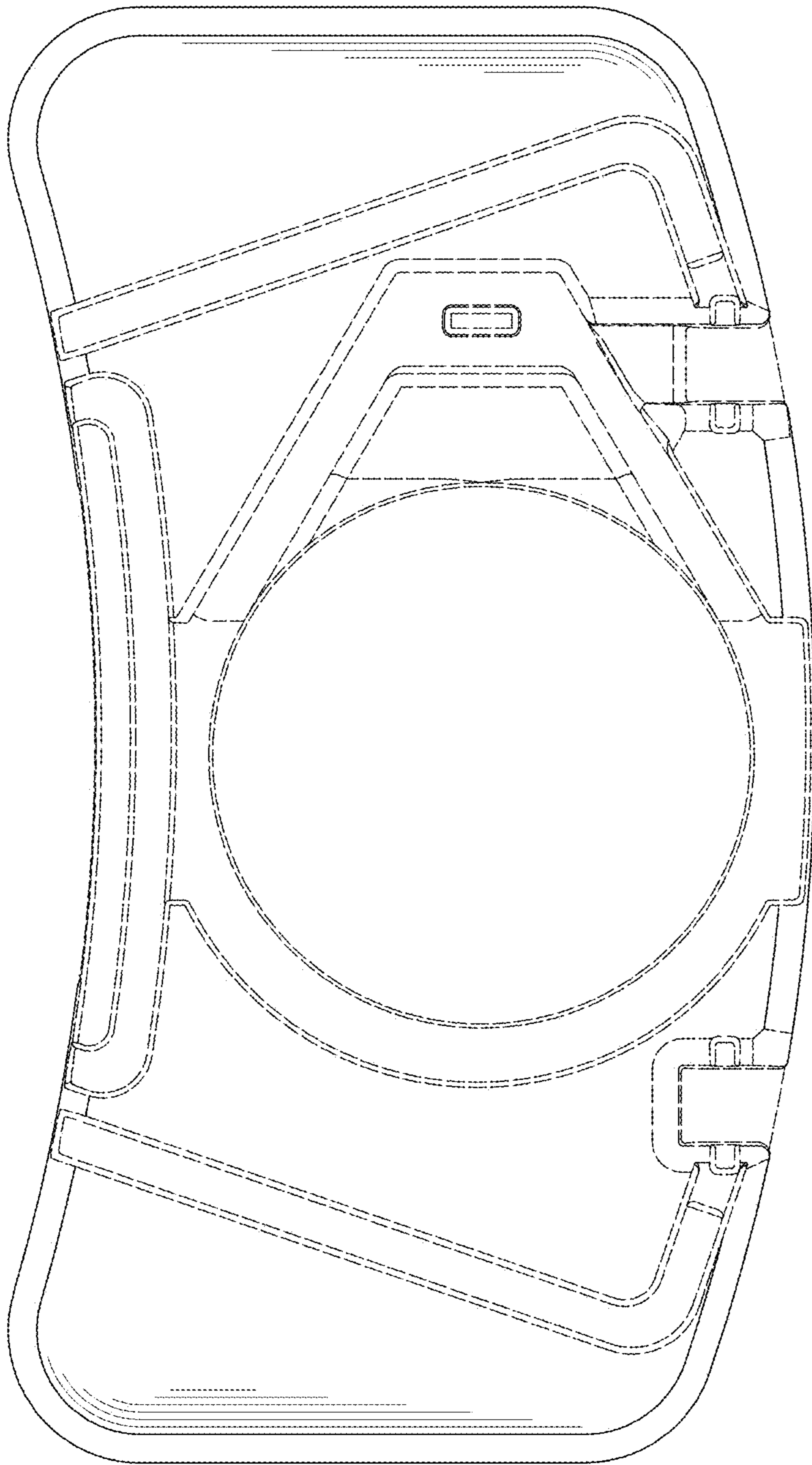


FIG. 7