



US00D882004S

(12) **United States Design Patent** (10) **Patent No.:** **US D882,004 S**
Hernandez (45) **Date of Patent:** **** Apr. 21, 2020**

(54) **HANDLE FOR EXERCISE EQUIPMENT**

(71) Applicant: **Reymundo Hernandez**, El Paso, TX
(US)

(72) Inventor: **Reymundo Hernandez**, El Paso, TX
(US)

(**) Term: **15 Years**

(21) Appl. No.: **29/659,787**

(22) Filed: **Aug. 13, 2018**

(51) **LOC (12) Cl.** **21-02**

(52) **U.S. Cl.**
USPC **D21/694**

(58) **Field of Classification Search**
USPC D21/662, 671, 673, 679, 681, 682, 691,
D21/692; D8/83, 107, 300, 303, 310,
D8/311, 321; D12/114; 482/99
CPC A63B 21/4033; A63B 2022/067; A63B
23/1218
See application file for complete search history.

(56) **References Cited**

U.S. PATENT DOCUMENTS

2,509,810	A *	5/1950	Core, Jr.	A63B 15/00	482/108
2,937,691	A	5/1960	Horgan et al.			
3,006,646	A *	10/1961	Nanni	A63B 21/0624	482/109
D230,723	S	3/1974	Cowan			
D262,959	S	2/1982	Cowan			
D280,224	S	8/1985	Wilson			
4,772,016	A	9/1988	Manion			
4,852,874	A	8/1989	Sleichter, III et al.			
5,135,216	A	8/1992	Bingham et al.			
5,261,867	A	11/1993	Chen			
D346,632	S	5/1994	Castellanos			
D357,951	S	5/1995	Chen			
D361,261	S	8/1995	Amburgey et al.			

D361,927	S *	9/1995	Chuen-Hong	D8/107
D368,501	S	4/1996	Woodruff		
D374,518	S	10/1996	McIntyre		
D377,745	S *	2/1997	Laun	D8/107
D378,729	S *	4/1997	Chang	D8/83
5,662,563	A *	9/1997	Maerzke	A63B 21/0004
					482/125

(Continued)

Primary Examiner — Cynthia Ramirez

Assistant Examiner — Michael A Maharajh

(74) *Attorney, Agent, or Firm* — Dunlap Bennett & Ludwig PLLC

(57) **CLAIM**

The ornamental design for a handle for exercise equipment, as shown and described.

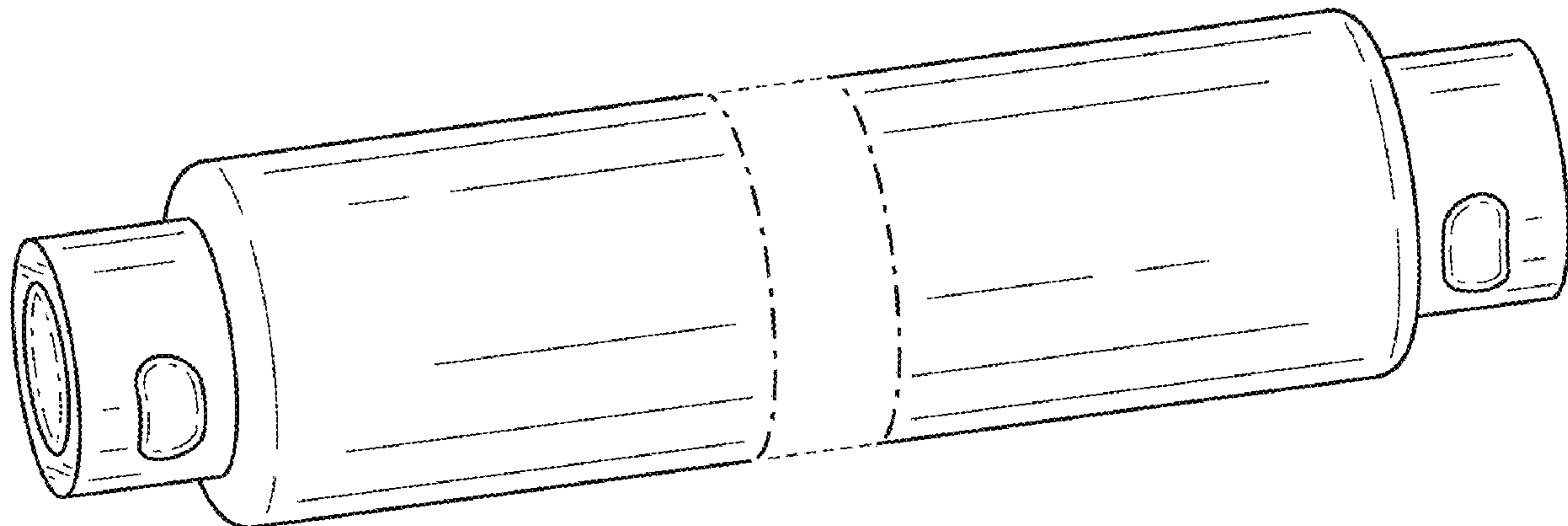
DESCRIPTION

FIG. 1 is a front perspective view of a handle for exercise equipment, showing my new design; FIG. 2 is a front elevation view thereof; FIG. 3 is a rear elevation view thereof; FIG. 4 is a left elevation view thereof, the right elevation view being a mirror image thereof; FIG. 5 is a top plan view thereof; FIG. 6 is a bottom plan view thereof; and, FIG. 7 is a front perspective view of the handle for exercise equipment shown in use.

The evenly-sized broken lines showing exercise equipment in FIG. 7 depicts environmental subject matter that forms no part of the claimed design, while the remaining evenly-sized broken lines shown in the drawings depict portions of the handle for exercise equipment that form no part of the claimed design.

The dash-dot broken lines in the drawings depict the boundary of the claimed invention and it is understood that the claim extends to the boundary, which form no part of the claimed design.

1 Claim, 3 Drawing Sheets



(56)

References Cited

U.S. PATENT DOCUMENTS

5,873,805	A *	2/1999	Ayres	A63B 21/0004				
					482/122				
D429,990	S *	8/2000	Kunkler	D8/303				
D452,141	S	12/2001	Liu						
D453,463	S *	2/2002	Chang	D8/107				
D519,315	S *	4/2006	Coudurier	D7/394				
D527,776	S *	9/2006	Willardson	D21/694				
D546,402	S *	7/2007	Sonnier	D21/662				
D579,990	S *	11/2008	Dalcourt	D21/662				
7,569,003	B1	8/2009	Huffman						
D615,605	S *	5/2010	Frasco	D21/682				
D619,626	S	7/2010	Mihashi et al.						
D621,424	S	8/2010	Mihashi et al.						
D621,425	S	8/2010	Mihashi et al.						
D621,680	S *	8/2010	Hsu	D8/303				
D621,854	S	8/2010	Mihashi et al.						
D634,376	S *	3/2011	Saffaie	D21/684				
D637,470	S *	5/2011	Vigil	D8/107				
D650,873	S	12/2011	Terry						
D666,257	S *	8/2012	Seraydarian	D21/662				
D667,899	S *	9/2012	Bronston	D21/662				
D669,545	S *	10/2012	Miller, Jr.	D21/662				
D688,338	S *	8/2013	Bisson	D21/662				
D694,348	S *	11/2013	Rankin	D21/679				
D699,087	S	2/2014	Yates						
D704,779	S *	5/2014	Boatwright	D21/686				
D733,815	S	7/2015	Gustafson						
D739,484	S *	9/2015	Kaye	D21/694				
D752,163	S *	3/2016	Eder	D21/694				
D777,850	S *	1/2017	Kaye	D21/692				
D778,378	S *	2/2017	Schultz	D21/694				
D792,533	S *	7/2017	Flick	D21/694				
D794,728	S	8/2017	Thomson						
D798,972	S	10/2017	Wallace						
D806,811	S	1/2018	Best et al.						
D807,147	S *	1/2018	Renault	D8/303				
D820,063	S	6/2018	Hetrick et al.						
D823,405	S *	7/2018	Roepke	D21/694				
D829,835	S *	10/2018	Yu	D21/672				
D842,947	S *	3/2019	Kuka	D21/694				
D845,407	S *	4/2019	Sorin	D21/694				
D846,667	S *	4/2019	Yu	D21/694				
D856,447	S *	8/2019	Dunahay	D21/684				
D856,448	S *	8/2019	Chuang	D21/694				
D857,132	S *	8/2019	Dube	D21/694				
D858,247	S *	9/2019	Papafagos	D8/303				
D863,022	S *	10/2019	Papafagos	D8/303				
D867,100	S *	11/2019	Papafagos	D8/303				
2008/0156139	A1 *	7/2008	Lai	B62K 21/26				
					74/551.9				
2012/0088639	A1 *	4/2012	Dalcourt	A63B 21/0603				
					482/93				
2012/0283072	A1 *	11/2012	Jones	A63B 21/0602				
					482/93				
2015/0126342	A1 *	5/2015	Kaye	A63B 21/0442				
					482/121				
2015/0126347	A1 *	5/2015	Kaye	A63B 21/0442				
					482/129				
2015/0133276	A1 *	5/2015	Kaye	A63B 21/0557				
					482/129				
2015/0190678	A1 *	7/2015	Golsby	A63B 21/002				
					482/4				
2017/0216650	A1 *	8/2017	Simmons	A63B 21/055				
2019/0314671	A1 *	10/2019	Abbott	F16B 2/12				

* cited by examiner

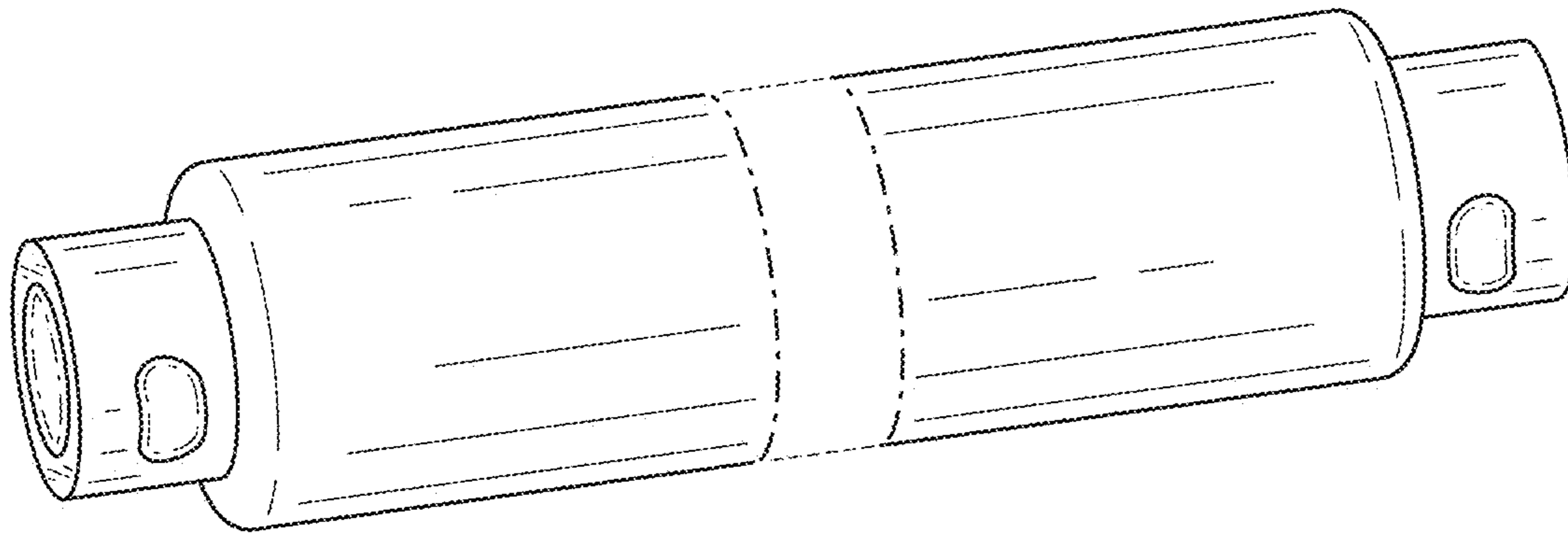


FIG. 1

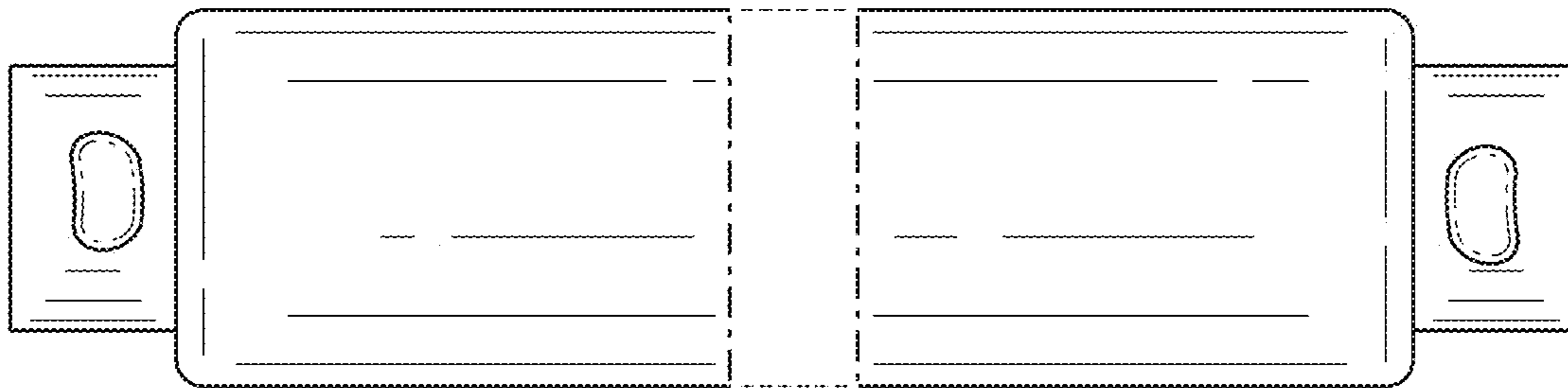


FIG. 2

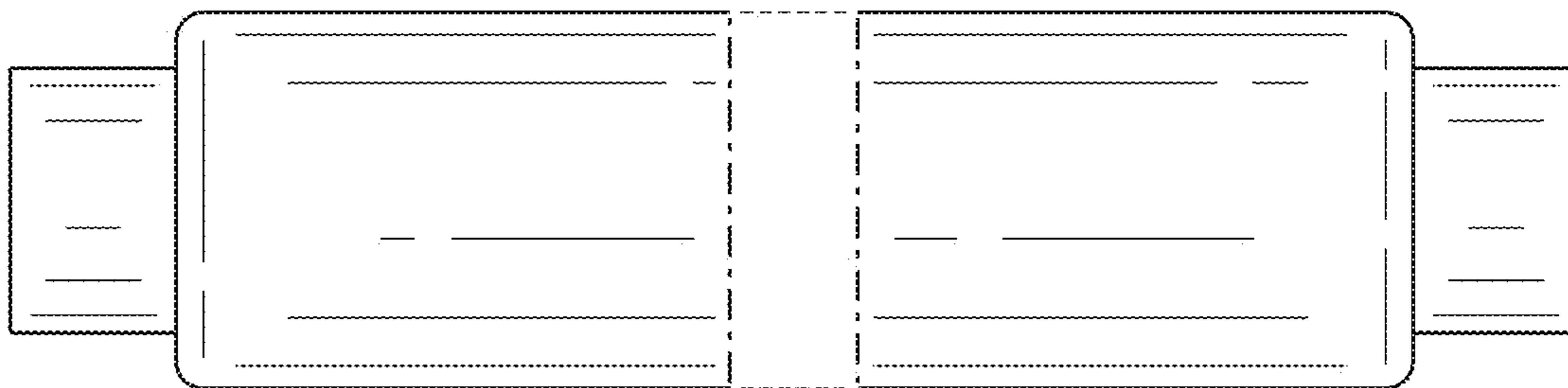


FIG. 3

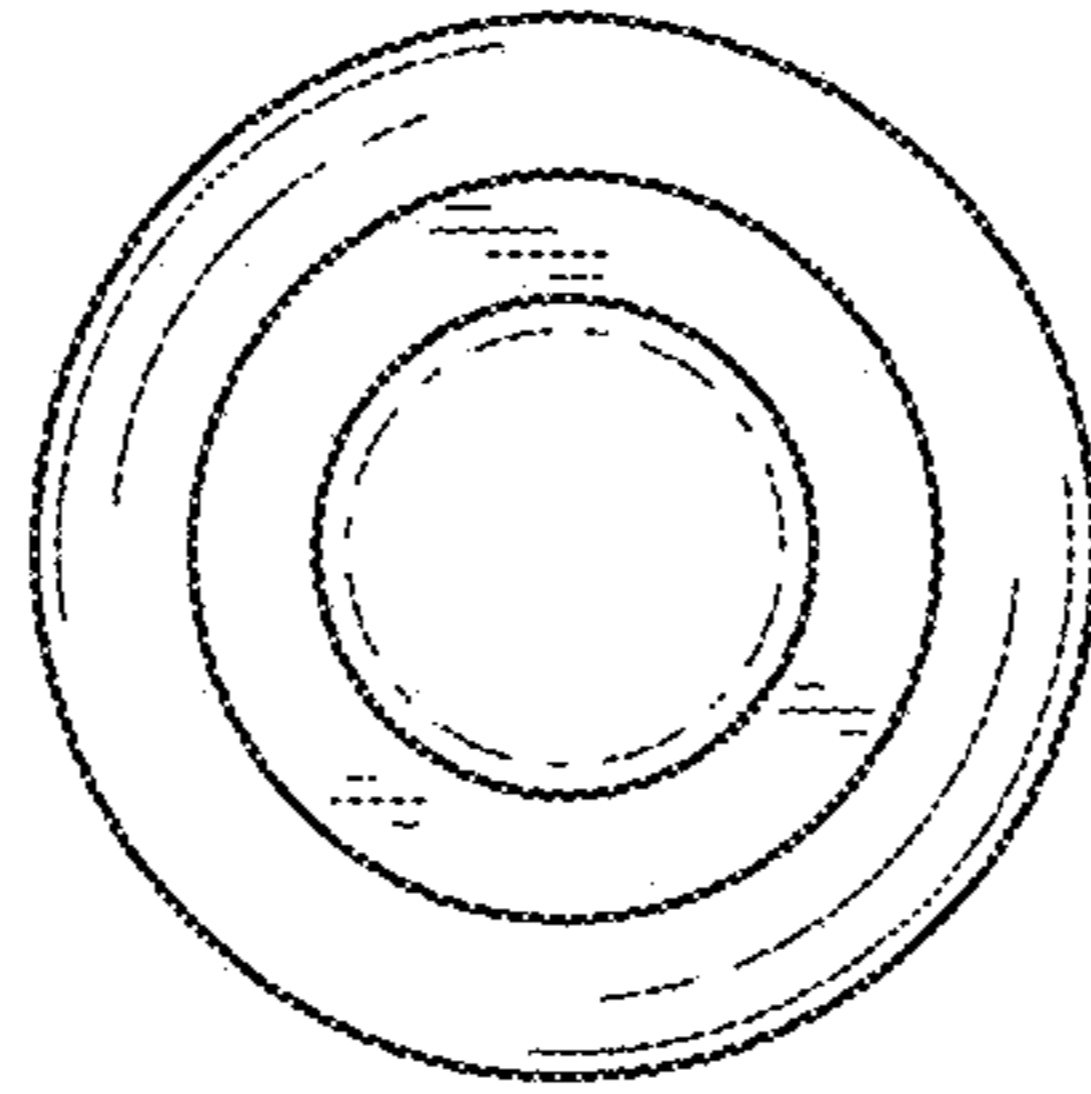


FIG. 4

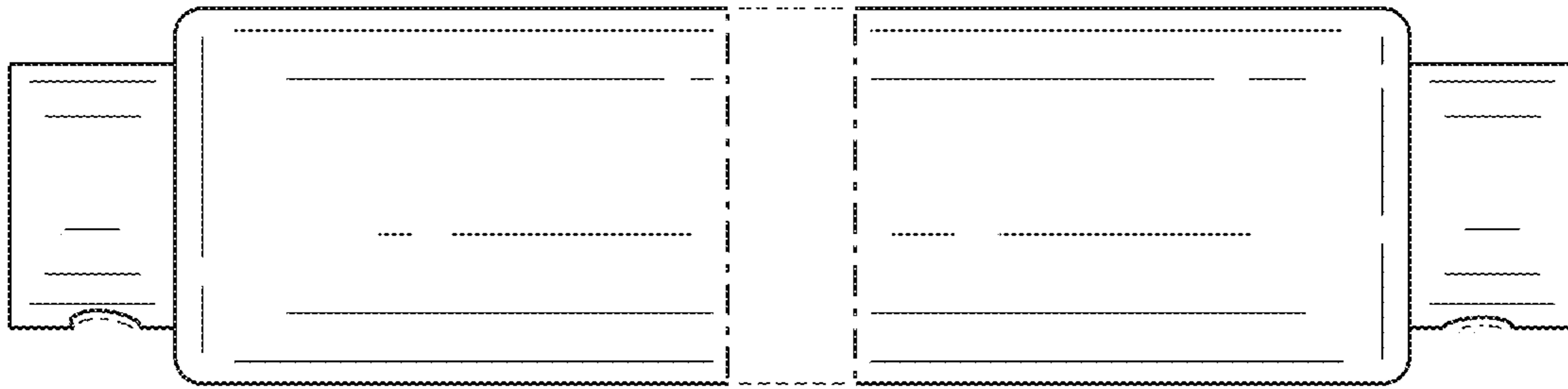


FIG. 5

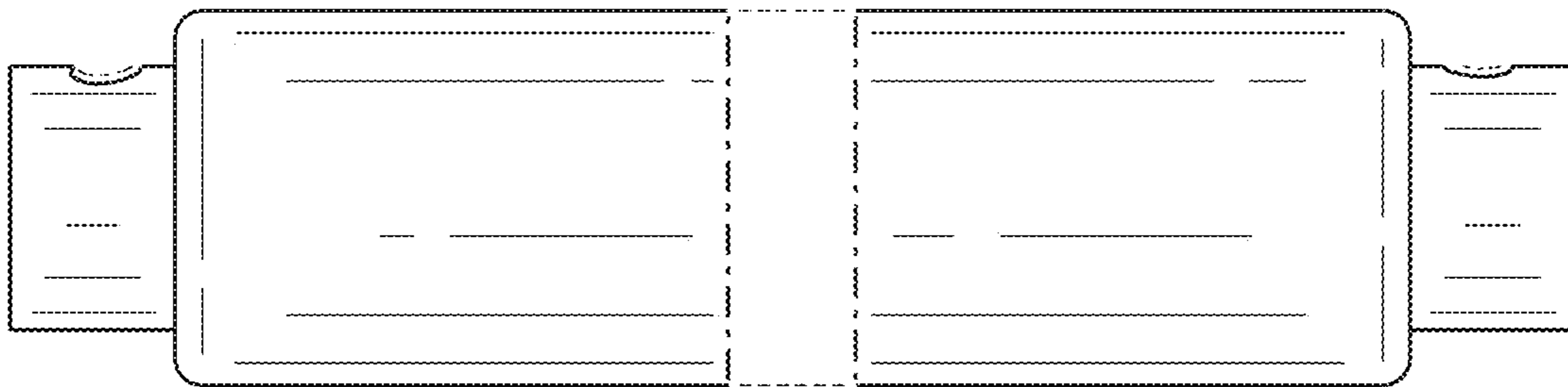


FIG. 6

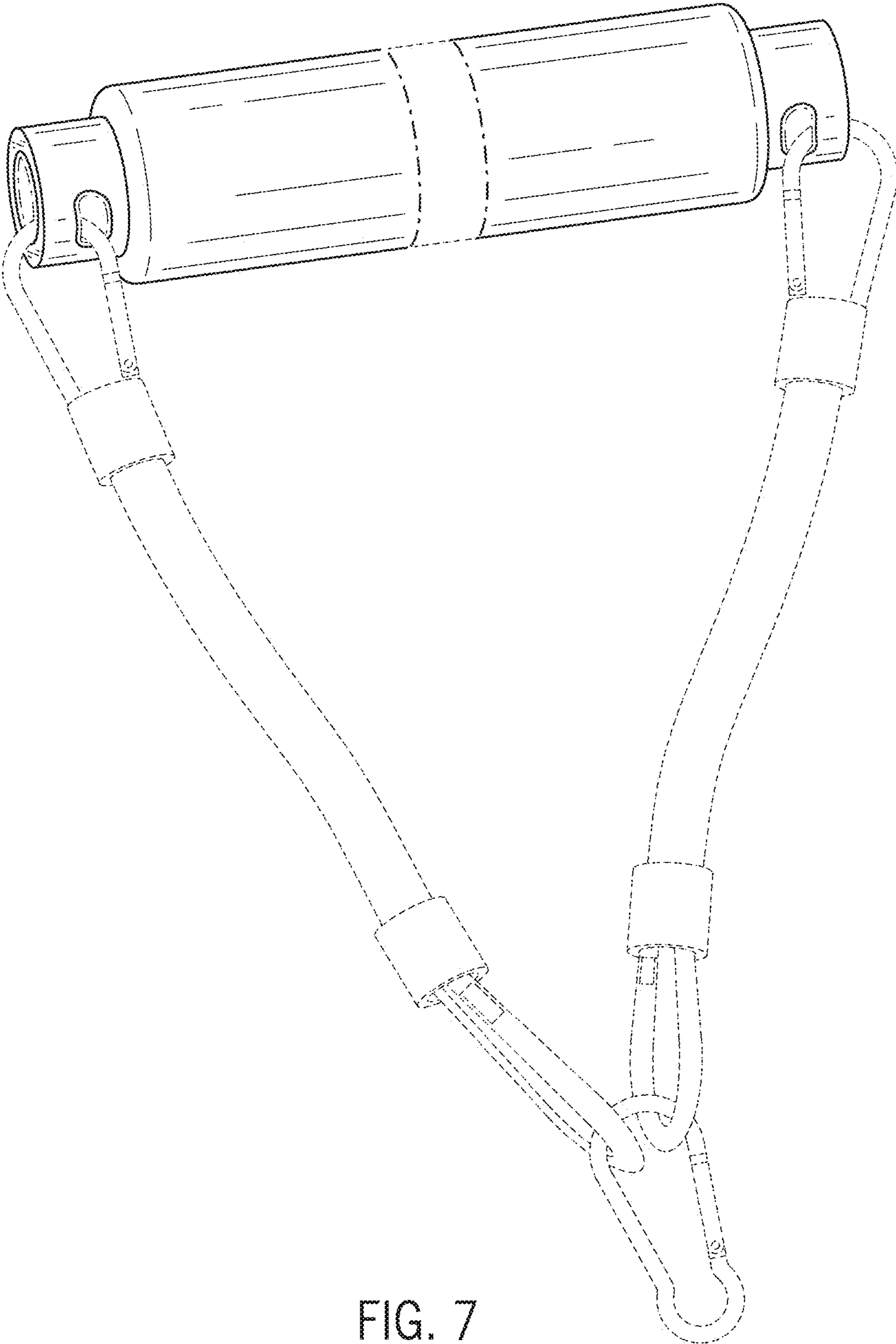


FIG. 7