



US00D882000S

(12) **United States Design Patent**  
**Tompkin**

(10) **Patent No.:** **US D882,000 S**  
(45) **Date of Patent:** **\*\* Apr. 21, 2020**

(54) **REMOTE CONTROL PUPPY**

(74) *Attorney, Agent, or Firm* — Avyno Law P.C.

(71) Applicant: **MerchSource, LLC**, Irvine, CA (US)

(57) **CLAIM**

(72) Inventor: **Crispian Tompkin**, Los Angeles, CA (US)

I claim the ornamental design for a remote control puppy, as shown and described.

(73) Assignee: **MerchSource, LLC**, Irvine, CA (US)

**DESCRIPTION**

(\*\*) Term: **15 Years**

(21) Appl. No.: **29/674,234**

(22) Filed: **Dec. 20, 2018**

(51) **LOC (12) Cl.** ..... **21-01**

(52) **U.S. Cl.**  
USPC ..... **D21/578**; D21/611

(58) **Field of Classification Search**  
USPC ..... D6/598; D11/158, 162; D21/576–596,  
D21/611–613; 446/99, 268, 368–369,  
446/376, 428, 487; 180/8.6; D30/160  
CPC ... A63H 3/00; A63H 3/02; A63H 3/04; A63H  
3/16; A63H 3/28; A63H 3/36; A63H  
7/06; A63H 11/00; A63H 11/10; A63H  
11/20; A63H 11/205; A63H 13/00; A63H  
33/04; A63H 33/08; A63H 33/042; A63H  
23/10

See application file for complete search history.

(56) **References Cited**

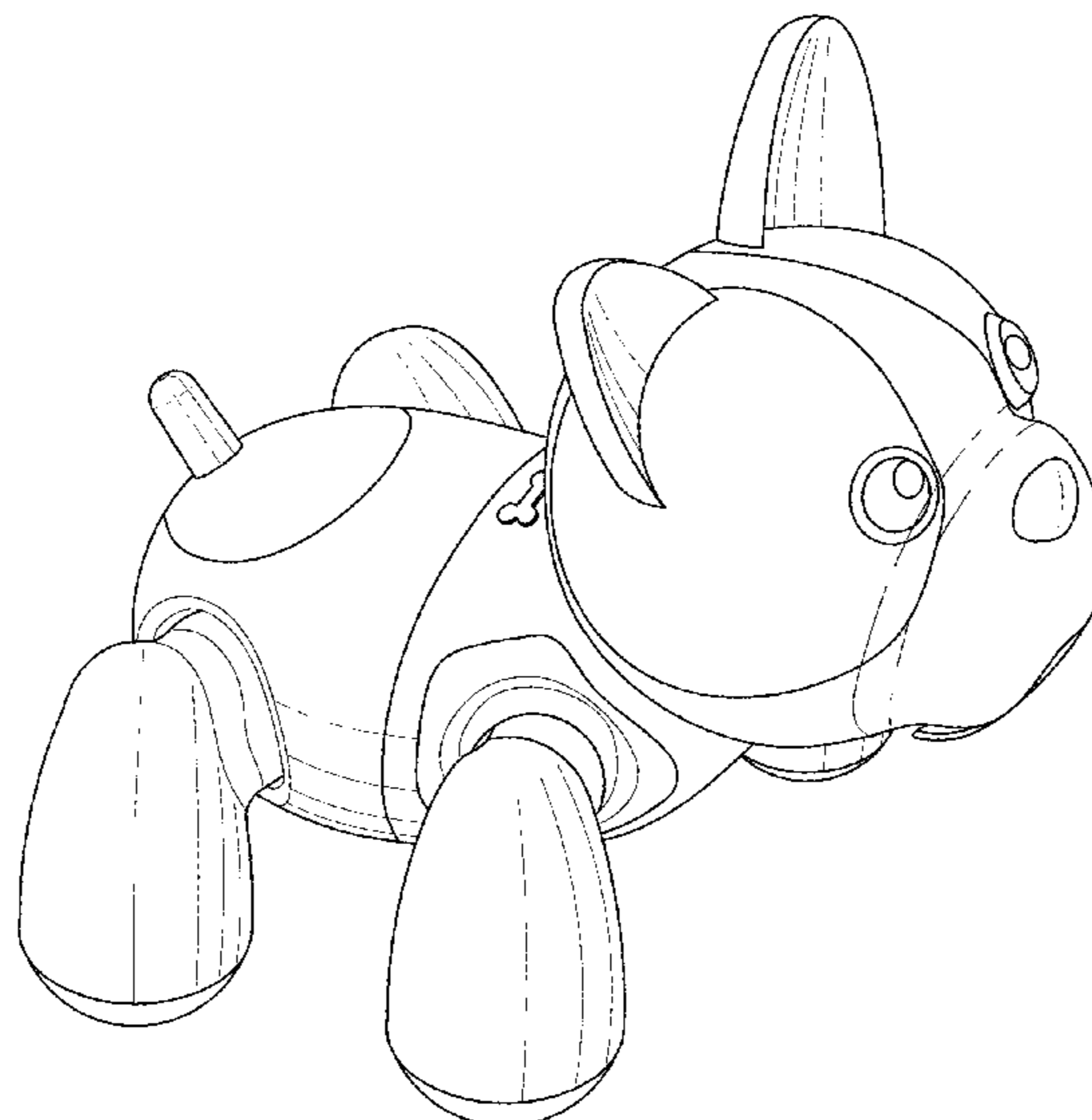
**U.S. PATENT DOCUMENTS**

D78,229 S *	4/1929	Steif	.....	D21/613
D80,767 S *	3/1930	Kallus	.....	D21/611
D141,795 S *	7/1945	Boll	.....	D21/611
D156,443 S *	12/1949	Levinson	.....	D21/611
D445,849 S *	7/2001	Saito	.....	D21/578
D448,433 S *	9/2001	Ueda	.....	D21/578
D454,378 S *	3/2002	Hornsby	.....	D21/578
D457,203 S *	5/2002	Onishi	.....	D21/578

(Continued)

*Primary Examiner* — Sandra L Morris

**1 Claim, 10 Drawing Sheets**



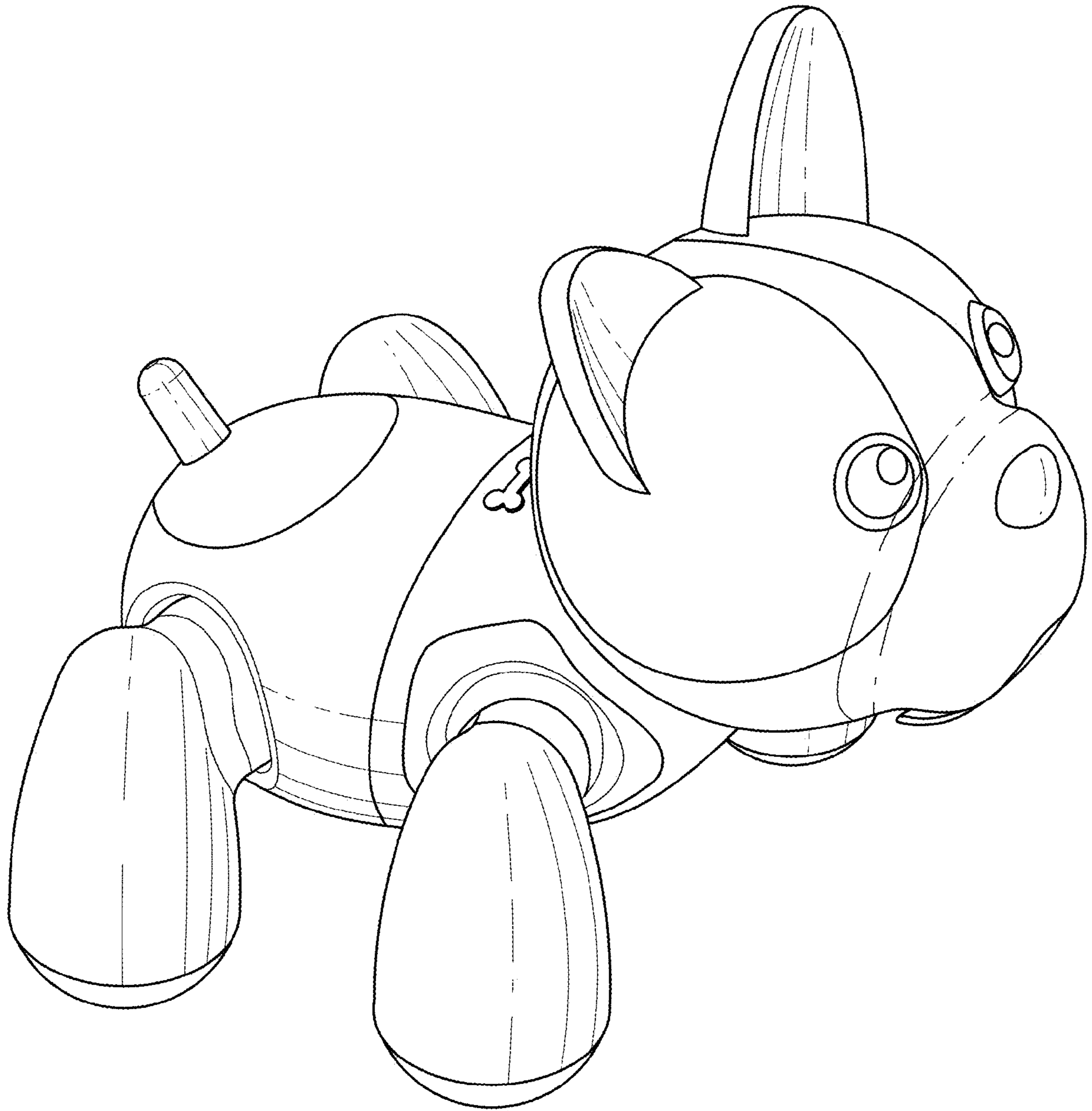
(56)

**References Cited**

U.S. PATENT DOCUMENTS

D457,205 S *	5/2002	Hornsby .....	D21/578
D467,630 S *	12/2002	Kawakita .....	D21/578
D467,983 S *	12/2002	Yamazaki .....	D21/585
D468,374 S *	1/2003	So .....	D21/578
D468,375 S *	1/2003	So .....	D21/578
D566,794 S *	4/2008	Judkins .....	D21/576
D667,510 S *	9/2012	Hayakawa .....	D21/578
D848,549 S *	5/2019	Cummings .....	D21/611
D848,550 S *	5/2019	Cummings .....	D21/611

\* cited by examiner



*FIG. 1*

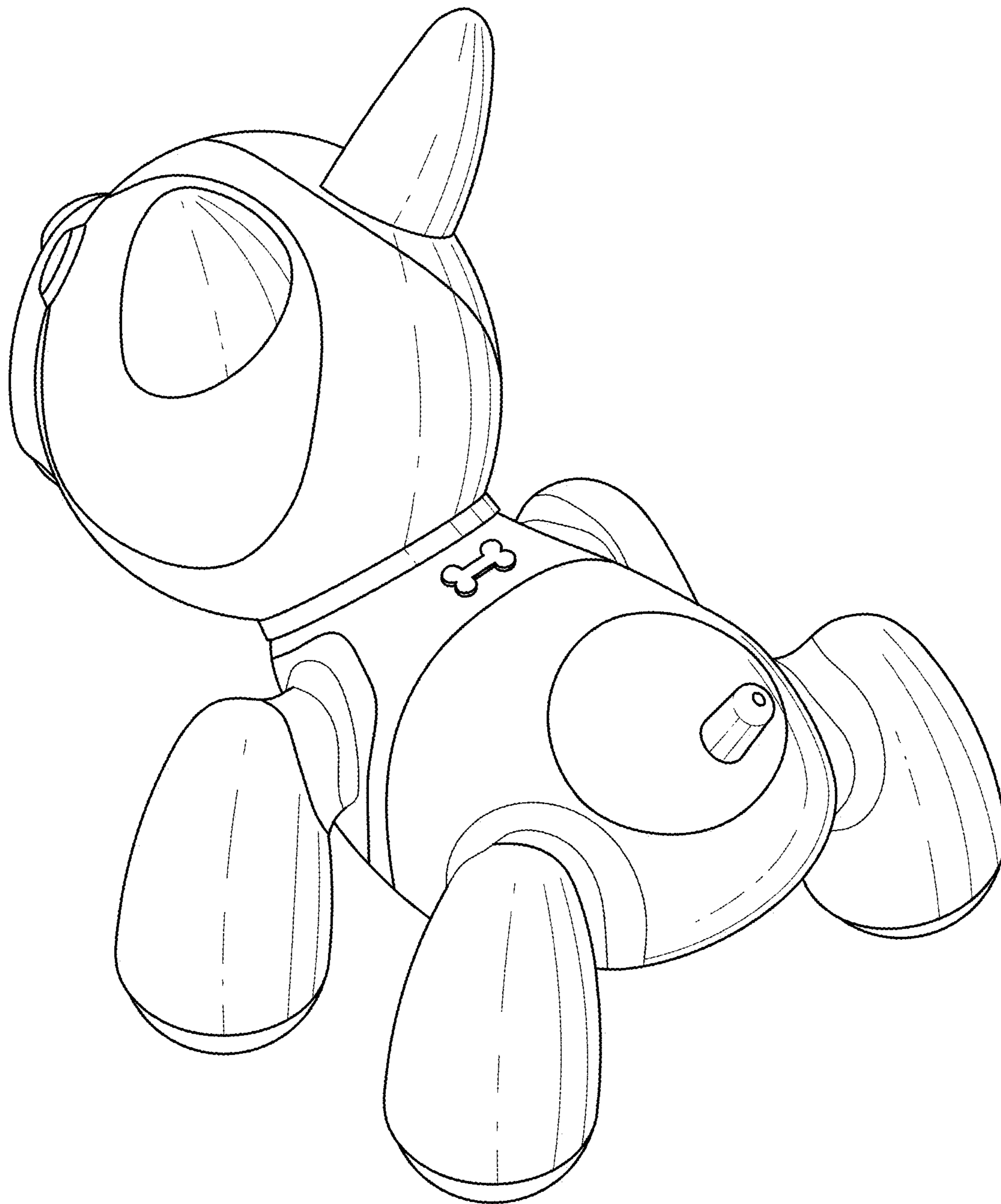
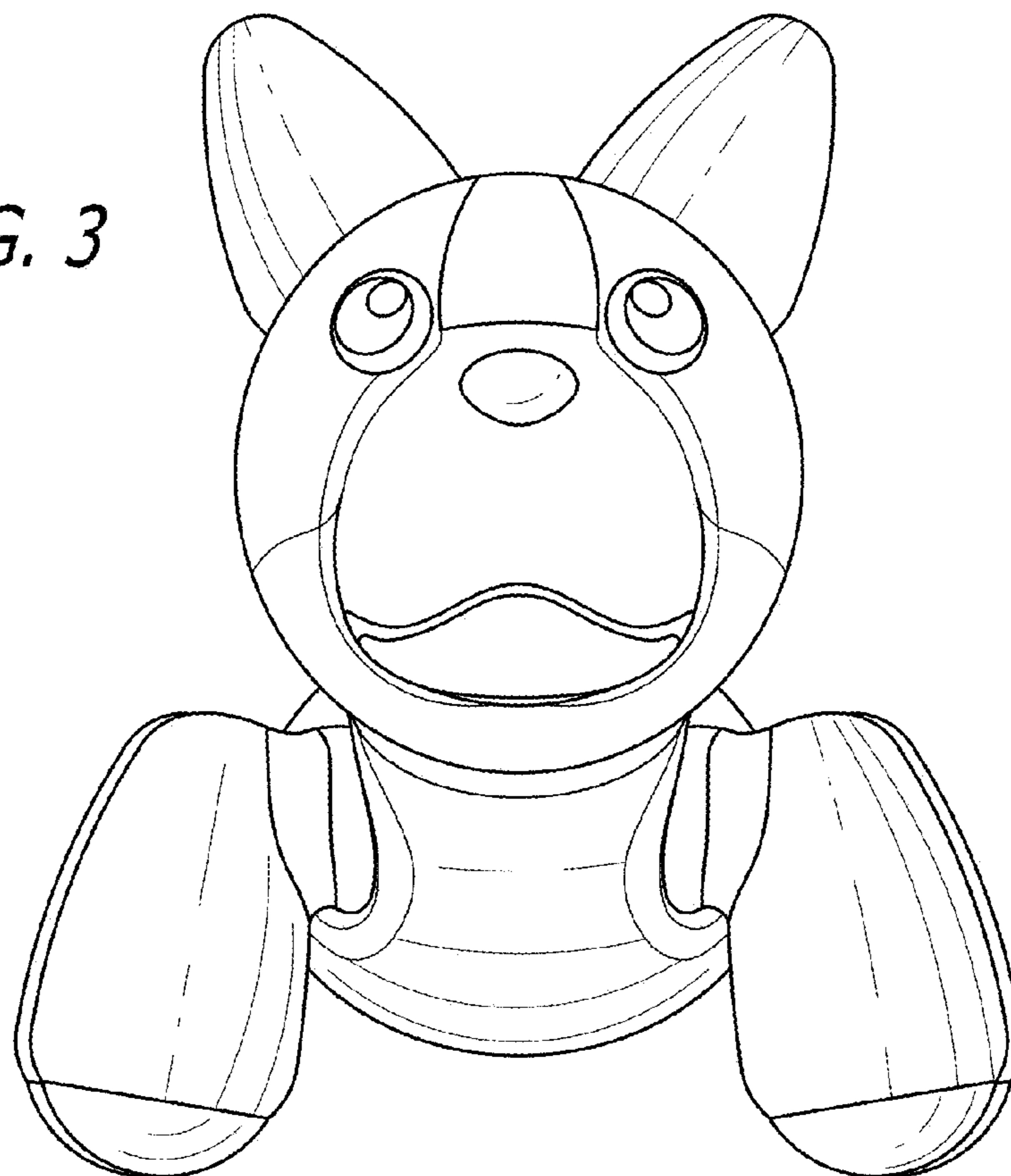


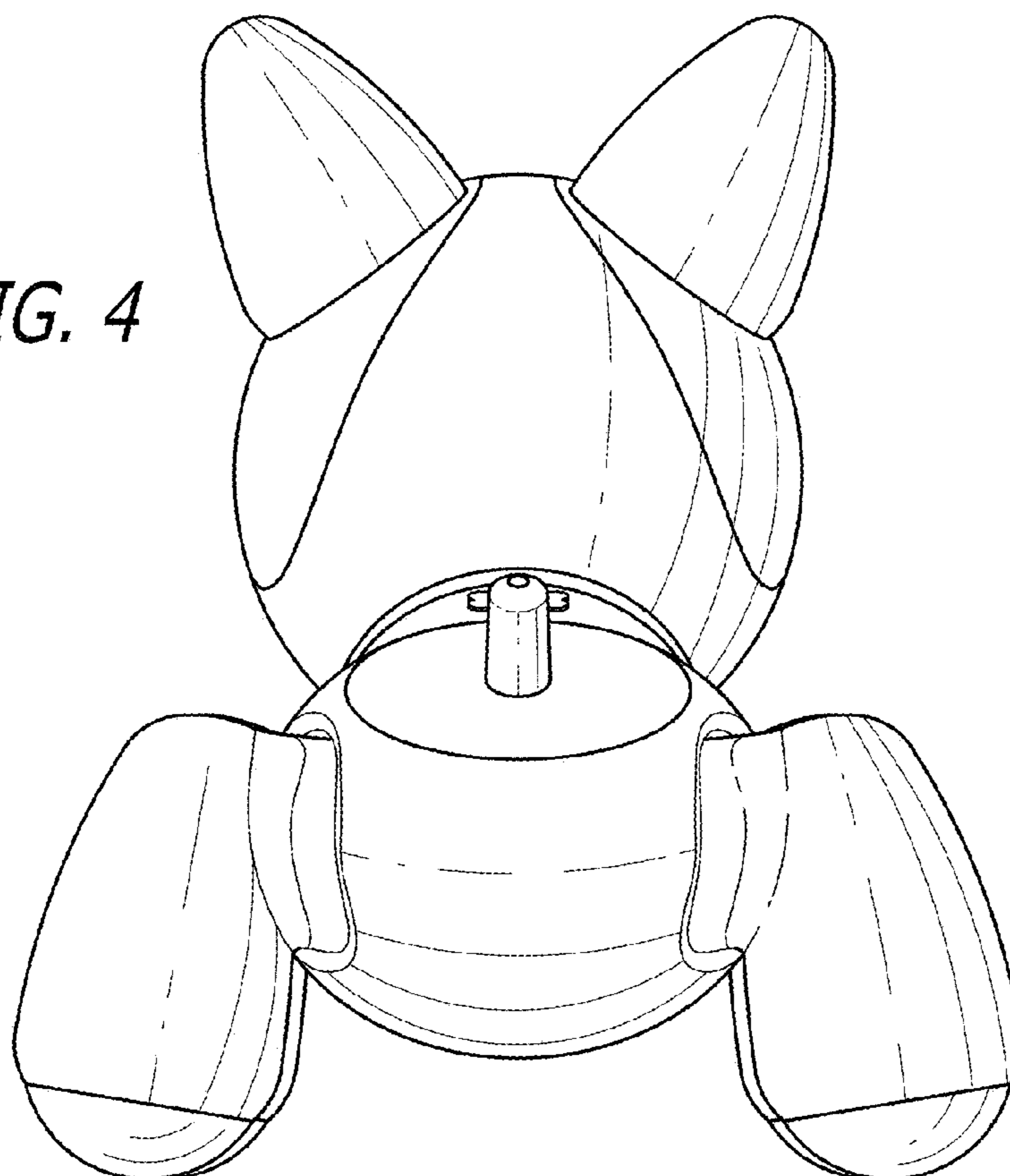
FIG. 2



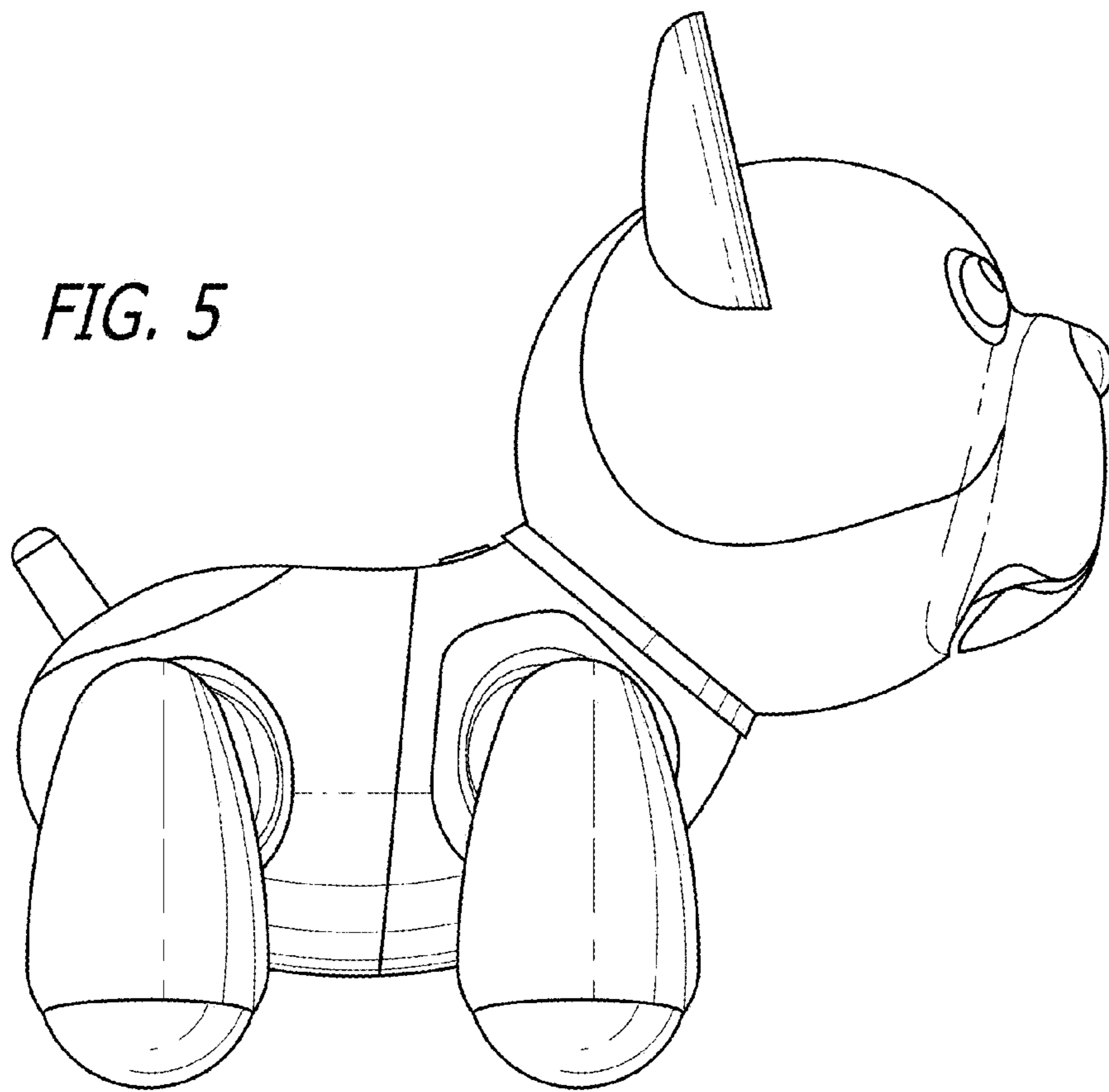
*FIG. 3*



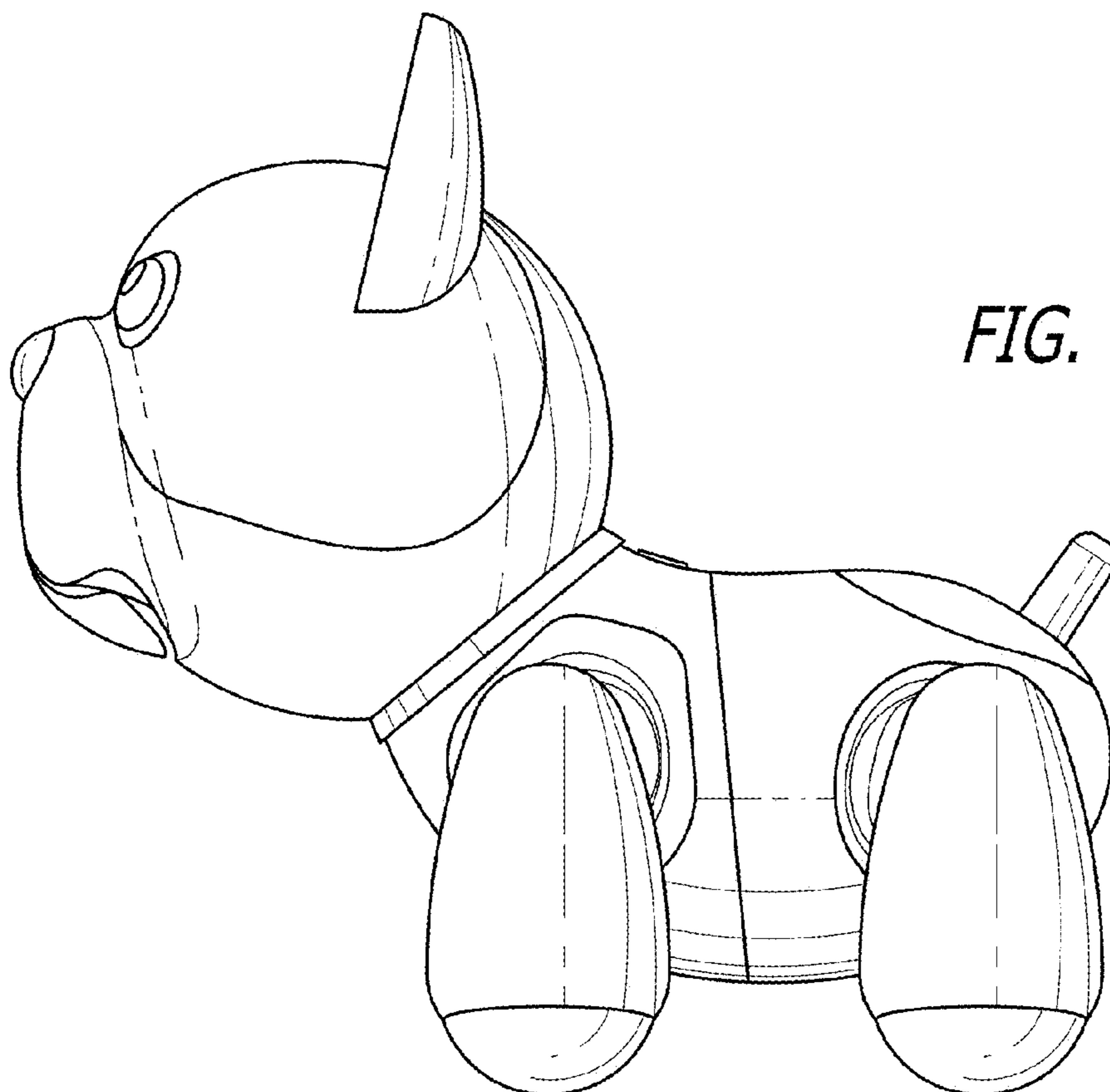
*FIG. 4*

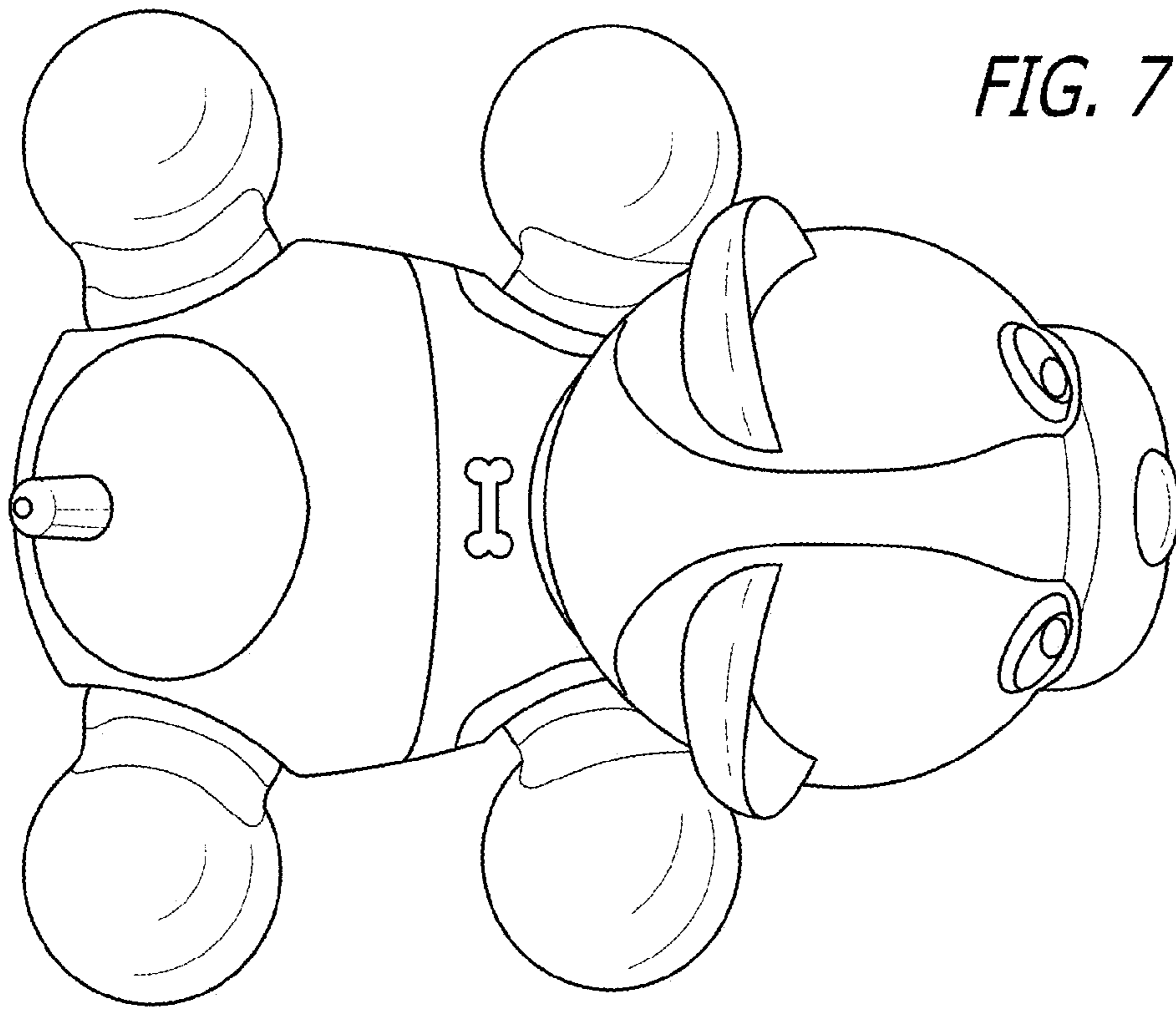


*FIG. 5*

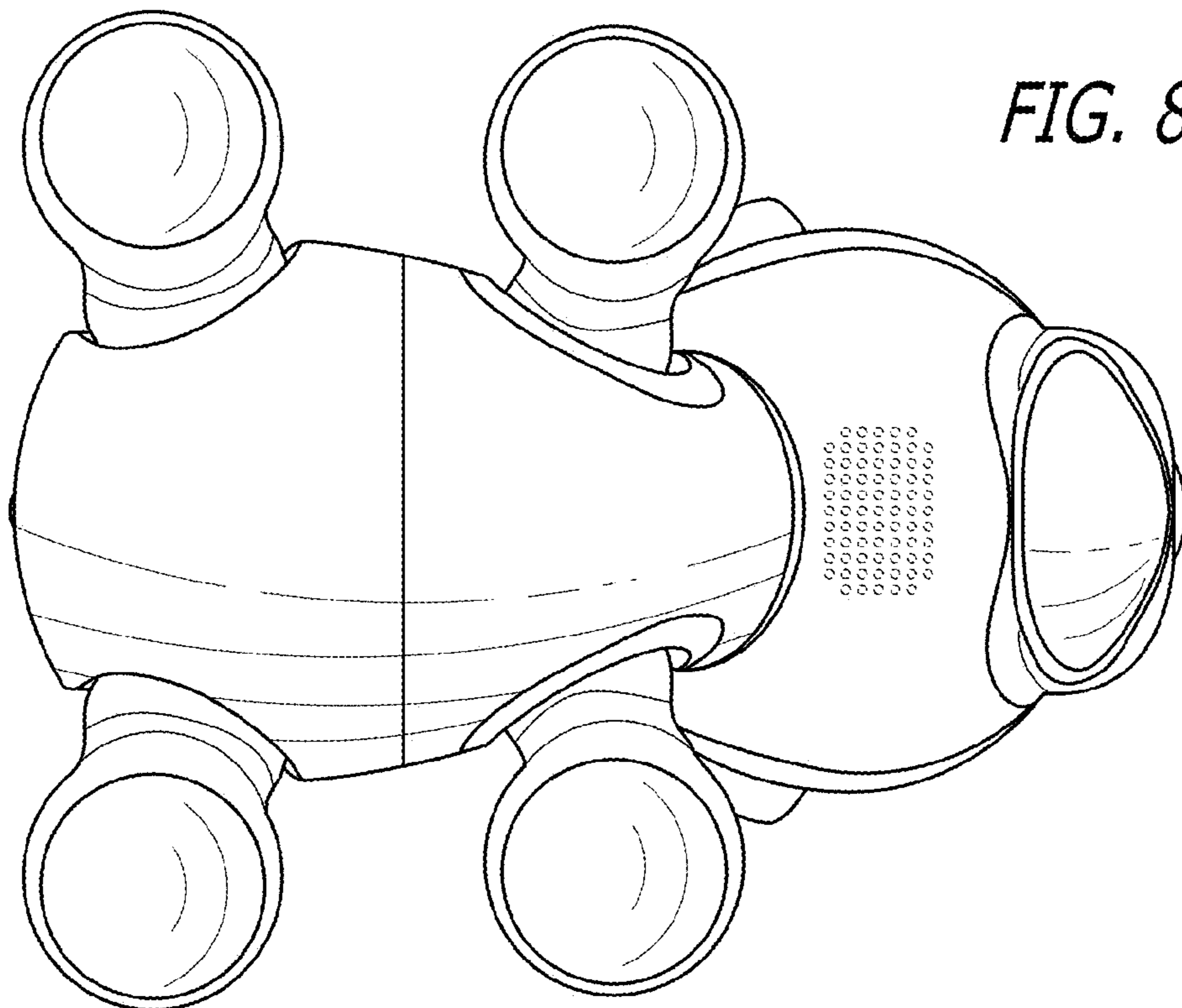


*FIG. 6*





*FIG. 7*



*FIG. 8*

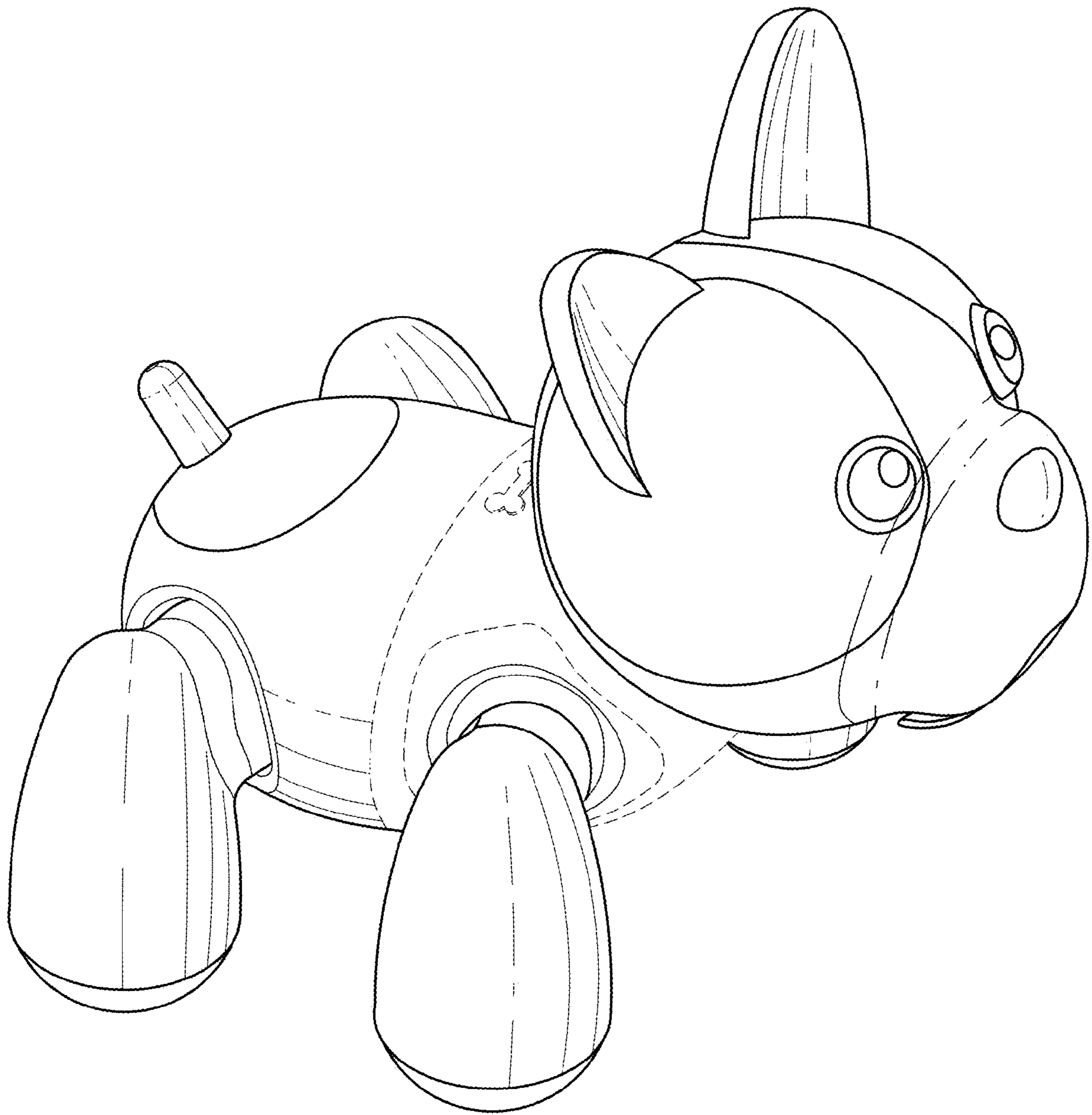
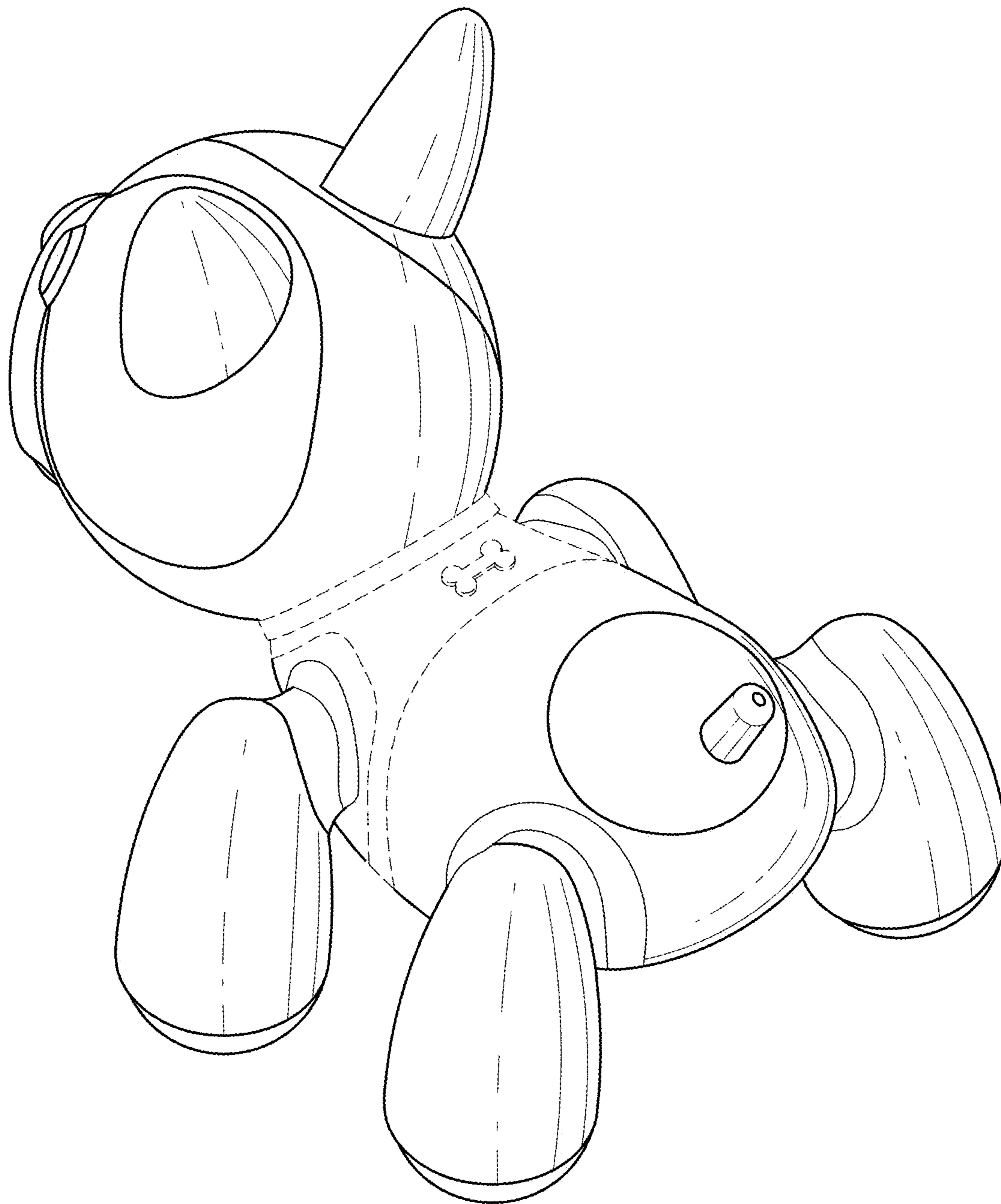


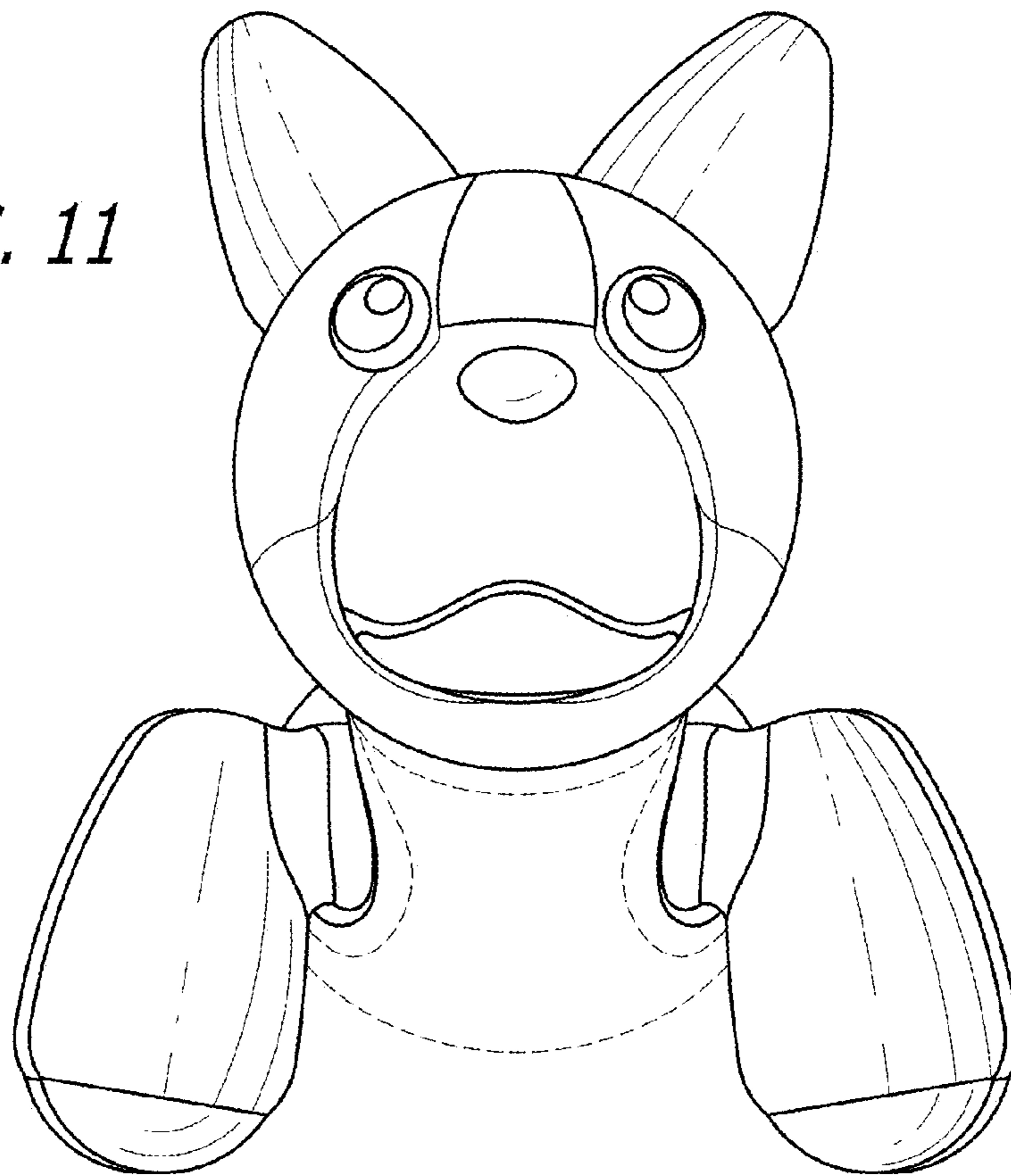
FIG. 9



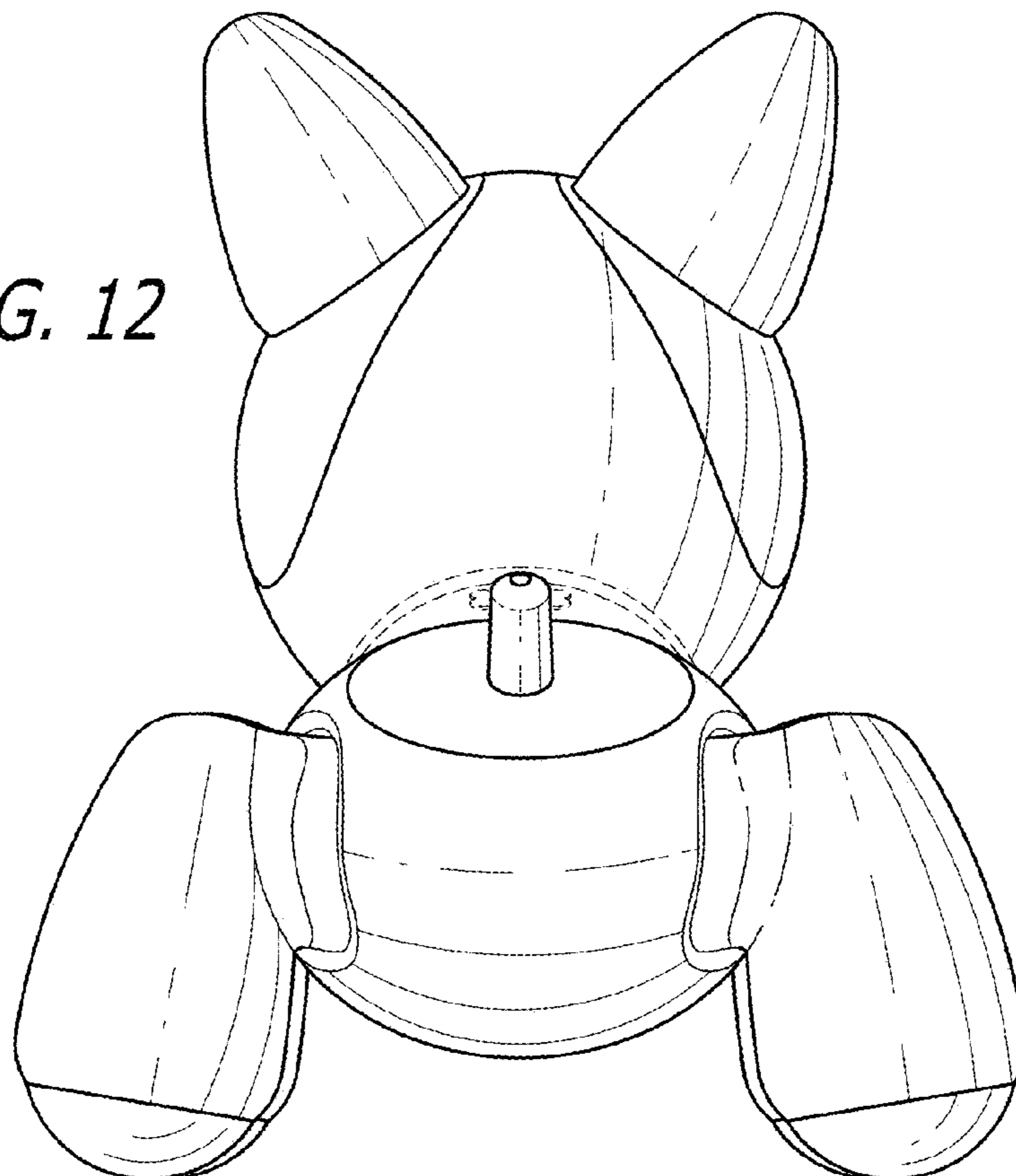


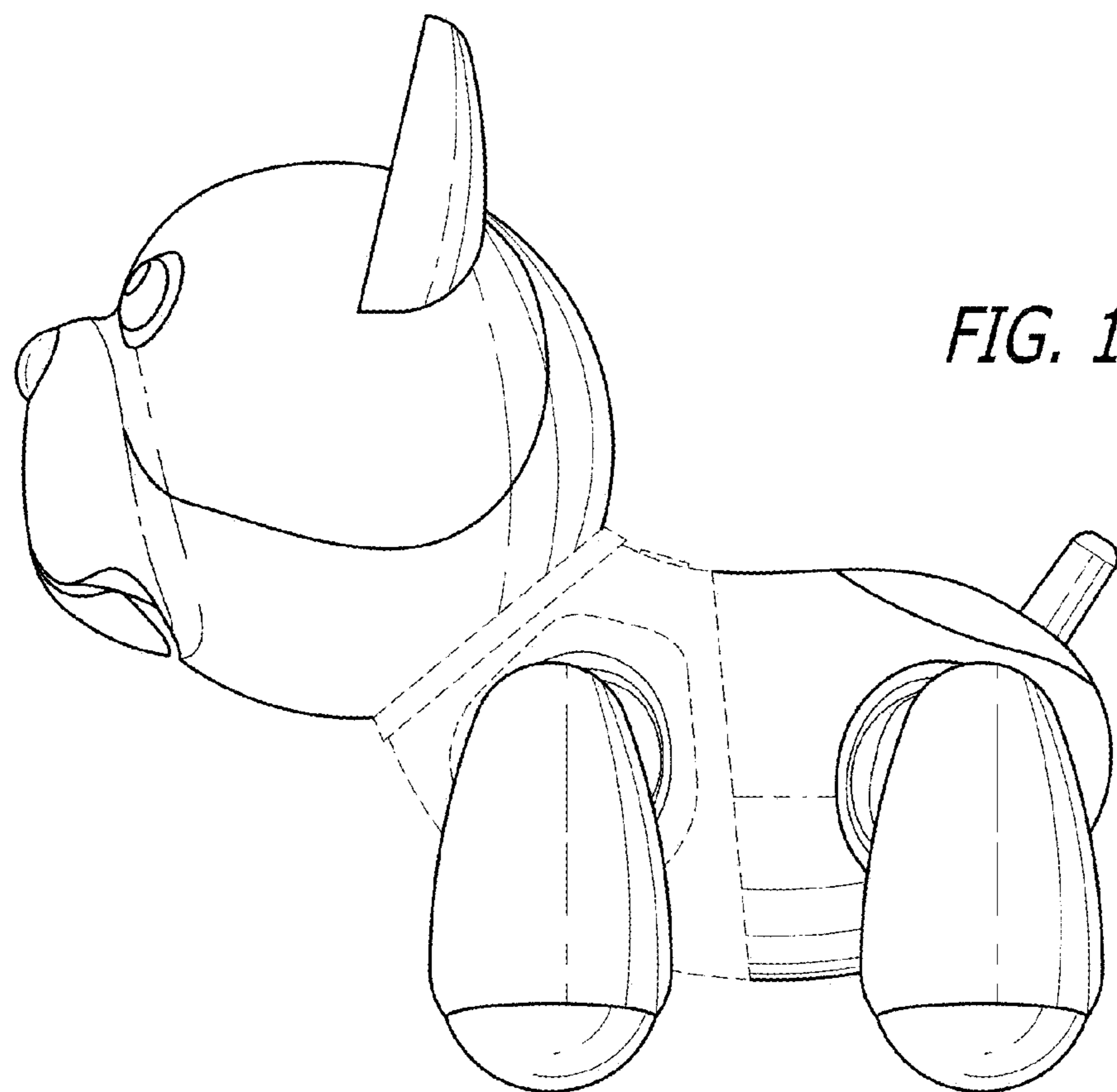
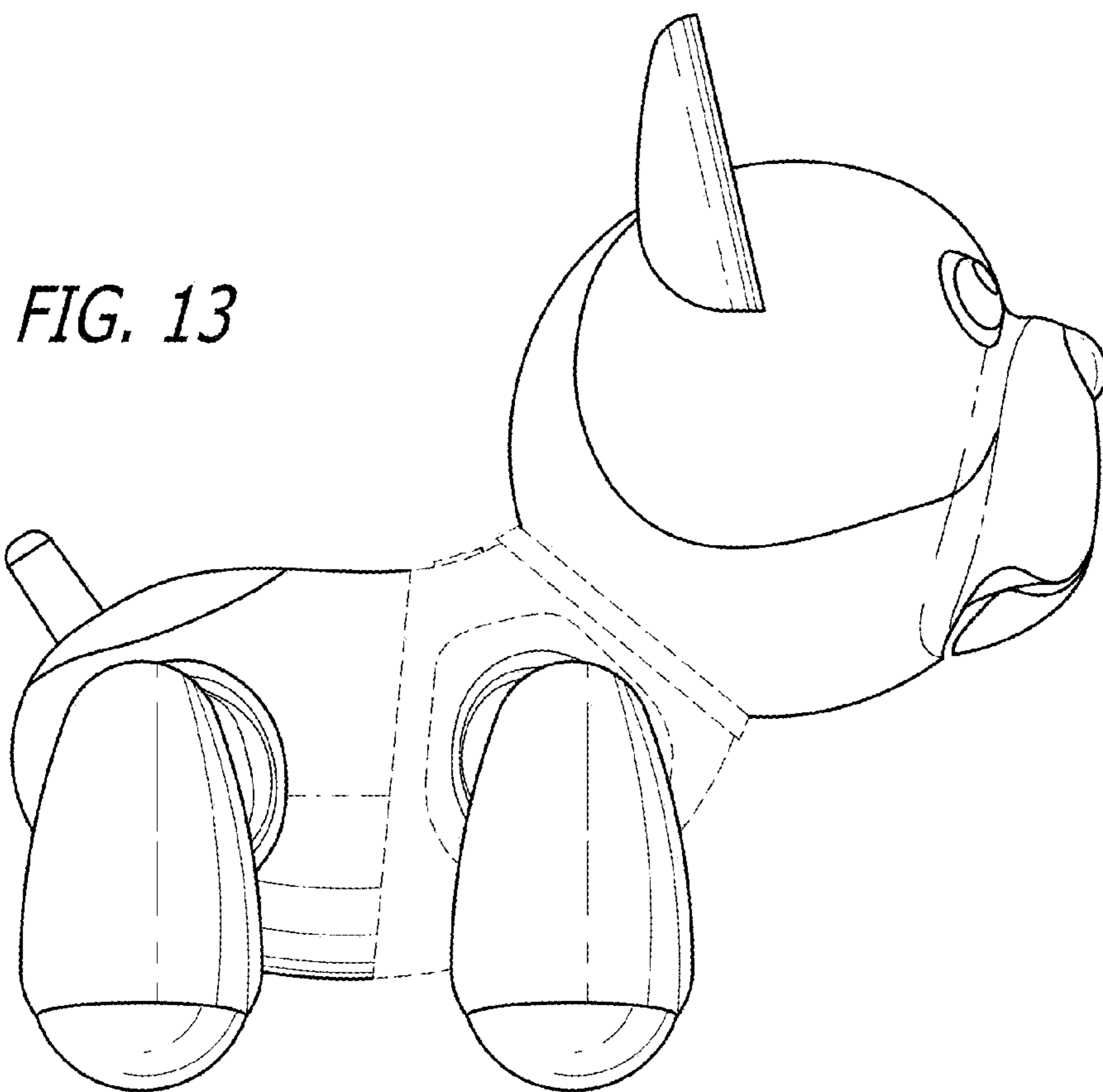
*FIG. 10*

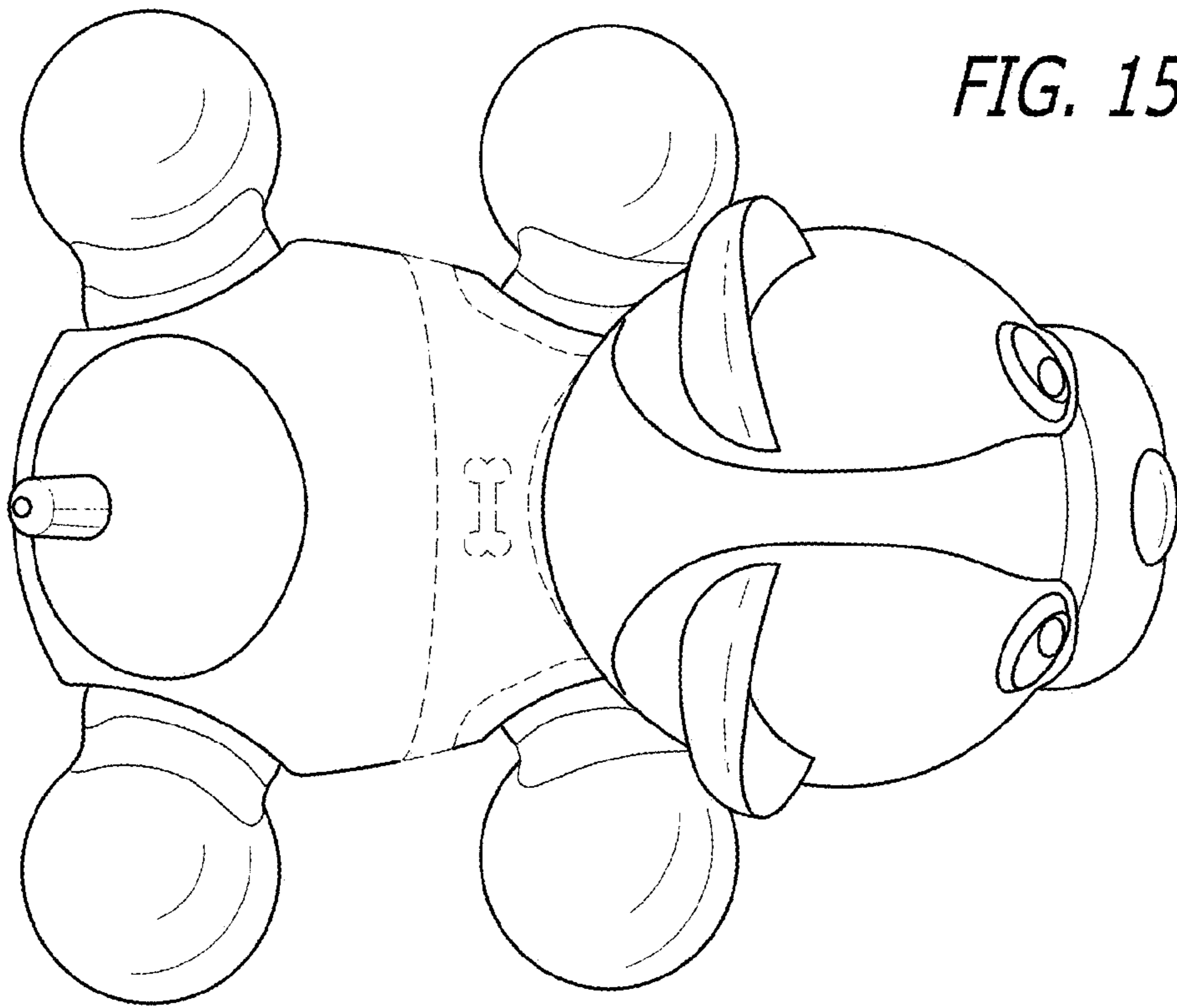
*FIG. 11*



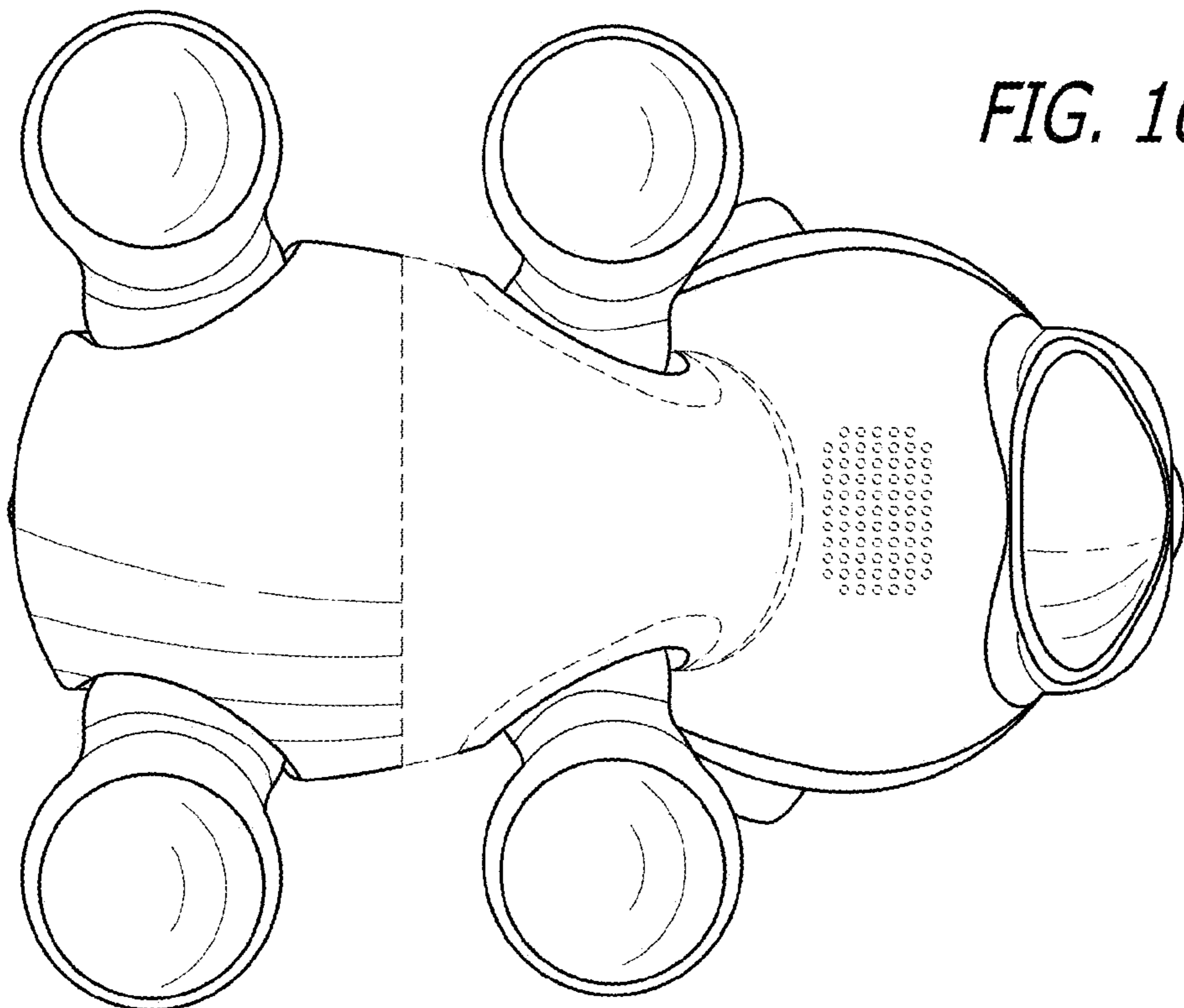
*FIG. 12*







*FIG. 15*



*FIG. 16*