



US00D881999S

(12) **United States Design Patent**  
**Lin**

(10) **Patent No.:** **US D881,999 S**  
(45) **Date of Patent:** **\*\* Apr. 21, 2020**

- (54) **BOW**
- (71) Applicant: **Stallion Sport Limited**, San Po Kong, Kowloon (HK)
- (72) Inventor: **Joseph Lin**, Torrance, CA (US)
- (73) Assignee: **Stallion Sport Limited**, Hong Kong (HK)
- (\*\*) Term: **15 Years**
- (21) Appl. No.: **29/594,259**
- (22) Filed: **Feb. 16, 2017**
- (51) **LOC (12) Cl.** ..... **21-01**
- (52) **U.S. Cl.**  
USPC ..... **D21/571; D22/107**
- (58) **Field of Classification Search**  
USPC ..... D22/100, 101, 102, 103, 104, 105, 106, D22/107, 108, 109, 110, 111, 199; D21/328, 330, 332, 333, 571, 573, 574, D21/575, 746  
CPC ..... F41C 23/14; F41C 23/20; F41C 23/04; F41C 23/00; F41C 23/10; F41C 27/00; F41C 7/00; F41C 23/06; F41C 3/00; F41B 5/10; F41B 5/14; F41B 5/0094; F41B 5/1469; F41B 5/00  
See application file for complete search history.

(56) **References Cited**

**U.S. PATENT DOCUMENTS**

- D271,411 S \* 11/1983 Adkins ..... D21/571
- D286,659 S \* 11/1986 Chu ..... D21/571
- D337,796 S \* 7/1993 Sutyak ..... D21/571
- 5,353,511 A \* 10/1994 Boll ..... F41B 5/14  
124/24.1
- 5,592,928 A \* 1/1997 Frasier ..... F41B 5/14  
124/1
- 6,092,516 A \* 7/2000 Martin ..... F41B 5/1426  
124/88

- 6,425,385 B1 \* 7/2002 Gallops, Jr. .... F41B 5/10  
124/25.6
  - 6,499,478 B1 \* 12/2002 Perez ..... F41B 5/14  
124/25.6
  - 7,793,646 B2 \* 9/2010 Cooper ..... F41B 5/1407  
124/86
  - 7,946,043 B2 \* 5/2011 Taboada ..... F41B 5/14  
124/87
  - D649,215 S \* 11/2011 Stokes ..... D22/107
  - D706,375 S \* 6/2014 Rodich ..... D22/107
  - D710,475 S \* 8/2014 Box ..... D22/108
  - D737,395 S \* 8/2015 Rodich ..... D22/107
  - D738,440 S \* 9/2015 Cummings ..... D21/571
  - D741,439 S \* 10/2015 Rodich ..... D21/571
- (Continued)

**OTHER PUBLICATIONS**

“Wham-O’s Aqua Bow” [online]. Wham-O Official. [Published on Jun. 5, 2017]. Retrieved from the Internet: <[https://www.youtube.com/watch?v=6\\_3s5XoXF7k](https://www.youtube.com/watch?v=6_3s5XoXF7k)>.\*

*Primary Examiner* — Khawaja Anwar  
*Assistant Examiner* — Mojtaba Tehrani  
(74) *Attorney, Agent, or Firm* — Raymond Sun

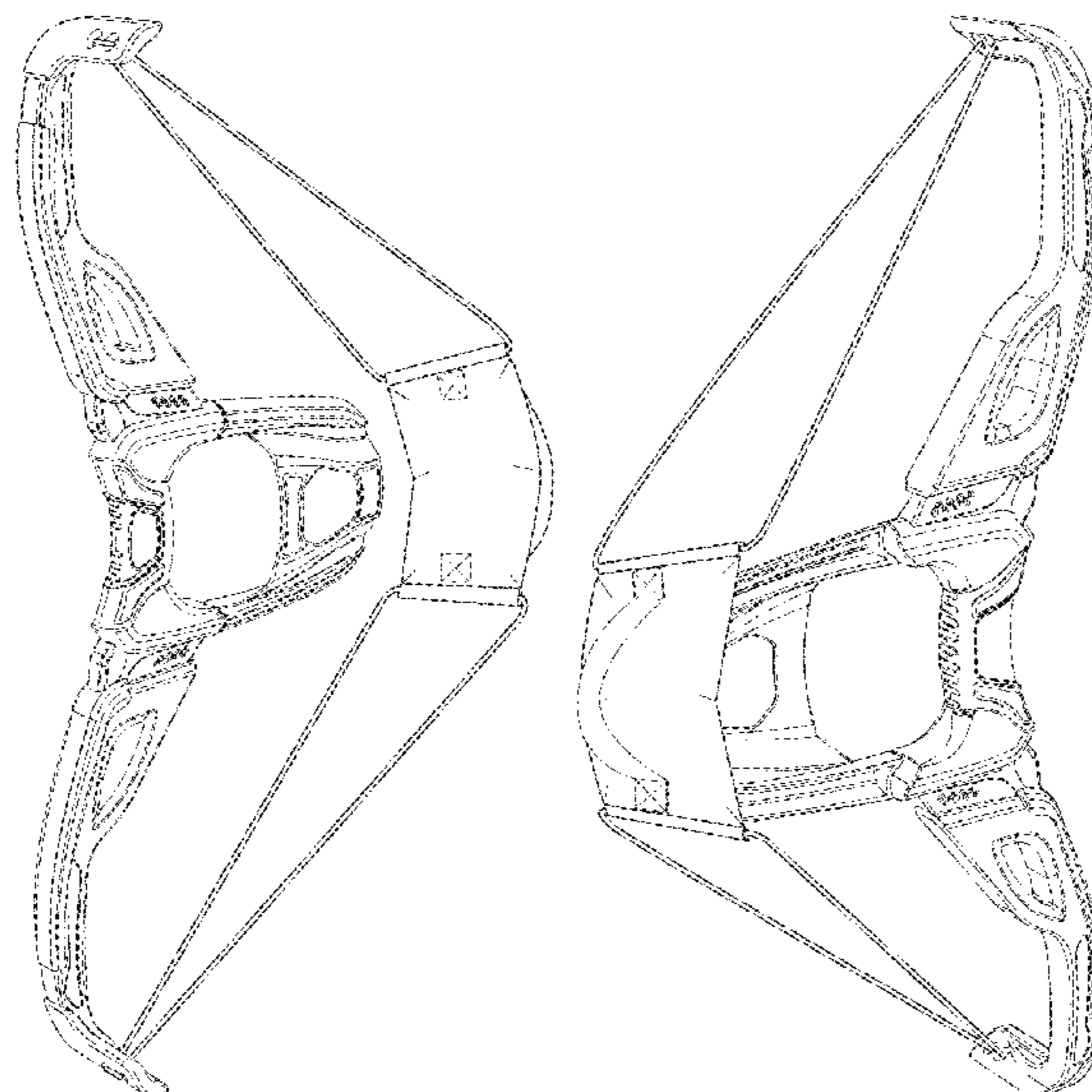
(57) **CLAIM**

The ornamental design for a bow, as shown and described.

**DESCRIPTION**

FIG. 1 is a front perspective view of a bow showing my new design.  
FIG. 2 is a rear perspective view thereof.  
FIG. 3 is a front view thereof.  
FIG. 4 is a rear view thereof.  
FIG. 5 is a left view thereof.  
FIG. 6 is a right view thereof.  
FIG. 7 is a top view thereof; and,  
FIG. 8 is a bottom view thereof.  
The broken lines shown in the figures represent portions of the bow that form no part of the claimed design.

**1 Claim, 8 Drawing Sheets**



(56)

**References Cited**

U.S. PATENT DOCUMENTS

9,341,422	B2 *	5/2016	Rodich .....	F41A 9/73
9,423,212	B2 *	8/2016	Campean .....	F41G 1/18
D775,704	S *	1/2017	Nevels .....	D22/107
D791,248	S *	7/2017	Cummings .....	D21/571
D819,158	S *	5/2018	Pell .....	D22/107
2012/0060807	A1 *	3/2012	Walterscheid .....	F41B 5/0094 124/20.3
2013/0263838	A1 *	10/2013	Cummings .....	F41B 5/0094 124/20.1
2013/0298891	A1 *	11/2013	Romney .....	F41A 21/10 124/66

\* cited by examiner

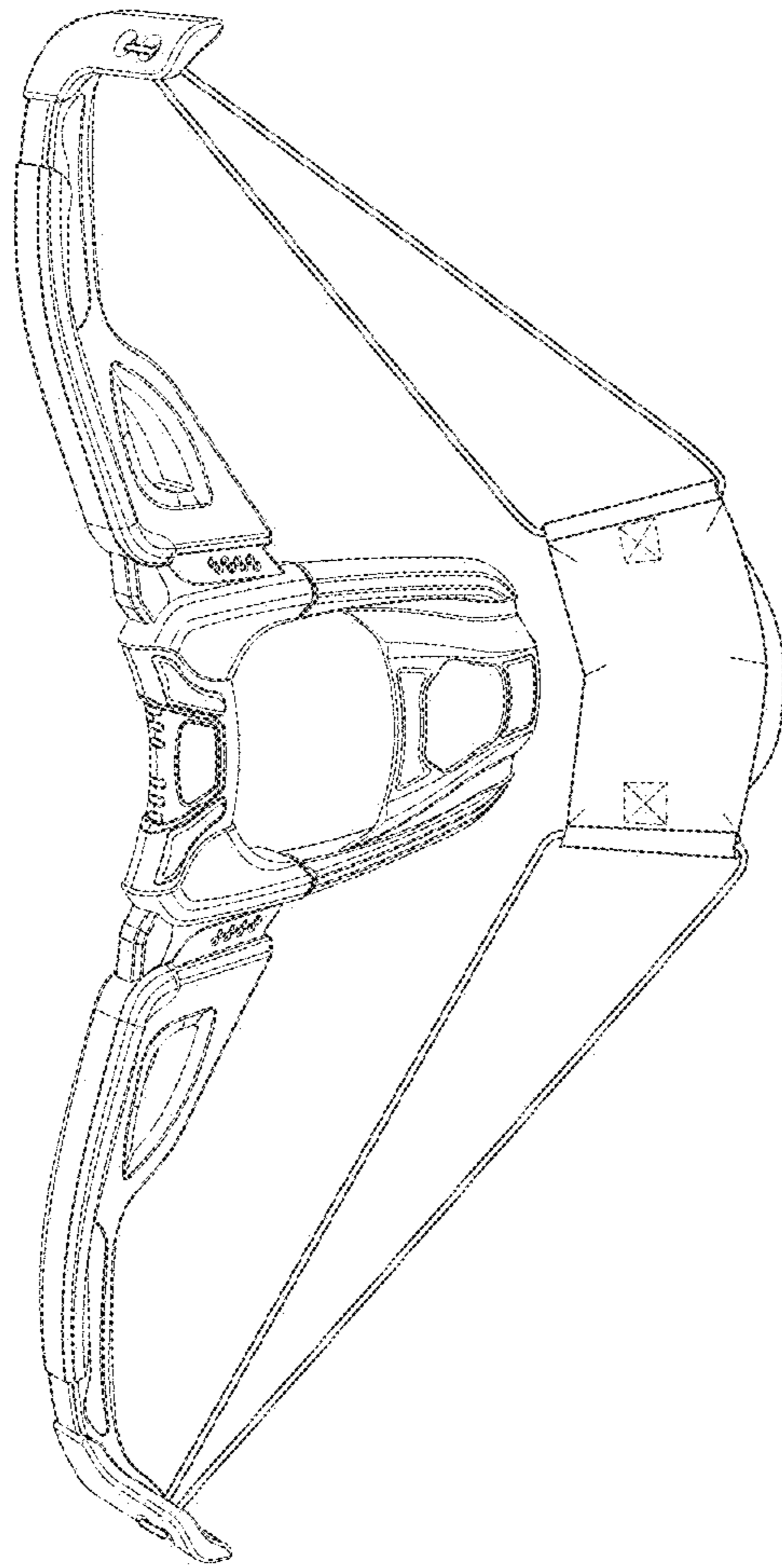


Fig. 1

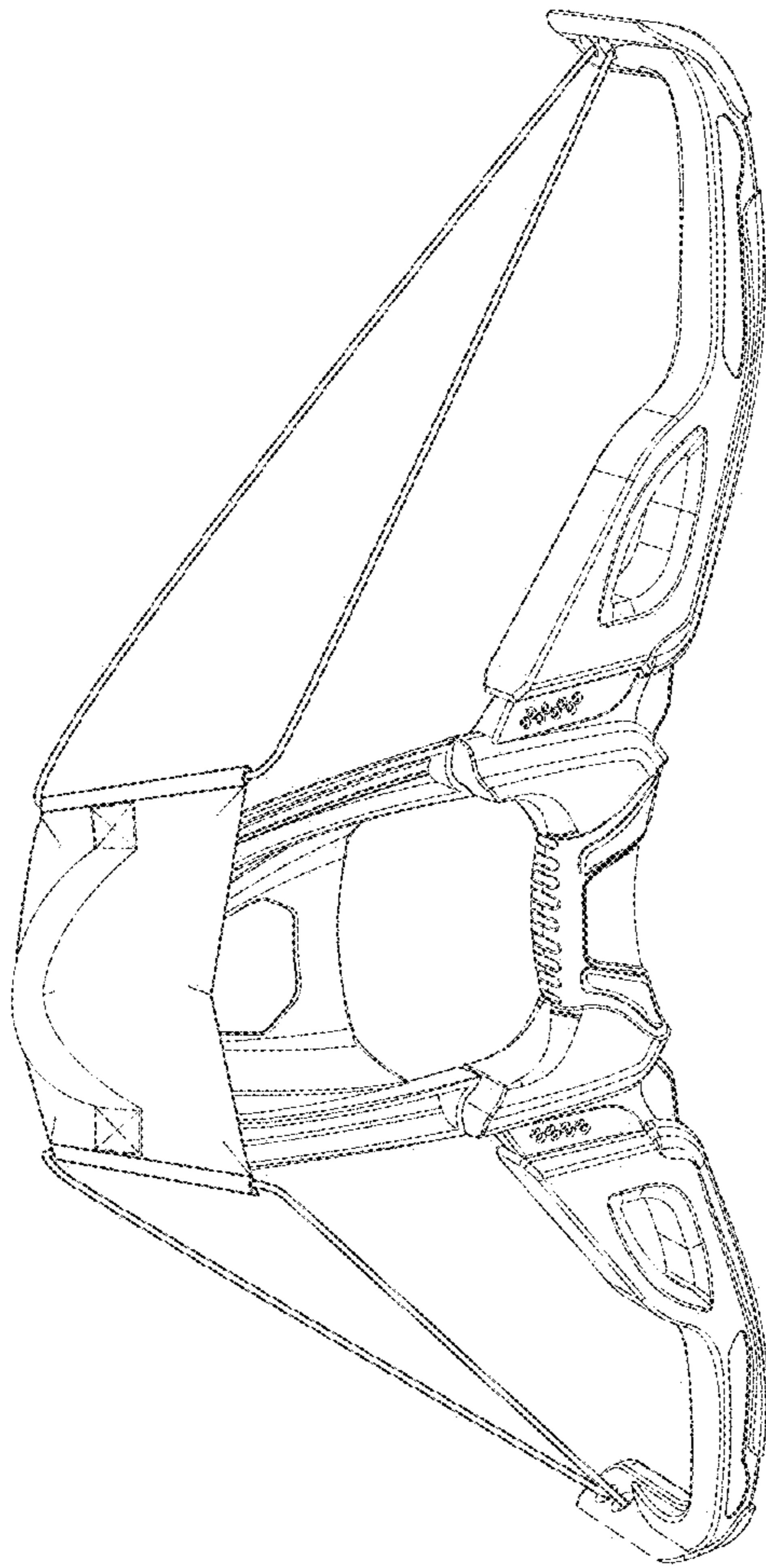


Fig. 2

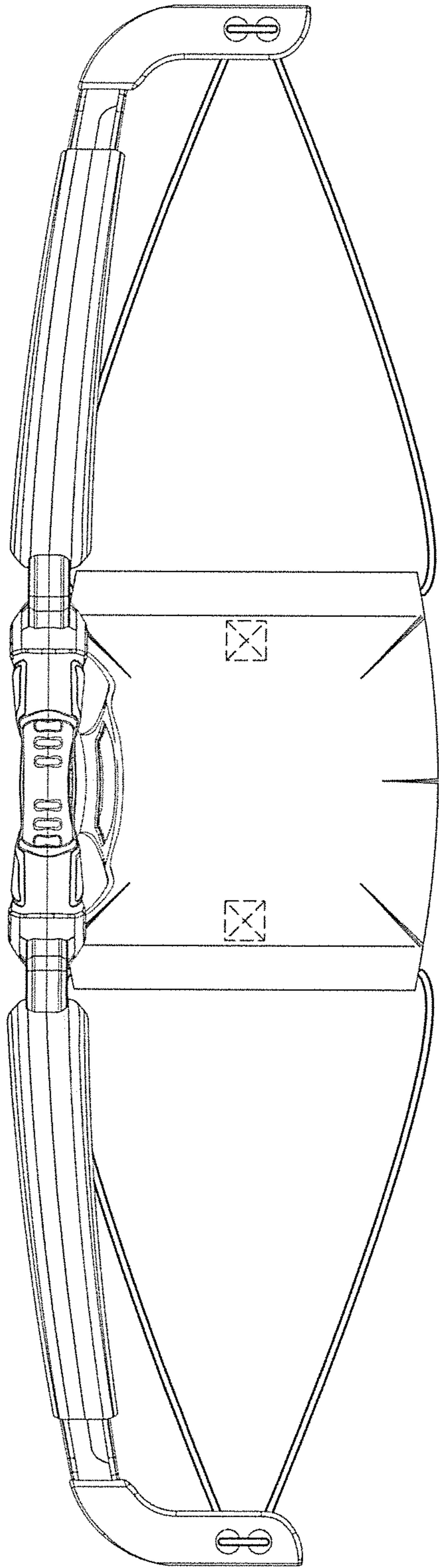


Fig. 3

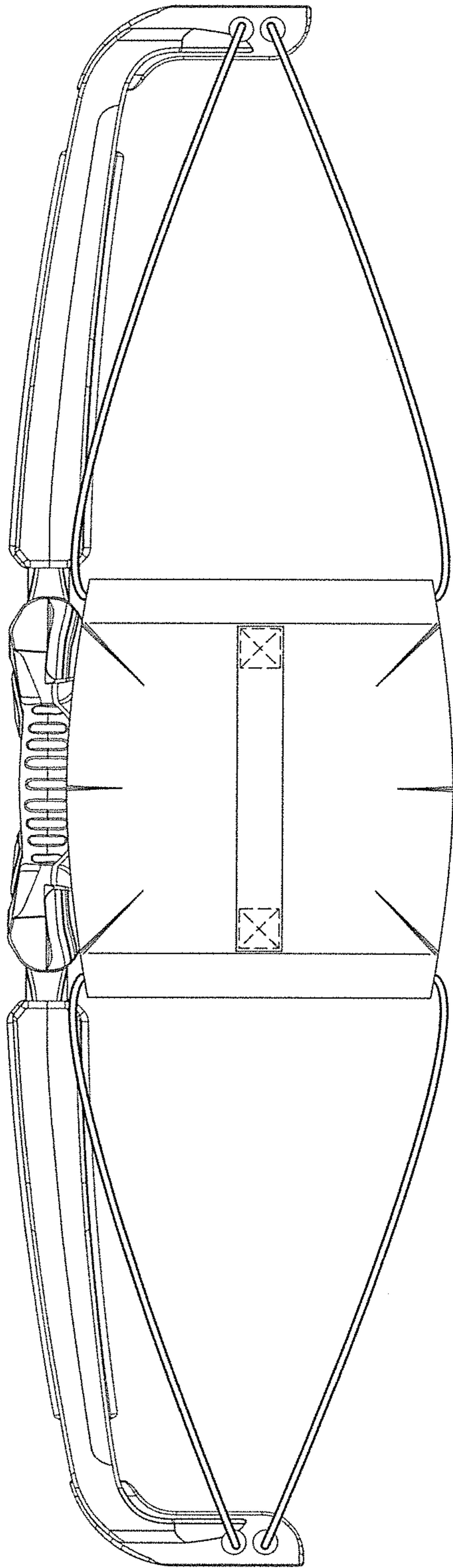


Fig.4

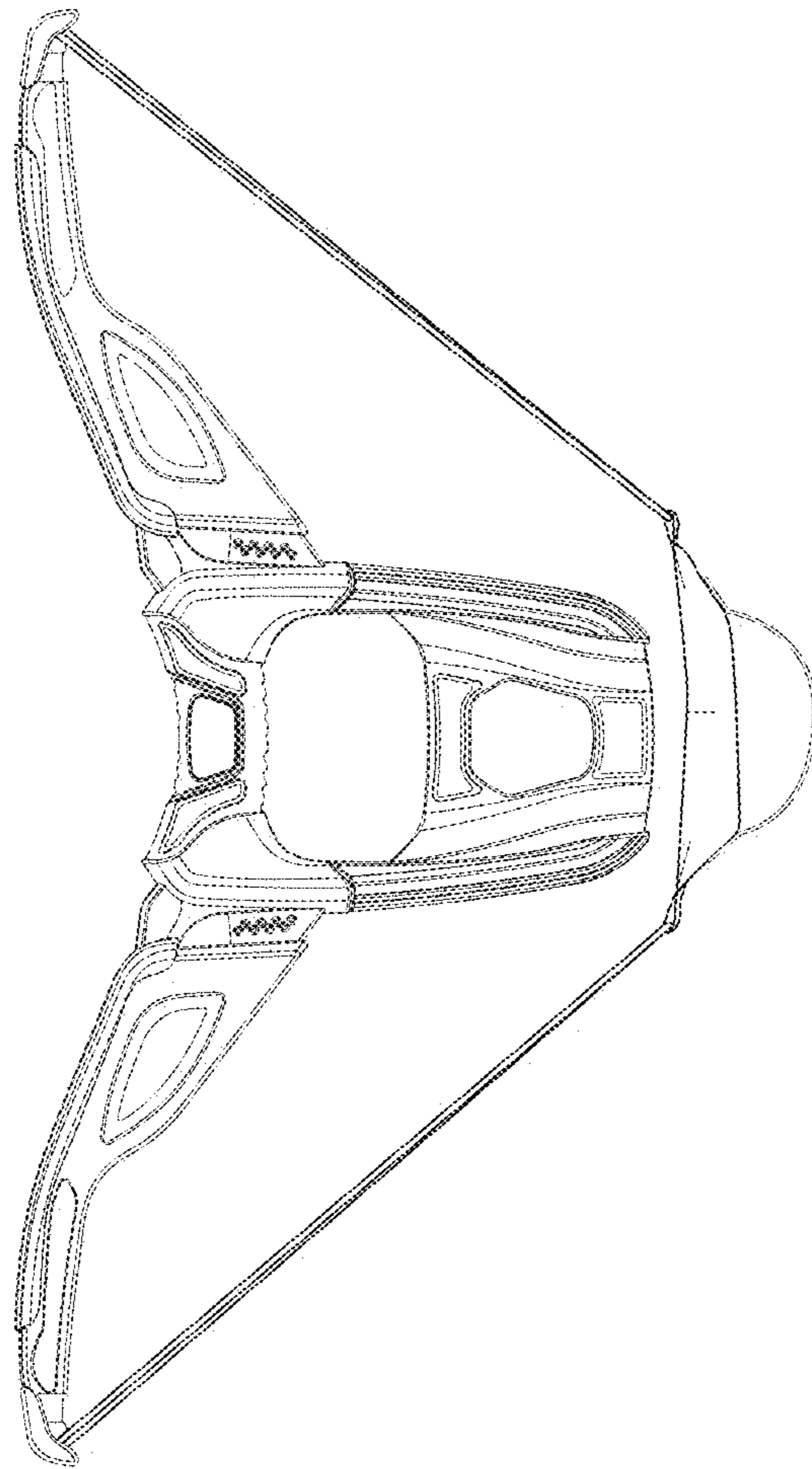


Fig. 5

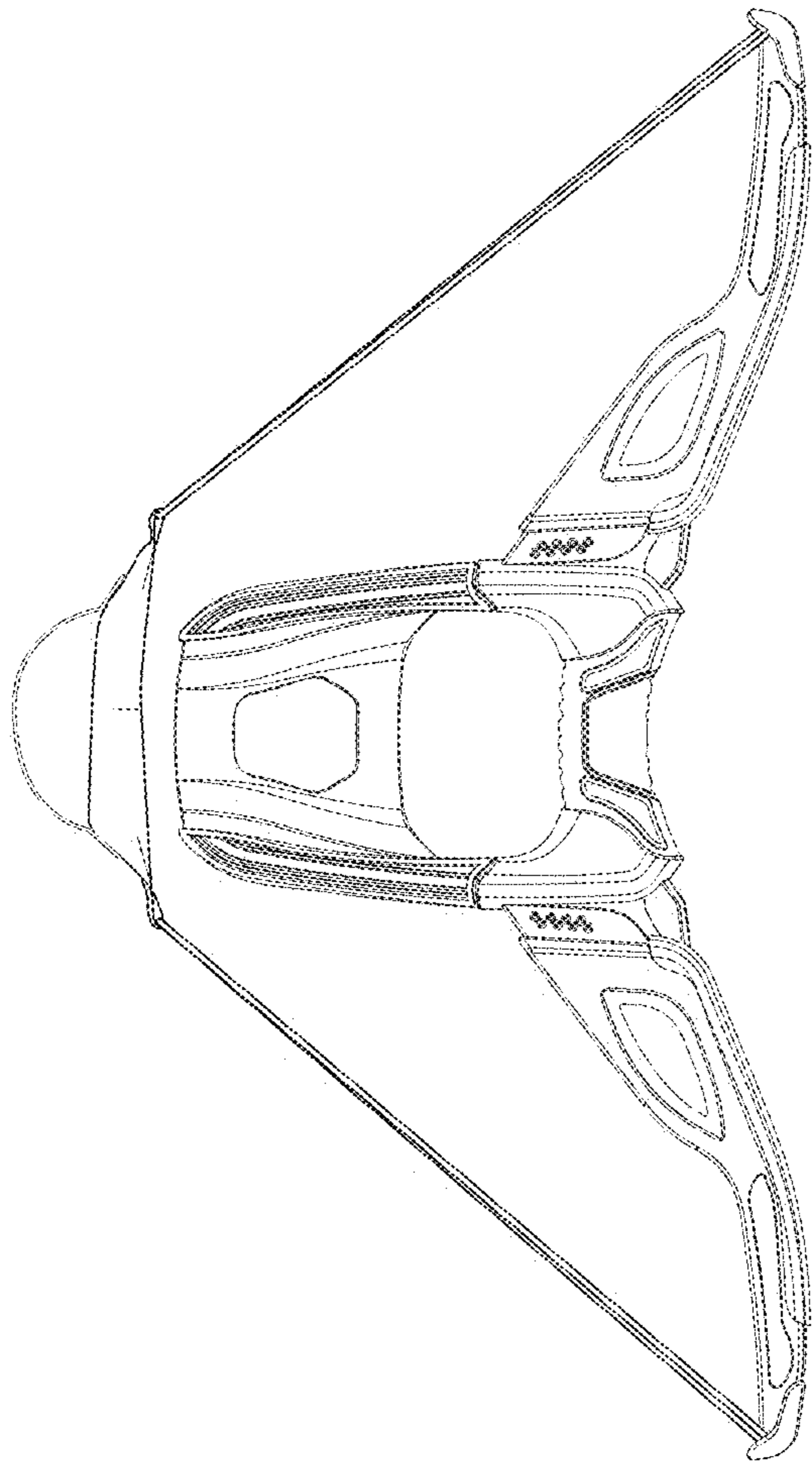


Fig. 6



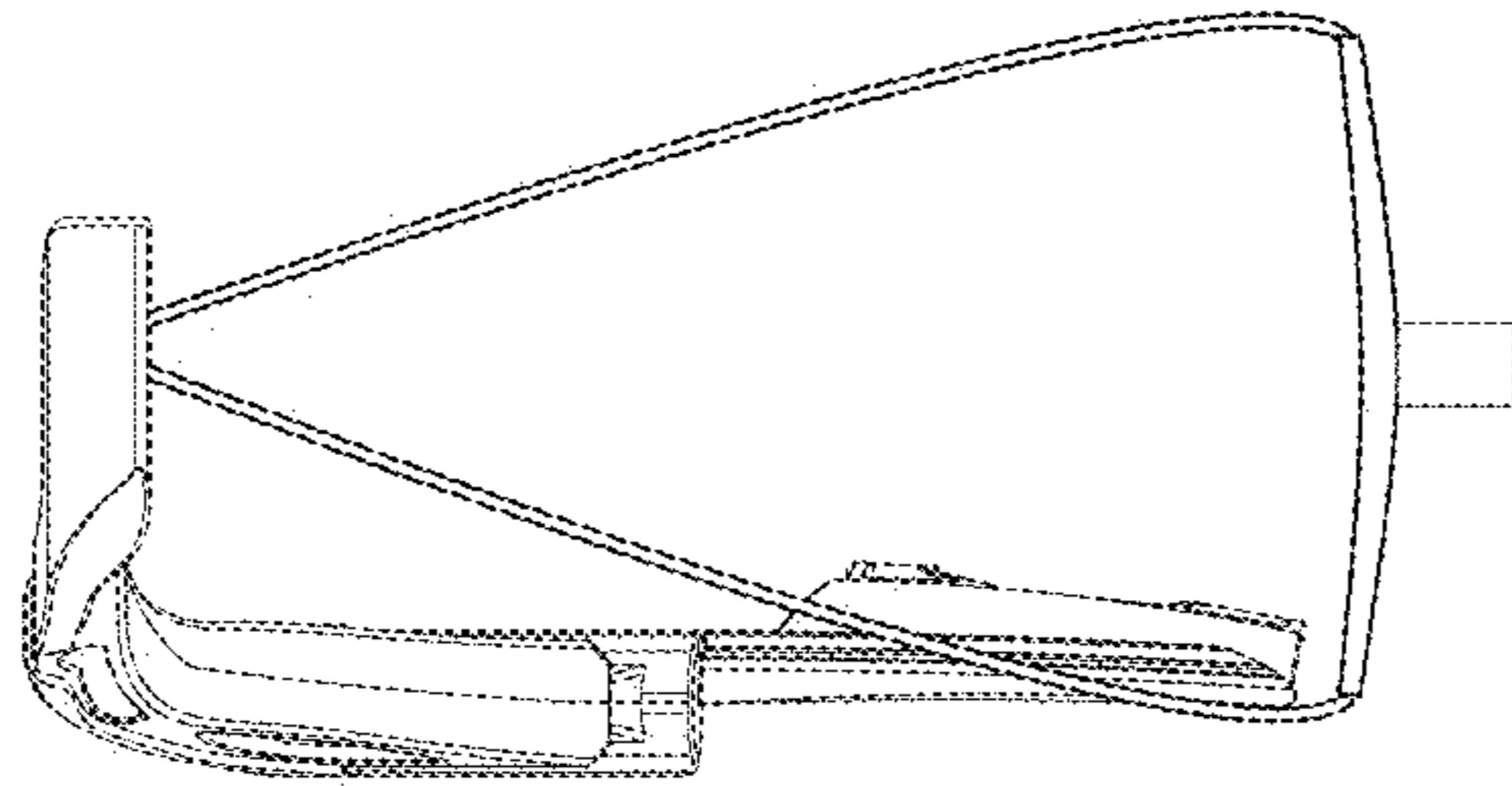


Fig. 7

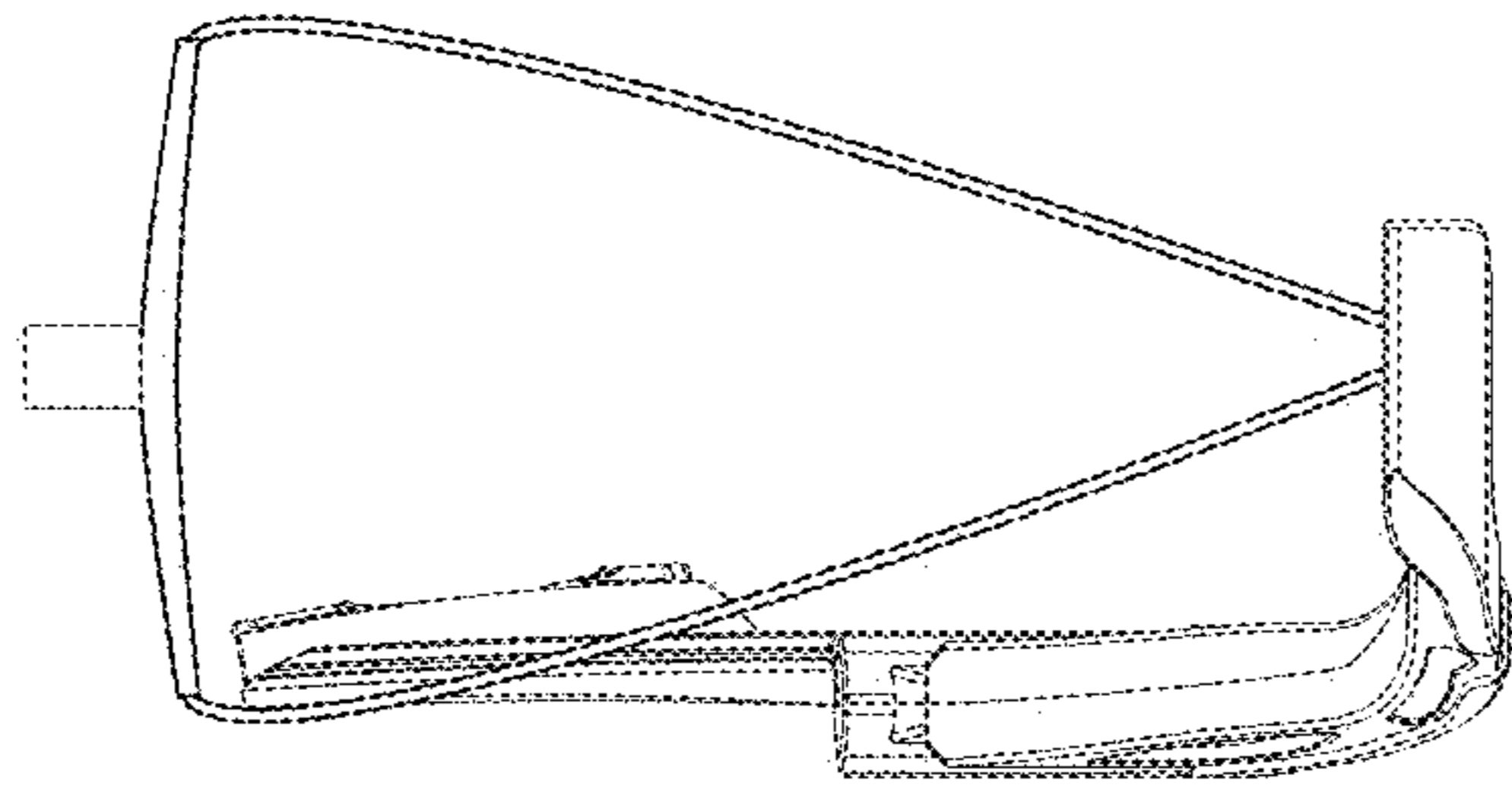


Fig. 8