



US00D881998S

(12) **United States Design Patent**
Lam

(10) **Patent No.:** **US D881,998 S**

(45) **Date of Patent:** **** Apr. 21, 2020**

(54) **FIDGET SPINNER**

(71) Applicant: **Cogsgo Limited**, Kowloon (HK)

(72) Inventor: **Wai Kuen Lam**, Kowloon (HK)

(73) Assignee: **Cogsgo Limited**, Kowloon (HK)

(**) Term: **15 Years**

(21) Appl. No.: **29/676,590**

(22) Filed: **Jan. 11, 2019**

(30) **Foreign Application Priority Data**

Jul. 13, 2018 (HK) 1801425.2

(51) **LOC (12) Cl.** **21-01**

(52) **U.S. Cl.**
USPC **D21/455**

(58) **Field of Classification Search**
USPC D21/374, 444, 455, 457, 460-464, 468,
D21/488, 495, 561, 563; D15/148, 149;
D30/160; 446/46-48, 71, 77, 78, 103,
446/236-266, 450-453, 487; 473/514
CPC .. A63H 1/00-32; A63H 33/00; A63H 33/007;
A63H 33/02; A63H 33/18; A63H 33/042;
A63H 29/20; A63H 31/00; A63H 31/08;
A63B 67/08

See application file for complete search history.

(56) **References Cited**

U.S. PATENT DOCUMENTS

2,920,418 A * 1/1960 Britt A63B 21/0004
446/241
3,370,377 A * 2/1968 Frangos A63H 1/00
446/233
3,936,974 A * 2/1976 House A63H 1/00
446/250
D349,736 S * 8/1994 Hatting D21/561

D364,199 S * 11/1995 Schmidt D21/488
5,512,028 A * 4/1996 Sparks, III A63B 21/0004
446/253
5,961,368 A * 10/1999 Chu A63H 31/00
446/457
D533,232 S * 12/2006 Kawanami D21/444
D683,798 S * 6/2013 Goldman D21/398
9,950,556 B1 * 4/2018 Laemle B43K 29/00
D817,371 S * 5/2018 Karol D15/148
D831,718 S * 10/2018 Zhu D15/148
D860,332 S * 9/2019 Cope D21/443
2017/0221383 A1 * 8/2017 Karol A63H 33/042
2018/0264373 A1 * 9/2018 Wang A63H 33/108

FOREIGN PATENT DOCUMENTS

CN 302790453 * 4/2014
CN 304284563 * 9/2017
CN 304309513 * 10/2017
CN 304322549 * 10/2017
CN 304322697 * 10/2017

(Continued)

Primary Examiner — Catherine A Tuttle

(74) *Attorney, Agent, or Firm* — Muncy, Geissler, Olds & Lowe, P.C.

(57) **CLAIM**

The ornamental design for a fidget spinner, as shown and described.

DESCRIPTION

FIG. 1 is a top, perspective view of a fidget spinner showing my new design;

FIG. 2 is a bottom, perspective view thereof;

FIG. 3 is a top plan view thereof;

FIG. 4 is a bottom plan view thereof;

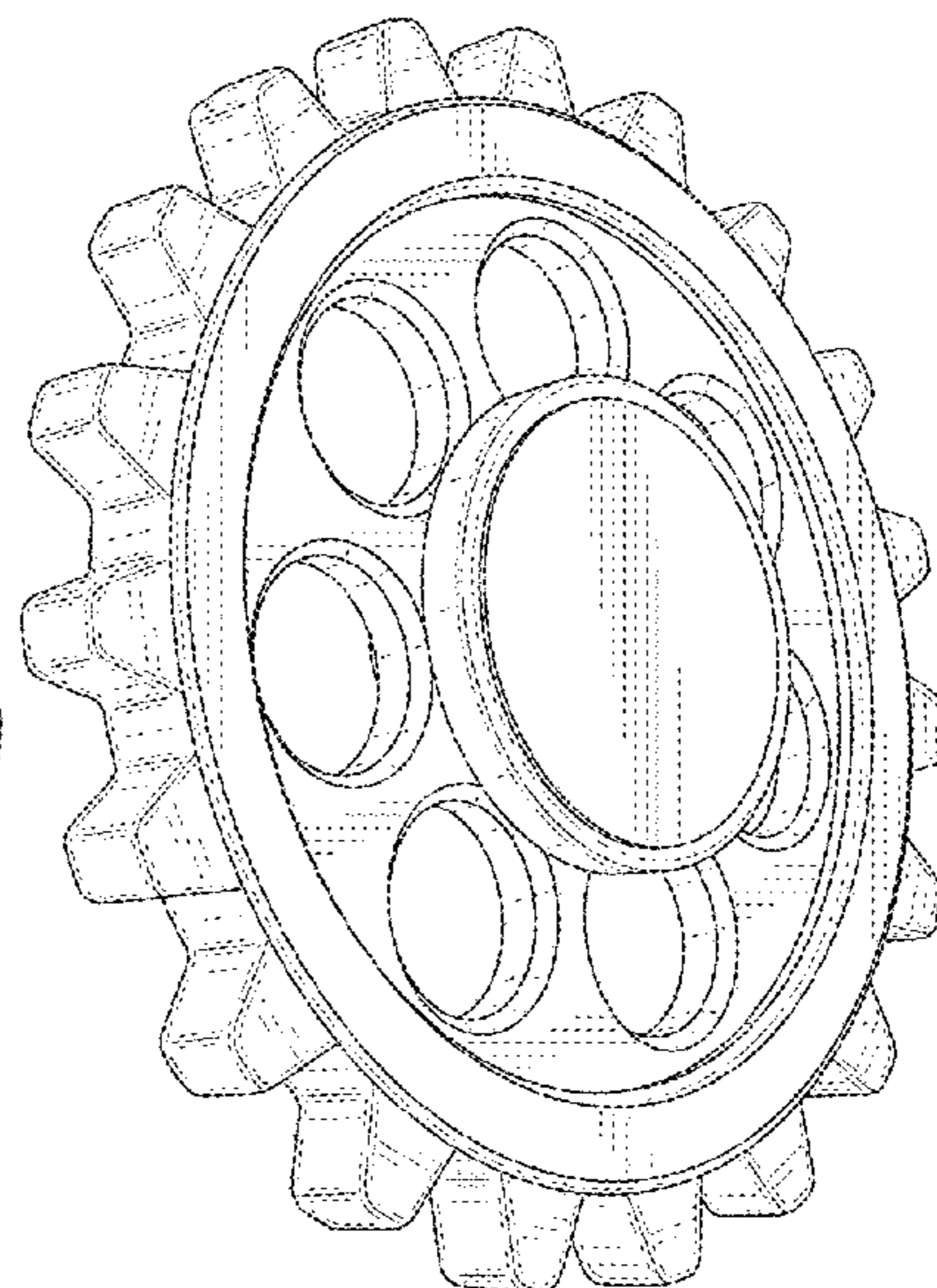
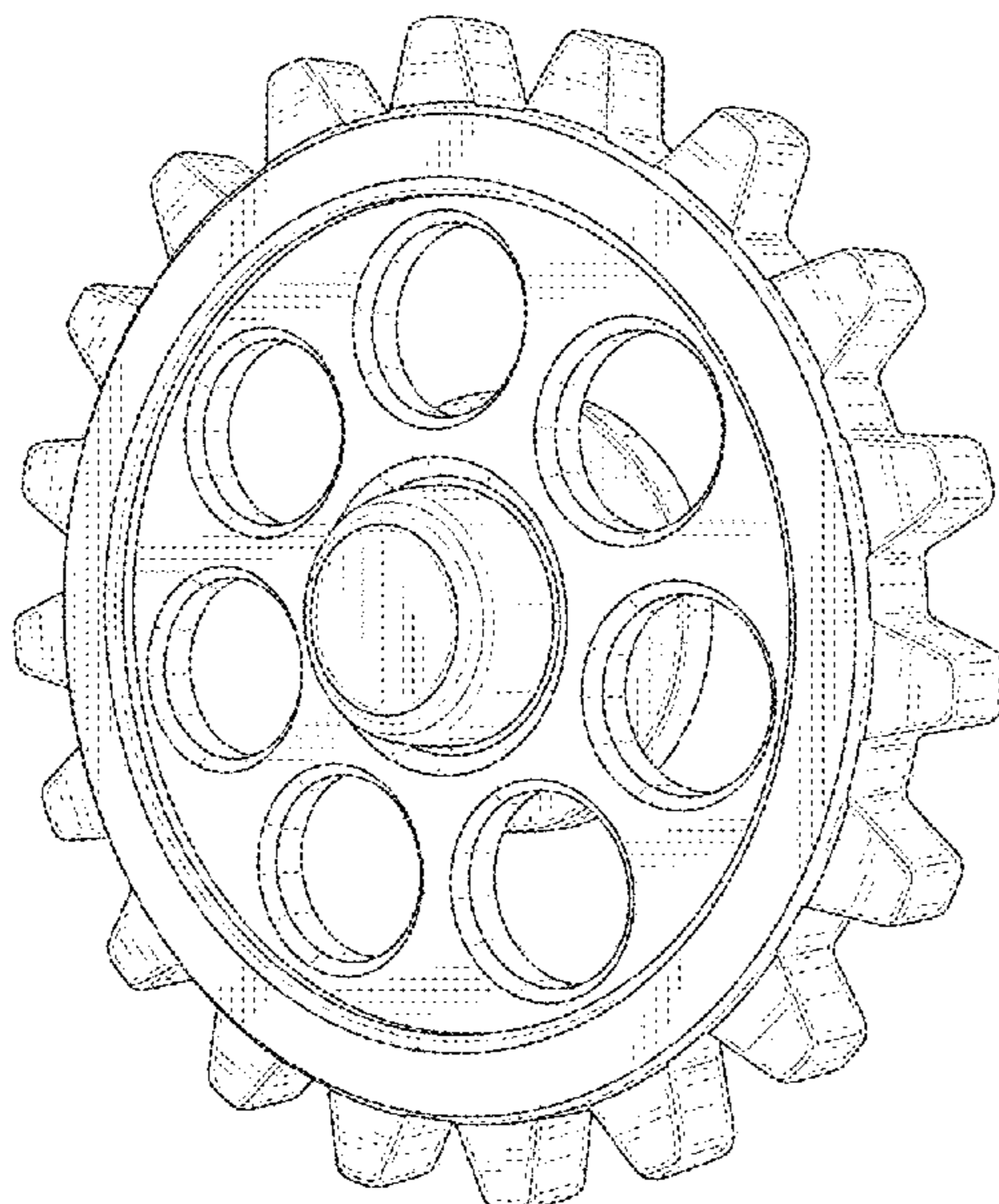
FIG. 5 is a front view thereof;

FIG. 6 is a back view thereof;

FIG. 7 is a left side view thereof; and,

FIG. 8 is right side view thereof.

1 Claim, 8 Drawing Sheets



(56)

References Cited

FOREIGN PATENT DOCUMENTS

CN	304370421	*	11/2017	
CN	304401245	*	12/2017	
DE	102013001528	B3 *	9/2013 A63H 33/12
EM	004001808-0002	*	5/2017	

* cited by examiner

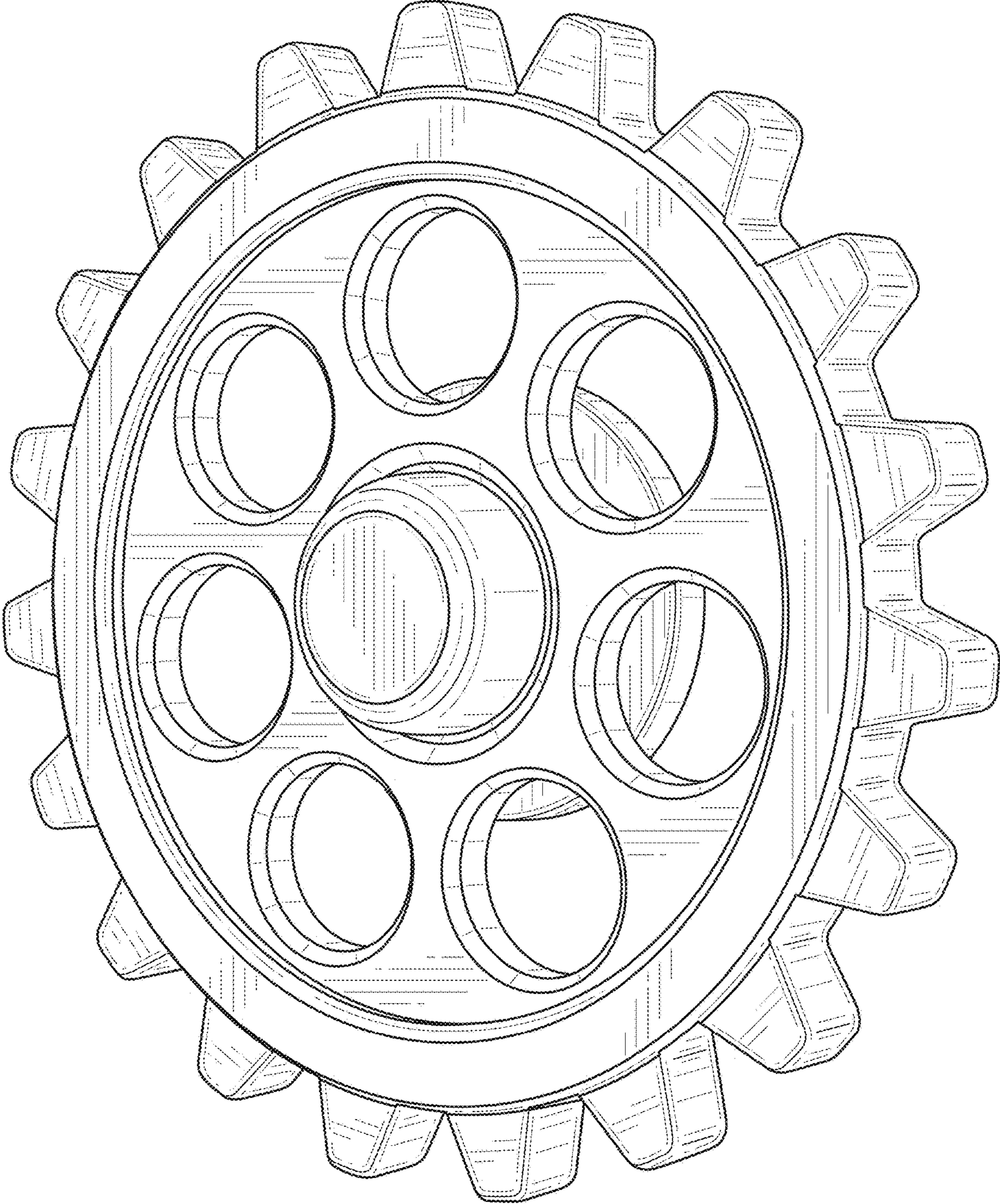


FIG. 1

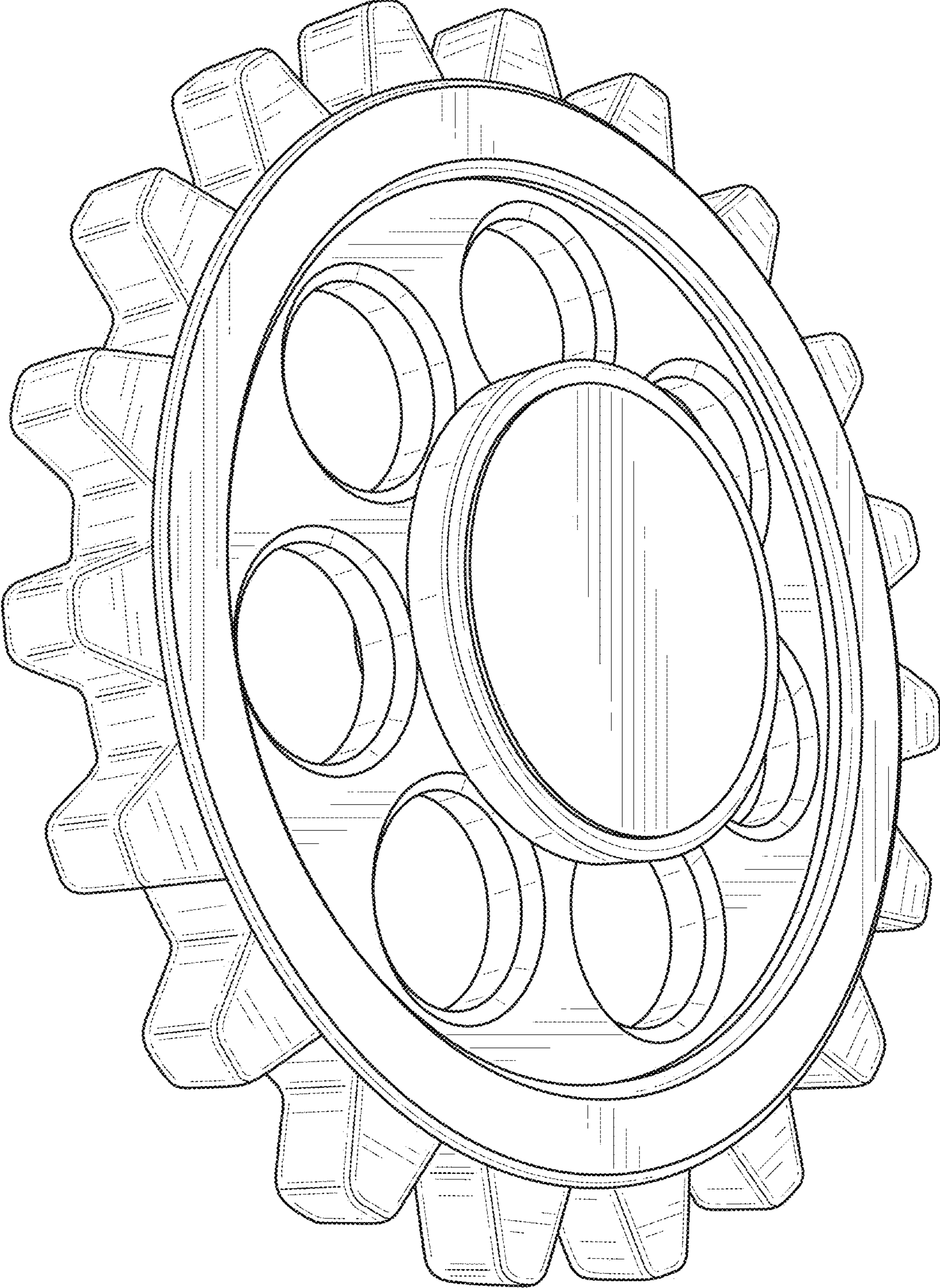


FIG. 2

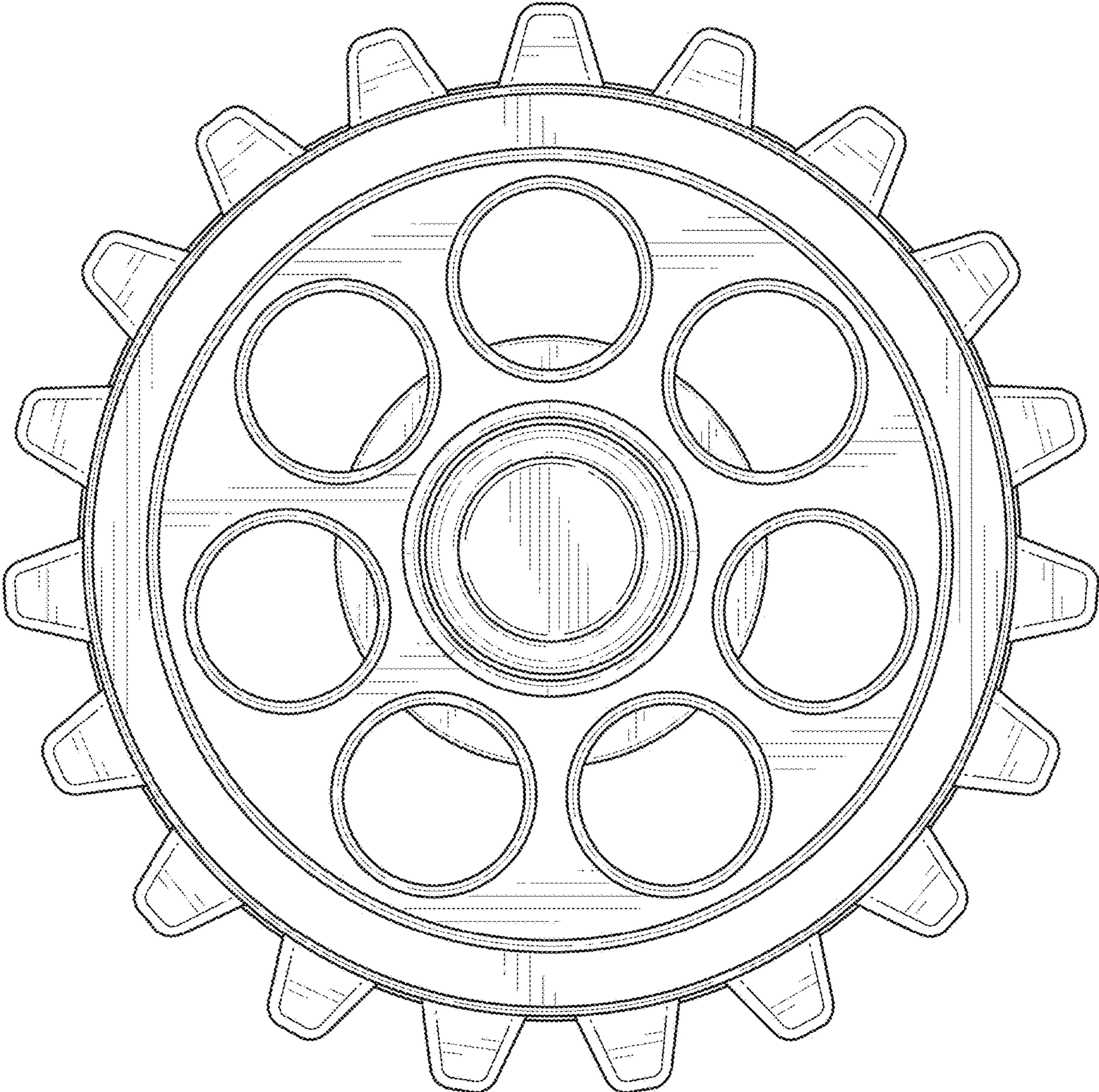


FIG. 3

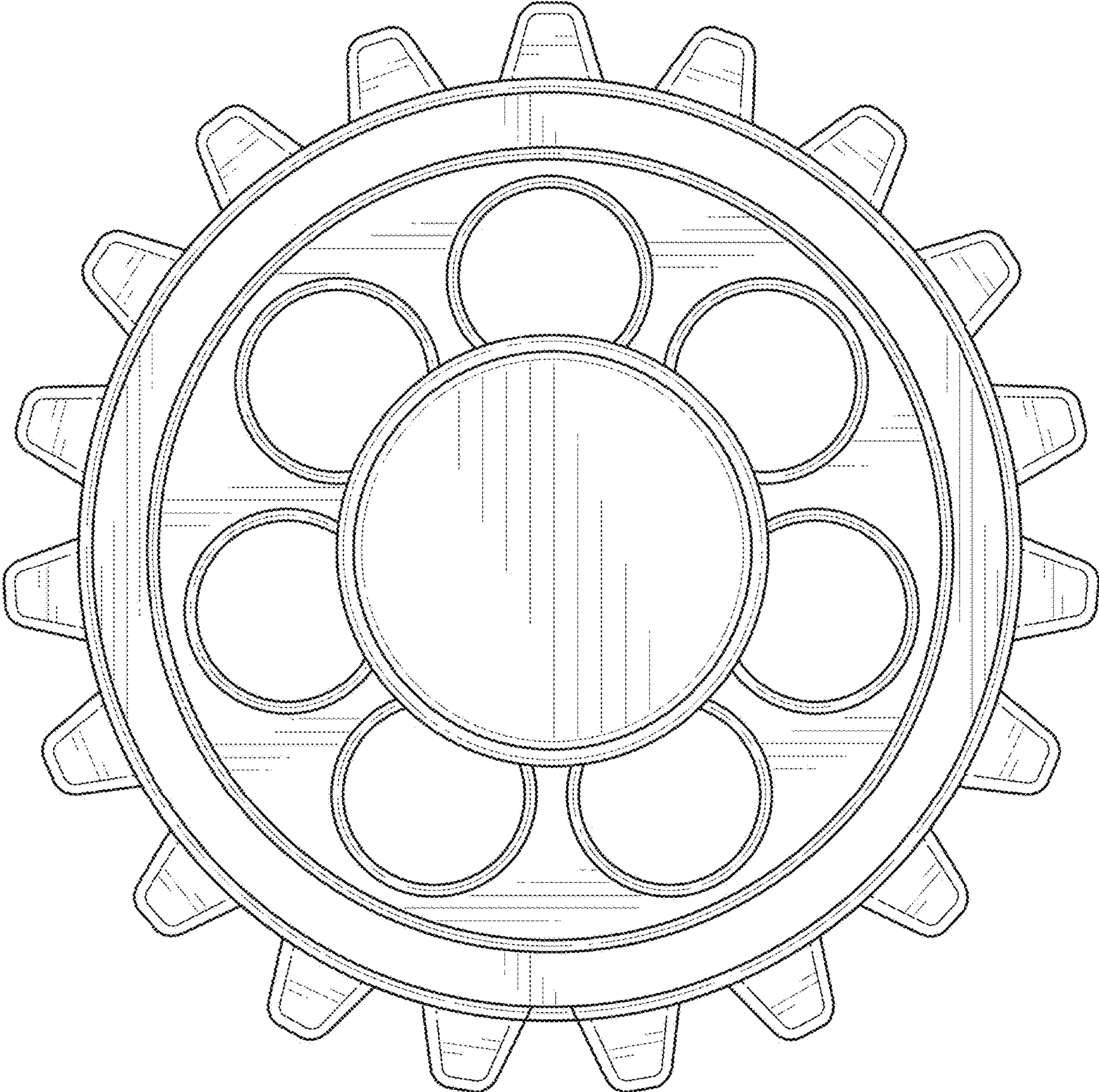


FIG. 4

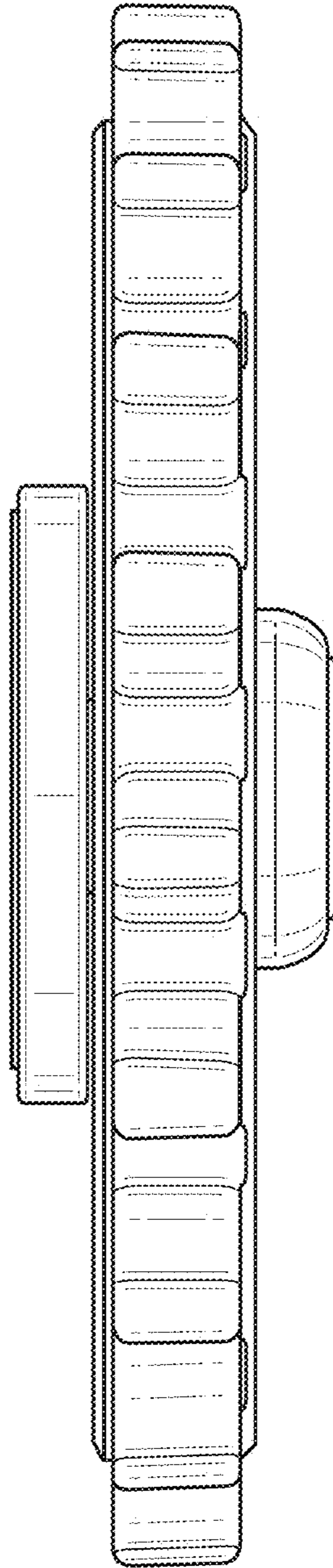


FIG. 5

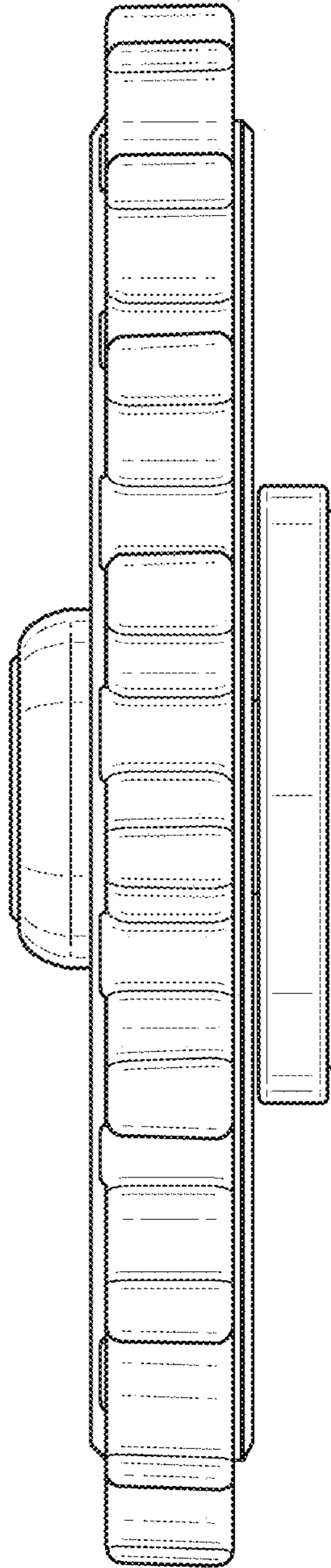


FIG. 6

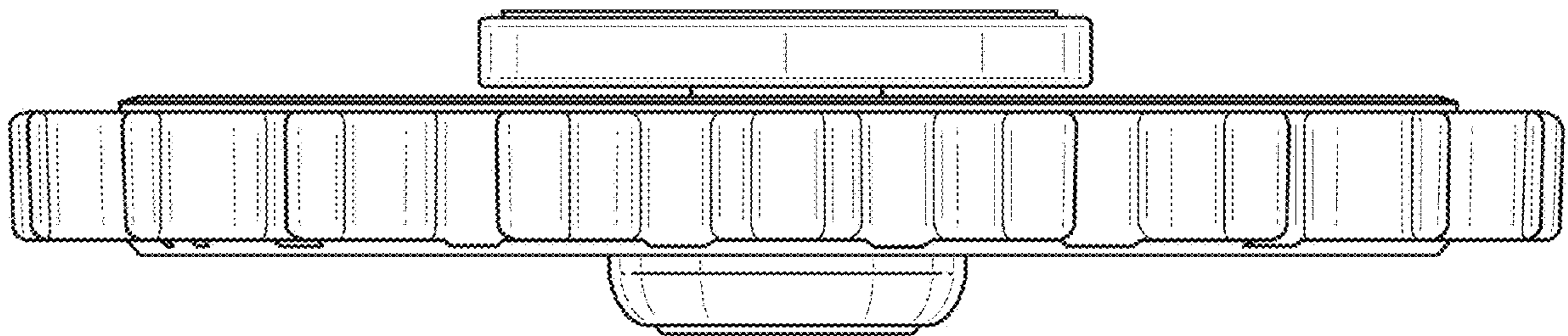


FIG. 7

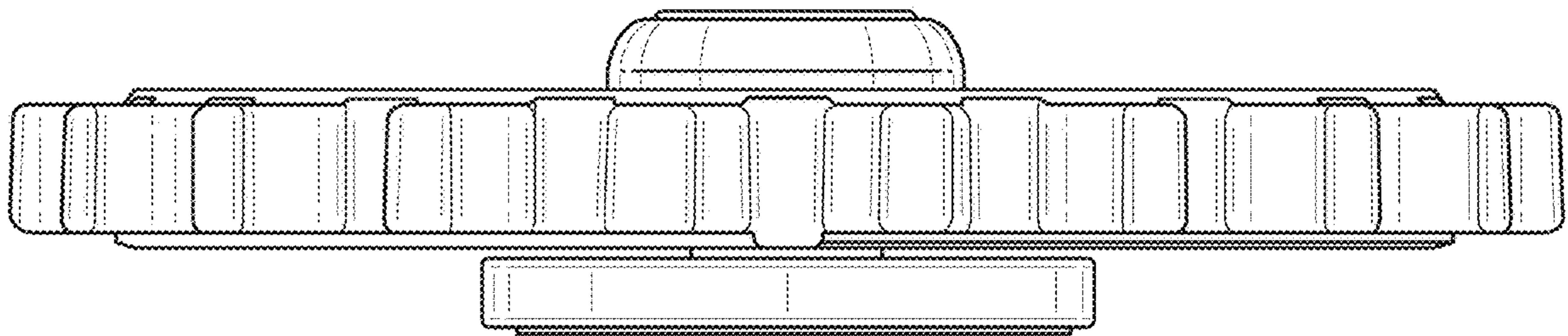


FIG. 8