



US00D881997S

(12) **United States Design Patent** (10) **Patent No.:** **US D881,997 S**  
**Engler et al.** (45) **Date of Patent:** **\*\* Apr. 21, 2020**

(54) **GAME PIECE**

- (71) Applicant: **P&P Imports LLC**, Santa Ana, CA (US)
- (72) Inventors: **Peter Engler**, Newport Beach, CA (US); **Peter Tanoury**, Newport Beach, CA (US)
- (73) Assignee: **P&P Imports LLC**, Irvine, CA (US)
- (\*\*) Term: **15 Years**

(21) Appl. No.: **29/680,019**

(22) Filed: **Feb. 12, 2019**

(51) **LOC (12) Cl.** ..... **21-01**

(52) **U.S. Cl.**  
USPC ..... **D21/386**

(58) **Field of Classification Search**

USPC ..... D21/300, 334, 335, 363, 365, 370,  
D21/385-389, 392, 397  
CPC ..... A63F 7/0017; A63F 7/0023; A63F  
2003/007; A63F 3/02; A63B 67/06; A63B  
2067/063; A63B 2067/065

See application file for complete search history.

(56) **References Cited**

**U.S. PATENT DOCUMENTS**

- 535,535 A \* 3/1895 Gardner ..... A63F 9/20  
273/294
- D123,647 S \* 11/1940 Goldin ..... D21/389
- D231,844 S \* 6/1974 Singleton ..... D21/389
- 4,095,801 A \* 6/1978 Kembar ..... A63F 3/0023  
273/260
- D249,725 S \* 9/1978 Cosman ..... D21/386
- D249,726 S \* 9/1978 Cosman ..... A63F 9/20  
D21/386
- D326,286 S \* 5/1992 Kerivan ..... D21/389
- D392,692 S \* 3/1998 Windom ..... A63F 3/0023  
D21/389

(Continued)

**OTHER PUBLICATIONS**

GoSports Kubb Viking Clash Toss Game Set, by GoSports, on Amazon.com. Retrieved on Feb. 28, 2020. <URL: <https://www.amazon.com/GoSports-Kubb-Viking-Clash-Adults/dp/B07NDZ7D66>> (Year: 2020).\*

*Primary Examiner* — George D. Kirschbaum

*Assistant Examiner* — Joseph J Kukella

(74) *Attorney, Agent, or Firm* — Casey Kempner

(57) **CLAIM**

The ornamental design for a game piece, as shown and described.

**DESCRIPTION**

FIG. 1 is a perspective view of a first embodiment of a game piece showing the claimed design.

FIG. 2 is a front view of the game piece shown in FIG. 1.

FIG. 3 is a back view of the game piece shown in FIG. 1.

FIG. 4 is a left view of the game piece shown in FIG. 1.

FIG. 5 is a right view of the game piece shown in FIG. 1.

FIG. 6 is a bottom view of the game piece shown in FIG. 1.

FIG. 7 is a top view of the game piece shown in FIG. 1.

FIG. 8 is a perspective view of a second embodiment of a game piece showing the claimed design.

FIG. 9 is a front view of the game piece shown in FIG. 8.

FIG. 10 is a back view of the game piece shown in FIG. 8.

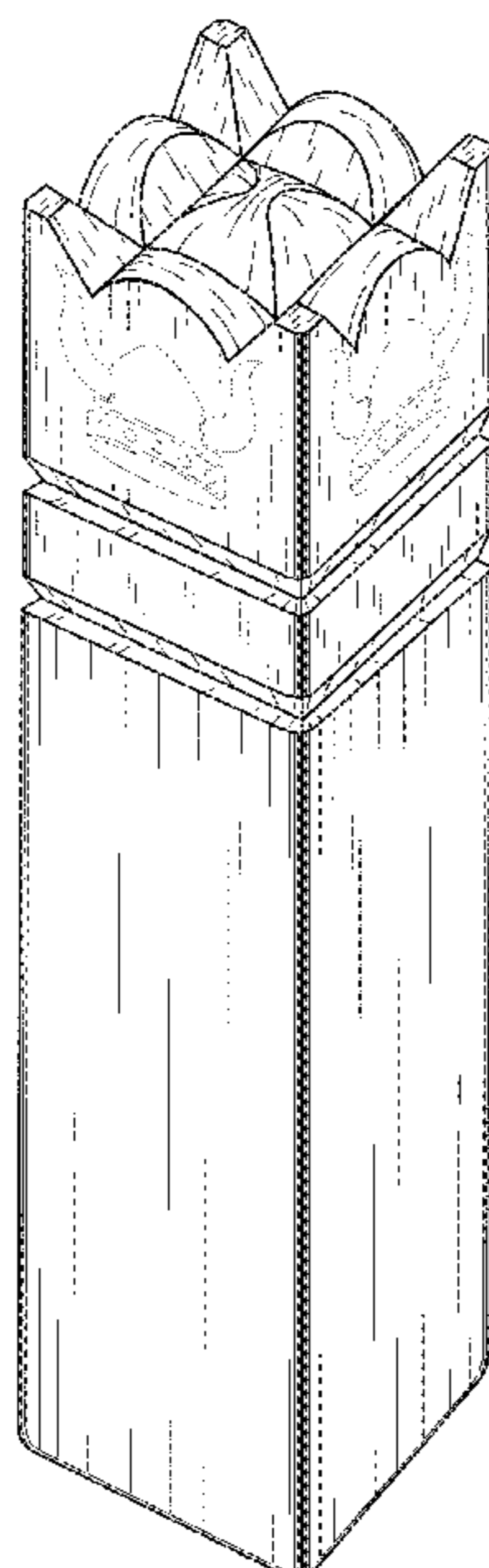
FIG. 11 is a left view of the game piece shown in FIG. 8.

FIG. 12 is a right view of the game piece shown in FIG. 8.

FIG. 13 is a bottom view of the game piece shown in FIG. 8; and,

FIG. 14 is a top view of the game piece shown in FIG. 8. The dashed lines in the figures show portions of the game piece that form no part of the claimed design.

**1 Claim, 14 Drawing Sheets**



(56)

**References Cited**

U.S. PATENT DOCUMENTS

D514,629 S \* 2/2006 Butcher ..... D21/386  
D691,669 S \* 10/2013 Chen ..... D21/302

\* cited by examiner

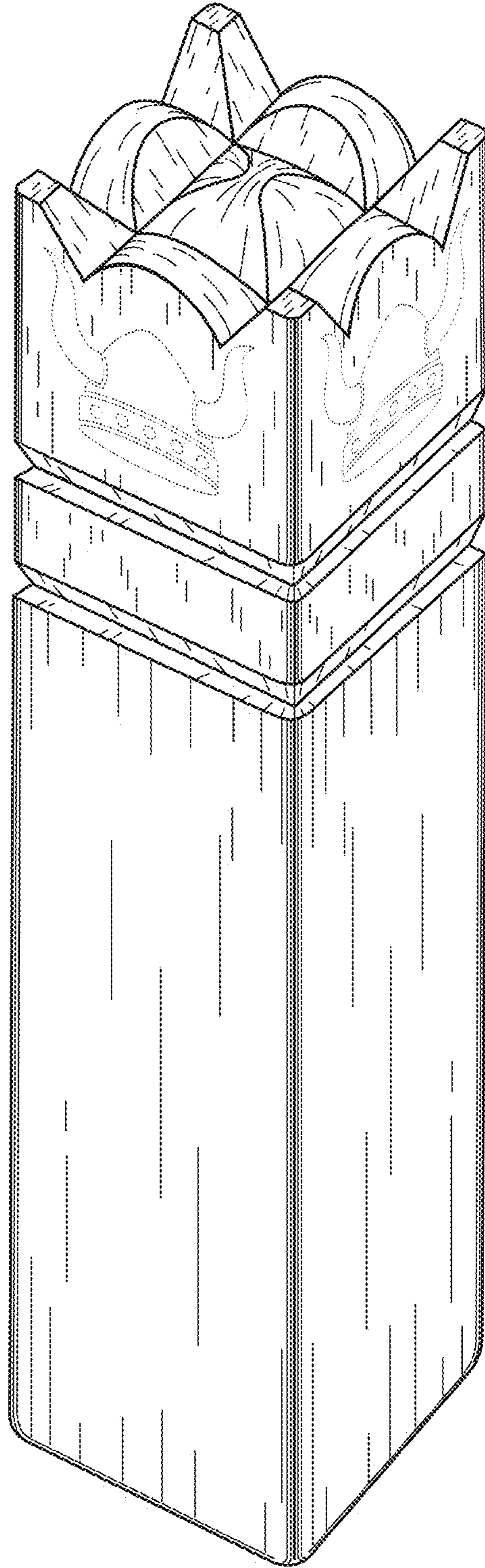


FIG. 1

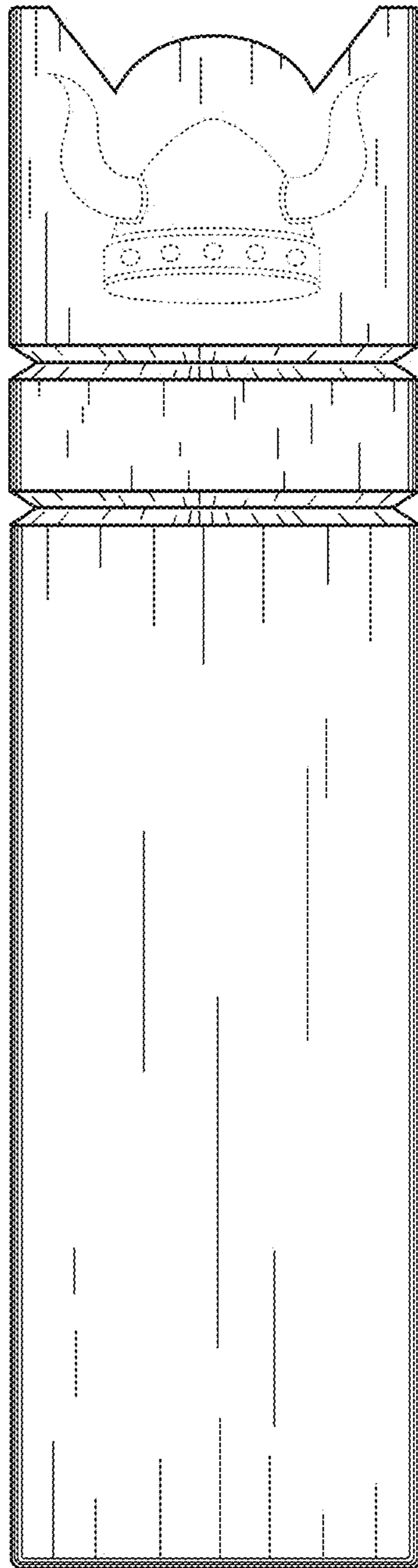


FIG. 2

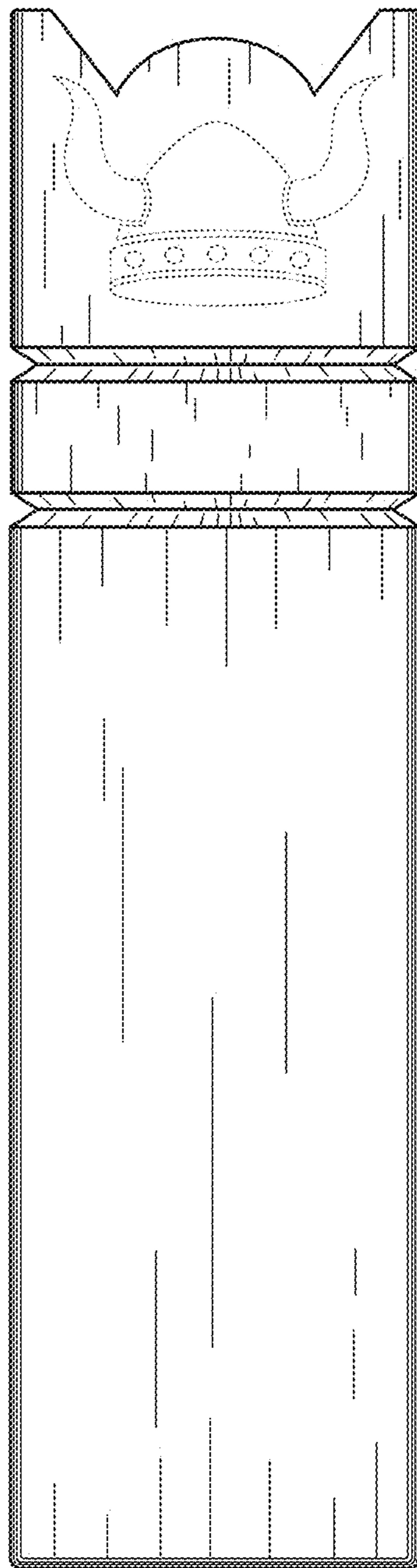


FIG. 3

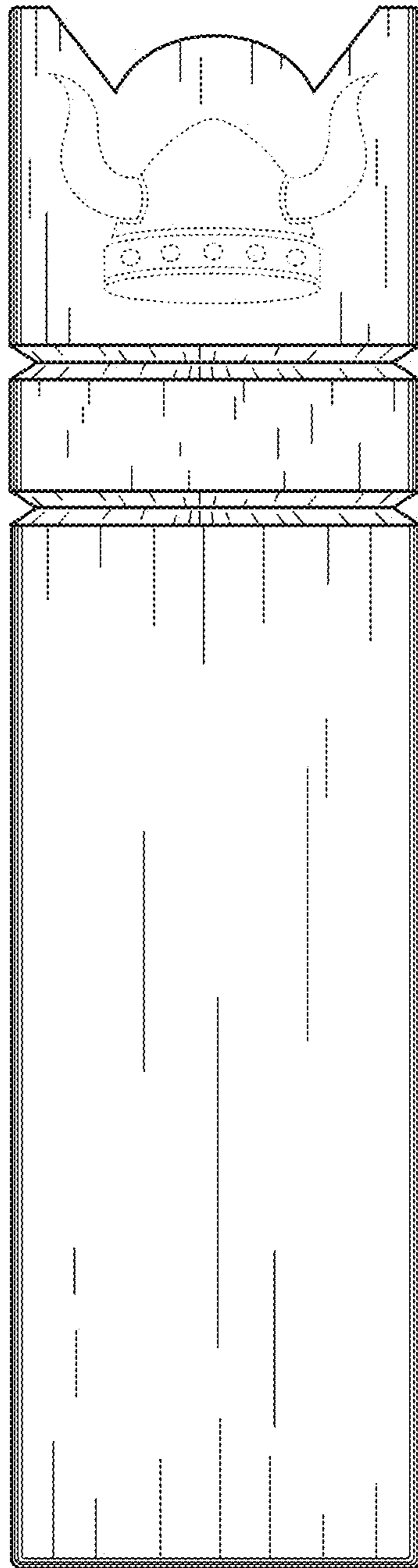


FIG. 4

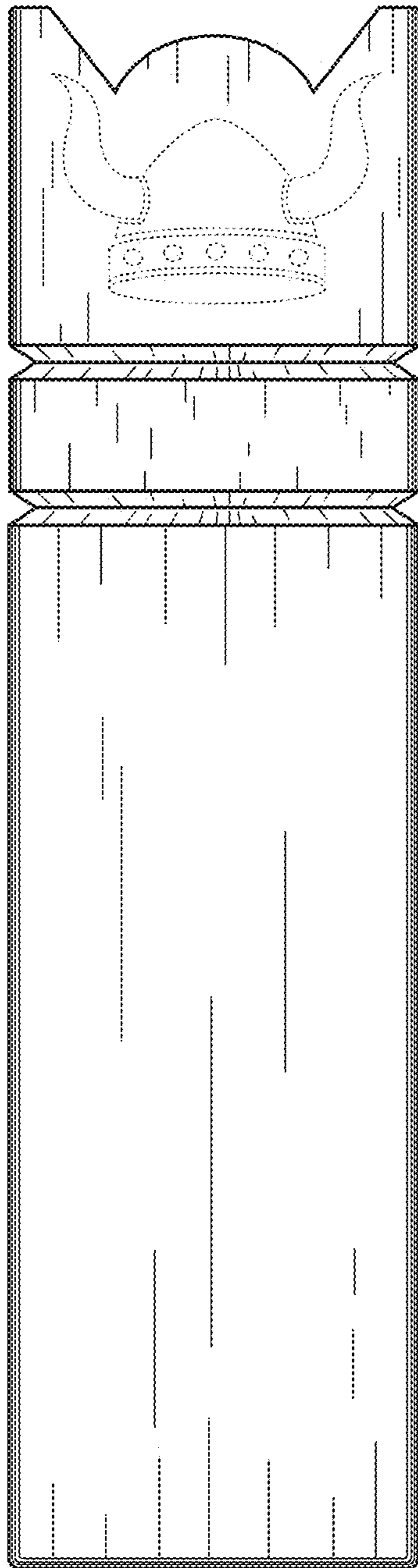


FIG. 5

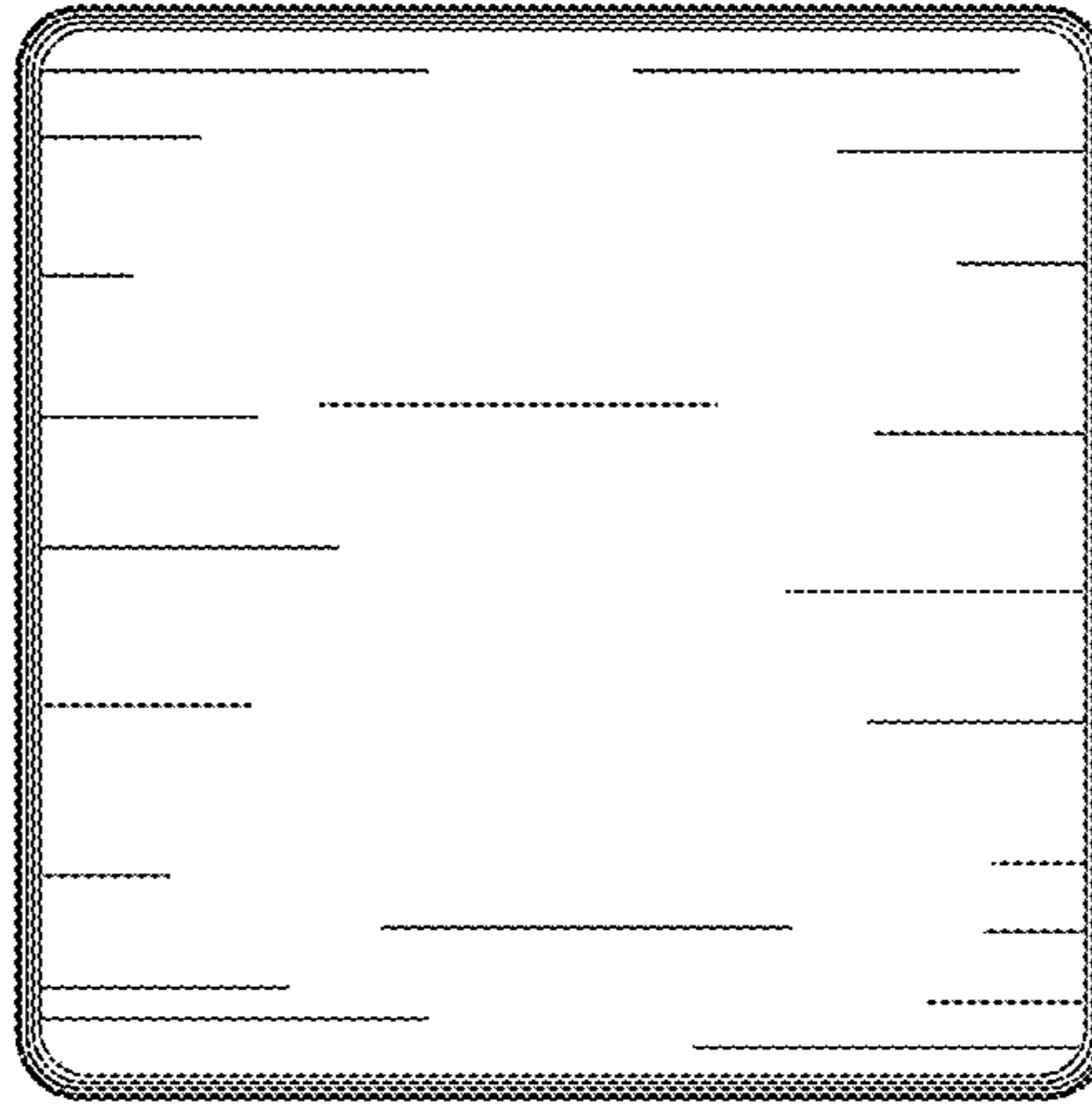


FIG. 6



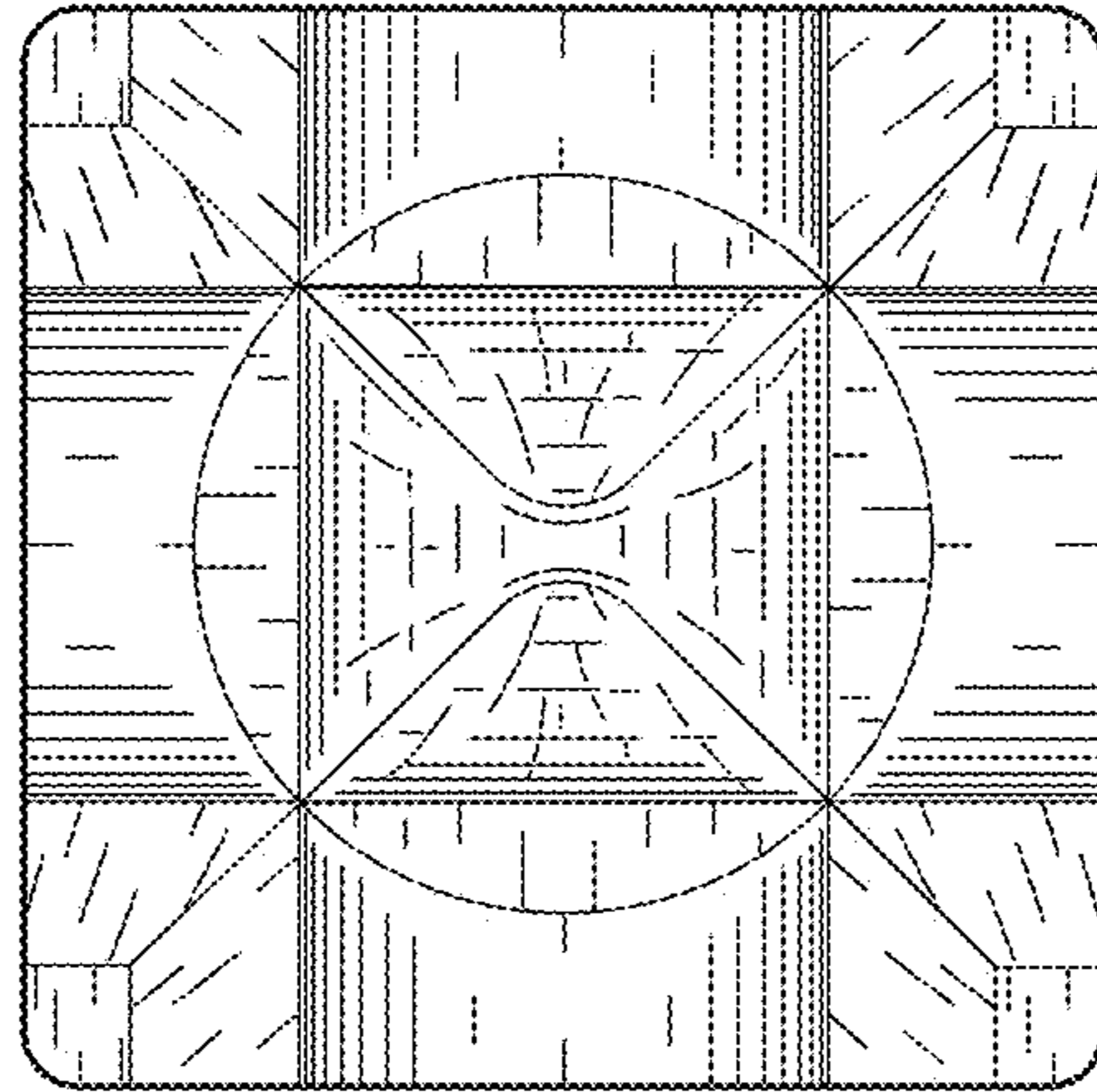


FIG. 7

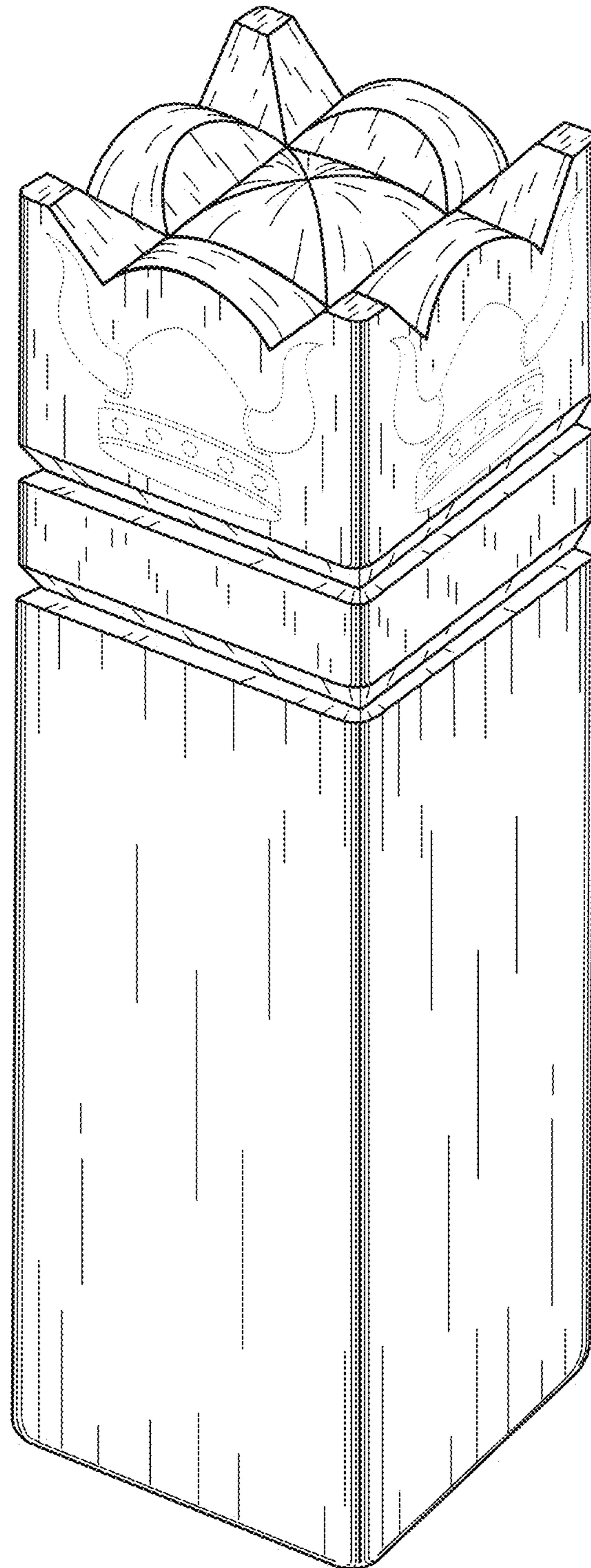


FIG. 8

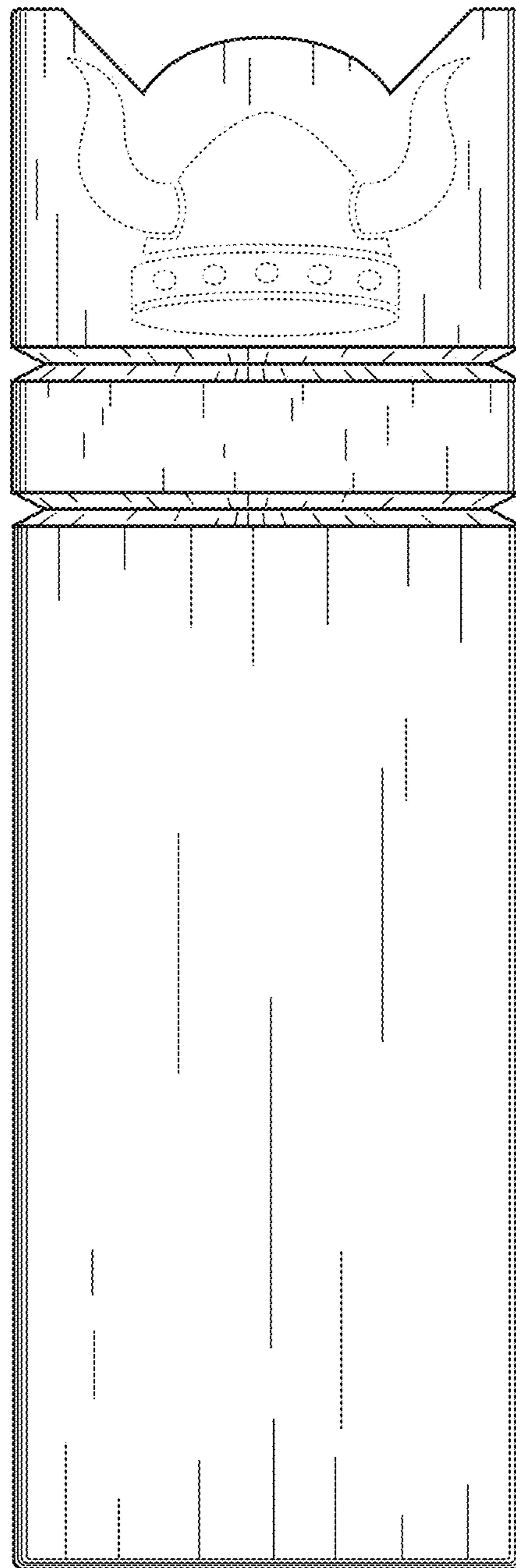


FIG. 9

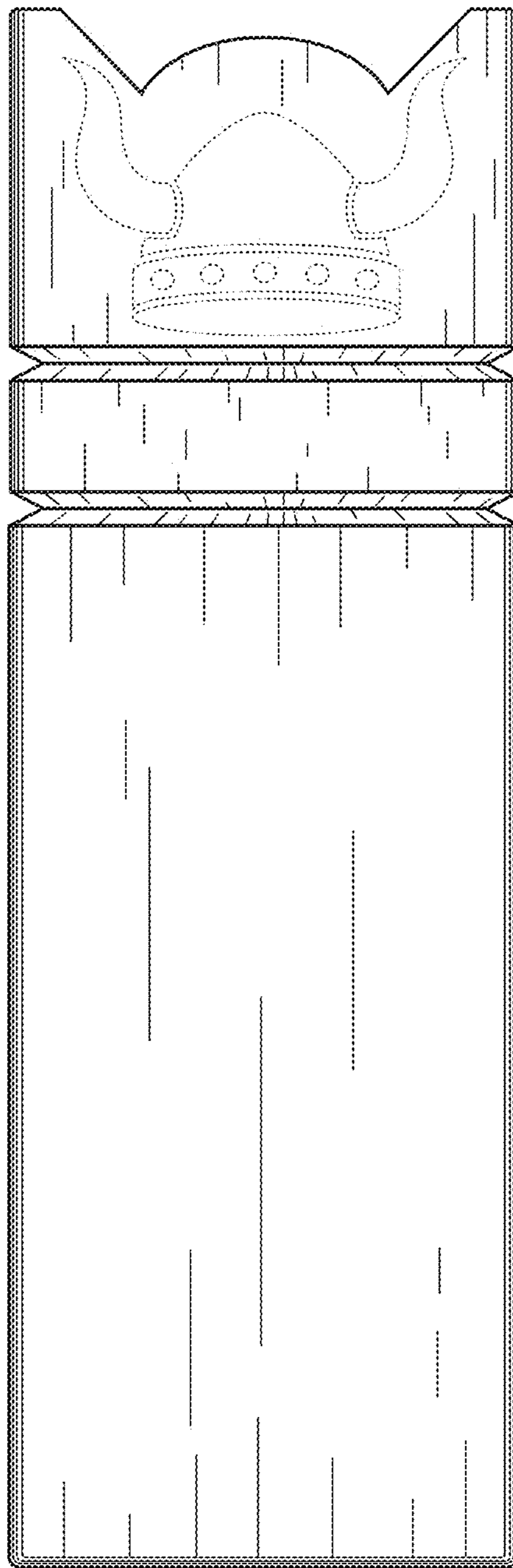


FIG. 10

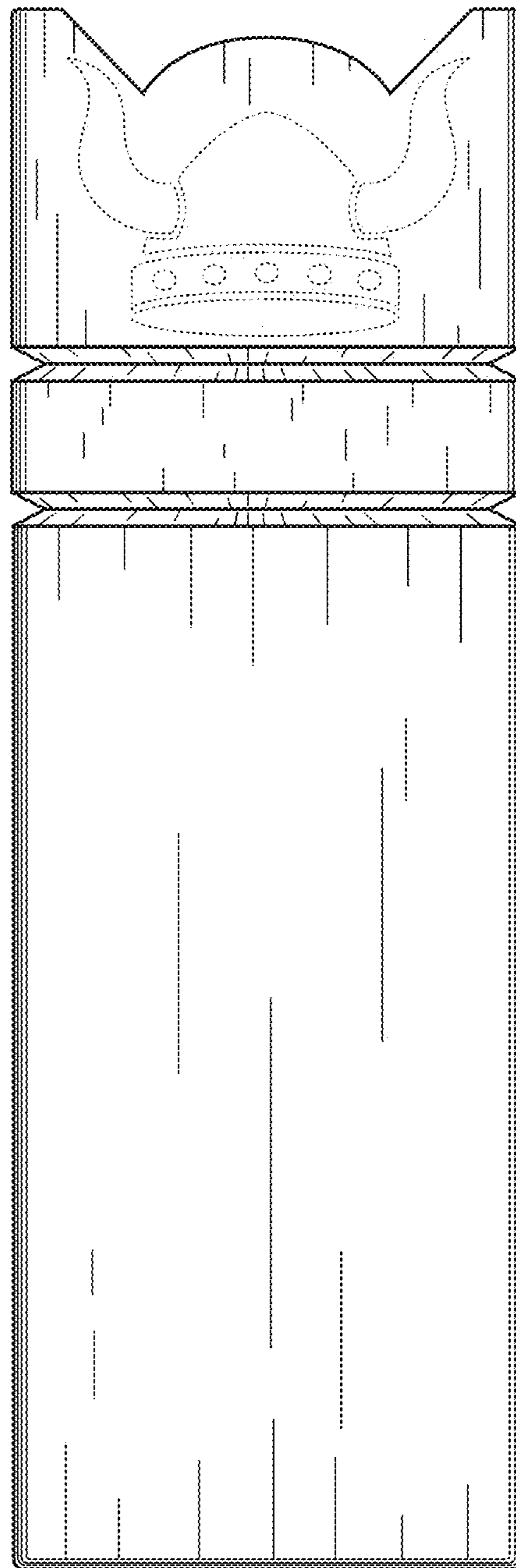


FIG. 11

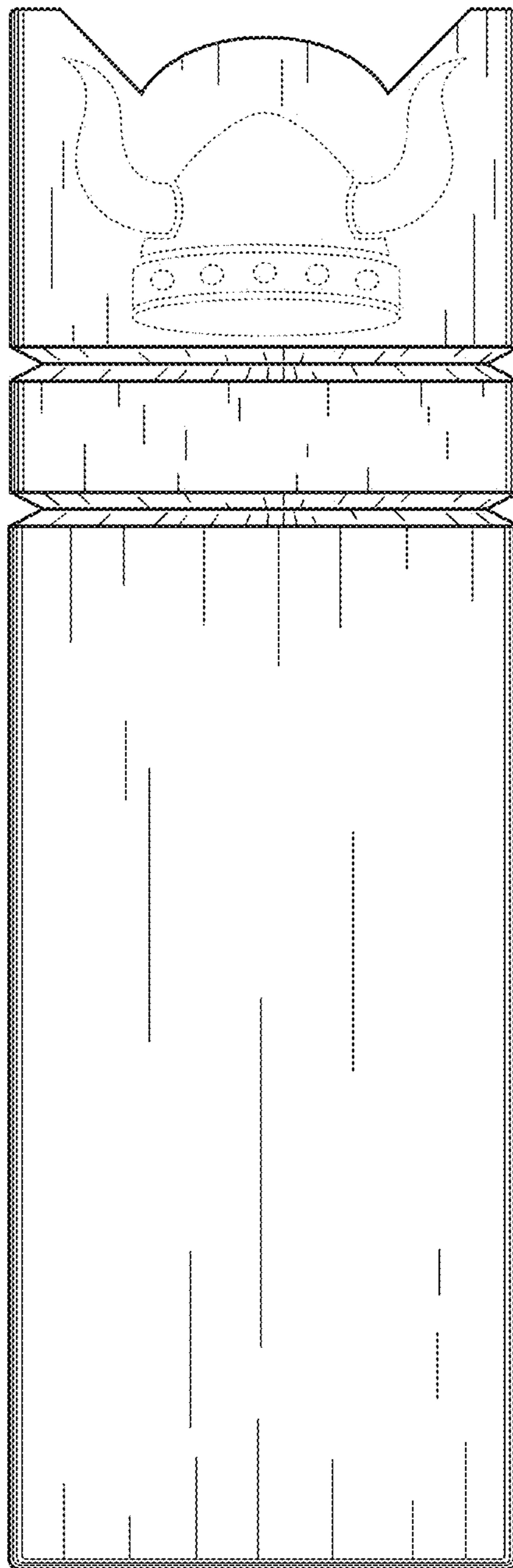


FIG. 12

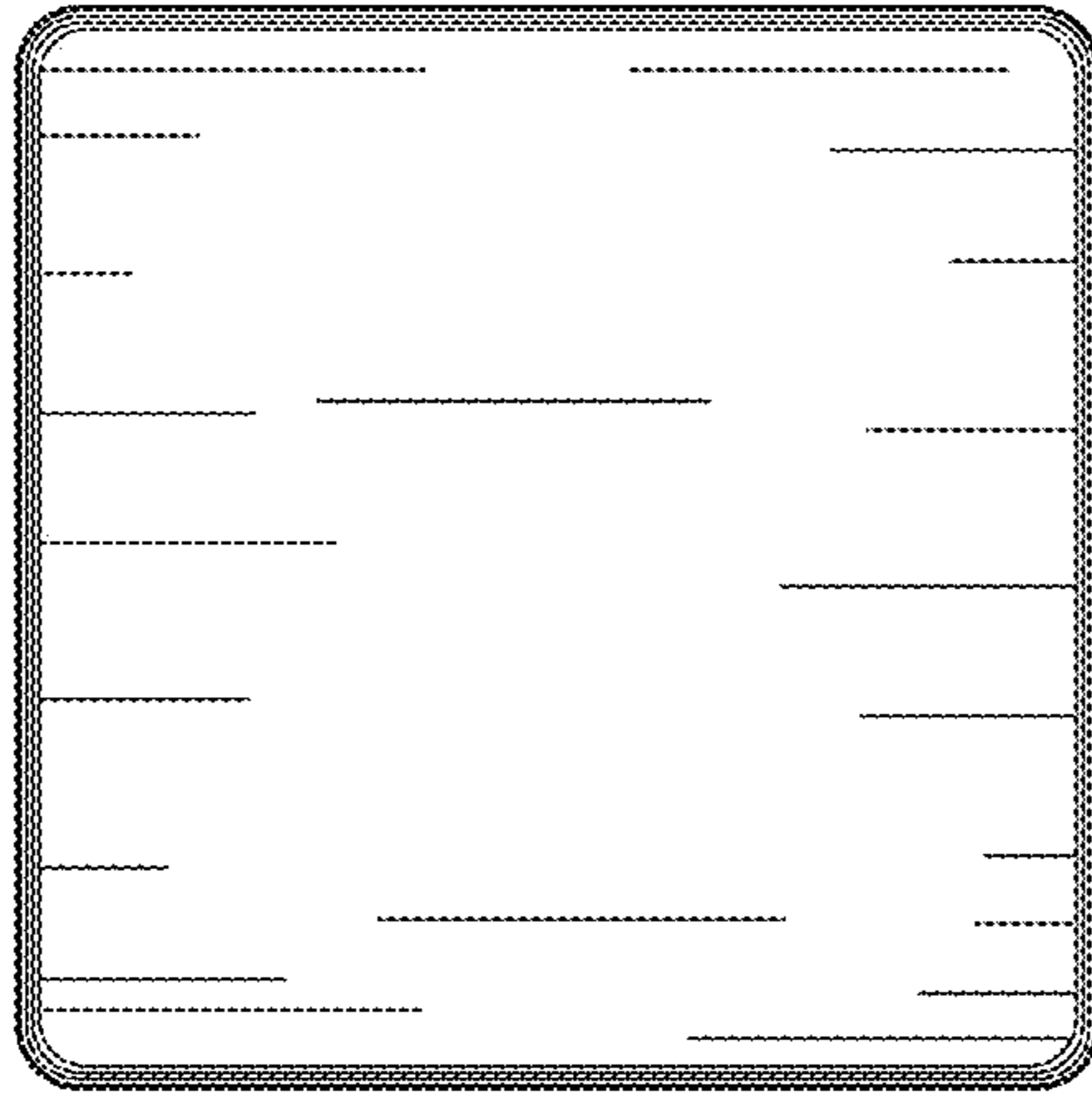


FIG. 13

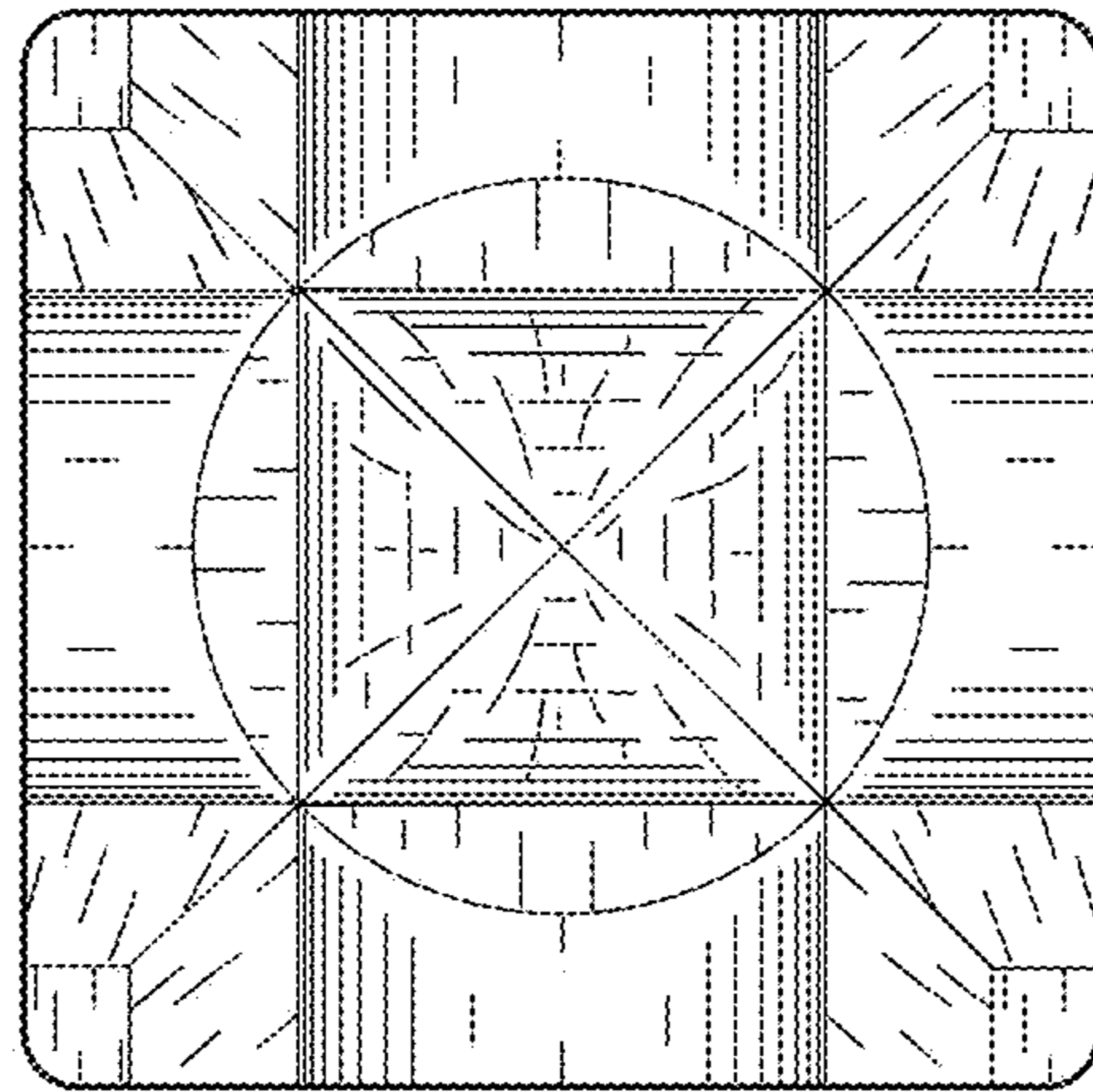


FIG. 14