



US00D881995S

(12) **United States Design Patent** (10) **Patent No.:** **US D881,995 S**  
**Bernard et al.** (45) **Date of Patent:** **\*\* Apr. 21, 2020**

(54) **GAMING MACHINE**

FOREIGN PATENT DOCUMENTS

(71) Applicant: **BALLY GAMING, INC.**, Las Vegas, NV (US)

AU 201811904 4/2018  
AU 201811905 4/2018

(Continued)

(72) Inventors: **Vernon Bernard**, Las Vegas, NV (US);  
**Robert J. Glenn, II**, Chicago, IL (US);  
**Scott T. Hilbert**, Sparks, NV (US);  
**Christian Kulujian**, Chicago, IL (US);  
**Paul M. Lesley**, Chicago, IL (US);  
**Gordon Myers**, Reno, NV (US); **Karl Wudtke**, Henderson, NV (US)

OTHER PUBLICATIONS

AU Optronics Corp.; News Center. "AUO Announces Multiple Upcoming Innovations"; Oct. 27, 2008; retrieved from <http://www.auo.com/?sn=107&lang=en-US&c=10&n=363> on Mar. 3, 2017 (2 pages).

(Continued)

(73) Assignee: **SG Gaming, Inc.**, Las Vegas, NV (US)

*Primary Examiner* — Ryan Harvey

(\*\*) Term: **15 Years**

(74) *Attorney, Agent, or Firm* — Banner & Witcoff, Ltd.

(21) Appl. No.: **29/657,686**

(22) Filed: **Jul. 24, 2018**

(57) **CLAIM**

(51) **LOC (12) Cl.** ..... **21-01**

The ornamental design for a gaming machine, as shown and described.

(52) **U.S. Cl.**

USPC ..... **D21/369**

(58) **Field of Classification Search**

**DESCRIPTION**

USPC ..... D21/369, 370, 371, 385, 329, 325, 394;  
D14/307, 172, 129, 325, 401, 371, 126,  
D14/439, 432, 450, 128, 375, 248, 374,  
D14/341, 138 G, 127; 463/28, 13, 11,  
463/16, 20, 25, 31, 46, 23, 30, 17, 36, 29,  
463/42, 34, 32, 35, 19, 21, 22; 273/292,  
273/203, 138.2, 143 R, 142 R, 138.1;  
D19/60; D16/226; D8/335, 331, 334;  
D26/141; D7/641

FIG. 1 is a front right top perspective view of a gaming machine showing our new design;  
FIG. 2 is a top view thereof;  
FIG. 3 is a front view thereof;  
FIG. 4 is a right side view thereof;  
FIG. 5 is a rear side view thereof;  
FIG. 6 is a left view thereof; and,  
FIG. 7 is a cross-section view thereof taken through line 7-7 of FIG. 2.

CPC ..... G07F 17/32; G07F 17/34; G07F 17/3211;  
G07F 17/3244; G07F 17/3267

See application file for complete search history.

The broken lines immediately adjacent to a shaded area define the bounds of the claimed design and form no part thereof. The broken lines depicting the remainder of the gaming machine illustrate environmental structure and form no part of the claimed design. The curved oblique line shading shows that the surface is a transparent, translucent, highly polished or reflective surface.

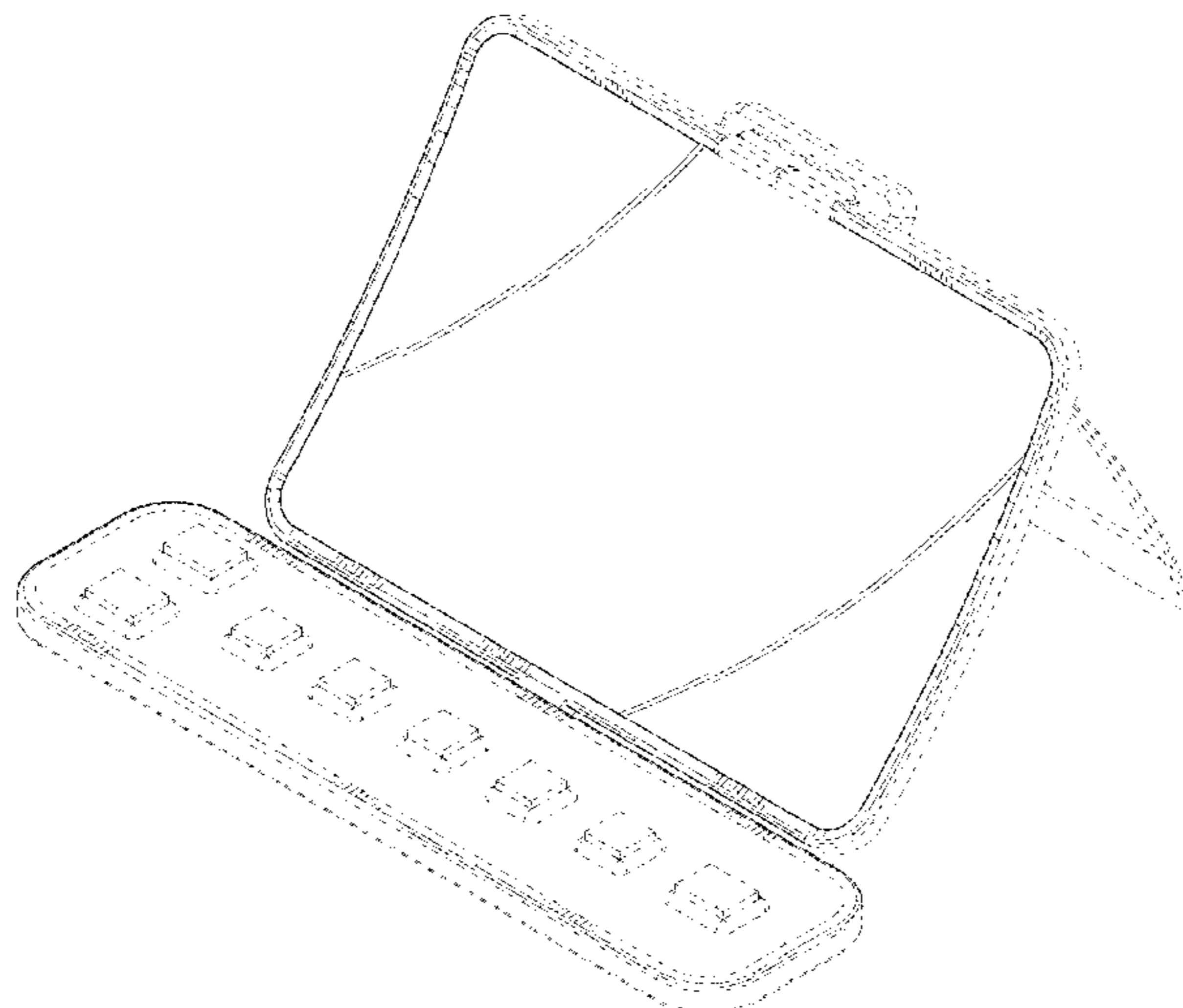
(56) **References Cited**

U.S. PATENT DOCUMENTS

2,661,954 A 12/1953 Koci  
D236,720 S 9/1975 Baker  
D238,379 S 1/1976 Miller

(Continued)

**1 Claim, 7 Drawing Sheets**



(56)

References Cited

U.S. PATENT DOCUMENTS

4,046,419 A	9/1977	Schmitt	5,697,612 A	12/1997	Piotrowski et al.
D264,485 S	5/1982	Kitchen	5,704,835 A	1/1998	Dietz, II
4,372,557 A	2/1983	Del Principe et al.	5,707,059 A	1/1998	Sullivan et al.
4,373,725 A	2/1983	Ritchie	5,720,480 A	2/1998	Lawlor et al.
D275,772 S	10/1984	Akopian et al.	D395,463 S	6/1998	Scott et al.
D280,835 S	10/1985	Berge et al.	5,762,617 A	6/1998	Infanti
D280,836 S	10/1985	Ludzia et al.	5,791,731 A	8/1998	Infanti
4,606,545 A	8/1986	Ritchie	5,806,851 A	9/1998	Gomez et al.
4,614,342 A *	9/1986	Takashima ..... A63F 13/12 463/11	5,820,460 A	10/1998	Fulton
4,705,274 A	11/1987	Lubeck	5,833,236 A	11/1998	Oursler et al.
4,840,343 A	6/1989	Gasser	D405,473 S	2/1999	Tikhonski et al.
4,861,037 A	8/1989	Oursler	D407,759 S	4/1999	Isetani et al.
4,930,117 A	5/1990	Huggins	D408,366 S	4/1999	Popadiuk
4,981,298 A	1/1991	Lawlor et al.	5,890,715 A	4/1999	Gomez et al.
D315,110 S	3/1991	Slater	5,899,454 A	5/1999	Eddy et al.
5,015,189 A	5/1991	Wenzinger	5,924,690 A	7/1999	Kopera et al.
D318,660 S	7/1991	Weber	5,934,672 A	8/1999	Sines et al.
5,074,558 A	12/1991	Bleich et al.	5,938,195 A	8/1999	Anghelo et al.
5,083,738 A	1/1992	Infanti	5,944,309 A	8/1999	Popadiuk et al.
5,091,677 A	2/1992	Bleich et al.	D415,211 S *	10/1999	Yamaguchi ..... D21/327
5,102,192 A	4/1992	Barile, Sr.	D417,145 S	11/1999	McLaughlin
5,110,120 A	5/1992	Smolucha	5,984,782 A	11/1999	Inoue
5,114,112 A	5/1992	Infanti	6,000,697 A	12/1999	Popadiuk et al.
5,120,058 A	6/1992	Trudeau et al.	D419,201 S	1/2000	de Haas
5,123,647 A	6/1992	Lawlor et al.	D419,606 S	1/2000	Toriyama
5,143,055 A	9/1992	Eakin	6,036,188 A	3/2000	Gomez et al.
5,149,094 A	9/1992	Tastad	6,047,962 A	4/2000	Popadiuk
D333,164 S	2/1993	Kraft et al.	6,047,963 A	4/2000	Pierce et al.
5,193,807 A	3/1993	Schilling et al.	D424,122 S	5/2000	Dickenson et al.
5,195,746 A	3/1993	Boyd et al.	6,071,190 A	6/2000	Weiss et al.
D335,150 S	4/1993	Biagi et al.	D428,062 S	7/2000	Hayashi
5,226,653 A	7/1993	Bil et al.	6,089,663 A	7/2000	Hill
5,232,191 A	8/1993	Infanti	D429,769 S *	8/2000	Luciano ..... D21/333
5,290,034 A	3/1994	Hineman	6,102,394 A	8/2000	Wurz et al.
5,297,793 A	3/1994	DeMar et al.	6,113,097 A	9/2000	Krutsch et al.
5,316,303 A	5/1994	Trudeau et al.	6,117,010 A	9/2000	Canterbury et al.
5,322,283 A	6/1994	Ritchie et al.	6,120,021 A	9/2000	Piotrowski et al.
5,326,104 A	7/1994	Pease et al.	6,129,353 A	10/2000	DeMar et al.
5,350,174 A	9/1994	Ritchie et al.	6,129,355 A	10/2000	Hahn et al.
D351,869 S	10/1994	Rothschild et al.	6,135,449 A	10/2000	Cornell et al.
5,351,954 A	10/1994	Oursler et al.	6,135,562 A	10/2000	Infanti
5,357,104 A	10/1994	Bleich	6,149,153 A	11/2000	Sheats, Jr.
5,358,241 A	10/1994	Anghelo et al.	D435,270 S *	12/2000	Healy ..... D20/10
5,358,242 A	10/1994	Trudeau et al.	6,155,565 A	12/2000	Gomez et al.
5,358,243 A	10/1994	Eddy et al.	6,155,925 A	12/2000	Giobbi et al.
D352,738 S	11/1994	Anghelo et al.	6,158,737 A	12/2000	Cornell et al.
5,383,663 A	1/1995	Anghelo et al.	6,159,098 A	12/2000	Slomiany et al.
5,405,144 A	4/1995	Ritchie et al.	6,164,644 A	12/2000	Cornell et al.
5,409,296 A	4/1995	Barile	6,173,955 B1	1/2001	Perrie et al.
D358,616 S *	5/1995	Chung-Po ..... D21/325	6,199,861 B1	3/2001	Hume et al.
5,411,257 A	5/1995	Fulton	D439,931 S	4/2001	Yamaguchi
5,415,402 A	5/1995	Morrison et al.	6,210,279 B1	4/2001	Dickinson
5,415,403 A	5/1995	Ritchie et al.	6,224,482 B1	5/2001	Bennett
5,417,423 A	5/1995	Oursler et al.	6,227,614 B1	5/2001	Rubin
5,417,425 A	5/1995	Blumberg et al.	6,227,970 B1	5/2001	Shimizu et al.
5,437,453 A	8/1995	Hineman	D443,313 S	6/2001	Brettschneider
5,465,963 A	11/1995	Patla, Sr.	D446,252 S	8/2001	Yamaguchi
5,472,197 A	12/1995	Gwiasda et al.	6,283,546 B1	9/2001	Hill
5,494,286 A	2/1996	DeMar et al.	6,290,229 B1	9/2001	Perez
5,507,488 A	4/1996	Eddy et al.	D450,094 S	11/2001	Hedrick et al.
5,511,783 A	4/1996	Popadiuk et al.	6,334,612 B1	1/2002	Wurz et al.
5,516,103 A	5/1996	Lawlor et al.	6,354,660 B1	3/2002	Friedrich
5,522,641 A	6/1996	Infanti	D459,402 S	6/2002	Wurz et al.
5,524,887 A	6/1996	Trudeau et al.	D460,915 S *	7/2002	Lynch ..... D21/329
5,533,726 A	7/1996	Nordman et al.	6,422,670 B1	7/2002	Hedrick et al.
5,542,748 A	8/1996	Barile	6,422,941 B1	7/2002	Thorner et al.
D376,391 S	12/1996	Okumura	6,439,993 B1	8/2002	O'Halloran
5,580,052 A	12/1996	Popadiuk et al.	D463,504 S	9/2002	Stephan
5,632,482 A	5/1997	Anghelo	6,443,837 B1 *	9/2002	Jaffe ..... G07F 17/32 463/16
D380,014 S	6/1997	Yang	D464,377 S	10/2002	Wurz et al.
5,655,965 A	8/1997	Takemoto et al.	D465,813 S	11/2002	Randall
5,664,777 A	9/1997	Nordman et al.	D466,160 S	11/2002	Hirato et al.
5,669,818 A	9/1997	Thorner et al.	D467,977 S	12/2002	Gatto et al.
5,678,886 A	10/1997	Infanti	D468,364 S	1/2003	Beadell et al.
			6,530,842 B1	3/2003	Wells et al.
			6,530,872 B2	3/2003	Frehland et al.
			6,572,187 B2	6/2003	Laufer
			6,589,114 B2	7/2003	Rose

(56)

References Cited

U.S. PATENT DOCUMENTS

6,609,972 B2	8/2003	Seelig et al.	D591,800 S *	5/2009	Hsu	D21/369
6,616,142 B2	9/2003	Adams	D592,708 S *	5/2009	Hsu	D21/369
6,620,047 B1	9/2003	Alcorn et al.	D594,068 S	6/2009	Hsu	
D481,078 S	10/2003	Stephan	D596,090 S *	7/2009	Tufte	D12/168
6,646,695 B1	11/2003	Gauselmann	D596,678 S	7/2009	Myers	
6,652,378 B2	11/2003	Cannon et al.	D599,365 S	9/2009	Brown et al.	
D483,075 S	12/2003	Kang	D599,858 S	9/2009	Lesley et al.	
D484,548 S	12/2003	Franco Munoz et al.	D599,859 S	9/2009	Lesley et al.	
D485,583 S	1/2004	Porto	D599,860 S	9/2009	Lesley et al.	
6,715,756 B2	4/2004	Inoue	D601,637 S	10/2009	Myers et al.	
6,729,618 B1	5/2004	Koenig et al.	D601,638 S	10/2009	Palmisano	
D492,363 S	6/2004	Seelig et al.	D604,368 S	11/2009	Lesley et al.	
D492,364 S	6/2004	Seelig et al.	7,628,693 B2	12/2009	Thomas	
D492,365 S	6/2004	Munoz et al.	7,666,085 B2	2/2010	Vorias et al.	
D492,676 S	7/2004	Monson et al.	7,686,689 B2	3/2010	Thomas	
D493,843 S	8/2004	Jackson, Sr. et al.	D613,802 S	4/2010	Meyers et al.	
D493,846 S	8/2004	Seelig et al.	7,690,976 B2	4/2010	Edidin et al.	
D495,754 S	9/2004	Wurz et al.	D615,598 S	5/2010	McComb et al.	
D495,755 S	9/2004	Wurz et al.	7,713,119 B2	5/2010	Pacey et al.	
D498,267 S	11/2004	Crouch	D622,780 S	8/2010	Lesley et al.	
D500,098 S	12/2004	Doi	D622,781 S	8/2010	Lesley et al.	
6,880,825 B2	4/2005	Seelig et al.	D622,782 S	8/2010	Chudek et al.	
D505,162 S	5/2005	Bristol et al.	D624,604 S	9/2010	Wudtke	
D508,268 S	8/2005	Hanchar et al.	D625,368 S	10/2010	Nelson et al.	
D508,269 S	8/2005	Wichinsky	D626,182 S	10/2010	Cole et al.	
D508,719 S	8/2005	de Haas	D626,183 S	10/2010	Cole et al.	
D508,961 S	8/2005	Gatto et al.	7,811,167 B2	10/2010	Giobbi et al.	
D509,254 S	9/2005	Rasmussen et al.	D631,060 S	1/2011	Flik et al.	
D509,255 S	9/2005	Bristol et al.	D631,100 S	1/2011	Palmisano	
D512,105 S	11/2005	Chitrapongse et al.	D633,950 S	3/2011	Terpstra et al.	
D513,511 S	1/2006	Decombe	D637,238 S	5/2011	O'Keene et al.	
D515,144 S	2/2006	Boyd	D637,652 S	5/2011	Tahara et al.	
6,997,810 B2	2/2006	Cole	7,938,728 B2	5/2011	Vetter et al.	
D520,504 S	5/2006	Martin	7,955,176 B2	6/2011	Tastad et al.	
7,063,615 B2	6/2006	Alcorn et al.	D641,047 S	7/2011	Tahara et al.	
7,108,237 B2	9/2006	Gauselmann	7,976,393 B2	7/2011	Haga et al.	
D531,677 S	11/2006	Mallory et al.	7,985,139 B2	7/2011	Lind et al.	
7,184,277 B2	2/2007	Beirne	8,002,424 B2	8/2011	Hwang et al.	
D537,885 S	3/2007	Gadda et al.	8,002,626 B2	8/2011	Englman	
D539,854 S	4/2007	Luciano et al.	D646,336 S	10/2011	Kelly et al.	
D540,398 S	4/2007	Gadda et al.	D646,337 S	10/2011	Kelly et al.	
D546,893 S	7/2007	Yamashita	D646,691 S	10/2011	Thai et al.	
7,247,098 B1	7/2007	Bradford et al.	D649,605 S	11/2011	Terpstra et al.	
D548,801 S	8/2007	Groswirt	8,070,610 B2	12/2011	Vetter et al.	
D548,802 S *	8/2007	Damjan	D651,608 S	1/2012	Allen et al.	
D549,785 S	8/2007	Luciano, Jr. et al.	8,113,933 B2	2/2012	Thomas	
7,267,612 B2	9/2007	Alcorn et al.	8,137,192 B2	3/2012	Thomas	
D554,710 S	11/2007	Malone et al.	8,152,623 B2	4/2012	Fiden	
D556,765 S	12/2007	Evans et al.	8,162,740 B2	4/2012	Aoki	
D557,748 S	12/2007	Jumper	8,216,061 B2	7/2012	Pacey	
D558,276 S *	12/2007	Damjan	8,226,459 B2	7/2012	Barrett et al.	
7,311,597 B2	12/2007	Thomas	8,267,764 B1	9/2012	Aoki et al.	
D559,328 S	1/2008	Rasmussen et al.	8,272,952 B2	9/2012	Manning et al.	
D559,917 S	1/2008	Cole	D669,076 S	10/2012	Haller	
D560,724 S	1/2008	Johnson	8,292,451 B2	10/2012	Hwang et al.	
D560,725 S	1/2008	Johnson	8,303,420 B2	11/2012	Chudek et al.	
D563,326 S	3/2008	Patel et al.	8,305,743 B2	11/2012	Wu et al.	
D563,481 S	3/2008	Looks et al.	8,323,114 B2	12/2012	Burak et al.	
D564,600 S	3/2008	Greenberg et al.	D673,620 S	1/2013	Johnson et al.	
D564,601 S	3/2008	Strahinic et al.	D673,622 S	1/2013	Wudtke	
D566,196 S *	4/2008	Morrow	8,353,755 B2	1/2013	Vann et al.	
D566,197 S	4/2008	Greenberg et al.	8,371,920 B2	2/2013	Gomez et al.	
D569,863 S	5/2008	Feldstein et al.	8,371,927 B2	2/2013	Englman	
D569,919 S *	5/2008	Zielinski	8,371,928 B2	2/2013	Englman et al.	
D572,314 S	7/2008	Vallejo et al.	8,376,832 B2	2/2013	O'Connor et al.	
D578,168 S	10/2008	Looks et al.	8,376,842 B2	2/2013	Rasmussen et al.	
D579,500 S *	10/2008	Luciano, Jr.	D678,270 S *	3/2013	Song	D14/341
D581,983 S	12/2008	Bergstrom	D678,955 S	3/2013	Lesley et al.	
RE40,625 E	1/2009	Wurz et al.	D678,956 S	3/2013	Lesley et al.	
7,479,066 B2	1/2009	Emori	D678,957 S	3/2013	Cesaroni et al.	
D587,272 S	2/2009	Morrow et al.	D678,958 S	3/2013	Cesaroni et al.	
D587,319 S	2/2009	Moises Deiab	D681,130 S	4/2013	Lesley et al.	
RE40,671 E	3/2009	Wurz et al.	8,430,756 B2	4/2013	McComb et al.	
7,503,849 B2	3/2009	Hornik et al.	D682,948 S	5/2013	Cesaroni et al.	
D590,025 S	4/2009	Fiore	D685,033 S	6/2013	Wudtke	
			D691,665 S	10/2013	Chudek	
			D691,666 S	10/2013	Lesley et al.	
			8,556,706 B2	10/2013	Barney et al.	
			D693,343 S	11/2013	Haller	

(56)

References Cited

U.S. PATENT DOCUMENTS

D697,558 S 1/2014 Myers et al.  
 D704,273 S 5/2014 Chudek  
 D704,275 S 5/2014 Lesley et al.  
 8,721,419 B2 5/2014 Aoki et al.  
 D706,359 S 6/2014 Wudtke  
 D706,741 S 6/2014 Myers  
 D706,864 S \* 6/2014 Branck ..... D18/4.6  
 D707,288 S \* 6/2014 Branck ..... D18/4.6  
 D707,646 S \* 6/2014 Kim ..... D14/138 G  
 D707,685 S \* 6/2014 Johnson ..... D14/447  
 8,808,077 B1 \* 8/2014 Chun ..... G07F 17/3293  
 463/11  
 D712,975 S 9/2014 Lesley et al.  
 D713,447 S \* 9/2014 Balar ..... D18/4.6  
 D714,269 S \* 9/2014 Lee ..... D14/248  
 D714,270 S \* 9/2014 Lee ..... D14/248  
 D714,271 S \* 9/2014 Lee ..... D14/248  
 D714,392 S \* 9/2014 Arabian ..... D21/369  
 D714,875 S 10/2014 Wudtke et al.  
 D715,279 S \* 10/2014 Lee ..... D14/248  
 D715,364 S 10/2014 Wudtke et al.  
 D719,615 S \* 12/2014 Inoue ..... D21/370  
 D719,616 S \* 12/2014 Inoue ..... D21/370  
 8,982,545 B2 3/2015 Kim et al.  
 8,986,092 B2 3/2015 Thomas et al.  
 D729,321 S \* 5/2015 Arabian ..... D21/369  
 D730,993 S 6/2015 Castro et al.  
 D733,088 S \* 6/2015 Garneau ..... D14/172  
 9,058,717 B2 6/2015 Aoki et al.  
 D736,751 S \* 8/2015 Lee ..... D14/248  
 D736,752 S \* 8/2015 Lee ..... D14/248  
 D740,888 S 10/2015 DePalma et al.  
 D742,974 S 11/2015 Lesley et al.  
 D742,975 S 11/2015 Myers et al.  
 9,183,697 B2 \* 11/2015 Kido ..... G07F 17/3211  
 D746,292 S \* 12/2015 Heckler ..... D14/447  
 D746,380 S \* 12/2015 van Linden ..... D21/369  
 D747,763 S \* 1/2016 Haller ..... D18/4.5  
 9,269,233 B2 2/2016 Aoki et al.  
 D760,846 S 7/2016 Castro et al.  
 D762,258 S \* 7/2016 Jenkins ..... D18/4.5  
 D763,247 S \* 8/2016 Yepez ..... D14/307  
 RE46,169 E 10/2016 Kelly et al.  
 D770,450 S \* 11/2016 Bae ..... D14/341  
 D772,335 S \* 11/2016 Mantrawadi ..... D18/4.6  
 9,542,814 B2 1/2017 Daniels  
 9,547,958 B2 1/2017 Cole et al.  
 D782,466 S \* 3/2017 Yepez ..... D14/307  
 D801,945 S \* 11/2017 Cho ..... D14/138 G  
 D806,159 S \* 12/2017 Haller ..... D18/4.5  
 D808,354 S 1/2018 Castro et al.  
 D809,067 S \* 1/2018 Steelman ..... D21/325  
 D811,384 S \* 2/2018 Diasabeygunawardena .....  
 D14/336  
 D812,145 S \* 3/2018 Huang ..... D21/369  
 D812,146 S 3/2018 Castro et al.  
 D812,147 S 3/2018 Castro et al.  
 D812,148 S 3/2018 Castro et al.  
 D812,149 S 3/2018 Castro et al.  
 D818,524 S \* 5/2018 Dong ..... D18/4.4  
 D819,747 S 6/2018 Castro et al.  
 D825,668 S \* 8/2018 Hedrick ..... D21/397  
 D833,535 S \* 11/2018 Lim ..... D21/370  
 D835,184 S \* 12/2018 Sorio ..... D18/4.5  
 D836,164 S \* 12/2018 Castro ..... D21/369  
 10,207,187 B2 \* 2/2019 Zoloto ..... A63F 13/54  
 D842,929 S \* 3/2019 Hung ..... D21/325  
 D842,930 S \* 3/2019 Johnson ..... D21/369  
 D843,458 S \* 3/2019 Castro ..... D21/369  
 D843,466 S \* 3/2019 Castro ..... D21/369  
 D843,467 S \* 3/2019 Johnson ..... D21/369  
 D843,471 S \* 3/2019 Castro ..... D21/369  
 D843,472 S \* 3/2019 Castro ..... D21/369  
 D843,476 S \* 3/2019 Lesley ..... D21/369  
 D843,477 S \* 3/2019 Lesley ..... D21/369

D843,478 S \* 3/2019 Lesley ..... D21/369  
 D843,479 S \* 3/2019 Castro ..... D21/369  
 D843,480 S \* 3/2019 Castro ..... D21/369  
 D844,046 S \* 3/2019 Yeruva ..... D18/4.5  
 D844,062 S \* 3/2019 Lesley ..... D21/369  
 D846,649 S \* 4/2019 Schoonmaker ..... D21/369  
 D849,832 S \* 5/2019 Baker ..... D18/4.5  
 D850,525 S \* 6/2019 Eun ..... D18/4.6  
 D850,536 S \* 6/2019 Stair ..... D21/370  
 10,325,446 B2 \* 6/2019 Castro ..... G07F 17/322  
 D853,346 S \* 7/2019 Jang ..... D14/140.8  
 2002/0041069 A1 4/2002 Steelman  
 2003/0122973 A1 7/2003 Huang  
 2004/0018877 A1 1/2004 Tastad et al.  
 2004/0029631 A1 2/2004 Duhamel  
 2004/0053662 A1 3/2004 Pacey  
 2005/0014547 A1 1/2005 Gomez et al.  
 2006/0009284 A1 1/2006 Schwartz et al.  
 2006/0028159 A1 2/2006 Otomo et al.  
 2006/0034042 A1 2/2006 Hisano et al.  
 2006/0079316 A1 4/2006 Flemming et al.  
 2006/0131810 A1 6/2006 Nicely  
 2006/0183553 A1 8/2006 Kiriya et al.  
 2006/0199638 A1 9/2006 Walker et al.  
 2006/0287111 A1 12/2006 Mitchell et al.  
 2008/0039213 A1 2/2008 Cornell et al.  
 2008/0051202 A1 2/2008 Lube  
 2009/0174996 A1 7/2009 Park  
 2009/0221375 A1 9/2009 Luciano, Jr. et al.  
 2010/0053231 A1 3/2010 Park  
 2012/0122569 A1 5/2012 Kowolik et al.  
 2012/0168058 A1 7/2012 Kim et al.  
 2013/0180653 A1 7/2013 Kim et al.  
 2013/0278875 A1 10/2013 Kim et al.  
 2014/0055696 A1 2/2014 Lee et al.  
 2014/0092356 A1 4/2014 Ahn et al.  
 2014/0176856 A1 6/2014 Lee et al.  
 2014/0226111 A1 8/2014 Kim  
 2014/0226112 A1 8/2014 Kim  
 2014/0354938 A1 12/2014 Kim  
 2014/0368782 A1 12/2014 Kim et al.  
 2014/0375963 A1 12/2014 Bishop  
 2015/0000823 A1 1/2015 Kim et al.  
 2015/0036073 A1 2/2015 Im et al.  
 2015/0116621 A1 4/2015 Park et al.  
 2015/0116625 A1 4/2015 Hwang et al.  
 2015/0301390 A1 10/2015 Kim  
 2017/0039803 A1 \* 2/2017 Lesley ..... G07F 17/3216  
 2018/0078854 A1 \* 3/2018 Achmueller ..... A63F 13/20  
 2018/0342129 A1 \* 11/2018 Wudtke ..... G07F 17/3211  
 2019/0080547 A1 \* 3/2019 Urban ..... G07F 17/322

FOREIGN PATENT DOCUMENTS

AU 201811906 4/2018  
 AU 201811186 5/2018  
 EP 649 671 A1 4/1995  
 JP 03210172 B2 9/2001  
 KR 10-1113734 B1 2/2012  
 KR 10-2012-0051630 5/2012  
 KR 10-1268471 B1 6/2013  
 KR 10-1278904 B1 6/2013  
 KR 10-1336677 B1 12/2013  
 KR 10-1381609 B1 4/2014  
 KR 10-1381610 B1 4/2014  
 KR 10-2015-0013987 2/2015  
 KR 10-1539221 B1 7/2015  
 TW 200949775 A 12/2009

OTHER PUBLICATIONS

Brochure for "Virtual Pinball," Tab-Austria, 2007 (8 pages).  
 Cabinet Brochure for Hydako Co., date estimated as early as 2009 (1 page).  
 Catalog for "Your Partner Innovation," Bally Technologies, date estimated as early as 2011 (4 pages).  
 Catalog for Atronic®-Spielo®, date estimated as early as 2008 (2 pages).

(56)

## References Cited

## OTHER PUBLICATIONS

Cohran; “Why Samsung’s curved-screen TV might be a ‘game changer’”; CBS News; Aug. 14, 2013; retrieved from <<http://www.cbsnews.com/news/why-samsungs-curved-screen-tv-might-be-a-game-changer/>> (3 pages).

DailyTech; “AUO Shows Off Curved Display and Touch Screen”; May 23, 2008; retrieved from <<http://www.dailytech.com/AUO+Shows+Off+Curved+Display+and+Touch+Screen+Tech/article11845.htm>> on Mar. 3, 2017 (2 pages).

Daniel; “Curved Monitors—Overview”; Curved Monitor Test; Aug. 28, 2015; retrieved from <<http://www.curved-monitor-test.de/>> (5 pages).

Denison; “Why can’t you buy a flat OLED yet? The curve isn’t just about viewing experience”; Digital Trends; Aug. 18, 2013; retrieved from <<http://www.digitaltrends.com/home-theater-why-did-the-us-get-stuck-with-curved-oled/#!zXypT>> (8 pages).

DigiTimes Inc.; “FPD China 2009: AUO 8.9-inch convex display panel”; Mar. 12, 2009; retrieved from <<http://www.digitimes.com/photogallery/showphoto.asp?ID=3376>> on Mar. 3, 2017 (3 pages).

Fall & Winter Catalog for Aristocrat, date estimated as early as 2010-2011 (7 pages).

Gizmodo.com; “AUO Curved Displays, Ultra Thin LCDs On the Way”; May 20, 2008; retrieved from <<http://gizmodo.com/392248/auo-curved-displays-ultra-thin-lcds-on-the-way>> on Mar. 3, 2017 (2 pages).

Immersaview; “Why choose a Curved Screen for your Multi-Projector Setup”; Jan. 28, 2016; retrieved from <<https://www.immersaview.com/resources/why-curved/>> (7 pages).

Kelly; “TV trends at CES: 4K, curves and smart TVs”; CNN; Jan. 8, 2014; retrieved from <<http://www.cnn.com/2014/01/07/tech/gaming-gadgets/ces-television-trends/>> (5 pages).

Ljt216; “Flat Screen vs Curved CRTs for Retro Games”; Reddit; Jul. 29, 2015; retrieved from <[https://www.reddit.com/r/gamecollecting/comments/3f25r0/flat\\_screen\\_vs\\_curved\\_crts\\_for\\_retro\\_games/](https://www.reddit.com/r/gamecollecting/comments/3f25r0/flat_screen_vs_curved_crts_for_retro_games/)> (4 pages).

Manjoo; “TV Makers Are Out of Ideas”; Wall Street Journal; Jan. 8, 2014; retrieved from <<https://www.wsj.com/news/articles/SB100014240527023033938045790308801012230792>> (4 pages).

Matthias; “Curved TV—Overview”; Curved TV Test; Apr. 20, 2016; retrieved from <<http://technikblog.net/fernseher-test/curved-tv/>> (16 pages, in German).

Morrison; “Curved OLED HDTV screens are a bad idea (for now)”; CNET; Jun. 18, 2013; reetrieved from <<https://www.cnet.com/news/curved-oled-hdtv-screens-are-a-bad-idea-for-now/>> (9 pages).

NewLaunches.com; “LG Phillips LCD develops world’s highest resolution 14.3-inch flexible color E-paper display!”; Jan. 3, 2008;

retrieved from <[http://newlaunches.com/archives/lgphillips\\_lcd\\_develops\\_worlds\\_highest\\_resolution\\_143inch\\_flexible\\_color\\_epaper\\_display.php](http://newlaunches.com/archives/lgphillips_lcd_develops_worlds_highest_resolution_143inch_flexible_color_epaper_display.php)> (4 pages).

OLED-Info; “LG Phillips LCD Develops 14.3-Inch Color E-Paper Display”; Jan. 4, 2008; retrieved from <[http://www.oled-info.com/lg/lg\\_phillips\\_lcd\\_develops\\_14\\_3\\_inch\\_color\\_e\\_paper\\_display](http://www.oled-info.com/lg/lg_phillips_lcd_develops_14_3_inch_color_e_paper_display)>; (2 pages).

PC World; “AU Optronics Shows off Curved LCD Screen”; May 20, 2008; retrieved from <<http://www.pcworld.com/article/146083/article.amp.html>> on Mar. 3, 2017 (3 pages).

Photonics industry and Technology Development Association (PIDA); “E-Paper Shows Potential at Creating a Paperless Haven”; OptoLink Magazine, 3 Quarter 2008; pp. 8-11 (4 pages).

Product Catalog for “Alpha Elite™,” Bally Technologies, date estimated as early as 2008-2009 (2 pages).

Product Catalog for Ainsworth Game Technology Ltd, date estimated as early as 2007 (6 pages).

Product Catalog for Bally Technologies, date estimated as early as 2010 (2 pages).

Product Sheet for “3RV™,” WMS Gaming In., 2002 or earlier (2 pages).

Product Sheet for “American Eagle,” Eagle Co. Ltd., 1997 (2 pages).

Product Sheet for “American Eagle,” Eagle Co., Ltd., 2000 (2 pages).

Product Sheet for “EVO™ Hybrid,” Bally Gaming Systems, 2002 (4 pages).

Product Sheet for “Miss America,” AC Coin & Slot, 2002 or earlier (2 pages).

Product Sheet for “Monopoly Chairman of the Board™,” WMS Gaming Inc., 1999 (2 pages).

Product Sheet for “ProSLOT® 6000,” Bally Gaming Systems, 2002 (4 pages).

Product Sheet for “Survivor,” WMS Gaming Inc., 2001 (4 pages).

Product Sheet for “Ultrapin™,” Global VR, 2007 (1 pages).

Snider; “Sony tosses latest pitch for curved TV displays”; USA Today; Oct. 15, 2013; retrieved from <<http://www.usatoday.com/story/tech/personal/2013/10/15/new-curved-sony-led-hdtv/2982051/>> (2 pages).

Wilcox; “LG, Samsung, and Sony throw TV buyers a curve”; Consumer Reports; Sep. 10, 2013; retrieved from <<http://www.consumerreports.org/cro/news/2013/09/curved-tv-screens/index.htm#>> (1 page).

Wood, M., Major, C., Carr, V. eds.; “Curved Screens: Worth It?” video found at <<http://www.nytimes.com/video/technology/personaltech/10000002788325/curved-screens-worth-it.html>>; New York Times; Mar. 26, 2014.

\* cited by examiner

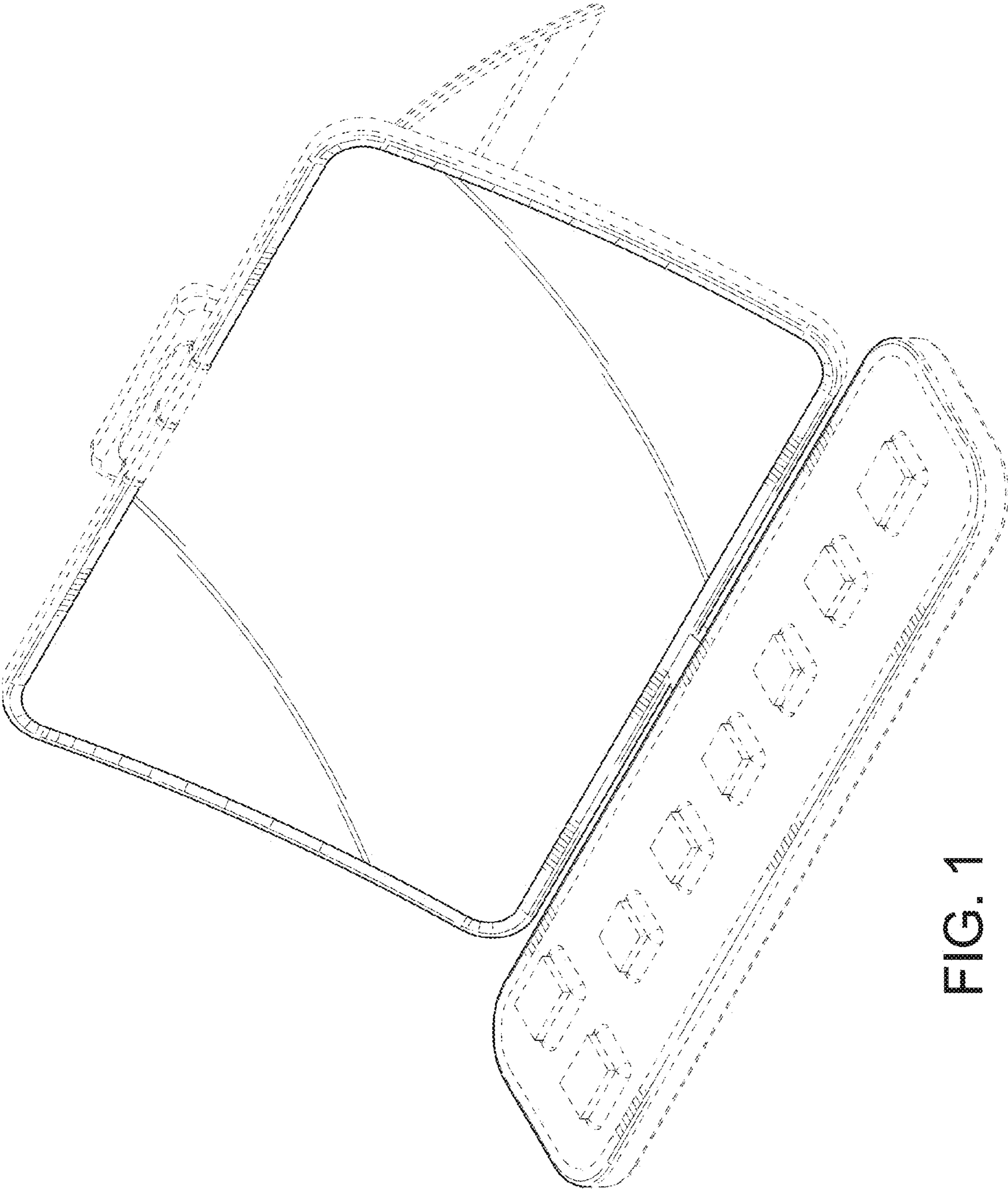


FIG. 1

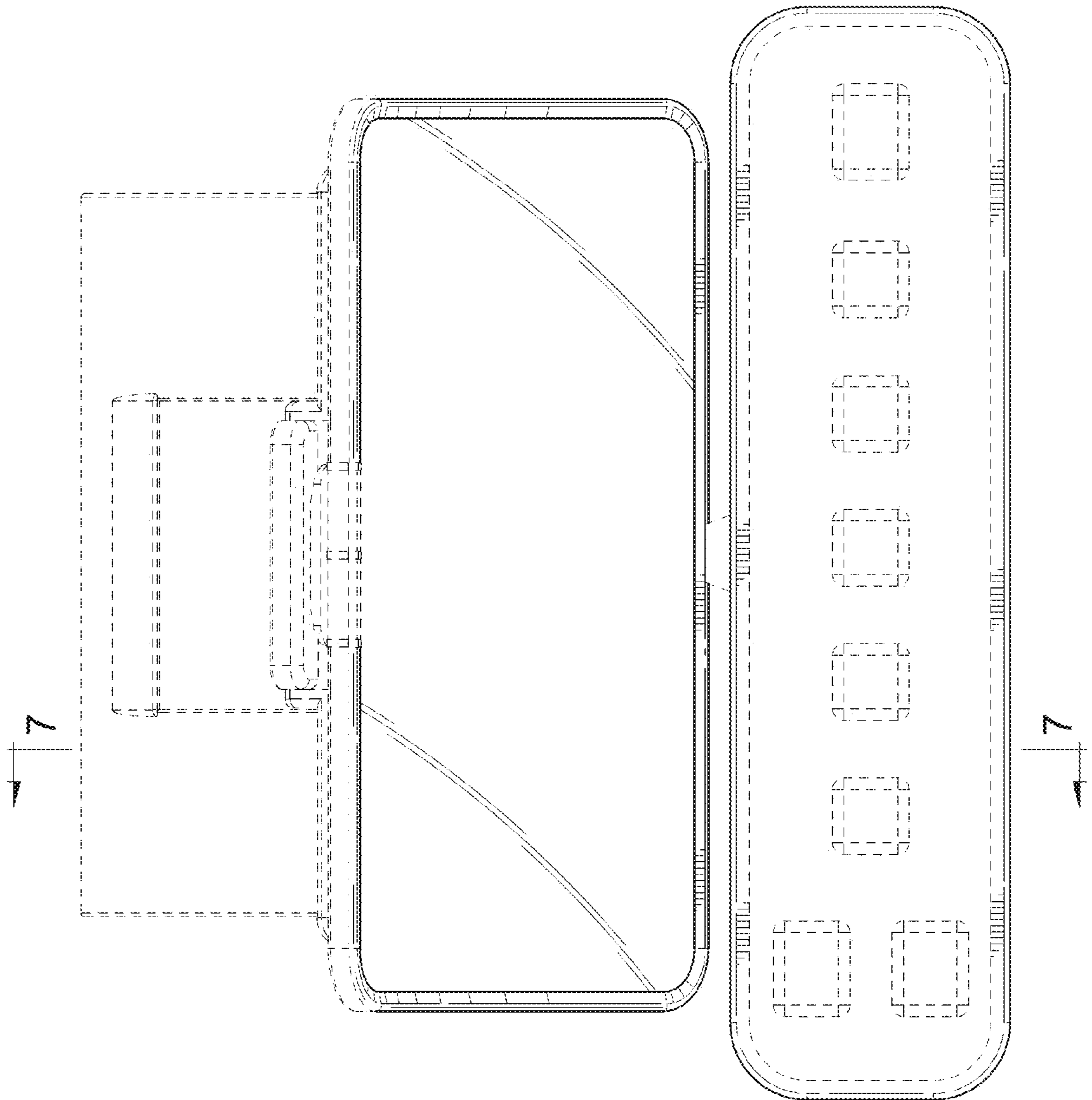


FIG. 2

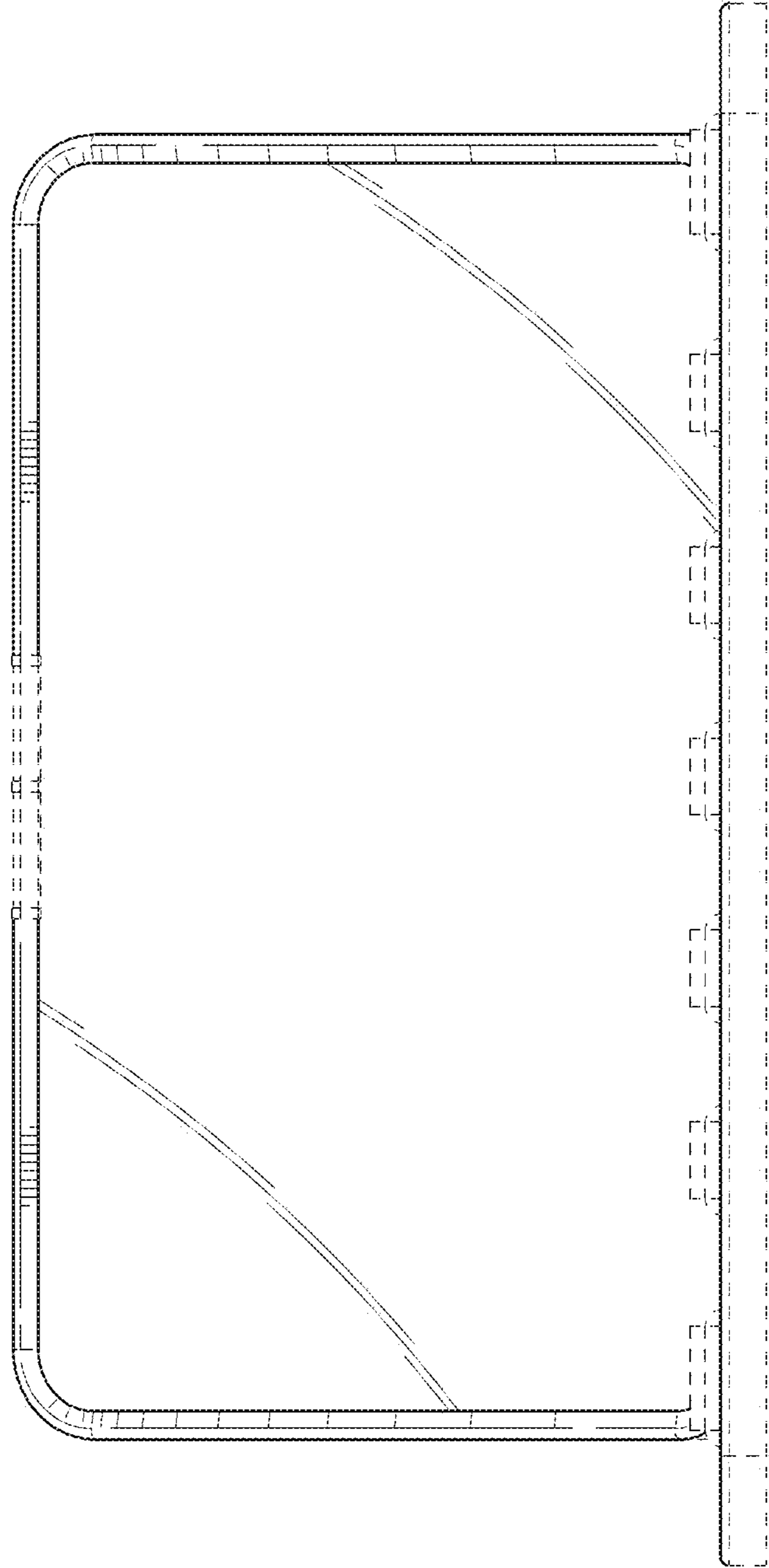


FIG. 3



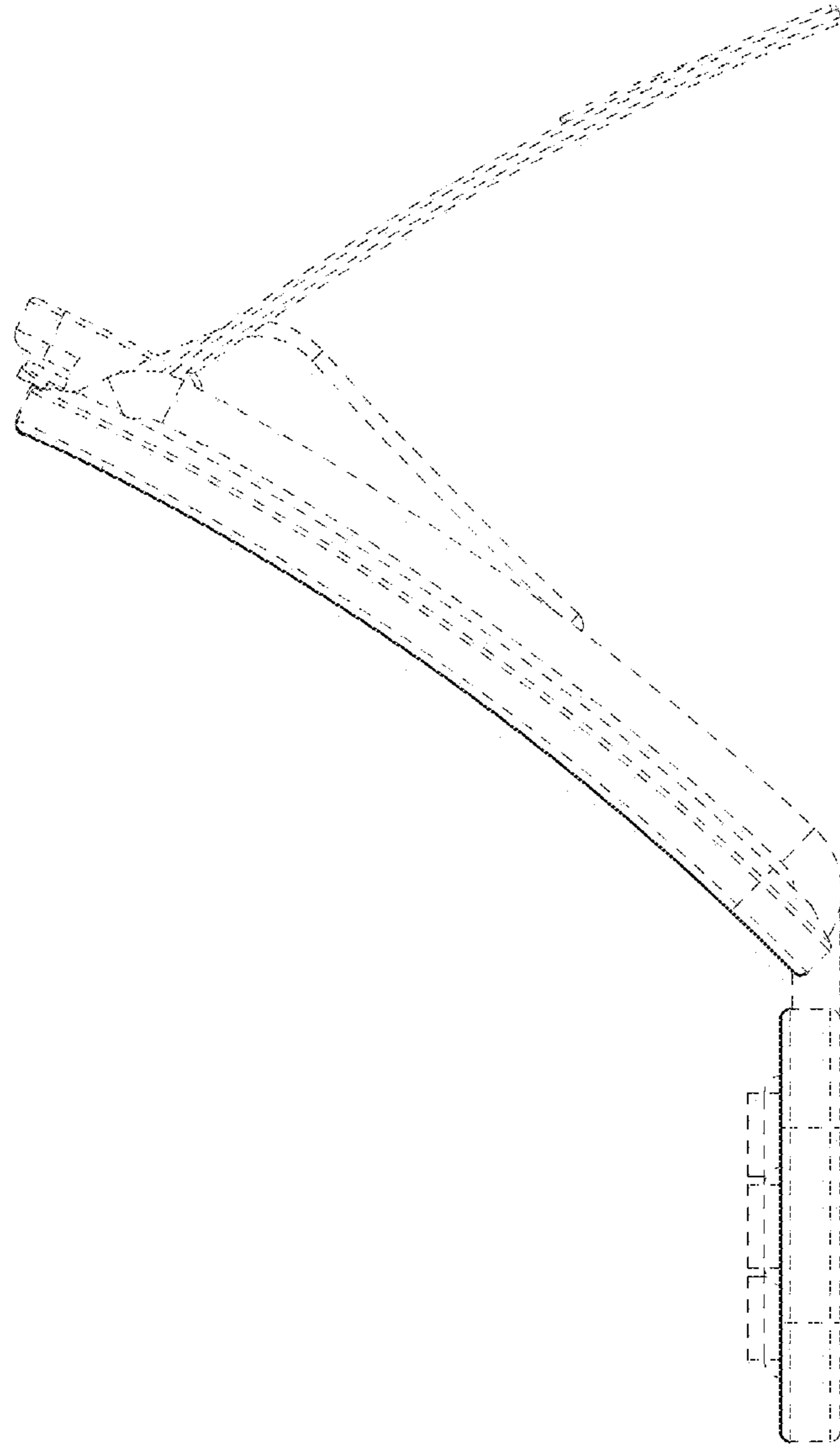


FIG. 4

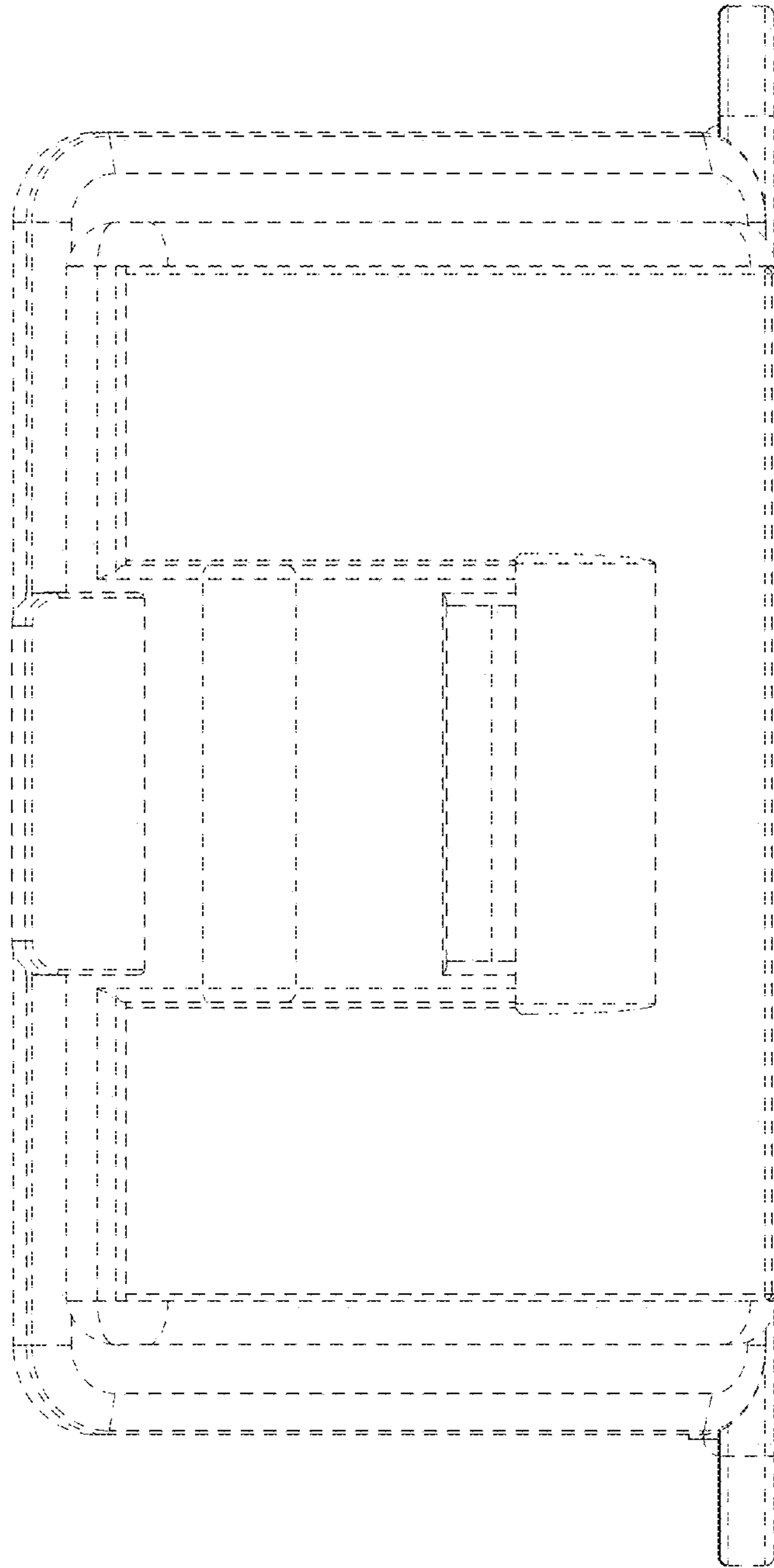


FIG. 5

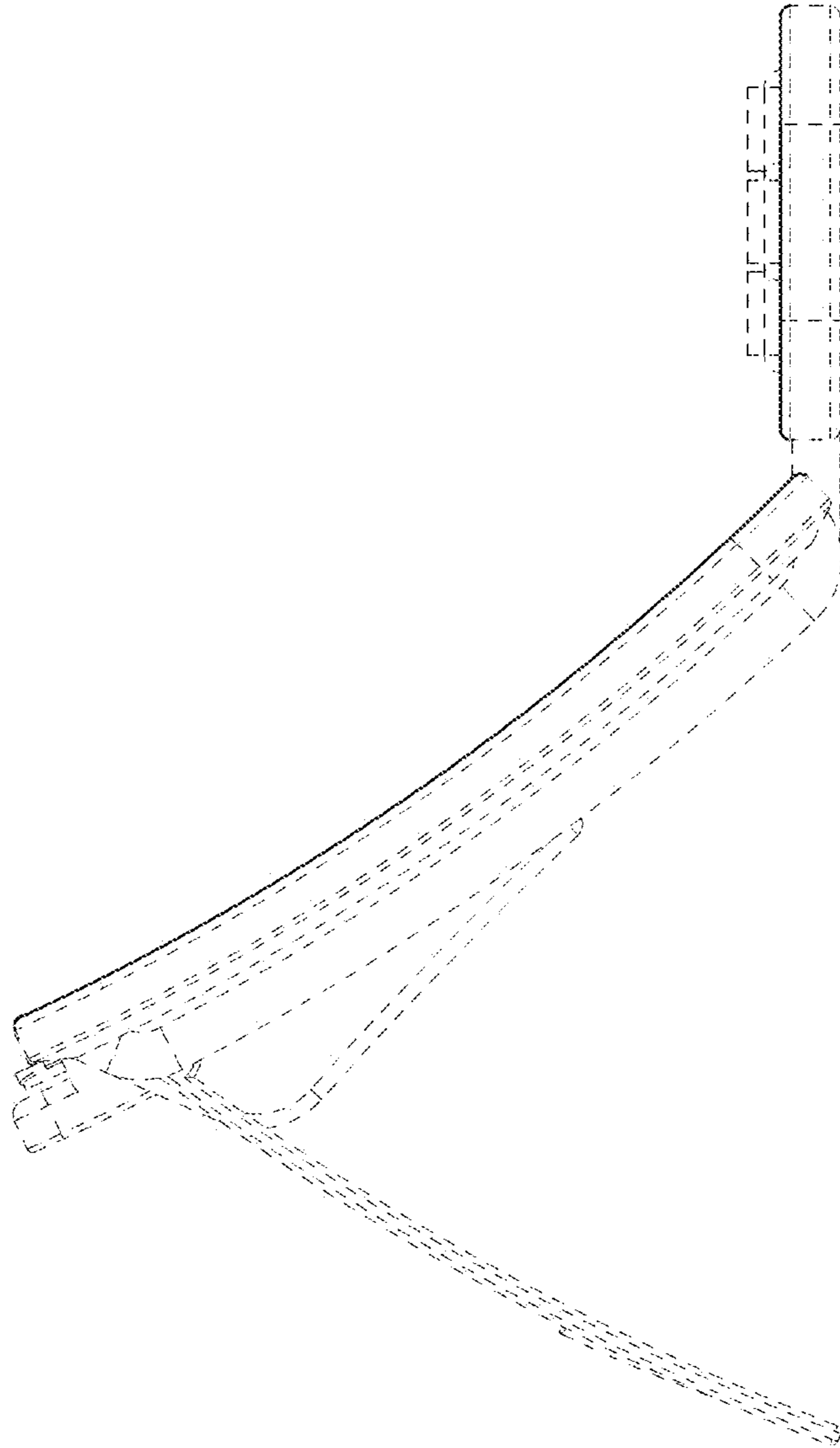


FIG. 6

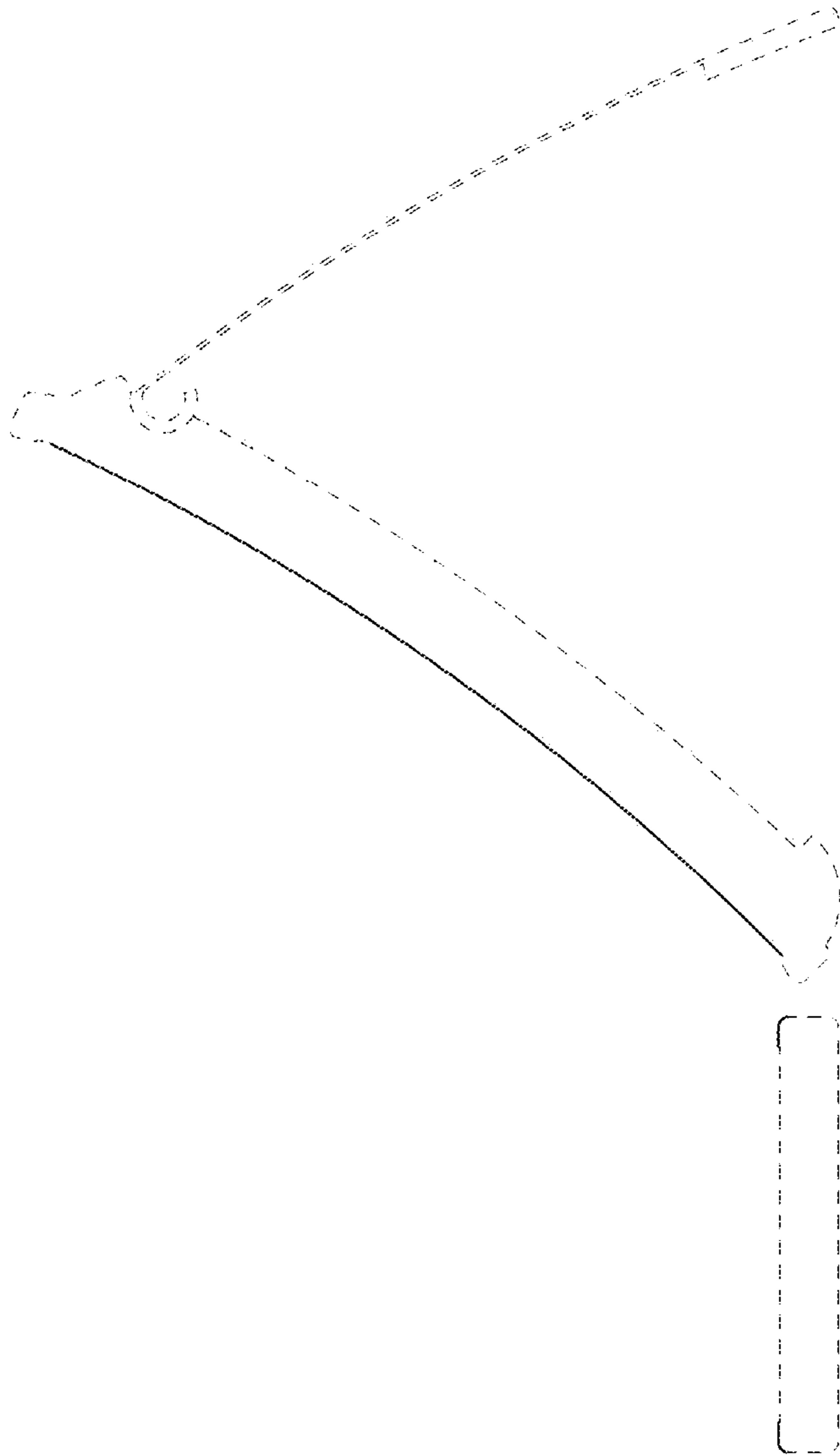


FIG. 7