



US00D881992S

(12) **United States Design Patent** (10) **Patent No.:** **US D881,992 S**
Liu (45) **Date of Patent:** **** Apr. 21, 2020**

(54) **PROTECTIVE CASE FOR GAME DEVICE**

(71) Applicant: **Shenzhen Tomtoc Technology Co., Ltd.,** Guangdong (CN)

(72) Inventor: **Yubo Liu,** Changsha (CN)

(**) Term: **15 Years**

(21) Appl. No.: **29/635,396**

(22) Filed: **Jan. 30, 2018**

(51) **LOC (12) Cl.** **21-01**

(52) **U.S. Cl.**
USPC **D21/333; D3/212; D3/218**

(58) **Field of Classification Search**
USPC D21/324, 328, 329, 330, 333, 341, 342, D21/349, 386; D3/201, 212, 217, 218, D3/226, 269, 273, 301; D14/218, 250, D14/299, 322, 341, 345, 346, 353, 354, D14/374, 375, 376, 401, 421, 432, 440, D14/443, 452
CPC H04B 1/3888; A45C 5/04; A45C 13/002; A45C 13/00; A45C 13/001

See application file for complete search history.

(56) **References Cited**

U.S. PATENT DOCUMENTS

- D593,746 S * 6/2009 Richardson D3/201
- D624,304 S * 9/2010 Danze D3/201
- D650,447 S * 12/2011 Ehara D21/330
- D664,601 S * 7/2012 Sogabe D14/356
- D681,127 S * 4/2013 Ashida D21/328
- 8,858,328 B2 * 10/2014 Kitahara A63F 13/06
463/33
- D720,342 S * 12/2014 Starrett D14/252
- D723,804 S * 3/2015 Coleman D3/301
- D748,915 S * 2/2016 Reyes D3/301
- D808,168 S * 1/2018 Turczynskij D3/301
- D811,086 S * 2/2018 Grund D3/301
- D819,696 S * 6/2018 Ehara D14/496
- 9,989,999 B2 * 6/2018 Yturralde G06F 1/1628
- D822,767 S * 7/2018 Tien D21/333
- D822,996 S * 7/2018 Ehara D3/301

- D830,465 S * 10/2018 Suetake D21/330
- D841,974 S * 3/2019 Peng D3/205
- 10,258,879 B2 * 4/2019 Iwao A63F 13/23
- D850,415 S * 6/2019 Kashimoto D14/218
- D851,405 S * 6/2019 Smith D3/318
- 2013/0175186 A1 * 7/2013 Simmer G06F 1/1626
206/37
- 2018/0375980 A1 * 12/2018 Renfrow F16B 2/10

OTHER PUBLICATIONS

“Carrying case for Nintendo”, posted Nov. 7, 2017 [online], [retrieved Oct. 20, 2019]. Retrieved from internet, https://www.amazon.com/Carrying-Nintendo-Switch-Protective-Cartridges-Protection/product-reviews/B07H4T4K71/ref=cm_cr_getr_d_paging_btm_next_49?ie=UTF8&reviewerType=all_reviews&sortBy=recent&pageNumber=49.*

* cited by examiner

Primary Examiner — Sandra S Snapp
Assistant Examiner — Mehri F Bajoul
(74) *Attorney, Agent, or Firm* — Prakash Nama; Global IP Services, PLLC

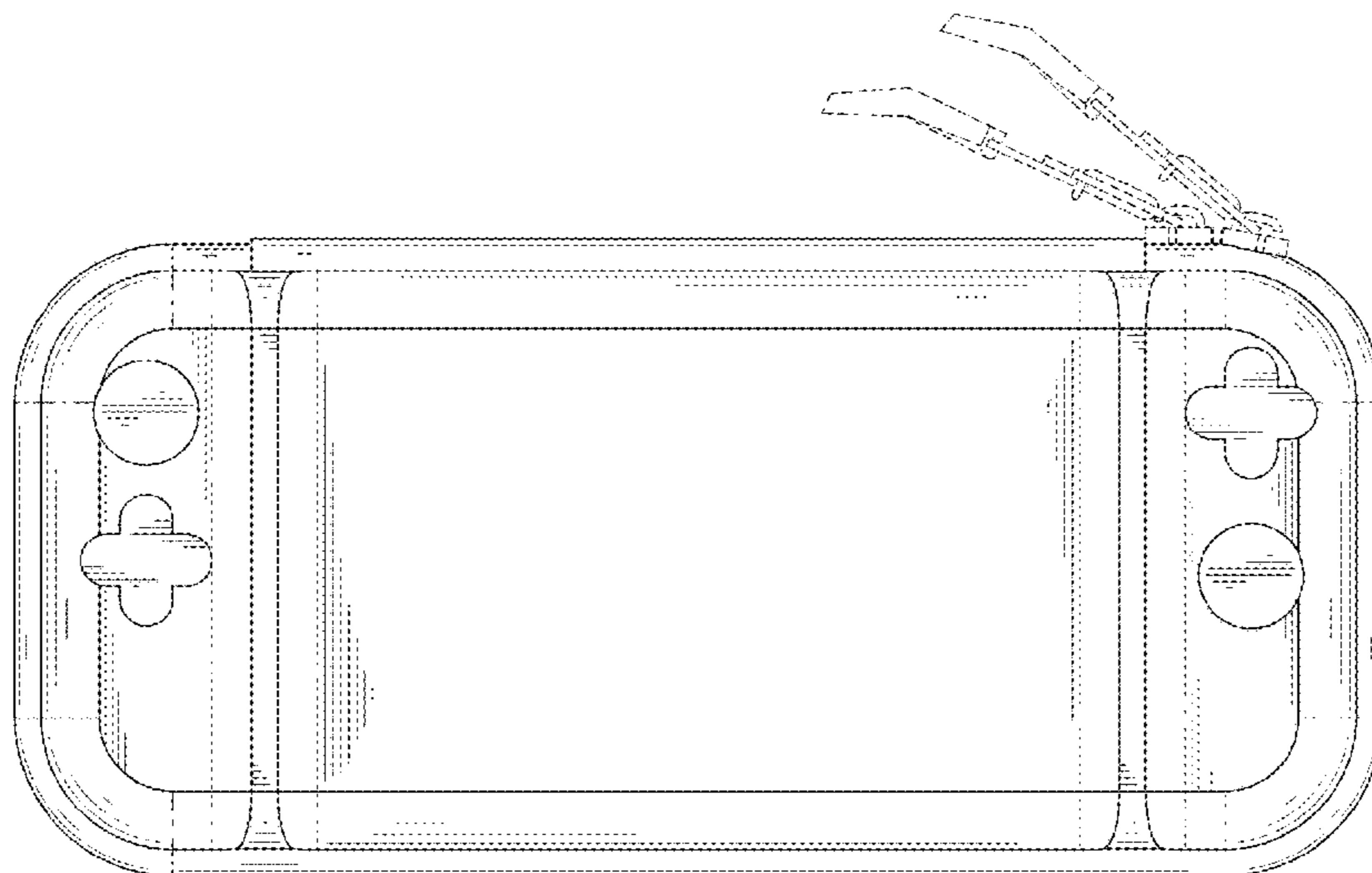
(57) **CLAIM**

The ornamental design for a protective case for game device, as shown and described.

DESCRIPTION

FIG. 1 is a front elevational view of a protective case for game device showing my new design; FIG. 2 is a rear elevational view thereof; FIG. 3 is a left side view thereof; FIG. 4 is a right side view thereof; FIG. 5 is a top plan view thereof; FIG. 6 is a bottom plan view thereof; FIG. 7 is a front perspective view thereof; and, FIG. 8 is a rear perspective view thereof. The broken lines in the drawings depict portions of the protective case for game device and form no part of the claimed design.

1 Claim, 3 Drawing Sheets



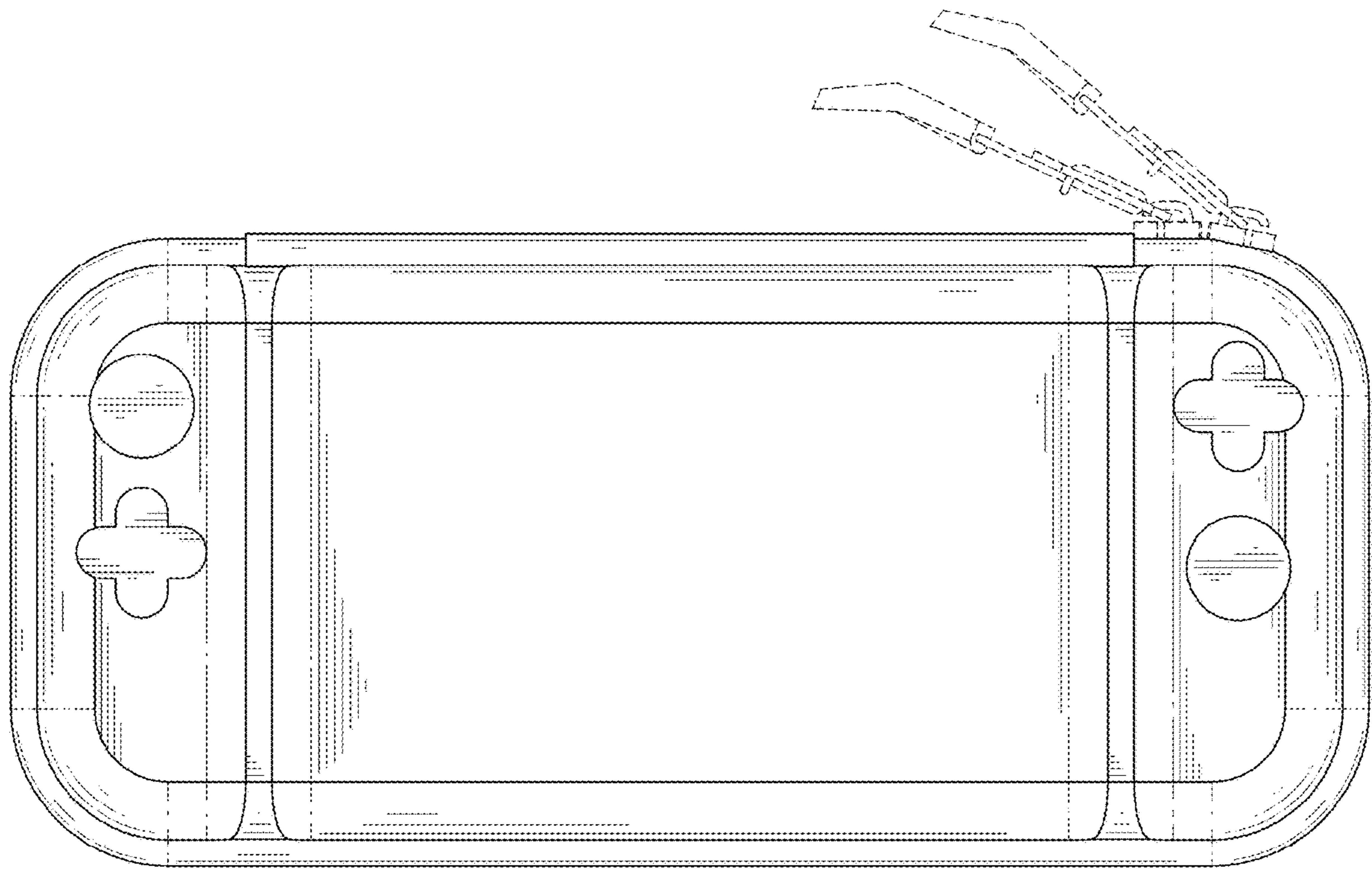


FIG. 1

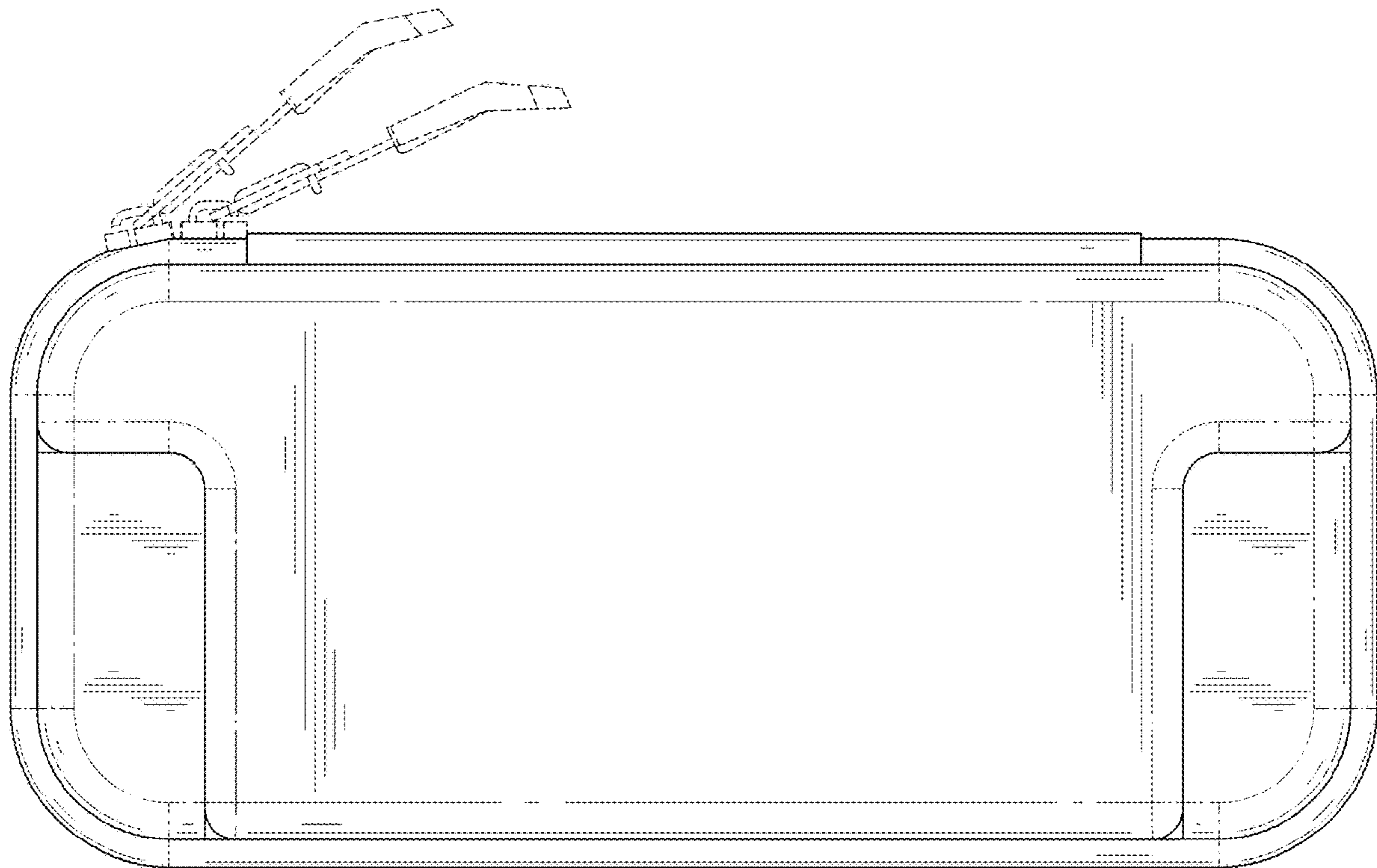


FIG. 2

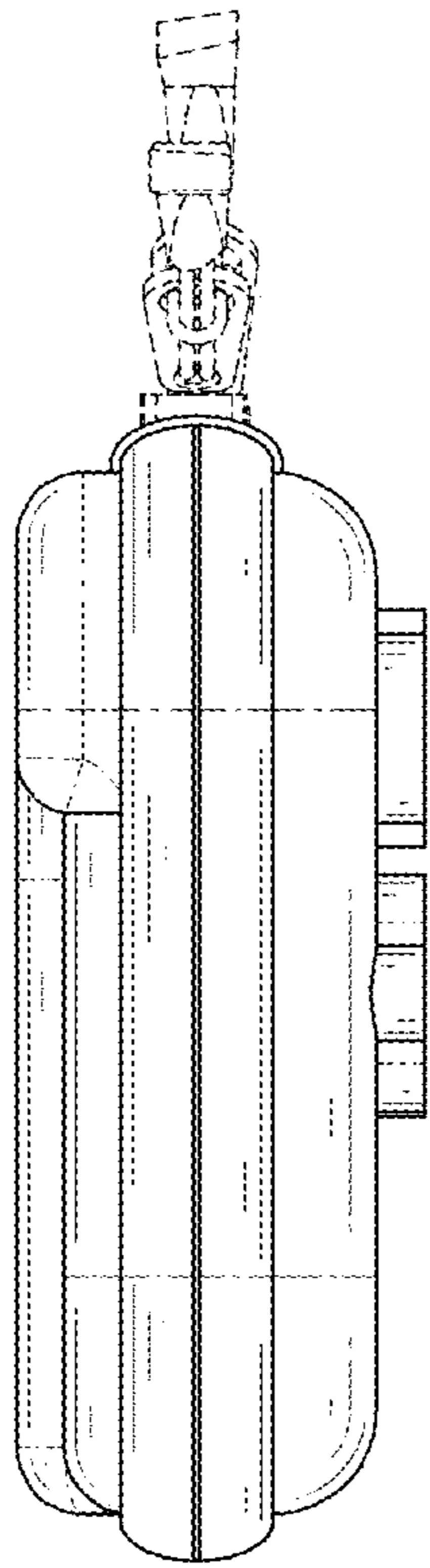


FIG. 3

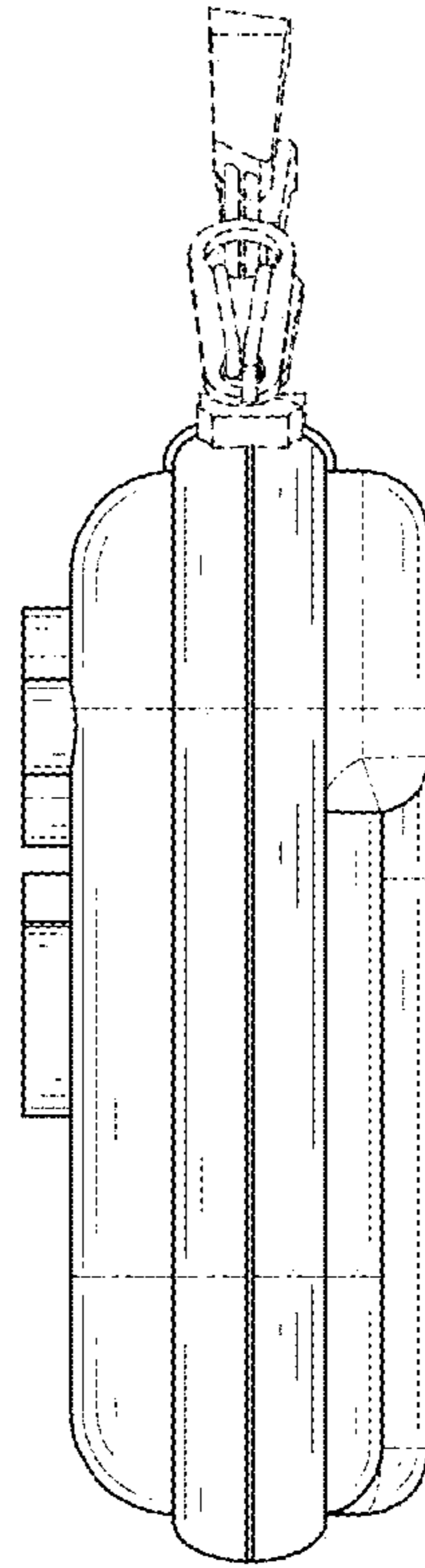


FIG. 4

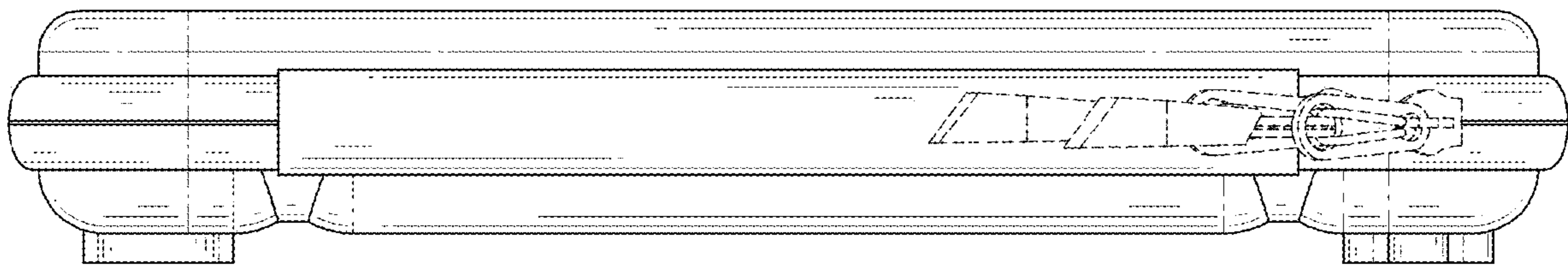


FIG. 5

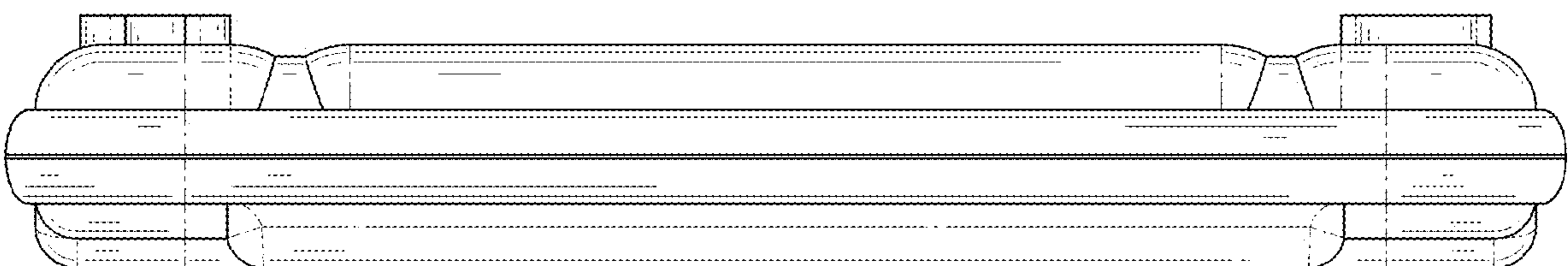


FIG. 6

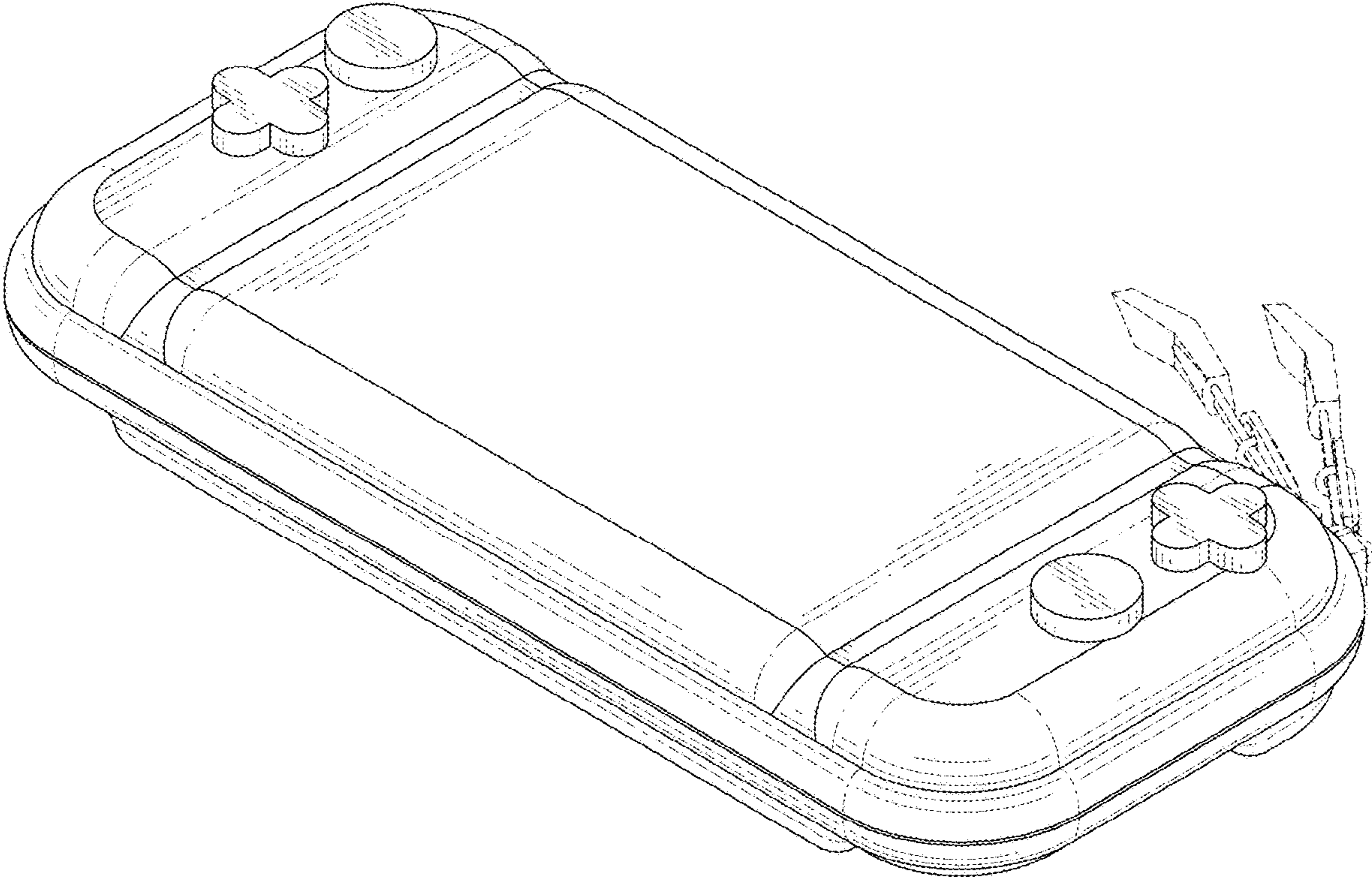


FIG. 7

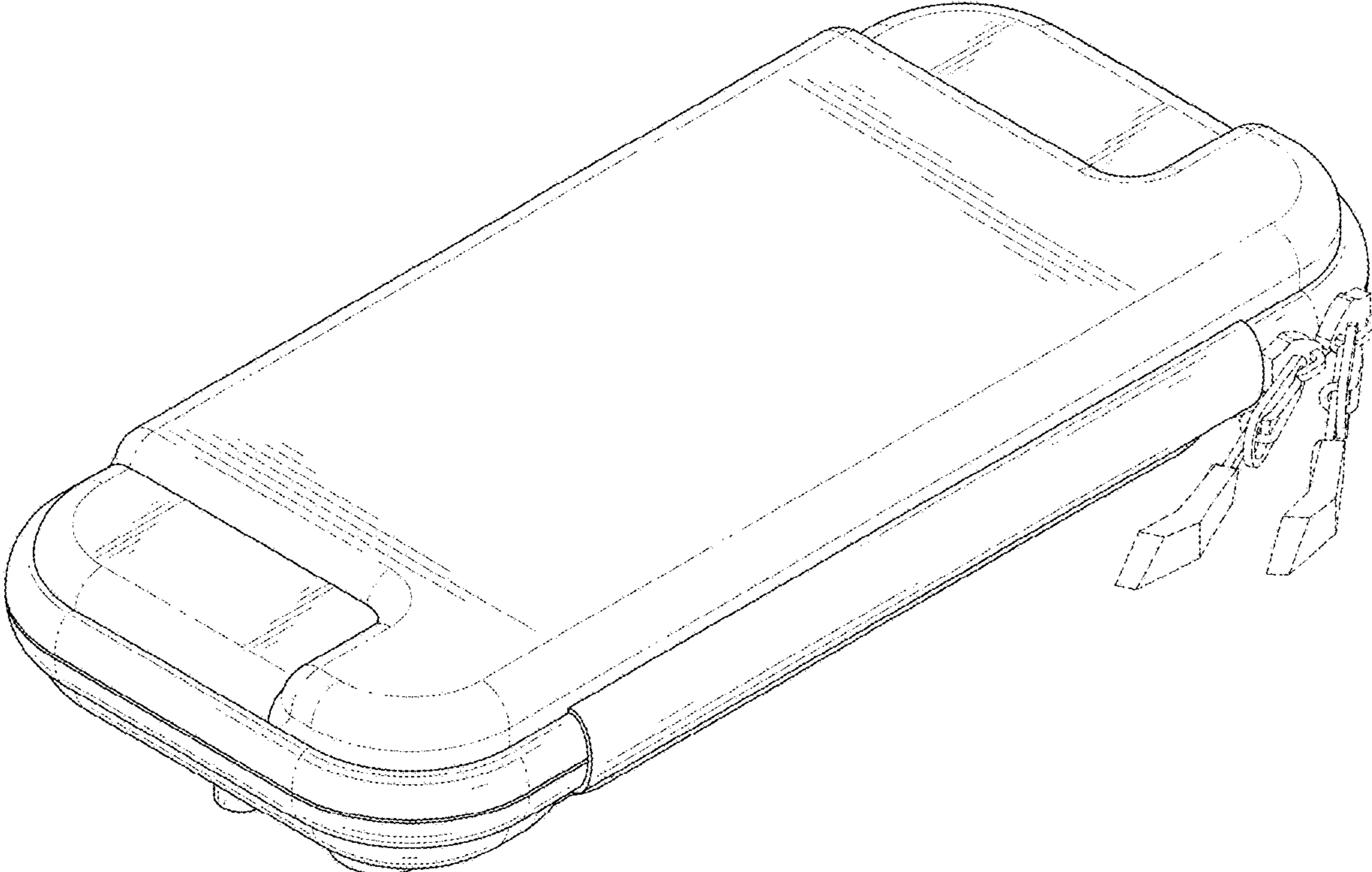


FIG. 8