



US00D881991S

(12) **United States Design Patent**
Sabate

(10) **Patent No.:** **US D881,991 S**

(45) **Date of Patent:** **** Apr. 21, 2020**

(54) **LABEL APPLICATOR FOR CONSUMER PRODUCTS**

(71) Applicant: **Societe BIC**, Clichy (FR)

(72) Inventor: **Charles J. Sabate**, Barcelona (ES)

(73) Assignee: **Societe BIC**, Clichy (FR)

(**) Term: **15 Years**

(21) Appl. No.: **29/626,732**

(22) Filed: **Nov. 20, 2017**

(30) **Foreign Application Priority Data**

May 24, 2017 (EM) 004017143

(51) **LOC (12) Cl.** **19-08**

(52) **U.S. Cl.**
USPC **D20/22**

(58) **Field of Classification Search**
USPC D6/511, 592, 613; D8/354; D9/457;
D11/165, 172, 200, 216, 218, 219;
D12/193; D14/374; D18/19; D19/67;
D20/22-28; 24/169, 198, 305; D2/639
CPC . B60R 13/105; G09F 1/04; G09F 1/10; G09F
1/103; G09F 1/12; G09F 1/14; G09F
2001/106; G09F 3/18; G09F 3/185; G09F
3/20; G09F 3/201; G09F 3/202; G09F
3/204; G09F 7/10; G09F 7/18
See application file for complete search history.

(56) **References Cited**

U.S. PATENT DOCUMENTS

D246,346 S * 11/1977 Strunk D8/354
5,088,161 A * 2/1992 Robertson B60R 22/024
24/199
D324,991 S * 3/1992 Gary D8/354
D329,192 S * 9/1992 Susac D8/349

D333,803 S * 3/1993 Franklin D11/200
5,201,099 A * 4/1993 Campbell A44B 11/04
24/186
5,850,954 A * 12/1998 Dong-Joo H04M 1/04
224/197
D426,701 S * 6/2000 Edwards D3/218
D438,536 S * 3/2001 Willison D14/253
D455,643 S * 4/2002 Aubin D6/553
D484,778 S * 1/2004 French D8/373
D492,187 S * 6/2004 Mottini D8/354
D507,959 S * 8/2005 Mottini D8/354
D564,032 S * 3/2008 Sato D20/22
D593,901 S * 6/2009 Gurule D11/200
D667,339 S * 9/2012 Bailey D11/201
D679,173 S * 4/2013 Parady D8/354
D708,420 S * 7/2014 Rosales D11/200
D709,356 S * 7/2014 Pollard D8/373
D740,168 S * 10/2015 Fildan D11/218
D753,982 S * 4/2016 Guirlinger D8/349
D776,916 S * 1/2017 Yeruva D14/253

(Continued)

Primary Examiner — Cathron C Brooks

Assistant Examiner — Christian P. McLean

(74) *Attorney, Agent, or Firm* — The H.T. Than Law Group

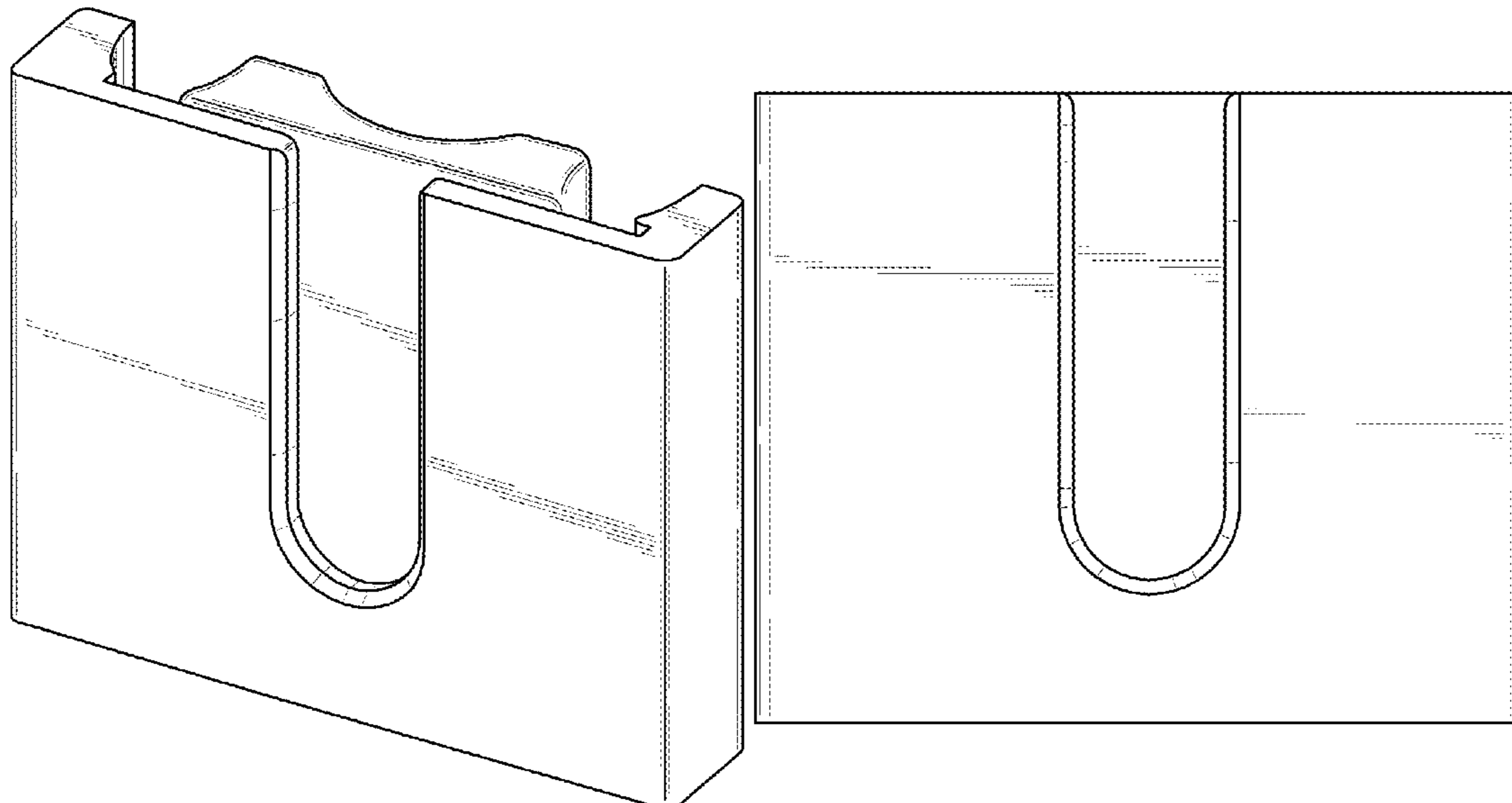
(57) **CLAIM**

The ornamental design for a label applicator for consumer products, as shown and described.

DESCRIPTION

FIG. 1 is a back perspective view of an ornamental design of a label applicator for consumer products according to the present invention;
FIG. 2 is a front view thereof;
FIG. 3 is a back view thereof;
FIG. 4 is a left side view thereof, the right side view being a mirror image;
FIG. 5 is a bottom view; and,
FIG. 6 is a top view thereof.

1 Claim, 3 Drawing Sheets



(56)

References Cited

U.S. PATENT DOCUMENTS

D807,819	S *	1/2018	Park	D13/107
D817,152	S *	5/2018	Ng	D8/354
D818,801	S *	5/2018	Ng	D8/354
D819,428	S *	6/2018	Ng	D8/354
10,123,592	B2 *	11/2018	Raymond	A44B 99/00
D847,609	S *	5/2019	Ng	D8/354
2004/0093700	A1 *	5/2004	Frangesh	A44B 11/04 24/169
2004/0154141	A1 *	8/2004	Barnes	B60R 22/30 24/198
2006/0186304	A1 *	8/2006	McGee	A47G 1/1606 248/476
2008/0209698	A1 *	9/2008	Colorado	A45F 5/02 24/595.1

* cited by examiner

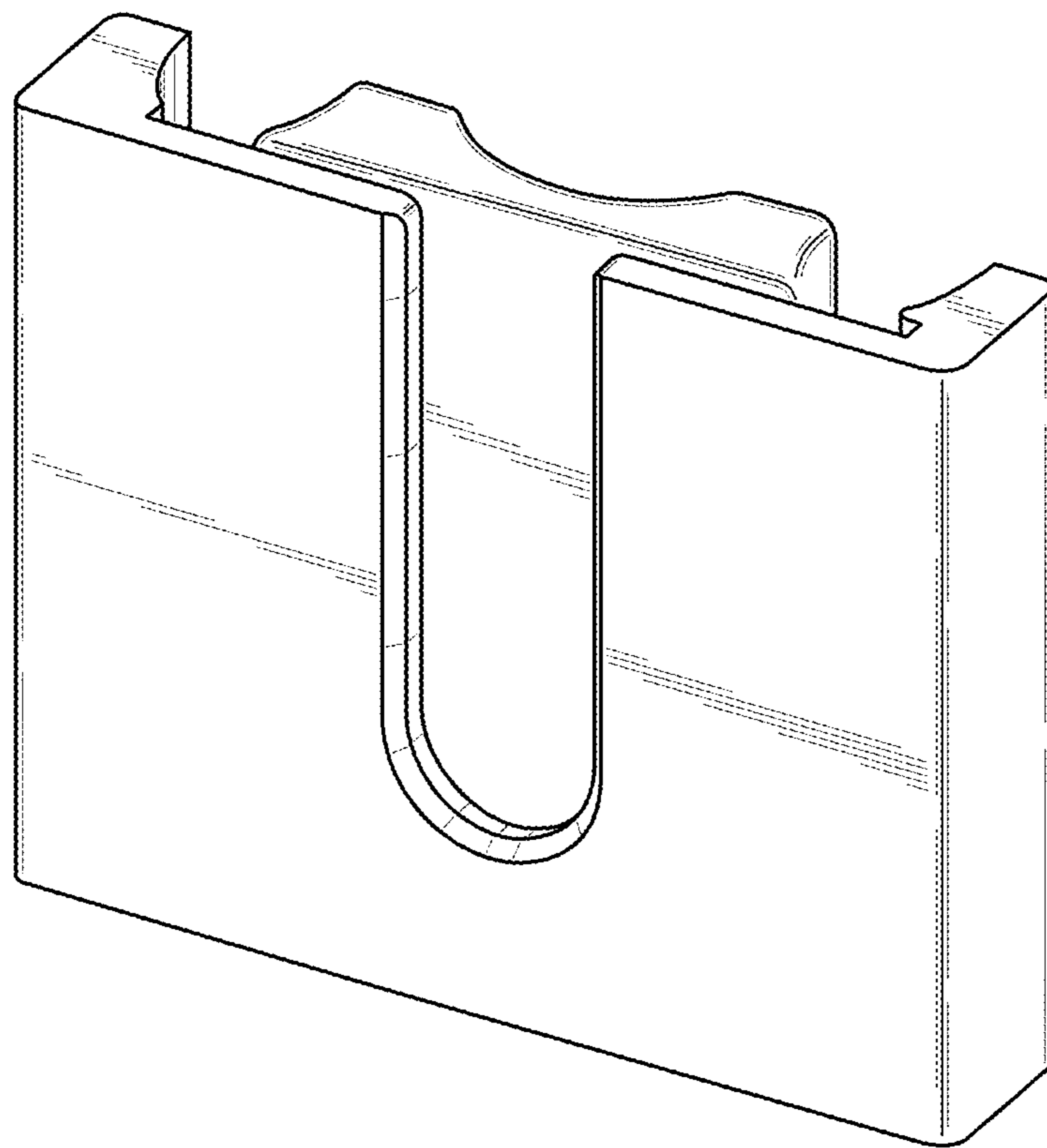


Fig.1

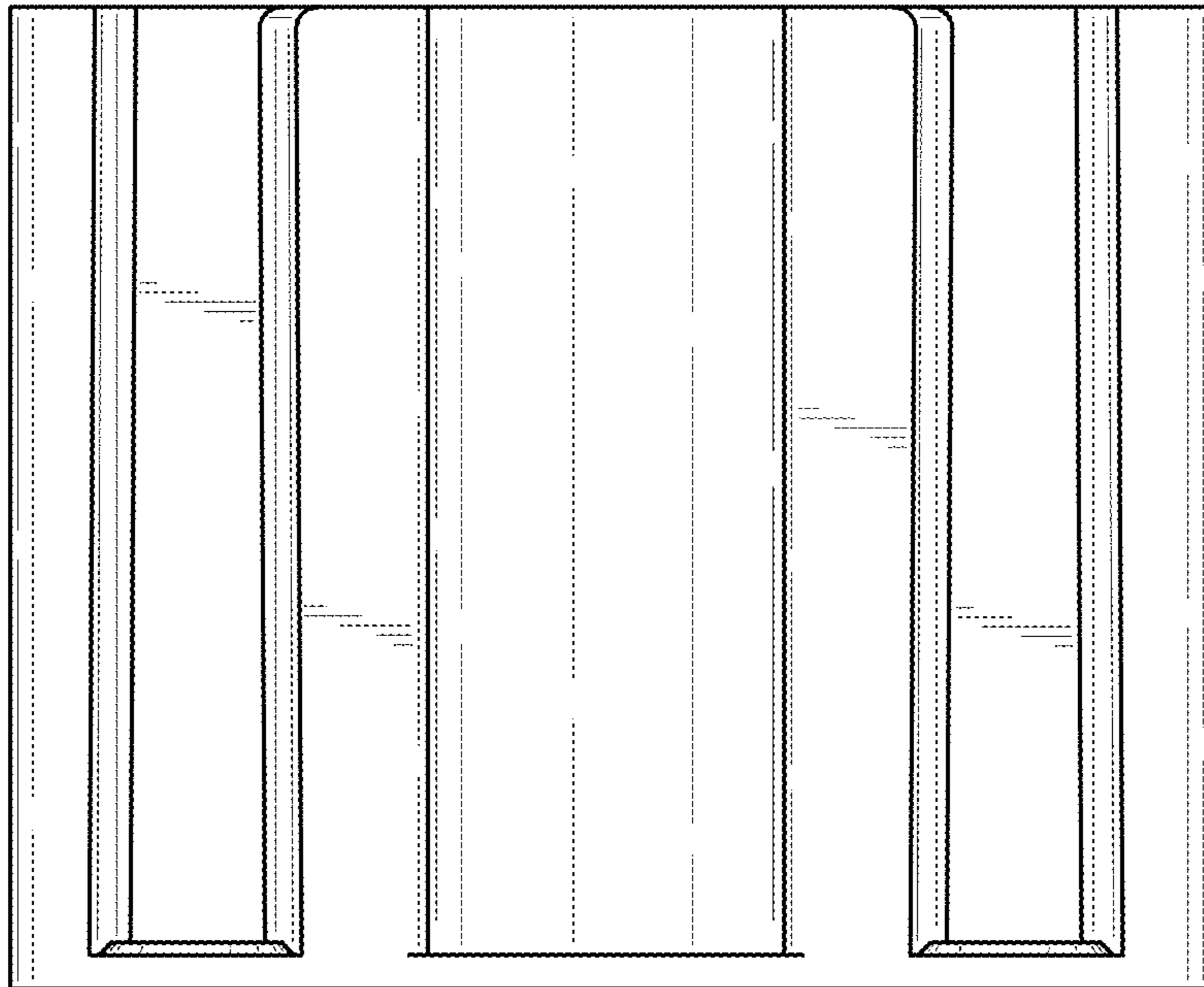


Fig. 2

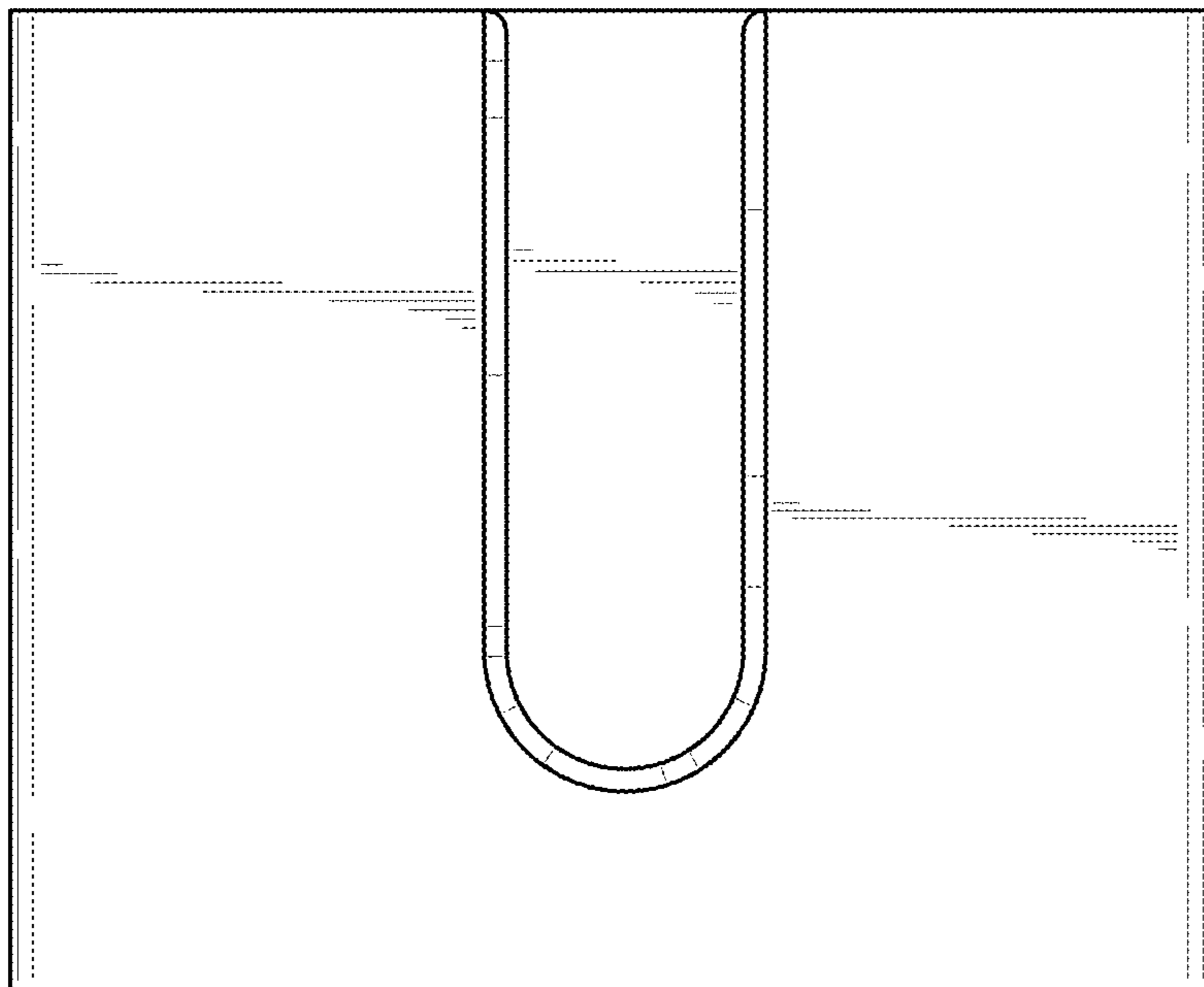


Fig. 3

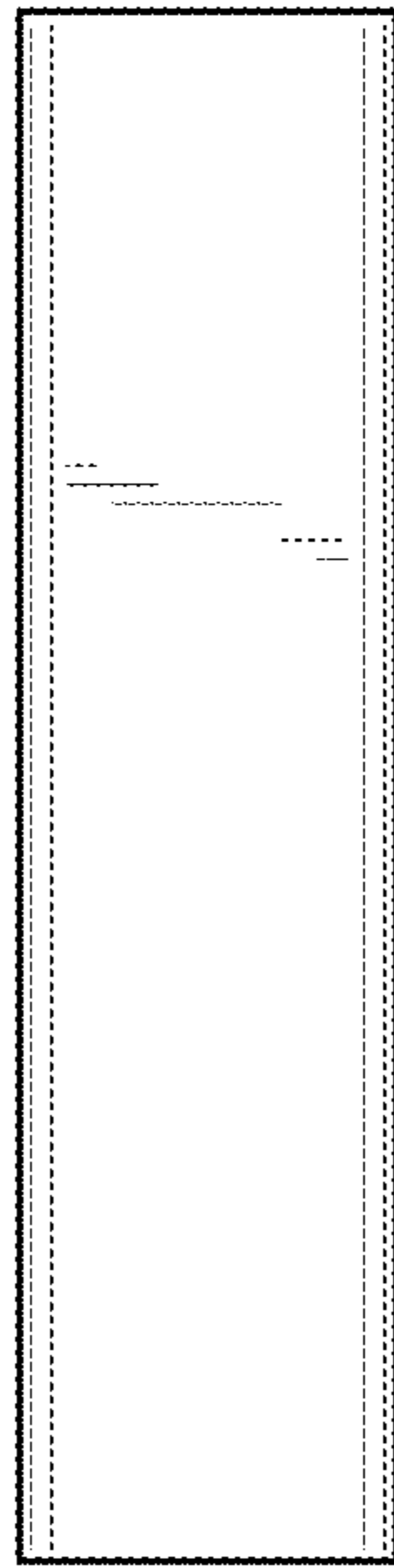


Fig. 4

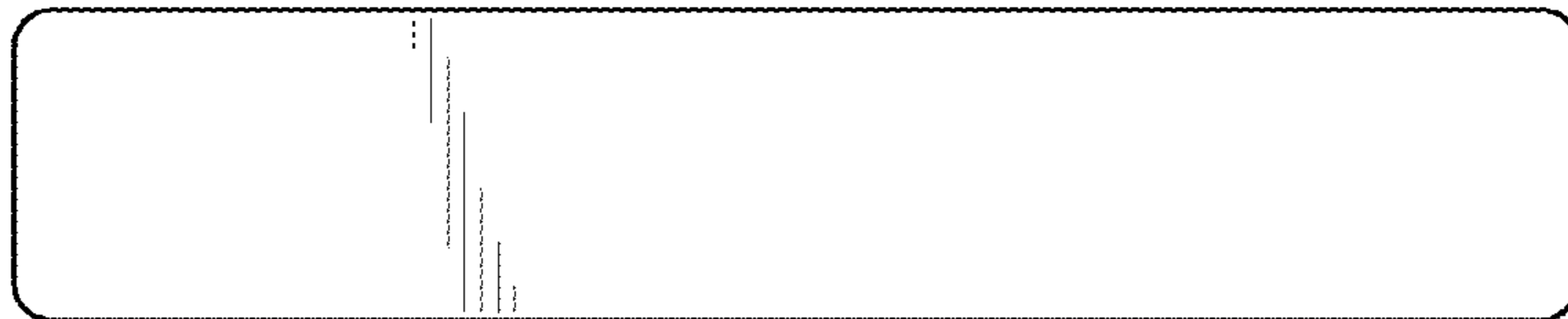


Fig. 5

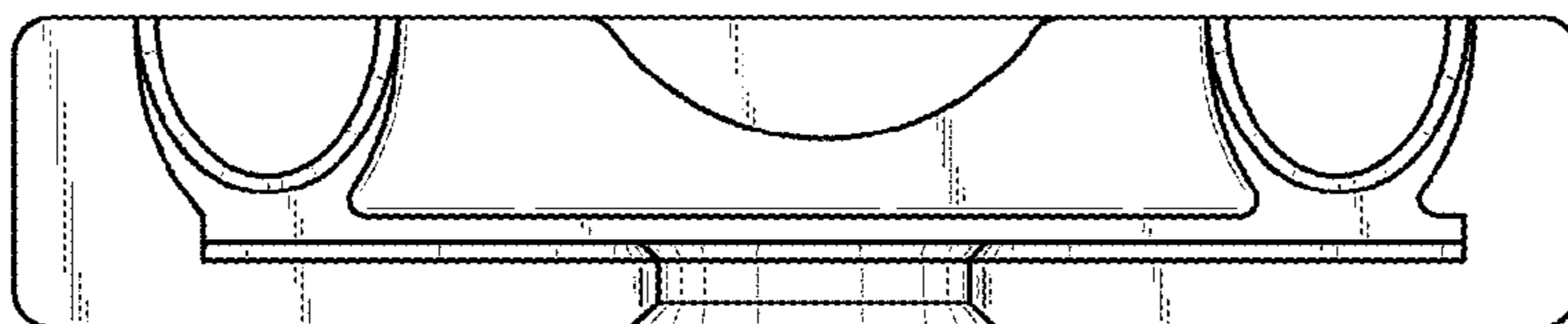


Fig. 6