



US00D881990S

(12) **United States Design Patent**
Gedeon

(10) **Patent No.:** **US D881,990 S**
(45) **Date of Patent:** **** Apr. 21, 2020**

(54) **CHECKOUT DIVIDER**

(56) **References Cited**

(71) Applicant: **Jean-Paul Sharbel Gedeon**, Honolulu, HI (US)

(72) Inventor: **Jean-Paul Sharbel Gedeon**, Honolulu, HI (US)

(**) Term: **15 Years**

(21) Appl. No.: **29/634,026**

(22) Filed: **Jan. 17, 2018**

(51) **LOC (12) Cl.** **20-03**

(52) **U.S. Cl.**
USPC **D20/19; D20/43**

(58) **Field of Classification Search**
USPC D10/109.1, 109.2, 113.4; D20/10, 11, 20/19, 22-28, 40, 99; D26/31; 40/368, 40/446, 452, 453, 488, 491, 538, 541, 40/542, 545-548, 563, 564, 568, 40/570-574, 582, 584, 594, 596, 600, 40/605, 615, 617, 618, 624; 362/217, 362/551, 559, 562, 565, 806, 811, 812; D6/300, 309; D12/182, 183, 193; D14/126, 374; D19/113, 1, 6, 9, 10, 32, D19/34, 86, 99; D8/354; D9/457; D11/165, 172; D25/119
CPC A47F 5/0807; G09F 7/16; G09F 2007/122; G09F 13/00; G09F 13/04; G09F 13/06; G09F 13/18; G09F 13/22; G09F 13/24; G09F 13/26; G09F 2013/1895; G09F 15/00

See application file for complete search history.

U.S. PATENT DOCUMENTS

2,411,368 A * 11/1946 Dow G09F 3/203
206/103
4,534,126 A * 8/1985 Gilman G09F 23/06
40/661
D312,097 S * 11/1990 Robinson D20/10
5,152,034 A * 10/1992 Konings B65D 33/1666
24/30.5 R

(Continued)

OTHER PUBLICATIONS

“Checkout Dividers.” checkoutdividers.com. Date not available. Accessed Dec. 29, 2019. Available online at URI: <http://www.checkoutdividers.com/> (Year: N/A).*

(Continued)

Primary Examiner — Cathron C Brooks

Assistant Examiner — Christian P. McLean

(74) *Attorney, Agent, or Firm* — Keri Ann K. S.

Krzykowski; Martin E. Hsia

(57) **CLAIM**

The ornamental design for a checkout divider, as shown and described.

DESCRIPTION

FIG. 1 is a front top perspective view of a checkout divider showing the new design;
FIG. 2 is a front view of the design shown in FIG. 1, with the environmental structure removed for clarity of disclosure;
FIG. 3 is a left elevation view thereof, the right elevation view being the mirror image;
FIG. 4 is a rear elevation view thereof, the front elevation view being the mirror
FIG. 5 is a top plan view thereof;

(Continued)

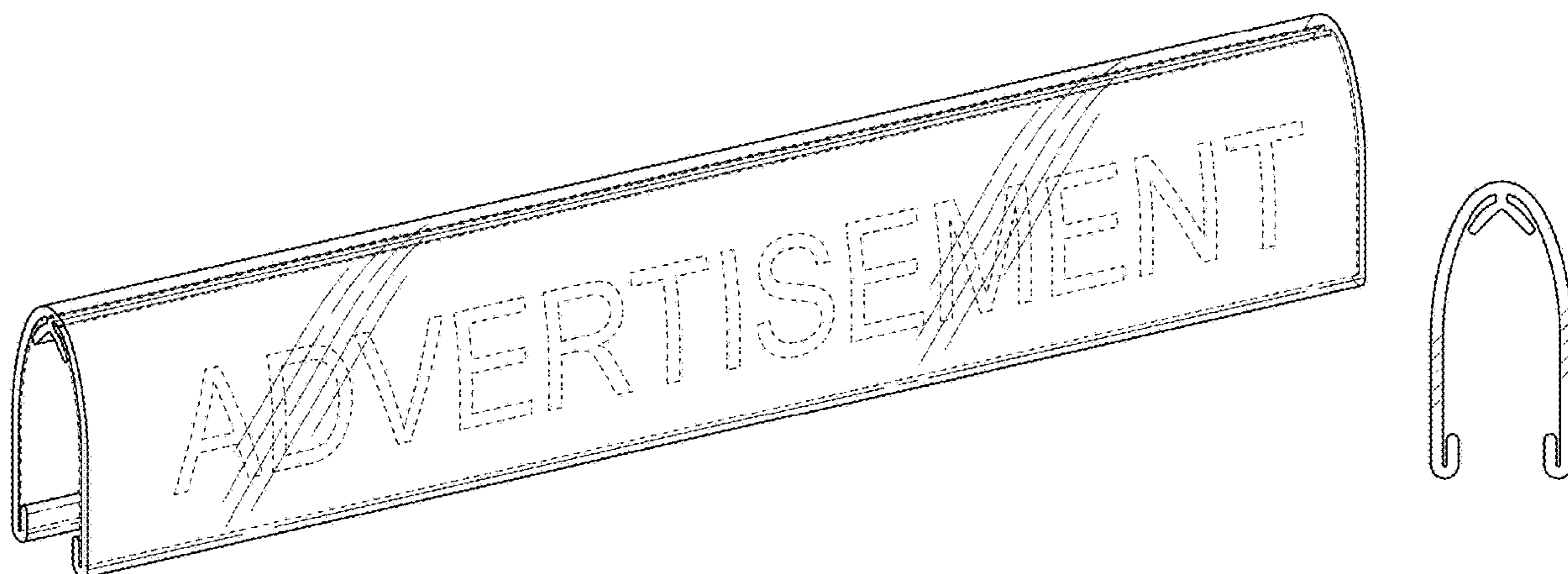


FIG. 6 is a bottom plan view thereof;
 FIG. 7. is a top perspective view of the design of FIG. 1,
 shown with additional environmental structure;
 FIG. 8. is a top perspective view of the design, of FIG. 2,
 shown with a different environmental structure; and
 FIG. 9. is a top perspective view of the design of FIG. 2,
 shown with yet another environmental structure.
 The broken lines shown in FIGS. 1 and 7-9 depict environ-
 mental structure that forms no part of the design.

1 Claim, 5 Drawing Sheets

(56)

References Cited

U.S. PATENT DOCUMENTS

D368,934	S *	4/1996	Elmer	D20/42
D403,360	S *	12/1998	Cobb	D20/41
D513,280	S *	12/2005	Kosir	D20/44
7,284,347	B2 *	10/2007	Rodrigues	G09F 3/20 40/124.06
D585,398	S *	1/2009	Hwang	D14/130
D645,907	S *	9/2011	Sandel	D20/22
D669,135	S *	10/2012	Garfinkle	D20/43
D676,990	S *	2/2013	Adams	D26/31
D678,952	S *	3/2013	Verbal	D20/27
D690,366	S *	9/2013	Bouwhuis	D20/43

D696,205	S *	12/2013	Woodlief	D13/155
D751,149	S	3/2016	Saputo et al.		
D765,659	S *	9/2016	Kim	D14/375
D782,090	S *	3/2017	Graham	D26/31
D850,707	S *	6/2019	Tremaine	D26/138
D855,702	S *	8/2019	Garfinkle	D20/43
D861,788	S *	10/2019	Kihl	D20/10
D872,931	S *	1/2020	Tremaine	D26/138
2003/0233775	A1	12/2003	Klopfer		
2005/0205747	A1 *	9/2005	Pitcher	A47B 97/02 248/452
2008/0110068	A1 *	5/2008	Pugmire	G09F 1/06 40/584
2014/0259818	A1 *	9/2014	Cushing	G09F 1/06 40/124.14
2018/0306413	A1 *	10/2018	Tremaine	F21V 15/012

OTHER PUBLICATIONS

“Adsticks.” adsticks.com. Available Jun. 26, 2017. Accessed Dec. 29, 2019 via Internet Archive Wayback Machine. Available online via URL: <https://web.archive.org/web/20170626221500/http://www.adsticks.com/advertisinggallery2.html> (Year: 2017).*

“AdBar—Retail Media.” retailmedia.ca. Available Feb. 18, 2018. Accessed Dec. 29, 2019 via Internet Archive Wayback Machine. Available online via URL: <https://web.archive.org/web/20180218150655/https://retailmedia.ca/products/grocery-products/adbar/> (Year: 2018).*

* cited by examiner

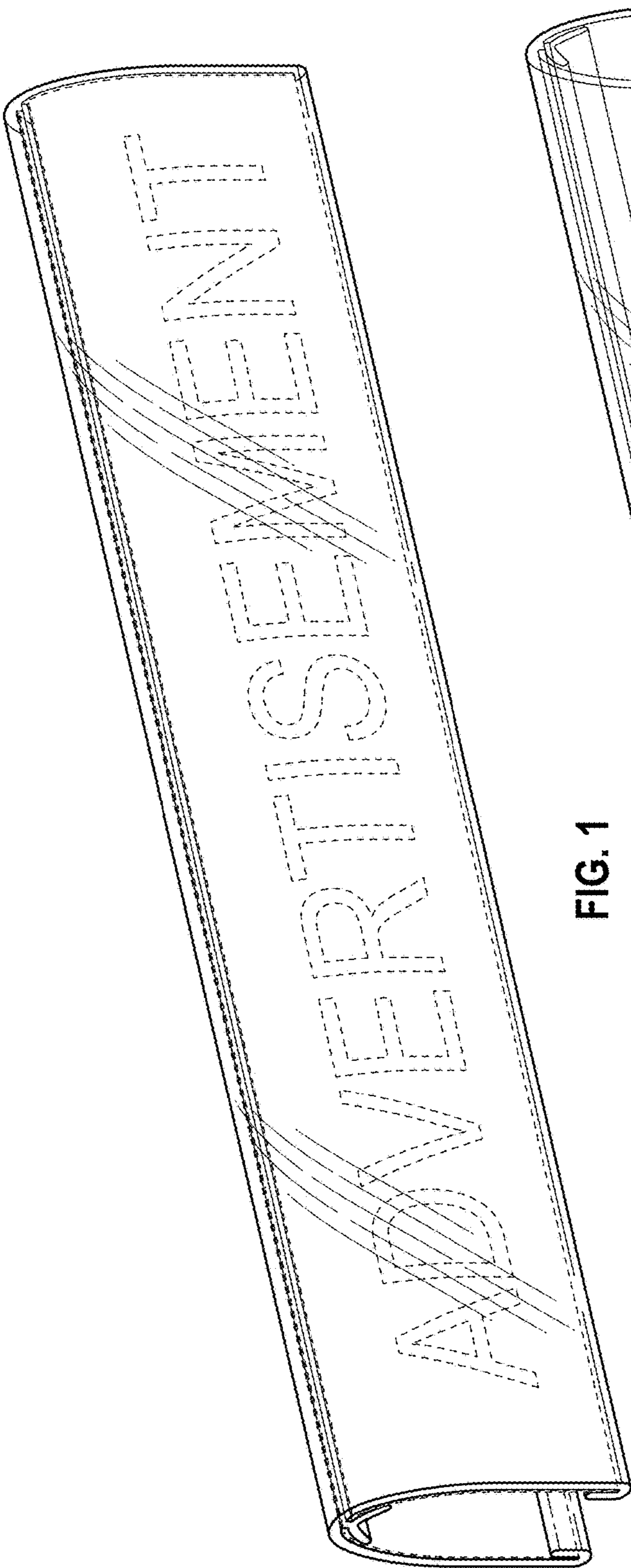


FIG. 1

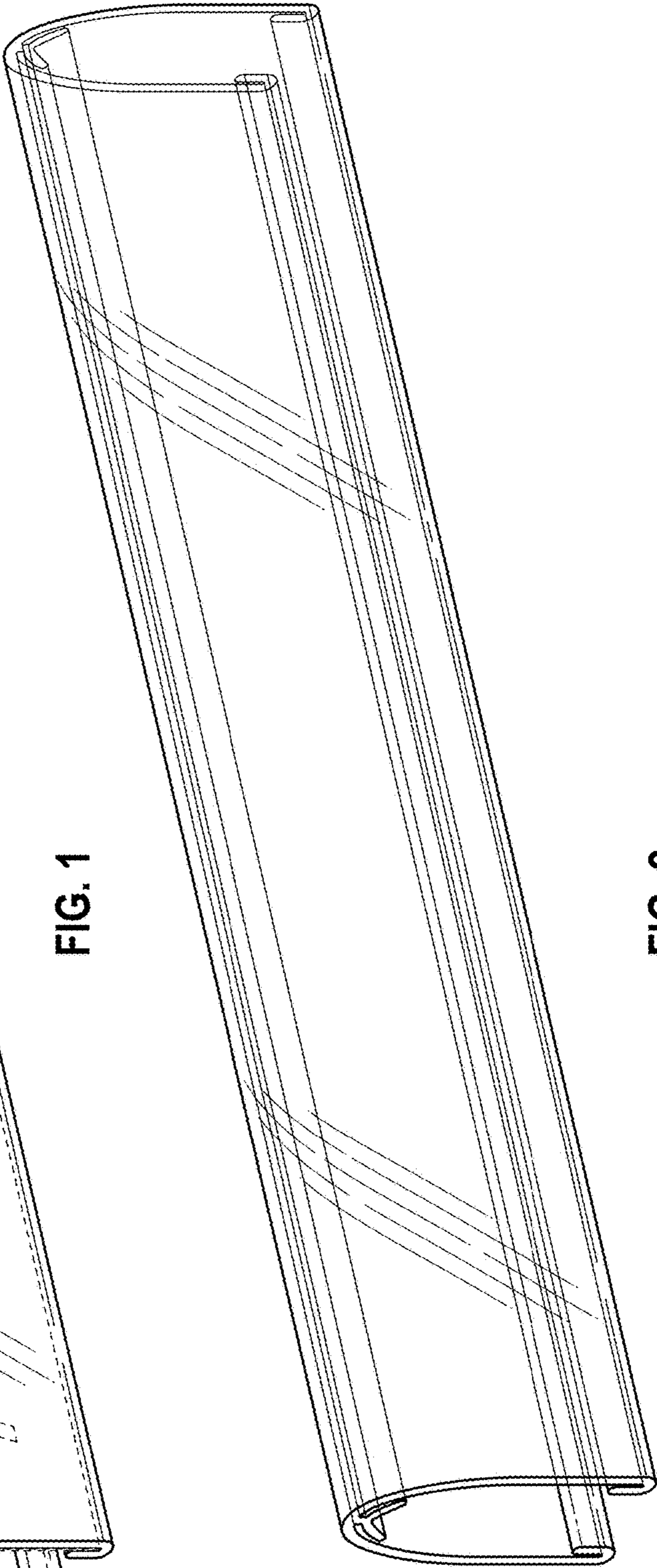


FIG. 2

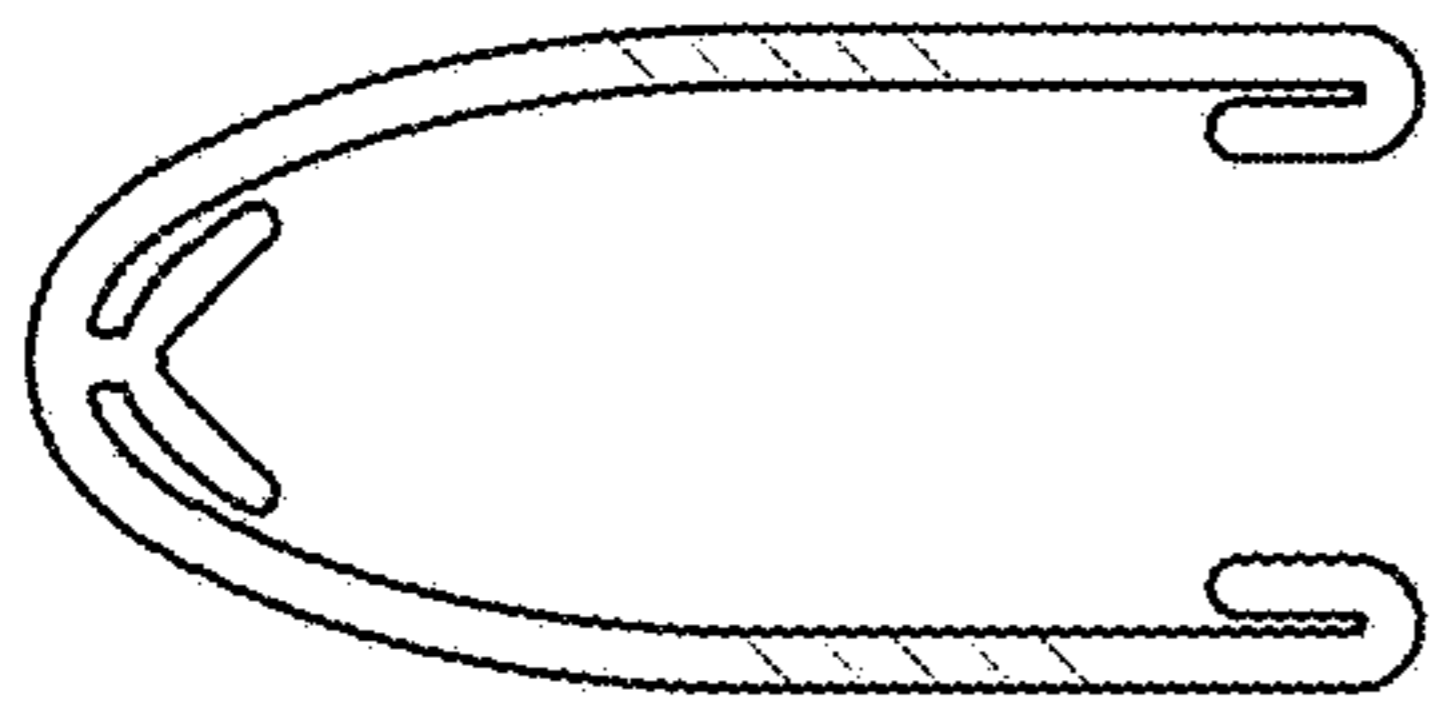


FIG. 3

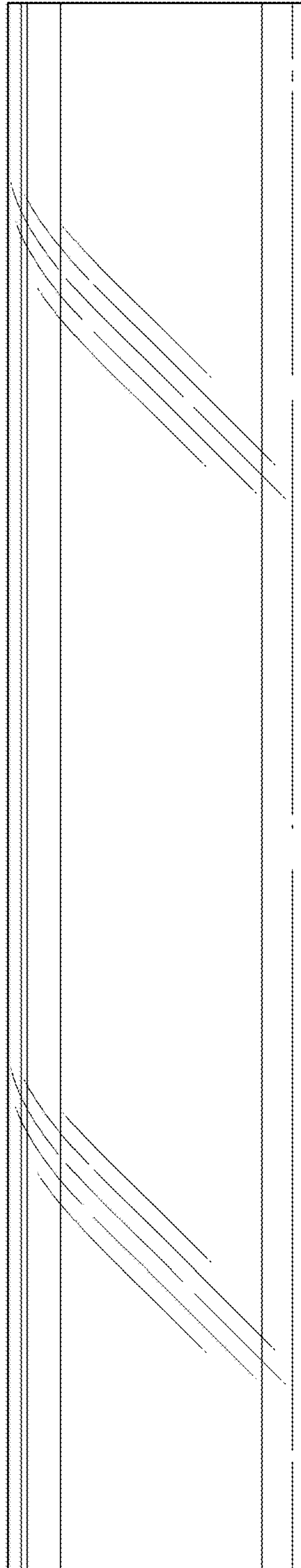


FIG. 4

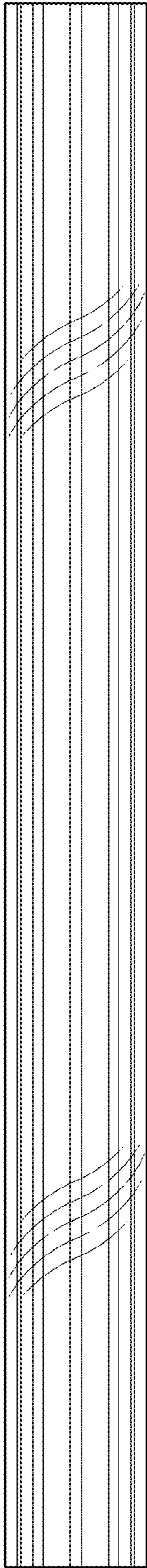


FIG. 5

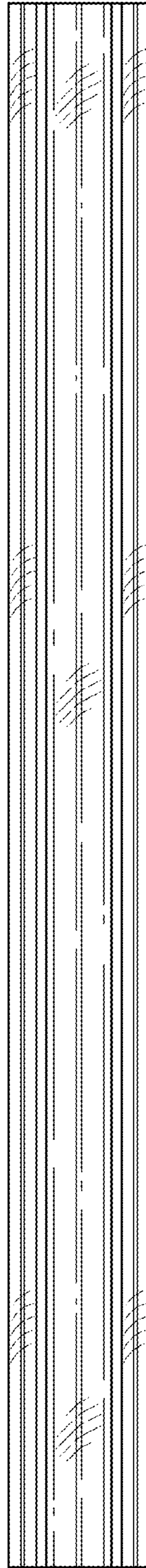


FIG. 6

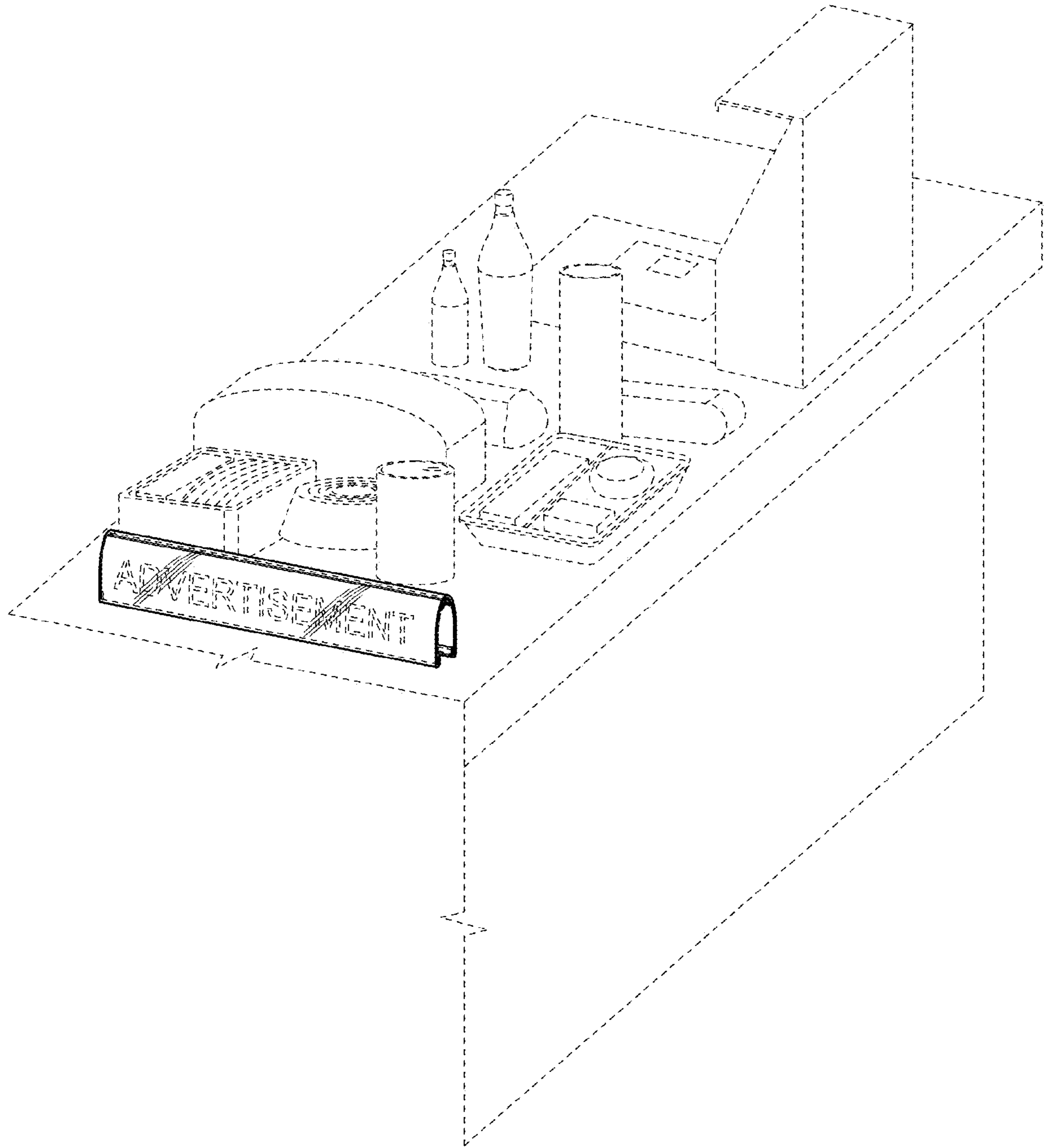


FIG. 7

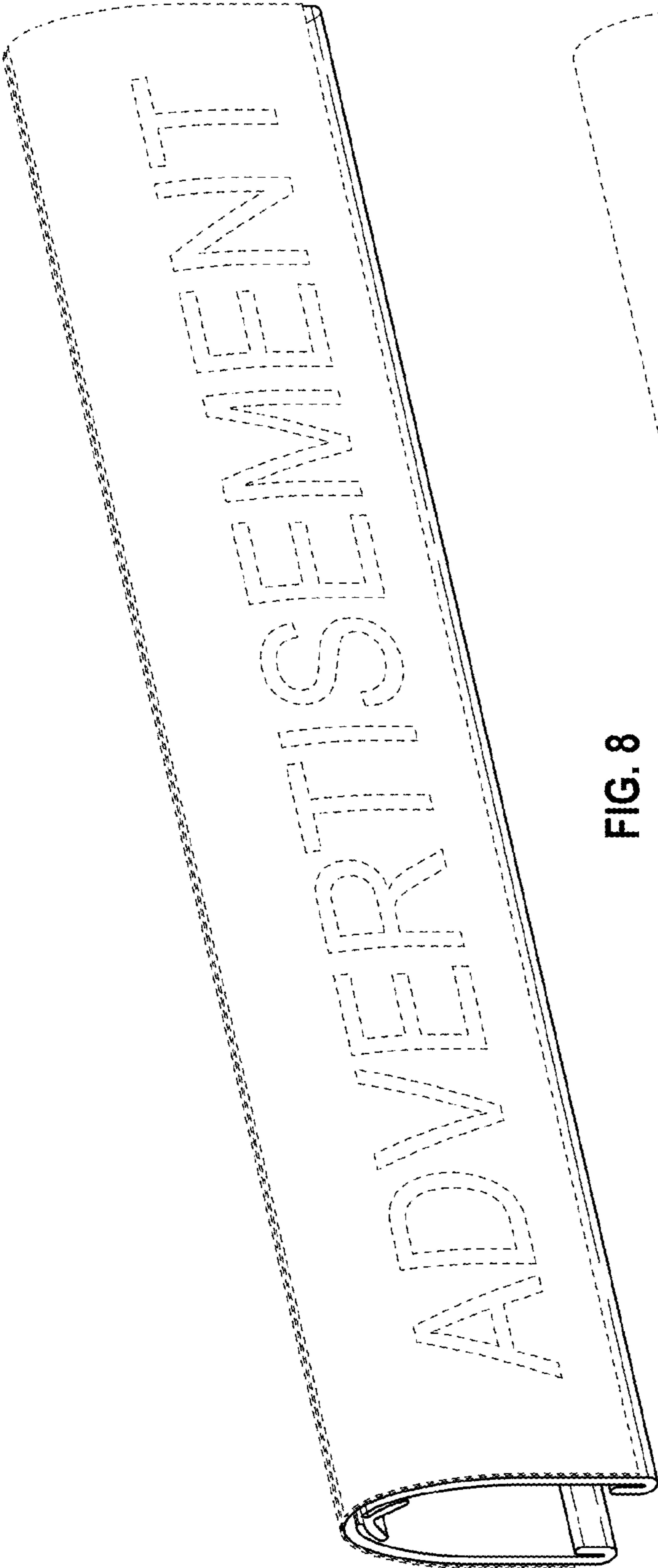


FIG. 8

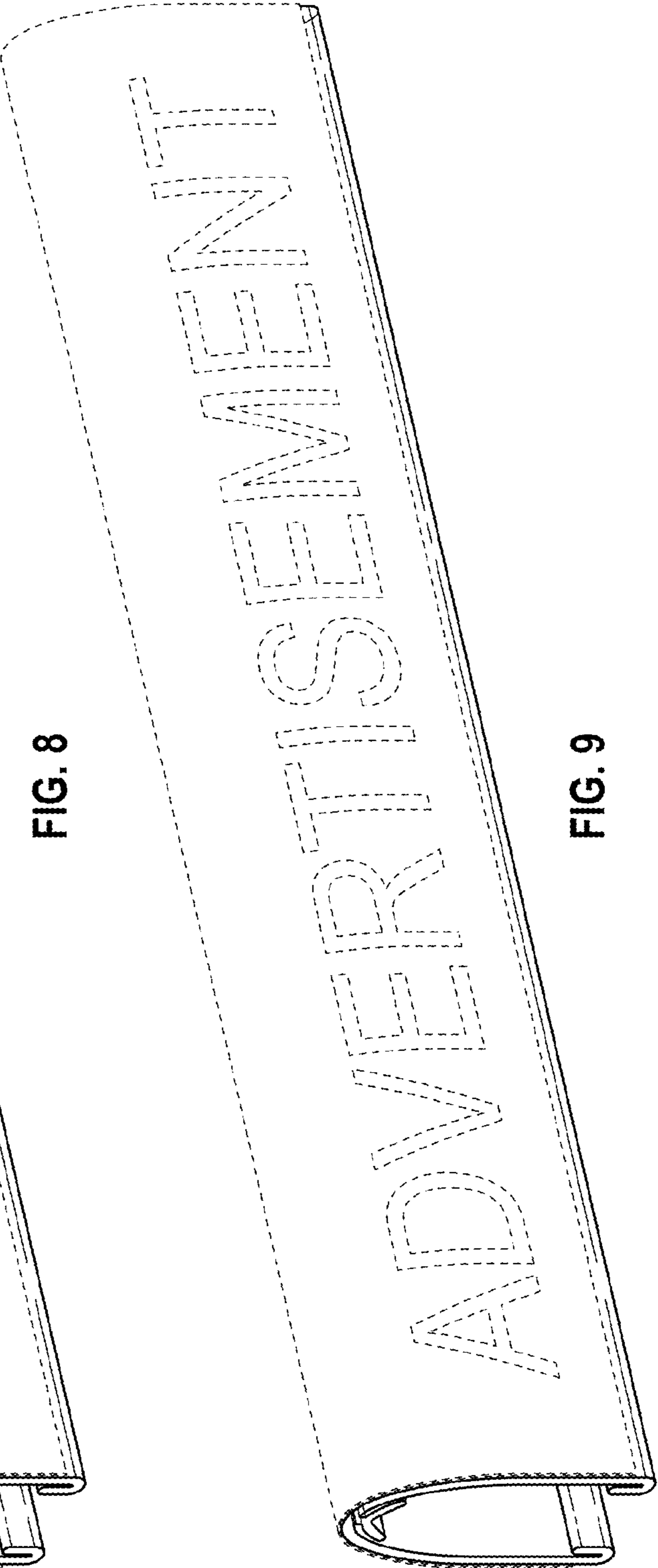


FIG. 9