



US00D881989S

(12) **United States Design Patent** (10) **Patent No.:** **US D881,989 S**
Casciotti et al. (45) **Date of Patent:** **** Apr. 21, 2020**

(54) **WRITING INSTRUMENT**

(71) Applicant: **Amsterdam Printing & Litho, Inc.**,
North Mankato, MN (US)

(72) Inventors: **David M. Casciotti**, Amsterdam, NY
(US); **Jing P. Mahler**, Glenville, NY
(US); **Aaron Boese**, Saratoga Springs,
NY (US)

(73) Assignee: **Amsterdam Printing & Litho, Inc.**,
North Mankato, MN (US)

(**) Term: **15 Years**

(21) Appl. No.: **29/670,169**

(22) Filed: **Nov. 14, 2018**

(51) **LOC (12) Cl.** **19-06**

(52) **U.S. Cl.**
USPC **D19/200**; D19/917

(58) **Field of Classification Search**
USPC D19/115-204; D14/411; D8/107
CPC . B43K 5/005; B43K 7/12; B43K 8/04; B43K
8/06; B43K 19/00; B43K 19/02; B43K
19/14; B43K 21/006; B43K 21/06
See application file for complete search history.

(56) **References Cited**

U.S. PATENT DOCUMENTS

D108,111 S *	1/1938	Trollen	D19/170
D182,207 S *	2/1958	Sherman	D19/170
D198,419 S *	6/1964	Hankins	D19/167
D361,596 S *	8/1995	Young	D19/170
D441,018 S *	4/2001	Droege	D19/172
D445,827 S *	7/2001	Stropkay	D19/164
D482,070 S *	11/2003	Kennedy	D19/201
D483,067 S *	12/2003	Takanashi	D19/164
D491,224 S *	6/2004	Hsieh	D19/174
D496,963 S *	10/2004	Losel	D19/174
D497,950 S *	11/2004	Takanashi	D19/167

D499,762 S *	12/2004	Shova	D19/166
D501,508 S *	2/2005	Lecce	D19/174
D502,218 S *	2/2005	Lecce	D19/173
D502,739 S *	3/2005	Shova	D19/166
D532,454 S *	11/2006	Togawa	D19/168
D535,696 S *	1/2007	Briggl	D19/173
D538,341 S *	3/2007	Oas	D19/121
D540,867 S *	4/2007	Koch	D19/174
D548,791 S *	8/2007	Santa Maria	D19/199
D549,779 S *	8/2007	Shimizu	D19/203
D565,102 S *	3/2008	Anand	D19/172
D571,400 S *	6/2008	Anand	D19/174
D578,573 S *	10/2008	Bhavnani	D19/175
D582,981 S *	12/2008	Bhavnani	D19/199
D587,752 S	3/2009	Shimizu		
D601,198 S *	9/2009	Kouda	D19/171
D608,392 S	1/2010	Shibata		
D622,771 S	8/2010	Casciotti et al.		

(Continued)

FOREIGN PATENT DOCUMENTS

CA 118744 12/2007

Primary Examiner — Elizabeth A. Albert
(74) *Attorney, Agent, or Firm* — Dicke, Billig & Czaja,
PLLC

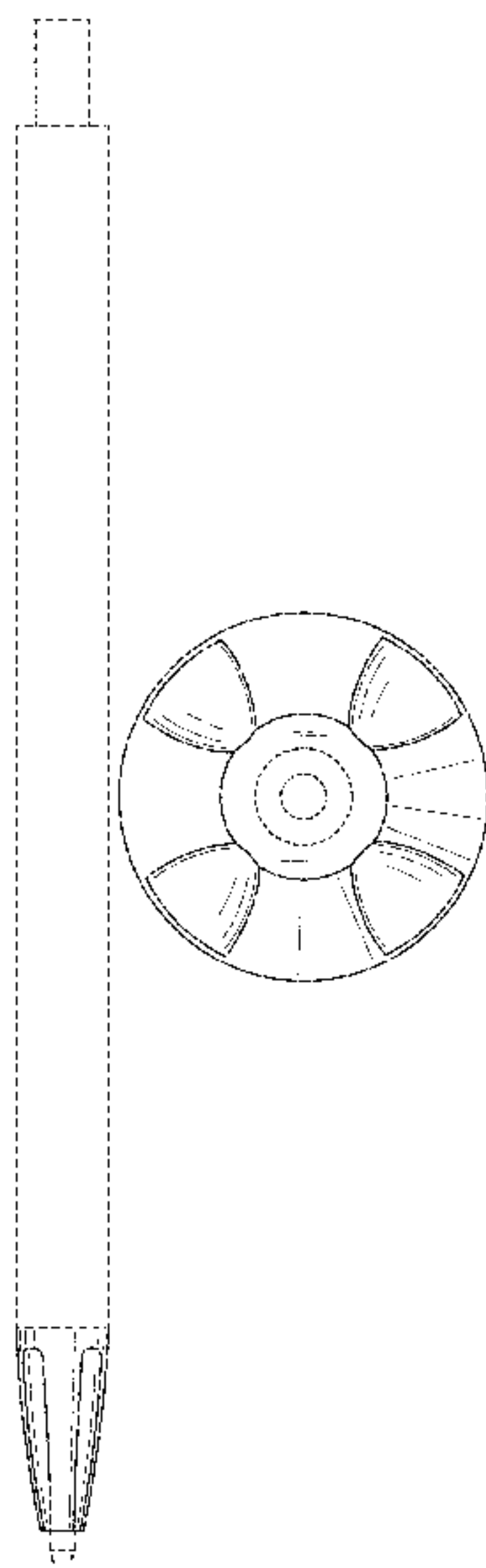
(57) **CLAIM**

We claim the ornamental design for a writing instrument, as shown and described.

DESCRIPTION

FIG. 1 is an isometric view of a writing instrument showing our new design;
FIG. 2 is a front view of FIG. 1, the back view, left side view, and right side view each being identical to FIG. 2;
FIG. 3 is a top view of FIG. 1; and,
FIG. 4 is an enlarged bottom view of FIG. 1.
The broken lines in the drawings of FIGS. 1-4 are included for the purpose of showing portions that form no part of the claimed design.

1 Claim, 4 Drawing Sheets



(56)

References Cited

U.S. PATENT DOCUMENTS

D832,921 S * 11/2018 Vadenne D19/171
D856,424 S * 8/2019 Casciotti D19/200
D865,965 S * 11/2019 Siciliano D24/146

* cited by examiner

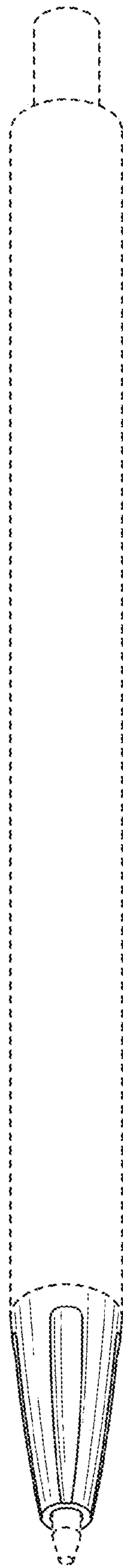


FIG. 1



FIG. 2

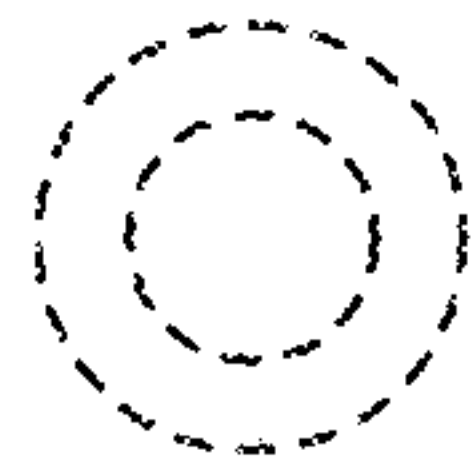


FIG. 3

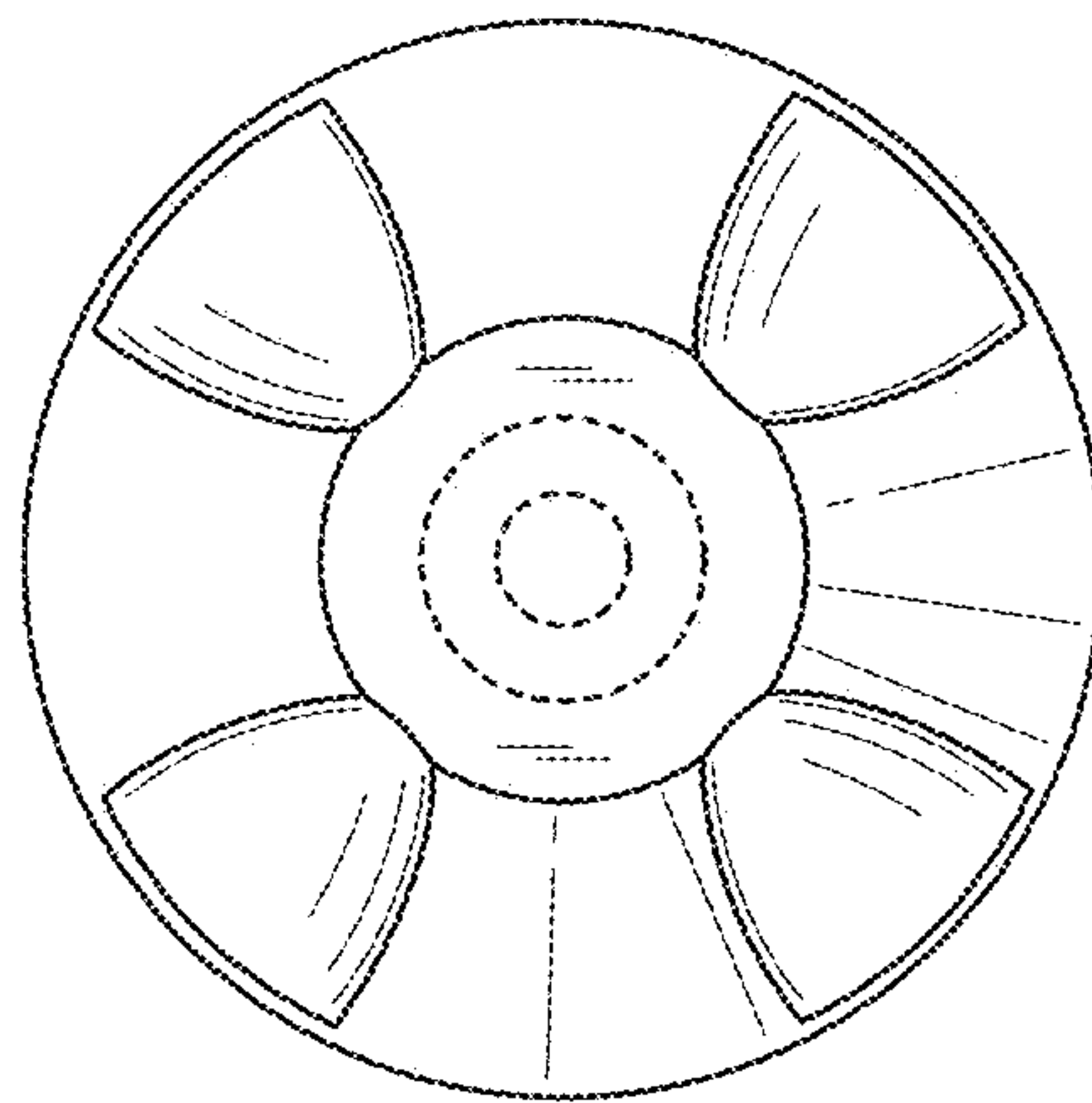


FIG. 4