



US00D881988S

(12) **United States Design Patent**
Fu

(10) **Patent No.:** **US D881,988 S**

(45) **Date of Patent:** **** Apr. 21, 2020**

- (54) **PAINT BRUSH CARRYING BAG**
- (71) Applicant: **Bichi Fu**, Beijing (CN)
- (72) Inventor: **Bichi Fu**, Beijing (CN)
- (**) Term: **15 Years**
- (21) Appl. No.: **29/719,205**
- (22) Filed: **Jan. 2, 2020**
- (51) **LOC (12) Cl.** **19-06**
- (52) **U.S. Cl.**
USPC **D19/105**
- (58) **Field of Classification Search**
USPC D3/205, 206, 224, 226, 227, 228, 299,
D3/902, 903; D4/108, 116; D9/702,
D9/703, 713, 721; D19/105
CPC . A45C 11/24; A45C 11/26; A45C 2013/1015;
A45C 13/02
See application file for complete search history.

(56) **References Cited**

U.S. PATENT DOCUMENTS

- 1,679,101 A * 7/1928 Sternthal A47G 21/14
206/553
- 3,181,751 A * 5/1965 Wilson A01K 97/06
383/39
- 3,880,285 A * 4/1975 March B65D 75/36
206/373
- 4,101,025 A * 7/1978 Jordan A45C 11/00
206/377
- D270,784 S * 10/1983 Forrester 224/918
- D271,787 S * 12/1983 Finley D3/224
- 4,478,333 A * 10/1984 Dalbo A45F 3/48
206/380
- D282,752 S * 2/1986 Olivetti D19/105
- 4,682,691 A * 7/1987 Spiering B25H 3/00
206/373
- 4,715,499 A * 12/1987 Franklin B25H 5/00
206/373

- 4,718,524 A * 1/1988 Crumley A45C 3/00
150/113
- 4,765,472 A * 8/1988 Dent A47J 47/18
206/373
- D323,065 S * 1/1992 Stricklin D19/83
- 5,427,239 A * 6/1995 Hunt B25H 3/00
190/125
- 6,070,729 A * 6/2000 Barnes A45C 11/26
206/373
- D445,564 S * 7/2001 Brookhouse D3/206
- D458,743 S * 6/2002 Brookhouse D3/206
- D459,071 S * 6/2002 Brookhouse D3/206
- D466,686 S * 12/2002 Brookhouse D3/206
- D471,011 S * 3/2003 Kowalsky D3/299
- D476,811 S * 7/2003 Brookhouse D3/206
- D500,919 S * 1/2005 MacKay D3/20
- D549,959 S * 9/2007 Wood D3/228
- 8,002,158 B1 * 8/2011 West A45C 15/00
2/49.2

D663,117 S 7/2012 Schiffman
(Continued)

Primary Examiner — Elizabeth A. Albert
(74) *Attorney, Agent, or Firm* — Jie Yang; ZANIP

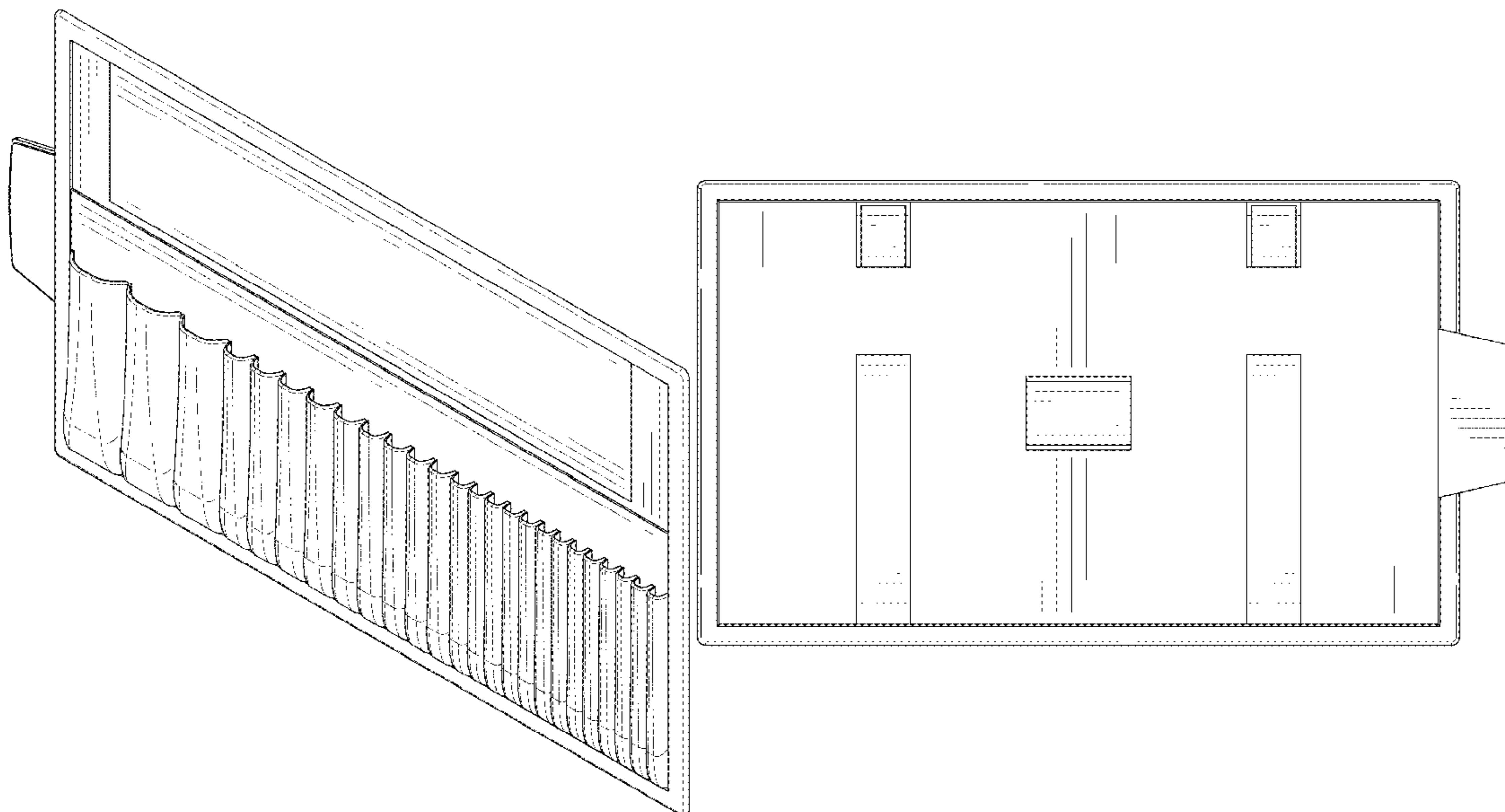
(57) **CLAIM**

The ornamental design for a paint brush carrying bag, as shown and described.

DESCRIPTION

FIG. 1 is a front perspective view of a paint brush carrying bag, showing my new design;
FIG. 2 is a rear perspective view thereof;
FIG. 3 is a front elevational view thereof;
FIG. 4 is a rear elevational view thereof;
FIG. 5 is a left side elevational view thereof;
FIG. 6 is a right side elevational view thereof;
FIG. 7 is a top plan view thereof;
FIG. 8 is a bottom plan view thereof; and,
FIG. 9 is a perspective view thereof, showing the paint brush carrying bag in a bended position.

1 Claim, 9 Drawing Sheets



(56)

References Cited

U.S. PATENT DOCUMENTS

D699,030 S *	2/2014	Etzler	D3/206
D730,647 S *	6/2015	Thompson	D3/284
D741,064 S *	10/2015	Ramos	D3/299
D753,398 S *	4/2016	Arami	D3/299
D790,847 S *	7/2017	Tappeiner	D3/205
D848,143 S *	5/2019	Touchstone	D3/215
D872,459 S *	1/2020	Grissinger	D3/206

* cited by examiner

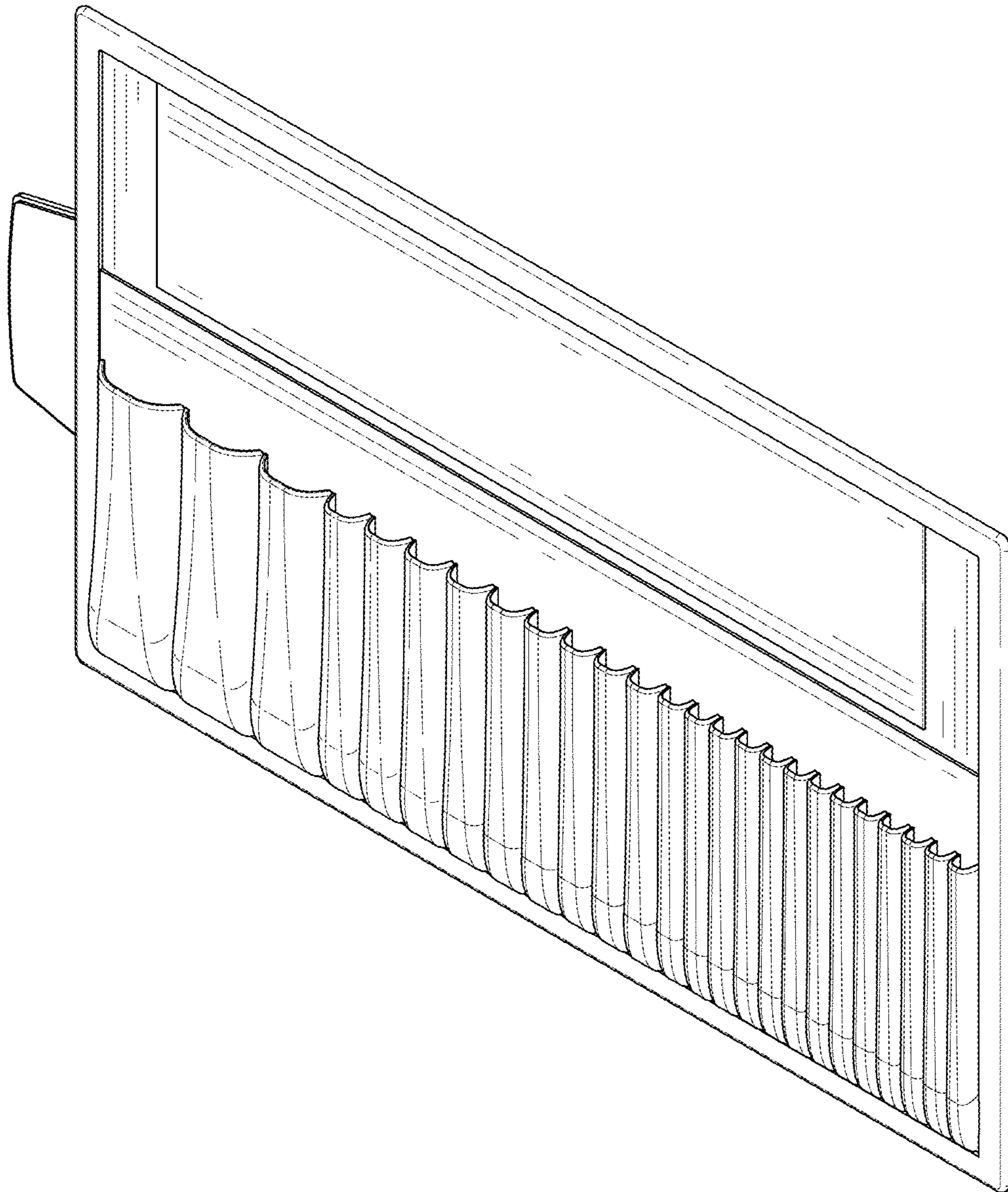


FIG. 1

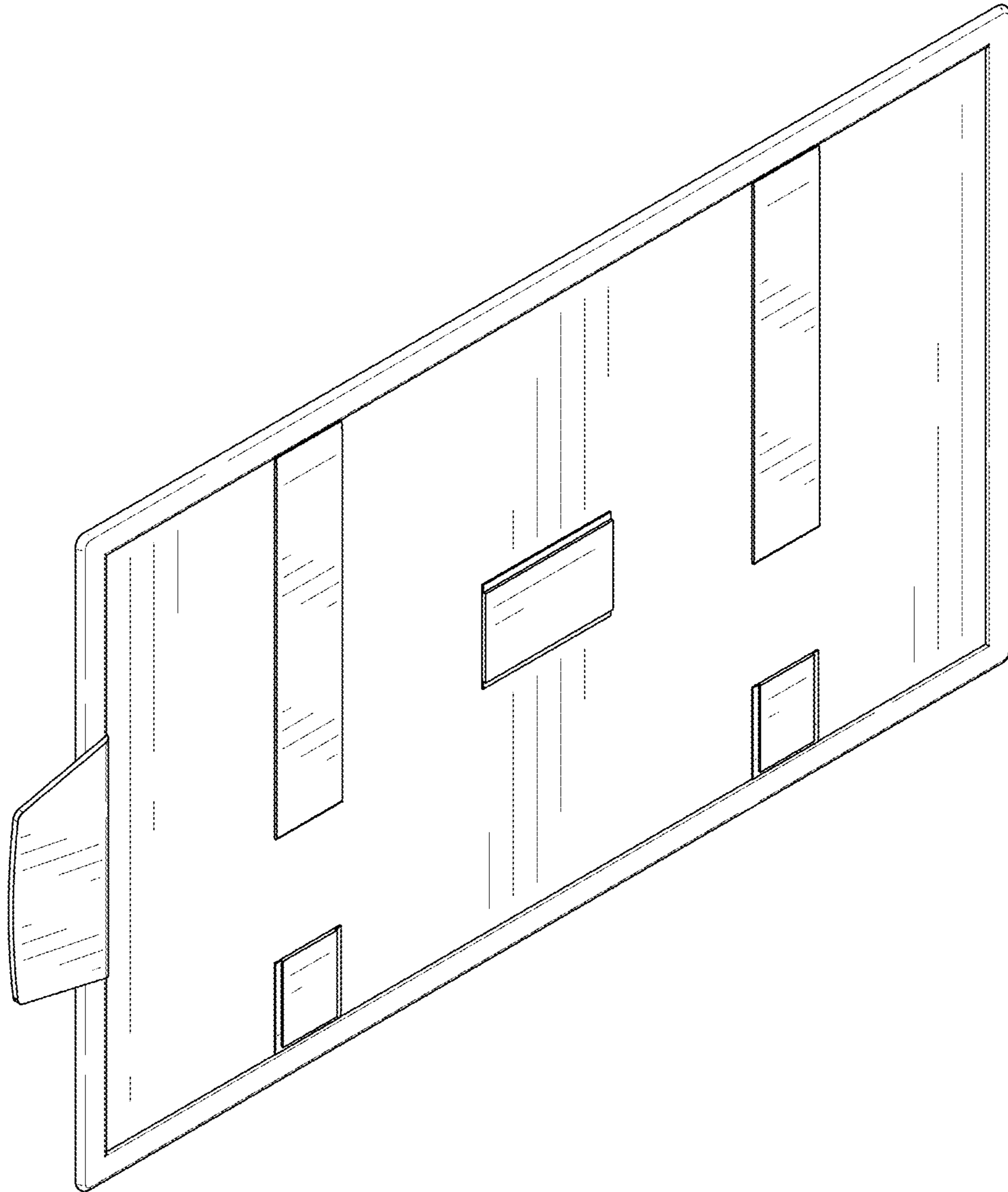


FIG. 2

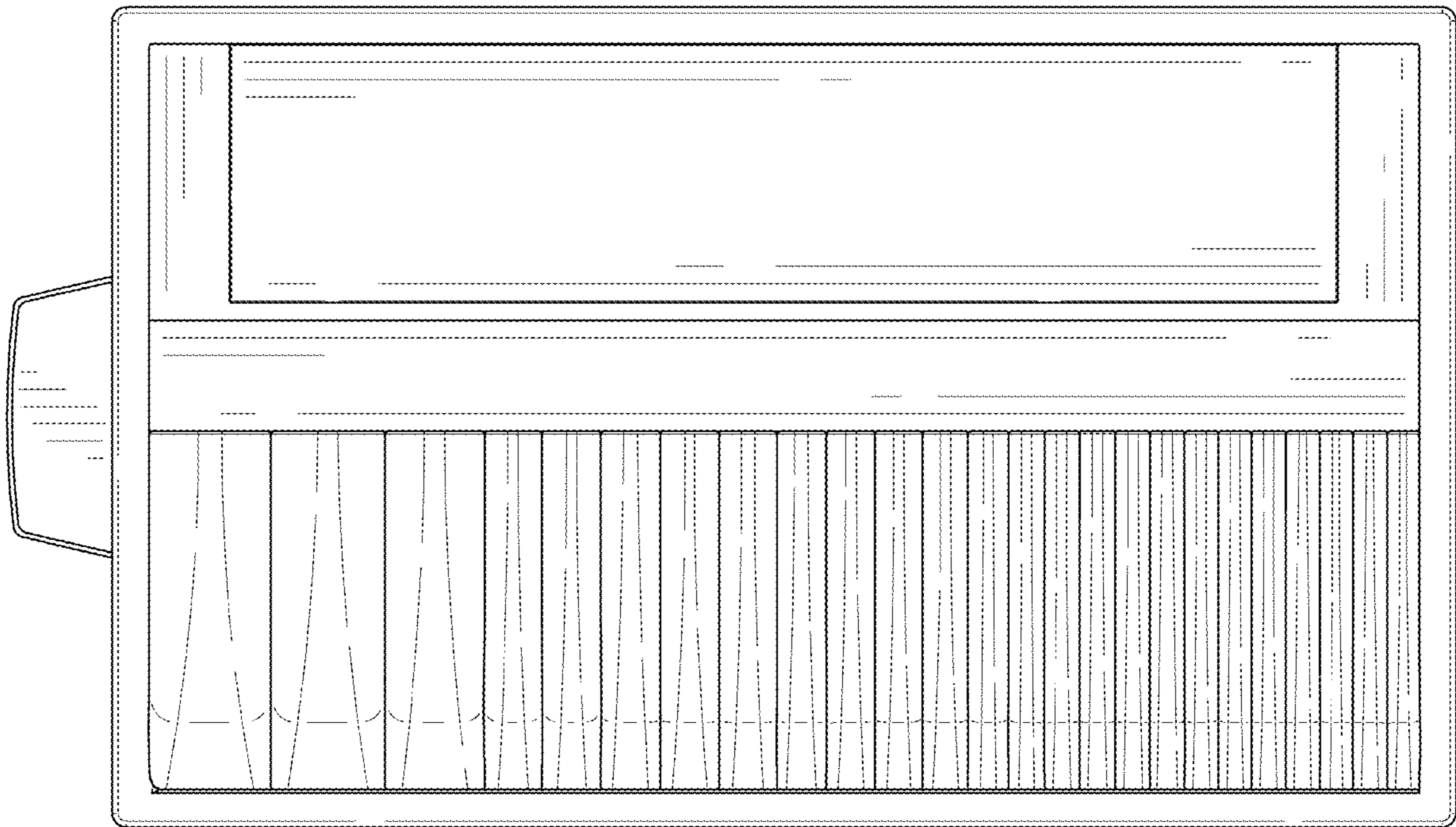


FIG. 3

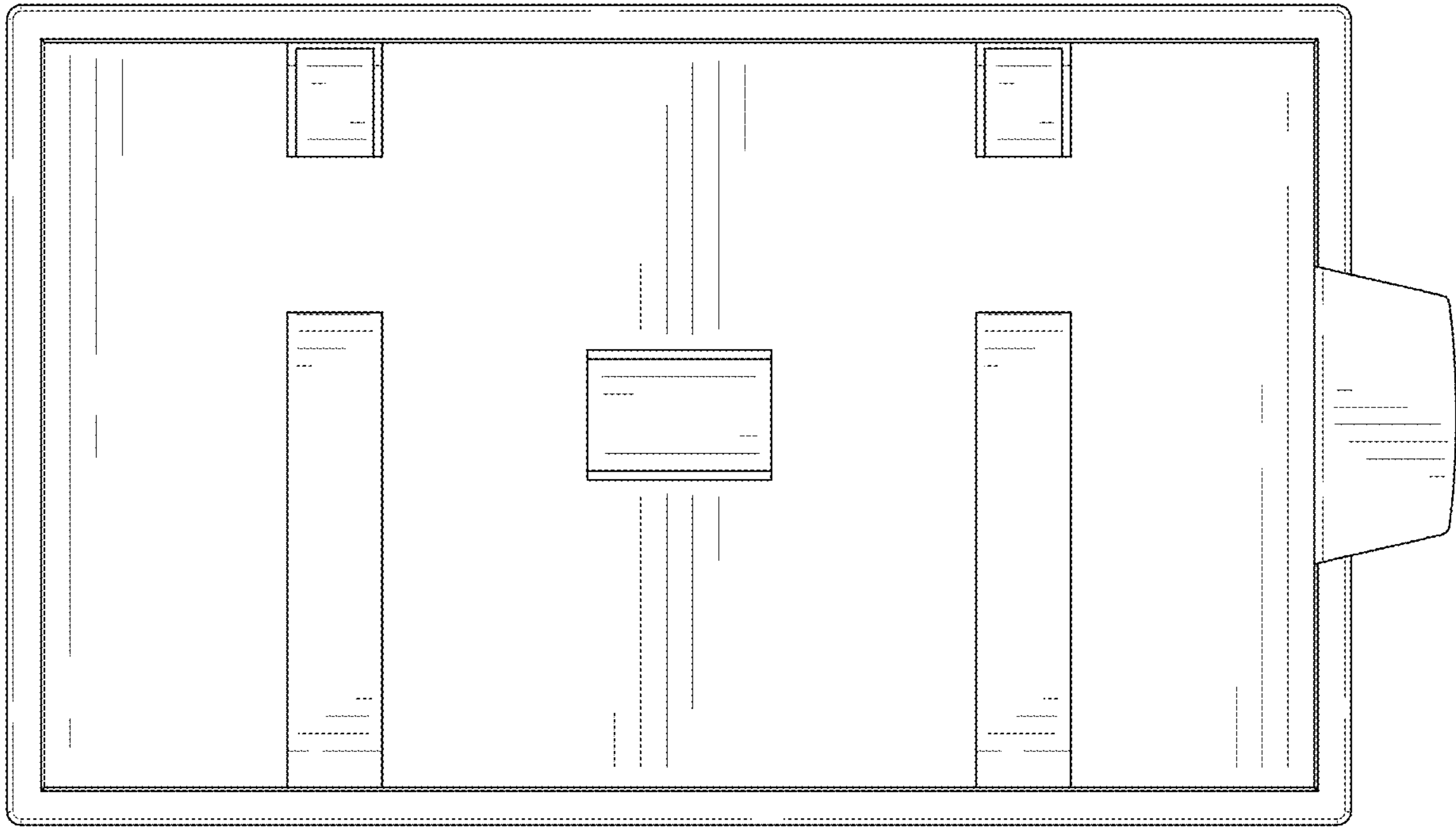


FIG. 4



FIG. 5



FIG. 6

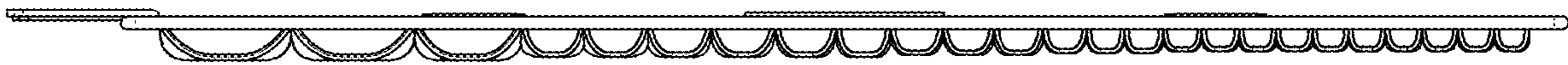


FIG. 7



FIG. 8

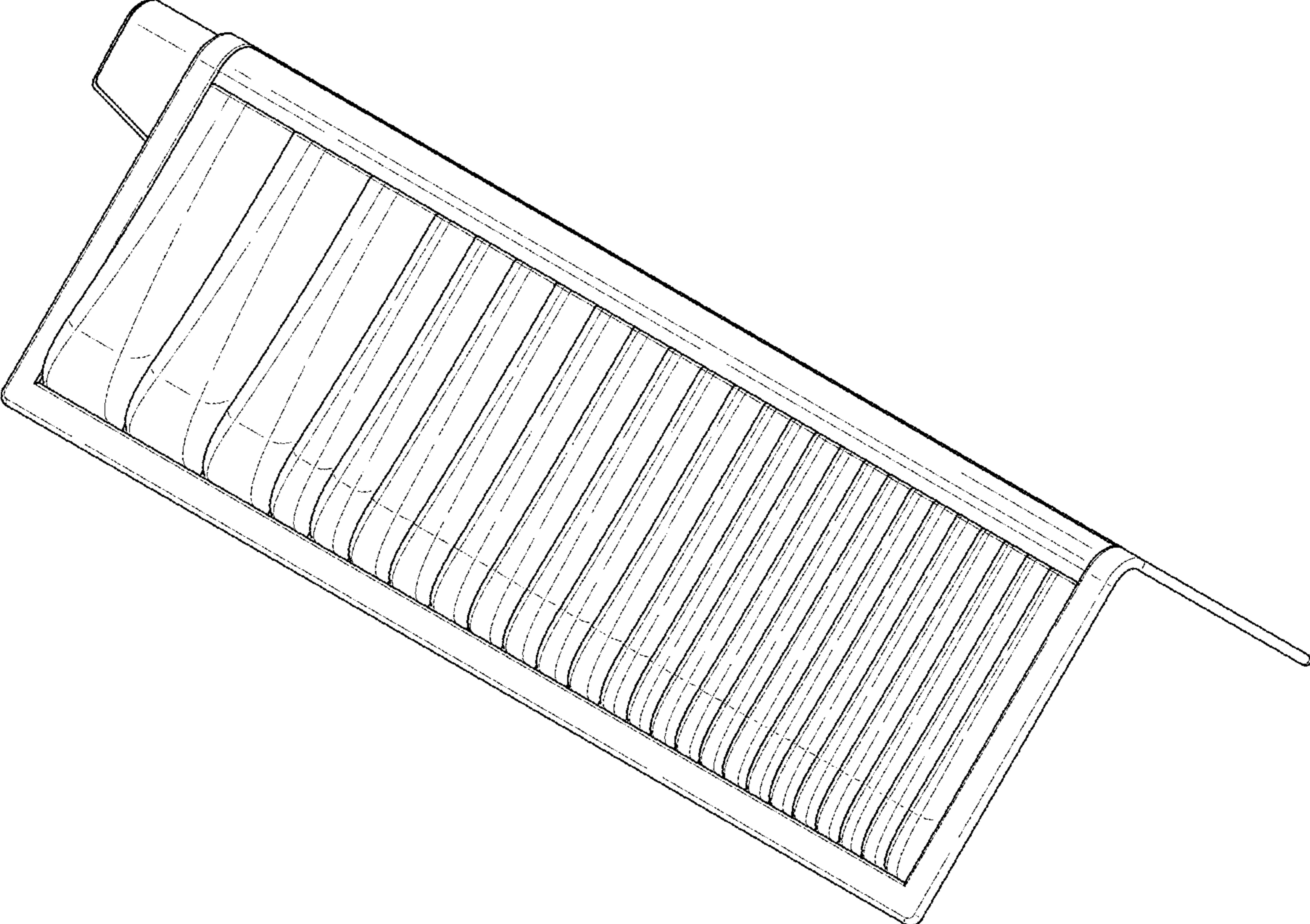


FIG. 9