



US00D881987S

(12) **United States Design Patent** (10) **Patent No.:** **US D881,987 S**
Pangburn et al. (45) **Date of Patent:** **** *Apr. 21, 2020**

- (54) **FRONT PANEL OF PRINTER**
- (71) Applicant: **Lexmark International, Inc.**,
Lexington, KY (US)
- (72) Inventors: **Thomas Eugene Pangburn**,
Winchester, KY (US); **Steven David Sieckowski**,
Brecksville, OH (US); **Zachary Gaylord Wiles**,
Lexington, KY (US); **Jeffrey Allen Hendren**,
Charlotte, NC (US)
- (73) Assignee: **Lexmark International, Inc.**,
Lexington, KY (US)
- (*) Notice: This patent is subject to a terminal disclaimer.
- (**) Term: **15 Years**
- (21) Appl. No.: **29/645,622**
- (22) Filed: **May 2, 2018**

Related U.S. Application Data

- (63) Continuation of application No. 29/547,820, filed on Dec. 8, 2015, now abandoned.
- (51) **LOC (12) Cl.** **14-02**
- (52) **U.S. Cl.**
USPC **D18/56**
- (58) **Field of Classification Search**
USPC D18/55, 50, 53, 54, 56, 59, 36, 37, 38,
D18/39, 40, 41, 45, 49; D14/301, 307,
D14/121
CPC H04N 1/00204; H04N 1/00249; H04N
1/00278; G06K 15/12; G06K 15/14; B41J
3/00; B41J 3/28; B41J 3/445; B41J 3/46
See application file for complete search history.

- (56) **References Cited**
- U.S. PATENT DOCUMENTS
- 3,740,132 A * 6/1973 Komori G03B 27/6228
399/95
- D280,205 S * 8/1985 Okuyama D18/36
- D282,933 S * 3/1986 Hara D18/36
- D289,165 S * 4/1987 Oshima D14/462
- 5,331,373 A * 7/1994 Nomura G03G 21/1864
347/138
- (Continued)

FOREIGN PATENT DOCUMENTS

- JP D1529830 * 7/2015

OTHER PUBLICATIONS

Amazon. Link: https://www.amazon.com/dp/B01B6LY87M/ref=cm_sw_em_r_mt_dp_U_5MuxDbJED3J0E. Jan. 28, 2016. Lexmark CS725de Color Laser Printer. (Year: 2016).*

(Continued)

Primary Examiner — Susan Bennett Hattan
Assistant Examiner — Lauren D McVey

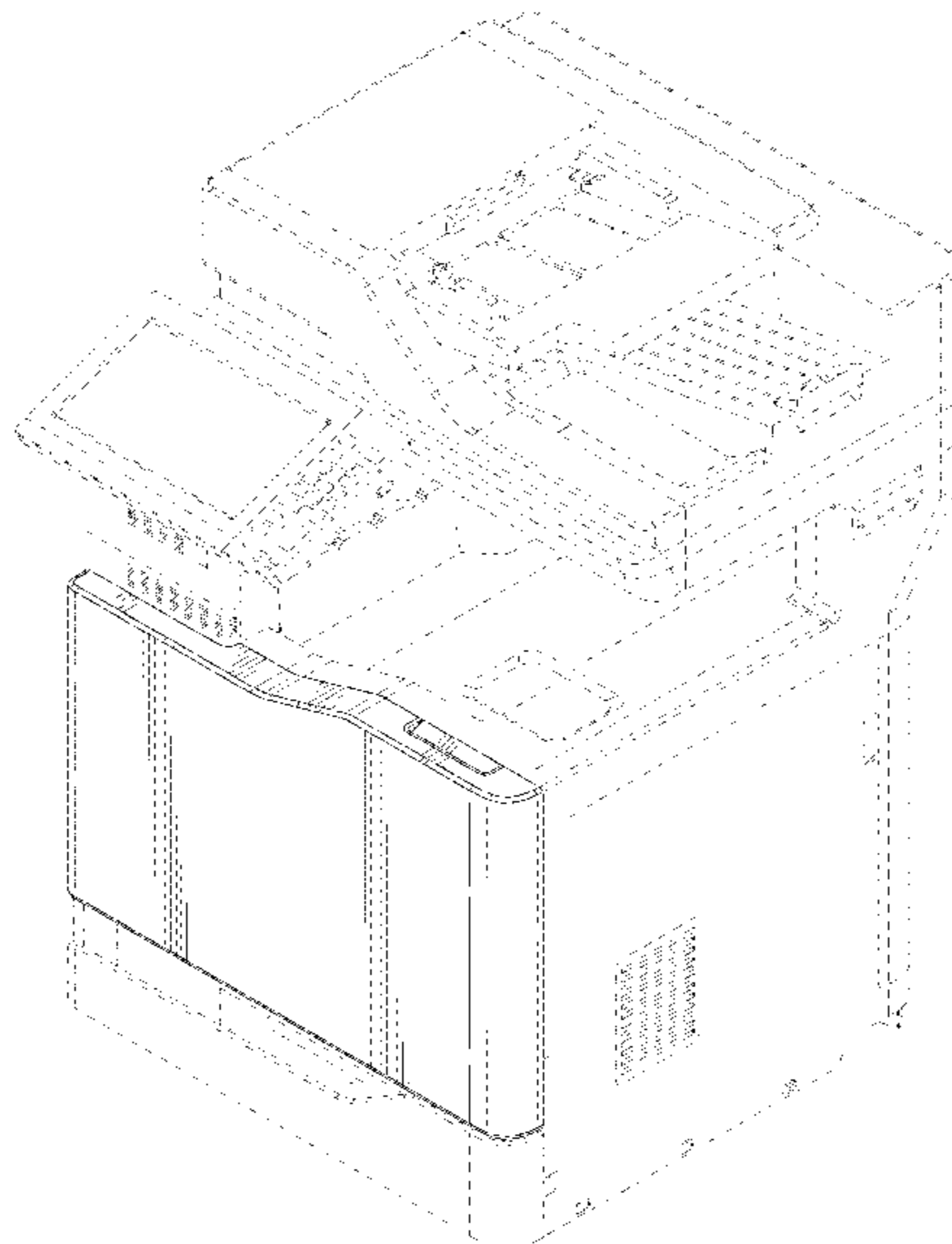
(57) **CLAIM**

The ornamental design for a front panel of printer, as shown and described.

DESCRIPTION

FIG. 1 is a top, front and right side perspective view of a front panel of printer showing our new design;
FIG. 2 is a top, rear and left side perspective thereof;
FIG. 3 is a front elevation thereof;
FIG. 4 is a right side view elevation thereof;
FIG. 5 is a rear elevation view thereof;
FIG. 6 is a left elevation view thereof; and,
FIG. 7 is a top plan view thereof.
The bottom of the printer is not shown and is not claimed. The features shown in broken lines-depict environmental subject matter only and form no part of the claimed design.

1 Claim, 7 Drawing Sheets



(56)

References Cited

U.S. PATENT DOCUMENTS

5,878,309 A * 3/1999 Nomura G03G 21/181
399/111
6,643,482 B2 * 11/2003 Higeta G03G 21/181
399/109
D619,639 S * 7/2010 Brown D18/40
D655,747 S * 3/2012 Shin D18/39
D678,941 S * 3/2013 Gilbert D18/55
D689,544 S * 9/2013 Penke D18/50
D755,284 S * 5/2016 Terenzio D18/50
D795,953 S * 8/2017 Clark, III D18/55

OTHER PUBLICATIONS

Amazon. Link: https://www.amazon.com/dp/B01BBL1JYM/ref=cm_sw_em_r_mt_dp_U_kT1IDbSCYVMRH. Jan. 25, 2016. Lexmark CX725DHE Color Laser Multifunction Printer (40C9501). (Year: 2016).*

Amazon. Link: https://www.amazon.com/dp/B01BBL1MVM/ref=cm_sw_em_r_mt_dp_U_6txDbDE7XH8S. Jan. 25, 2016. Lexmark CX825DTE Color Laser Multifunction Printer (42K0041). (Year: 2016).*

Amazon. Link: https://www.amazon.com/dp/B07JFP3DR3/ref=cm_sw_em_r_mt_dp_U_IRuxDbVNAMTVR. Oct. 9, 2018. Lexmark B2650dw Monochrome Laser Printer (36SC471). (Year: 2018).*

* cited by examiner

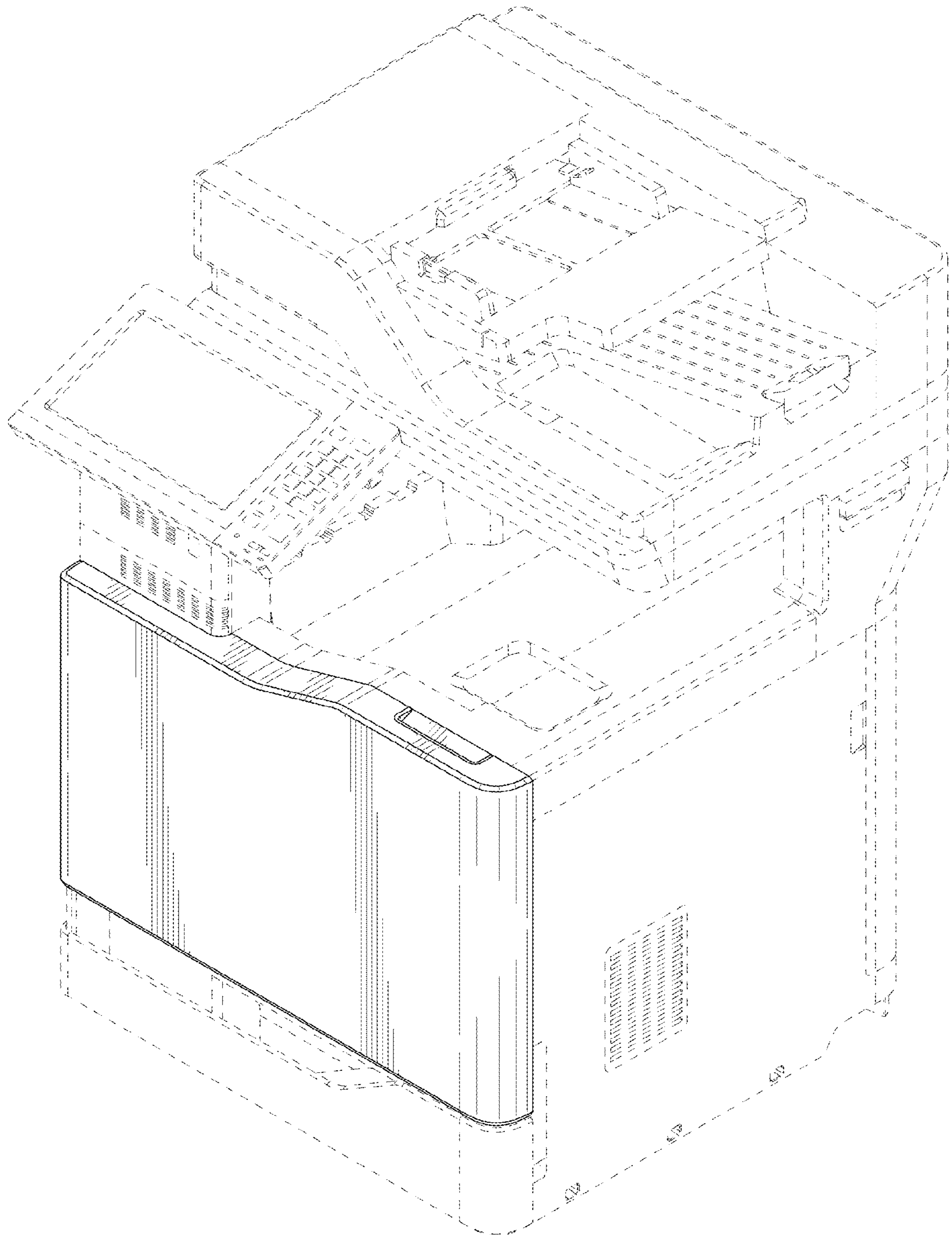


FIG. 1

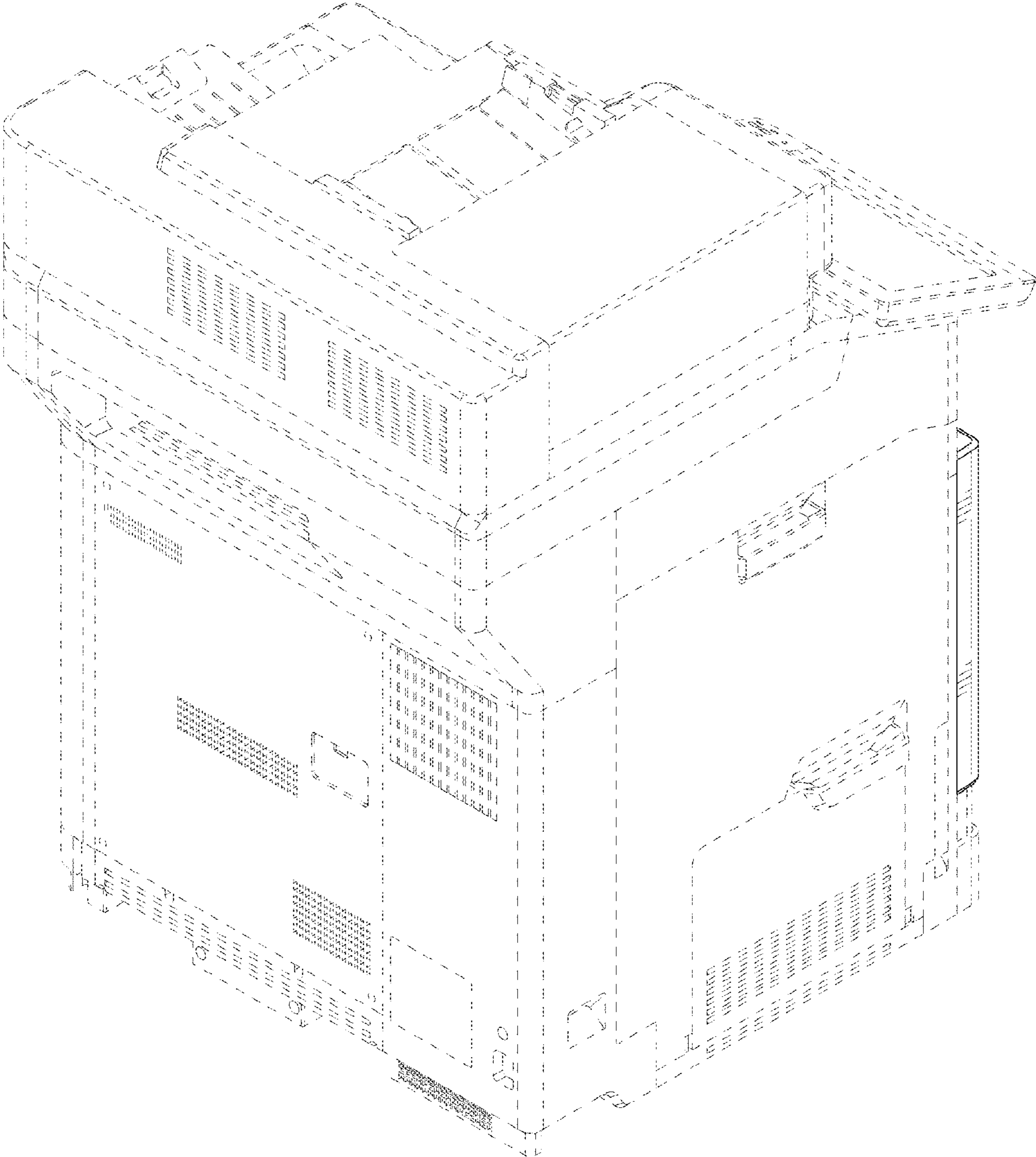


FIG. 2

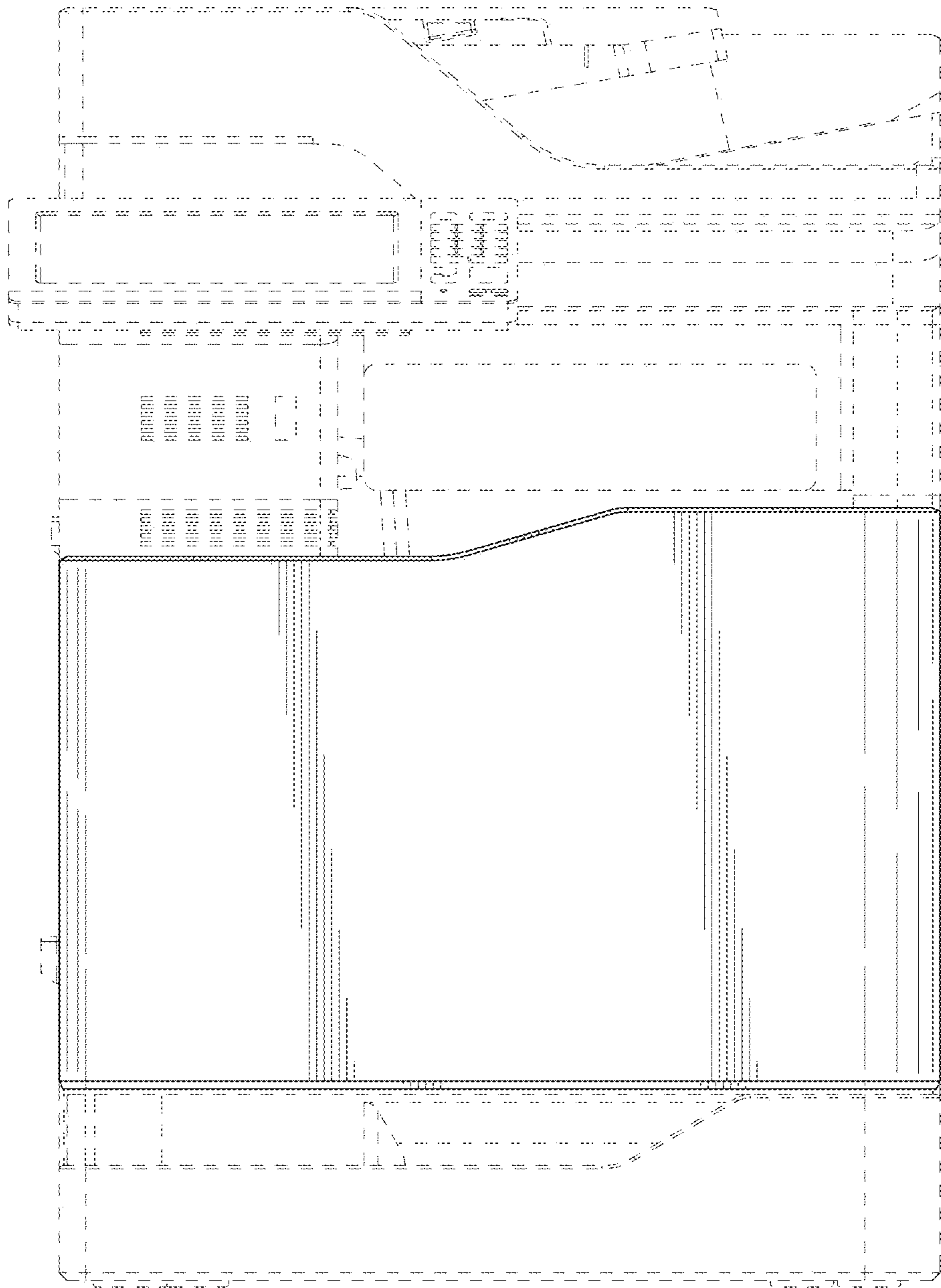


FIG. 3

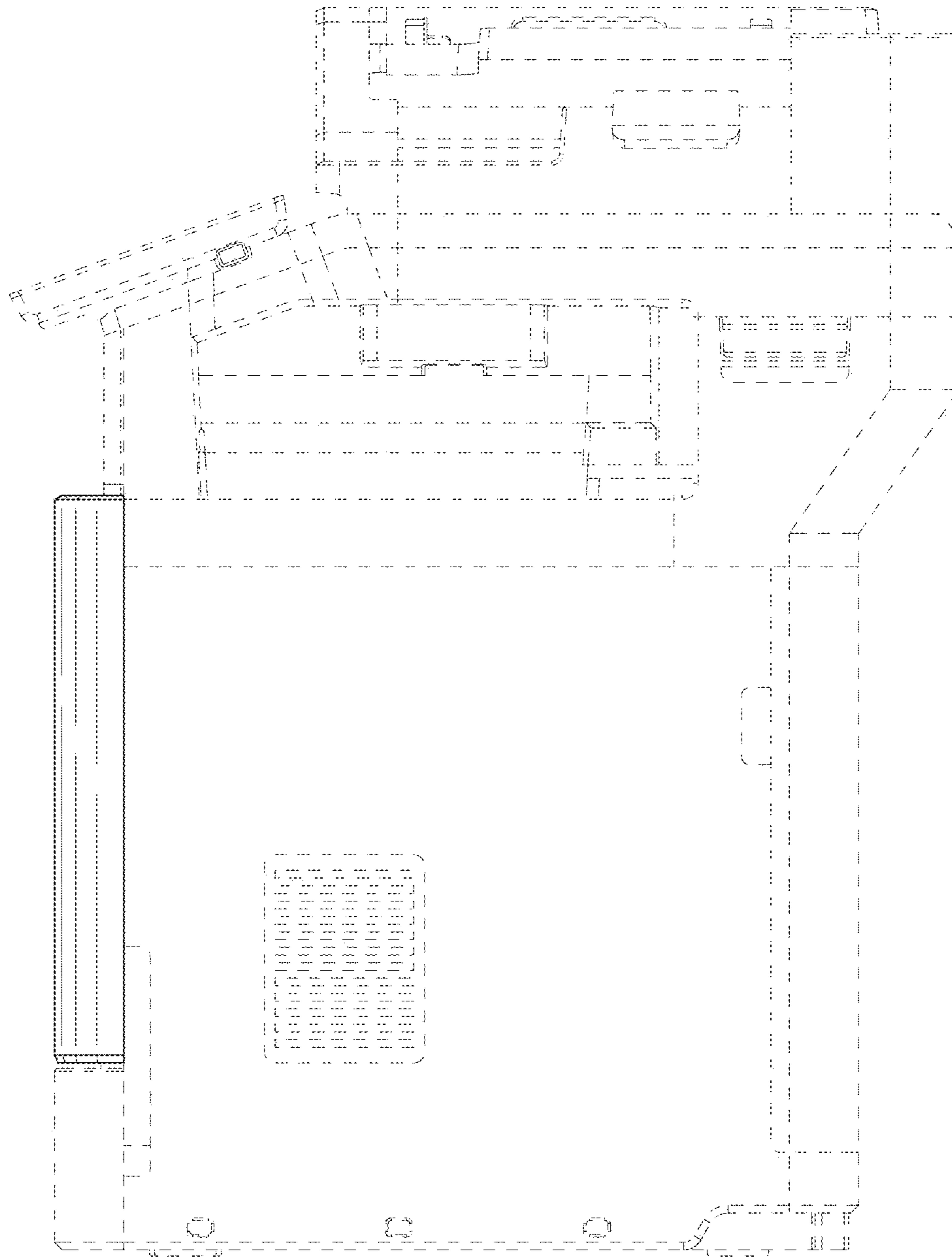


FIG. 4

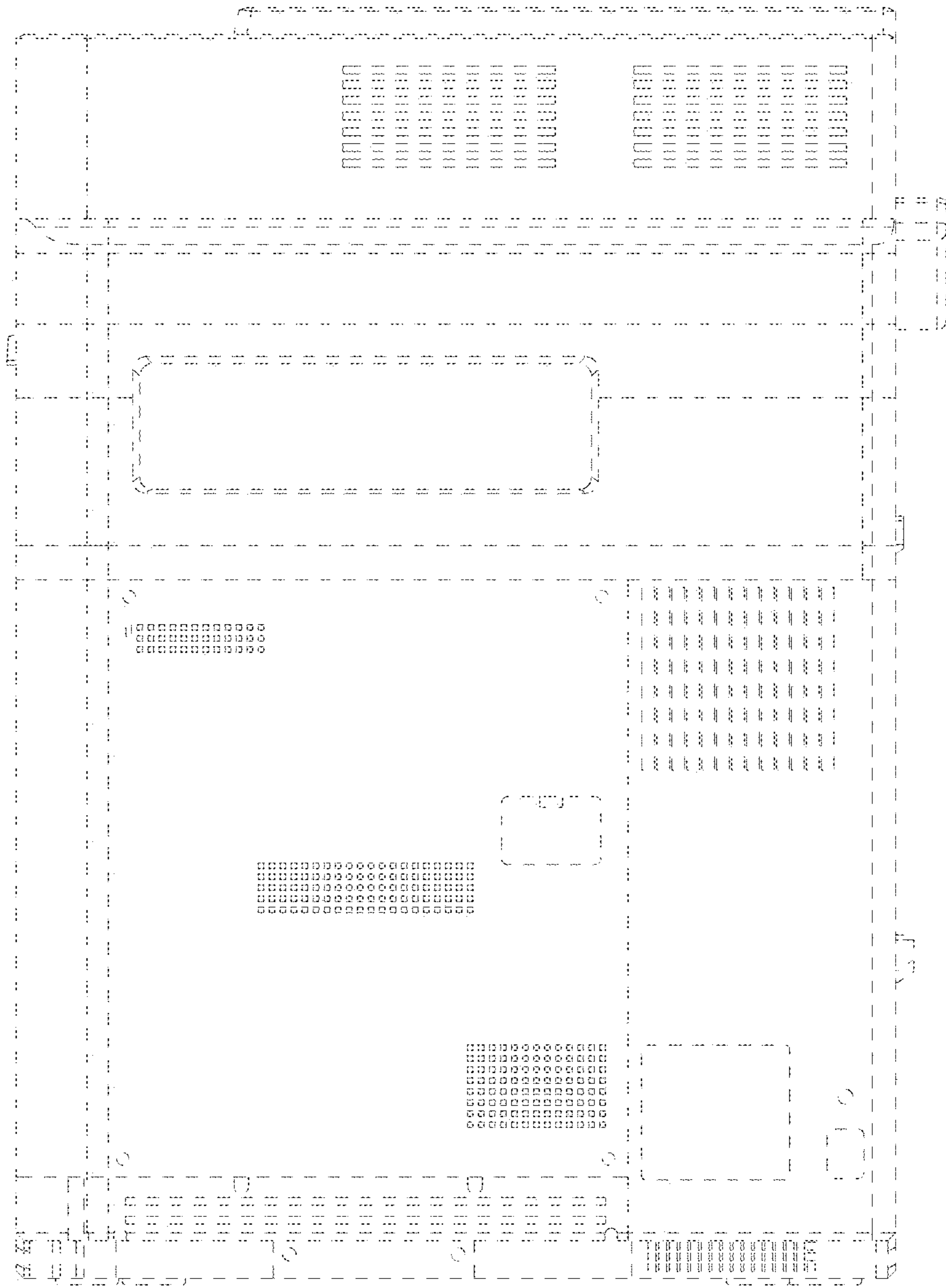


FIG. 5

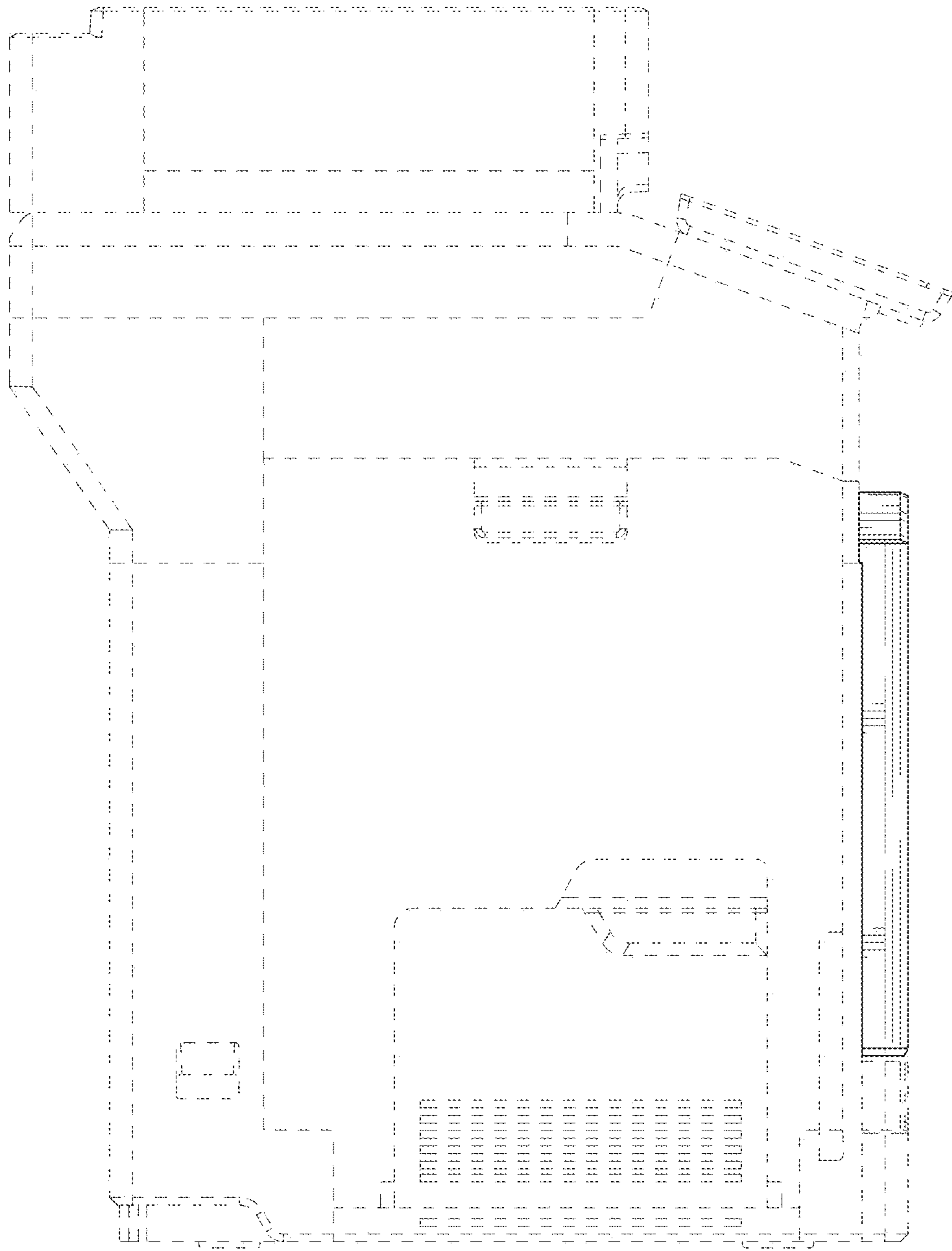


FIG. 6

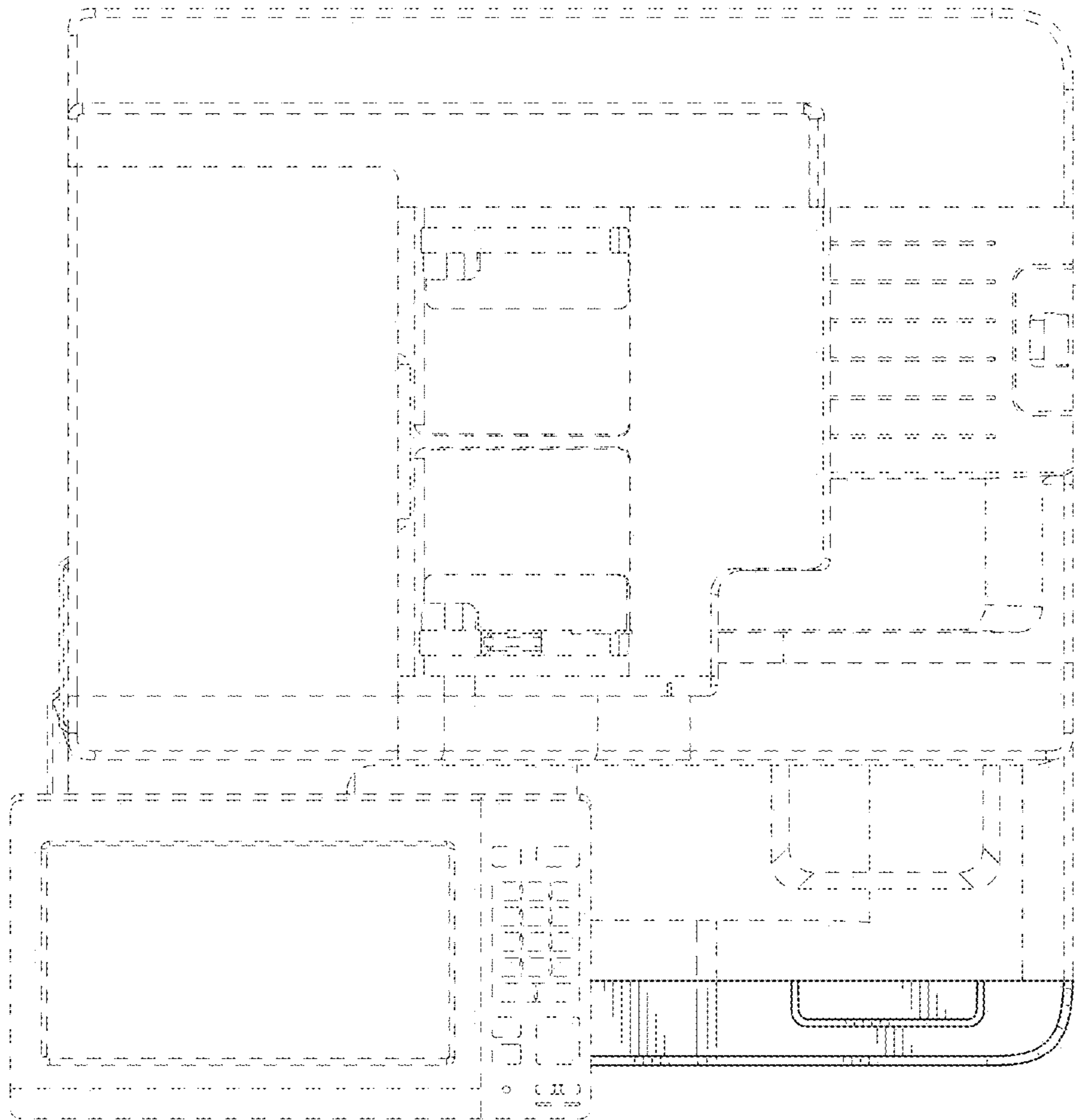


FIG. 7