



US00D881984S

(12) **United States Design Patent**
Sawada et al.

(10) **Patent No.:** **US D881,984 S**
(45) **Date of Patent:** **** Apr. 21, 2020**

(54) **PERCUSSION DETECTING DEVICE**
(71) Applicant: **Roland Corporation**, Shizuoka (JP)
(72) Inventors: **Shigeru Sawada**, Shizuoka (JP);
Ryohei Kanayama, Shizuoka (JP);
Kotaro Nomura, Shizuoka (JP)
(73) Assignee: **Roland Corporation**, Shizuoka (JP)
(**) Term: **15 Years**
(21) Appl. No.: **29/653,293**
(22) Filed: **Jun. 14, 2018**
(30) **Foreign Application Priority Data**

Jan. 4, 2018 (CN) 2018 3 0003154

(51) **LOC (12) Cl.** **17-04**
(52) **U.S. Cl.**
USPC **D17/22**

(58) **Field of Classification Search**
USPC D17/22, 24, 99; D21/405, 406
CPC G10D 13/00; G10D 13/003; G10D 13/02;
G10D 13/06; G10D 17/00; G10G 7/00;
G10H 3/146; G10H 3/24
See application file for complete search history.

(56) **References Cited**

U.S. PATENT DOCUMENTS

D242,383 S * 11/1976 Clark, Jr. D17/22
5,036,742 A 8/1991 Youakim
5,345,037 A 9/1994 Nordelius
6,794,569 B2 9/2004 Kamijima et al.
D497,935 S 11/2004 Kamijima et al.
7,214,871 B2 5/2007 Hasenmaier
D581,971 S 12/2008 Nakao et al.
D674,002 S * 1/2013 Ginter D17/22
9,536,509 B2 1/2017 Esparza
D832,335 S * 10/2018 Suzuki D17/22

D832,336 S * 10/2018 Suzuki D17/22
D865,047 S * 10/2019 Suzuki D17/22
10,529,313 B2 * 1/2020 Fifelski G10H 1/14
2008/0053292 A1 * 3/2008 Fournier G10D 13/006
84/422.1
2014/0013930 A1 * 1/2014 Dahl G10H 3/143
84/730
2019/0221199 A1 * 7/2019 Nomura G10H 3/143

FOREIGN PATENT DOCUMENTS

DE 29506034 7/1995
DE 202018003491 U1 * 9/2018 G10G 7/00
EP 002613745 1/2015
EP 003514751-0001 12/2016
EP 003514751-0002 12/2016
JP 6283085 B1 * 2/2018 G10H 1/0553

* cited by examiner

Primary Examiner — R. Johnson

(74) *Attorney, Agent, or Firm* — JCIPRNET

(57) **CLAIM**

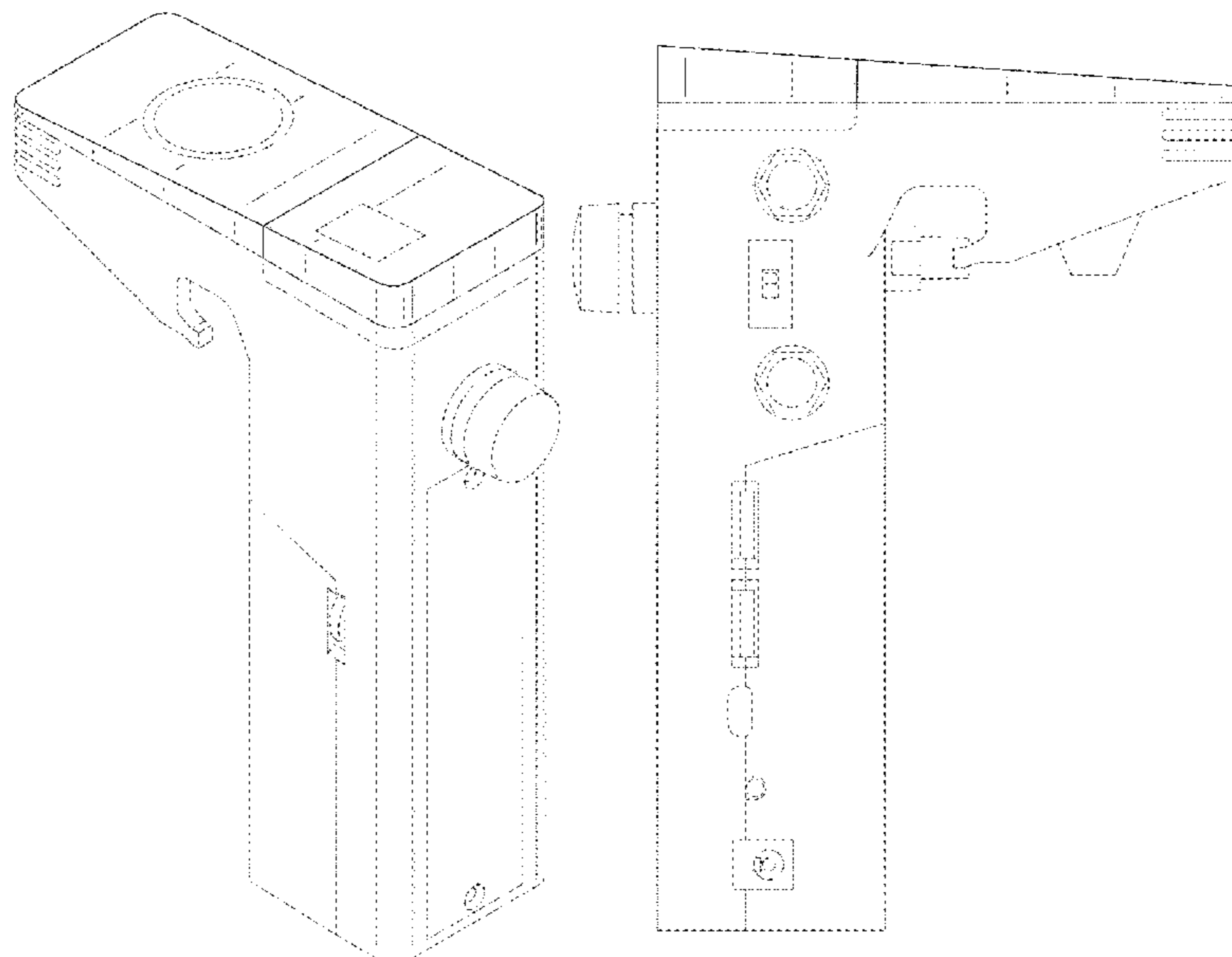
The ornamental design for a percussion detecting device, as shown and described.

DESCRIPTION

FIG. 1 is a perspective view of a percussion detecting device showing our new design;
FIG. 2 is a front view thereof;
FIG. 3 is a rear view thereof;
FIG. 4 is a left side view thereof;
FIG. 5 is a right side view thereof;
FIG. 6 is a top view thereof; and,
FIG. 7 is a bottom view thereof.

The dashed broken lines illustrate portions of the percussion detecting device and form no part of the claimed design. The dot-dash broken lines define the bounds of the claimed design and form no part thereof.

1 Claim, 7 Drawing Sheets



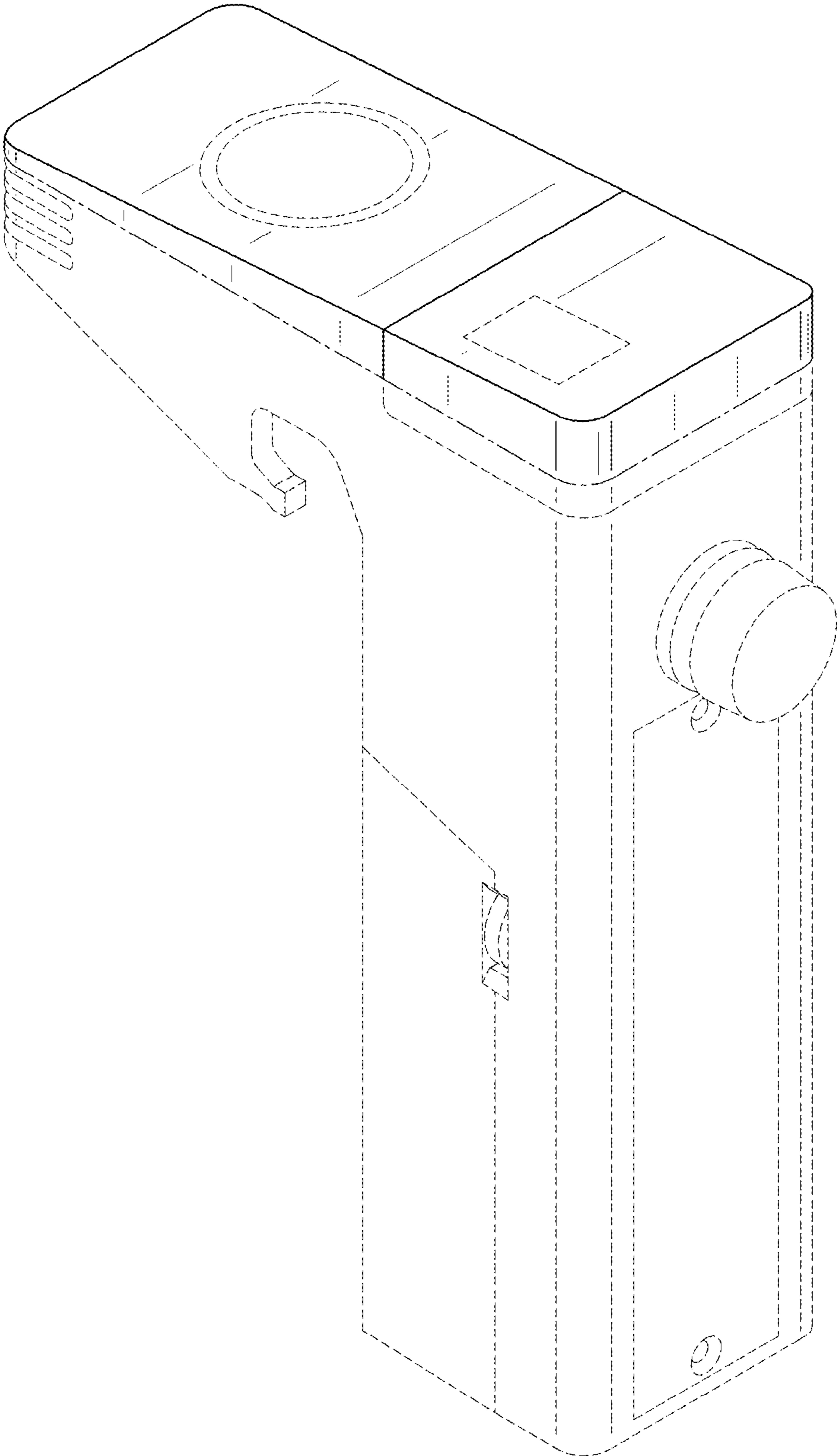


FIG. 1

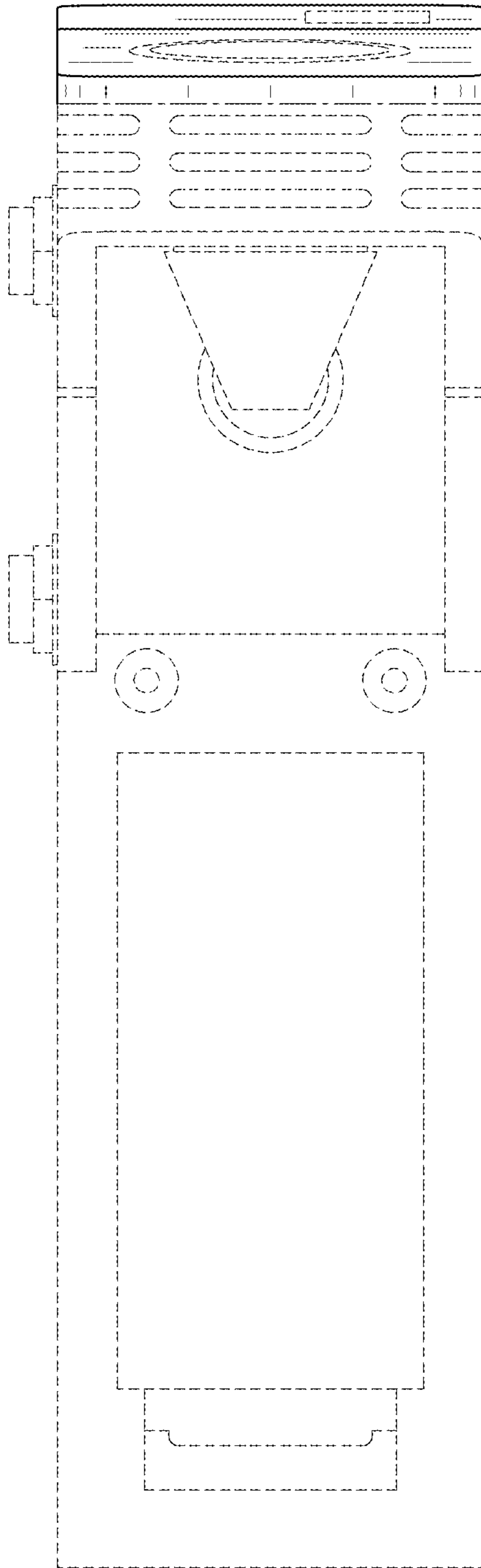


FIG. 2

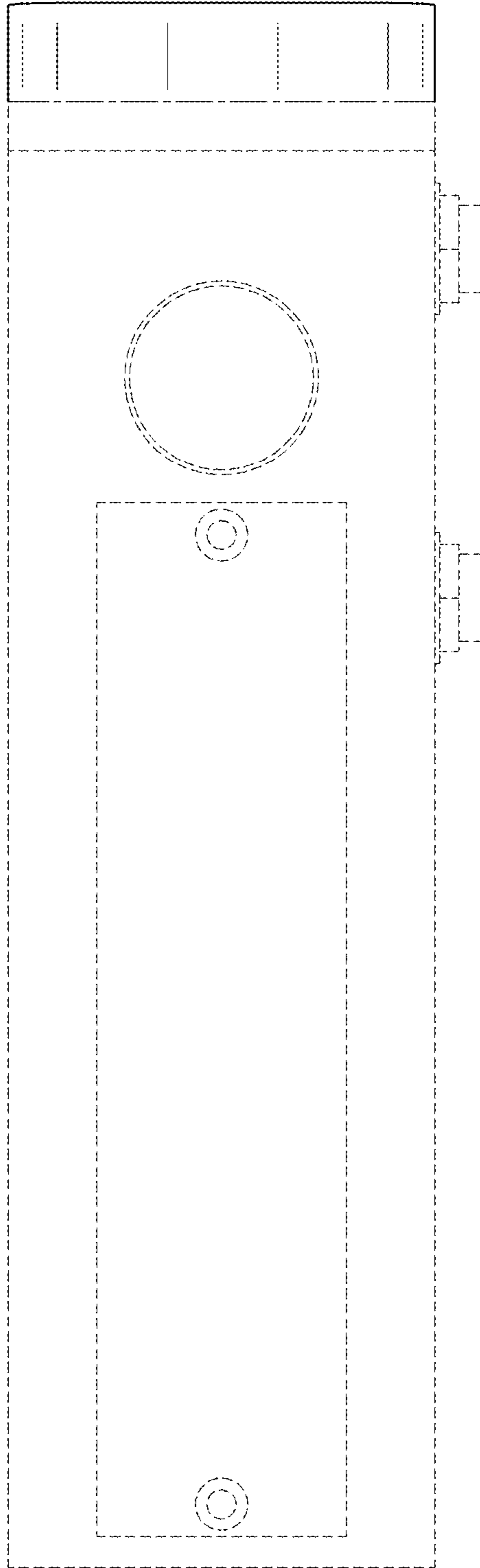


FIG. 3

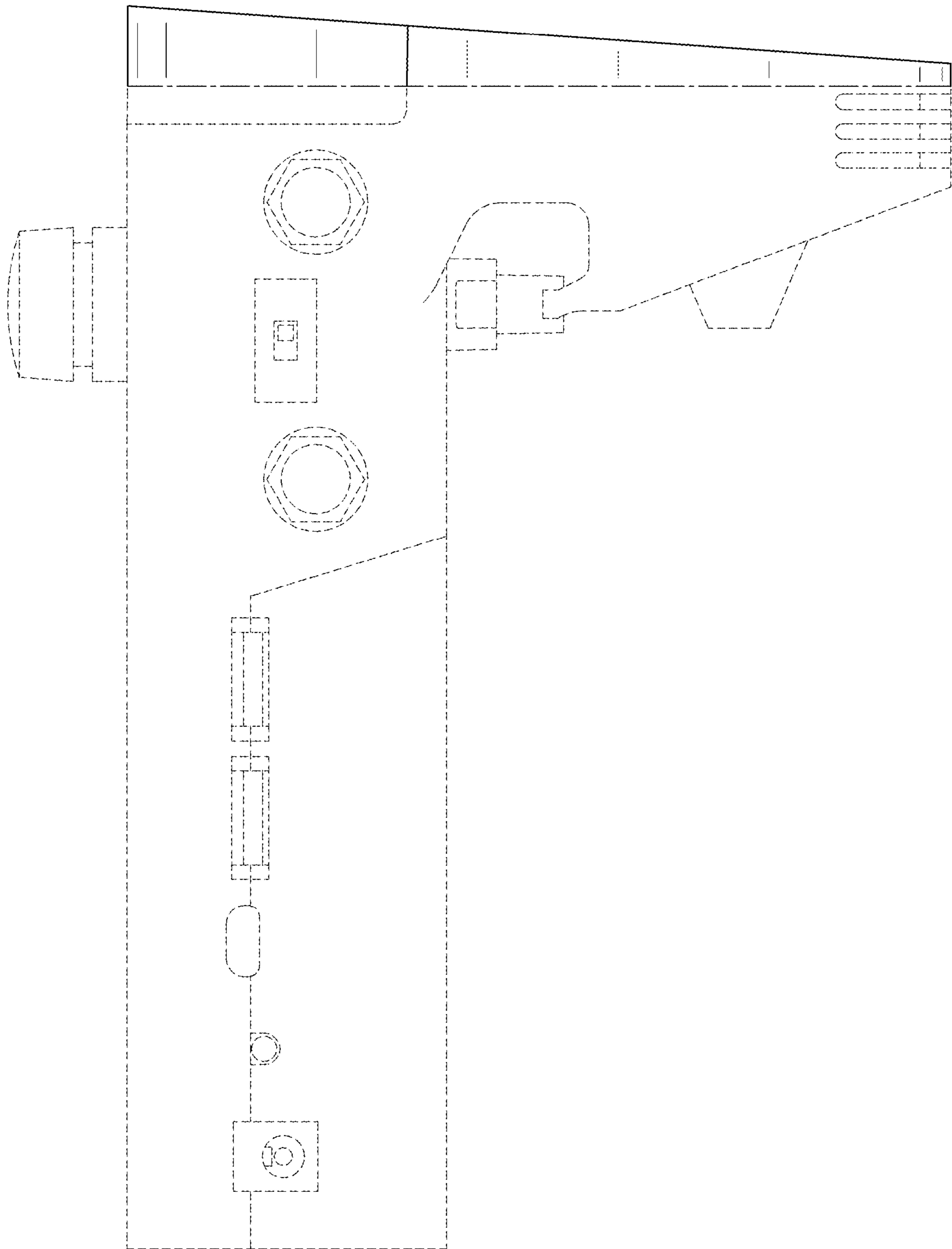


FIG. 4

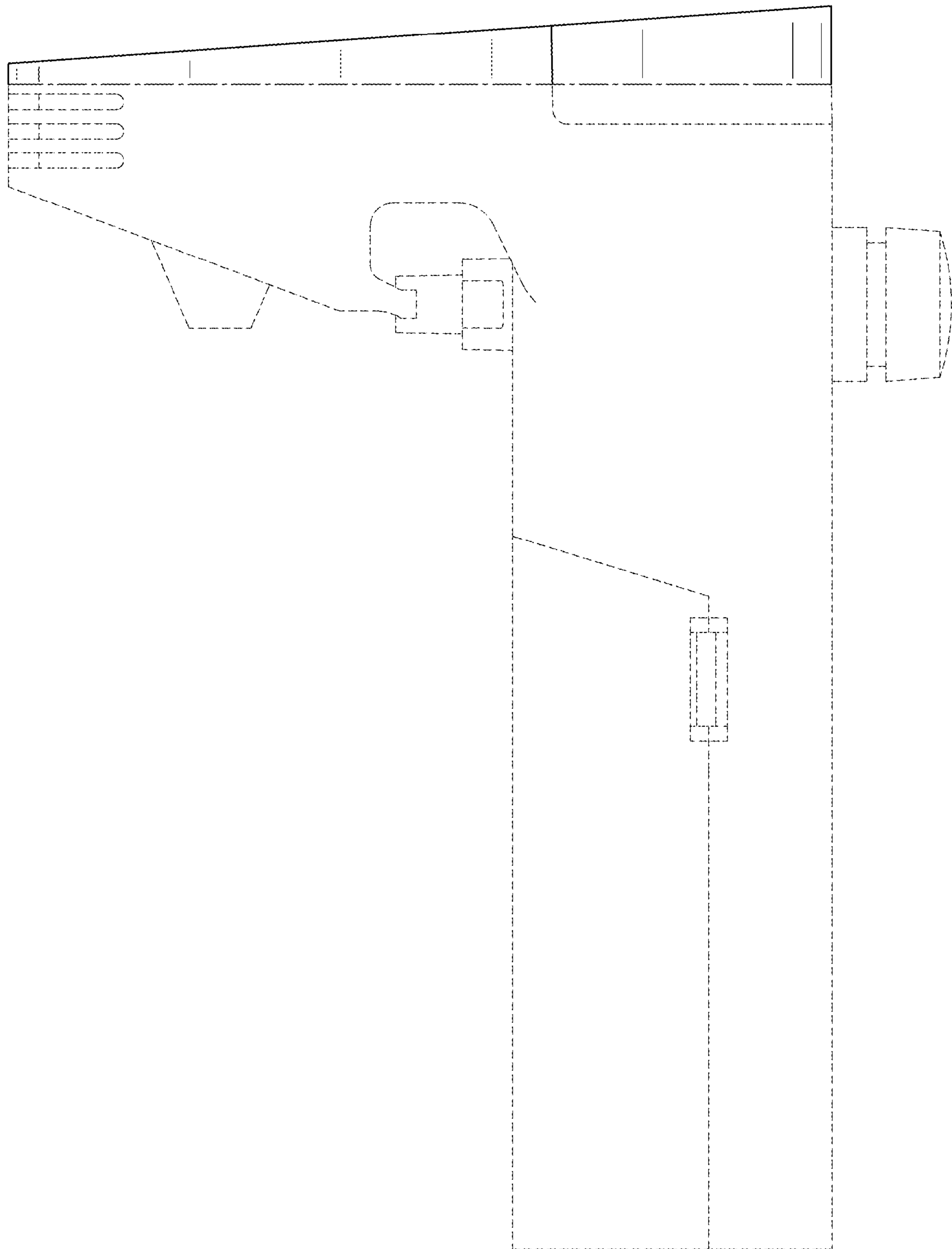


FIG. 5

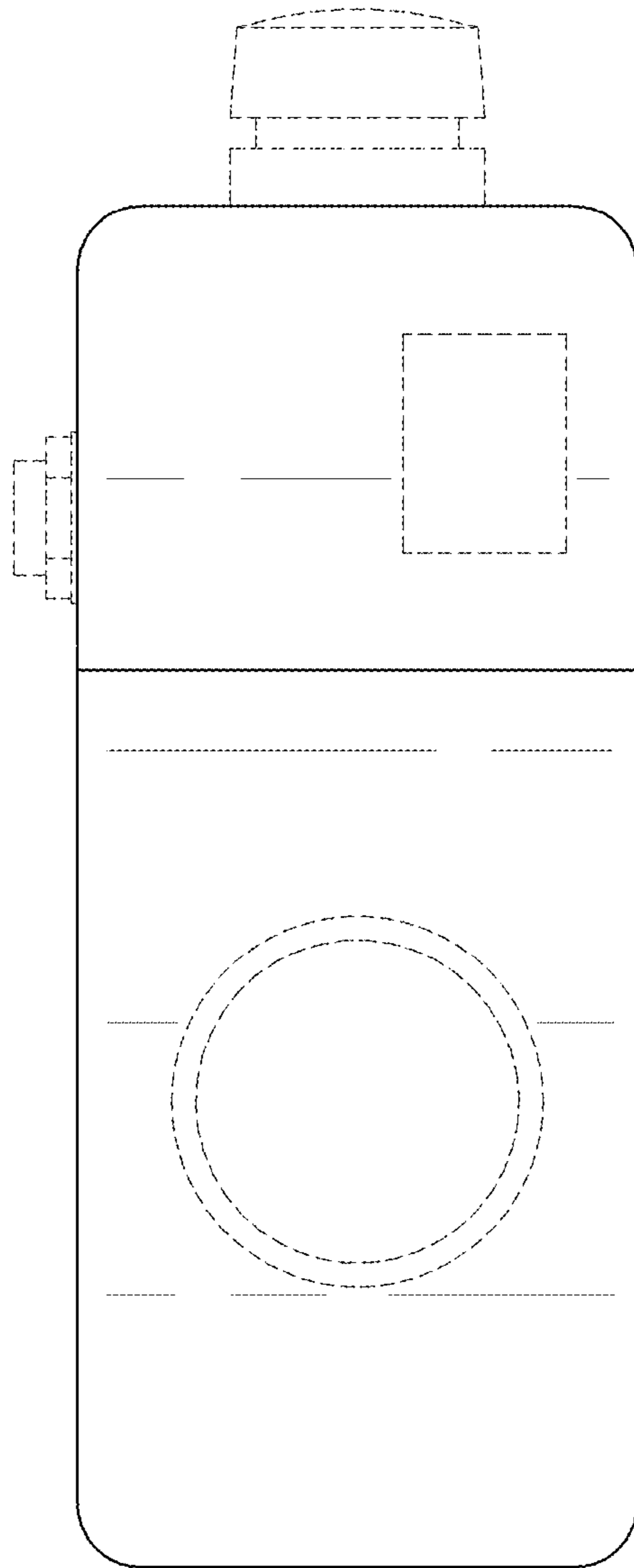


FIG. 6

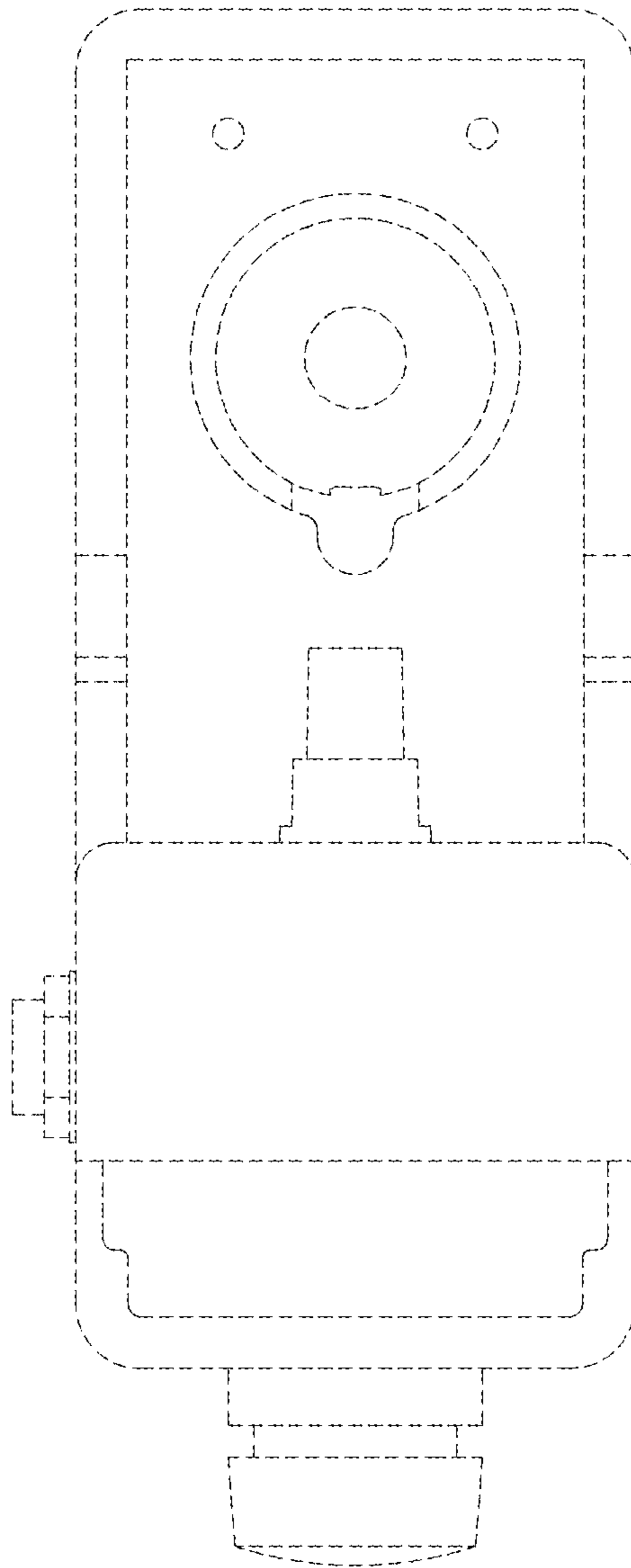


FIG. 7