



US00D881982S

(12) **United States Design Patent**
Zhang

(10) **Patent No.:** **US D881,982 S**
(45) **Date of Patent:** **** Apr. 21, 2020**

(54) **GUITAR EFFECTOR**

(71) Applicant: **Weiman Zhang**, Guangdong (CN)

(72) Inventor: **Weiman Zhang**, Guangdong (CN)

(73) Assignee: **Shenzhen Skylark Audio Industry Co. Ltd**, Shenzhen, Guangdong (CN)

(**) Term: **15 Years**

(21) Appl. No.: **29/675,890**

(22) Filed: **Jan. 7, 2019**

(51) **LOC (12) Cl.** **17-03**

(52) **U.S. Cl.**
USPC **D17/20**

(58) **Field of Classification Search**
USPC D17/14, 18, 19, 20, 21, 99; D21/405
CPC .. G10D 1/08; G10D 1/10; G10D 3/00; G10D
3/04; G10D 3/16; G10D 3/163; G10D
3/18; G10G 5/005; G10H 1/348; G09B
15/00

See application file for complete search history.

(56) **References Cited**

U.S. PATENT DOCUMENTS

D161,075 S * 12/1950 Alkire D17/19
D286,400 S * 10/1986 Moller D14/143
D299,834 S * 2/1989 Clark D17/14
D386,373 S * 11/1997 Weinmuller D17/20
D401,963 S * 12/1998 Schneider D17/99
5,981,862 A * 11/1999 Geier, Jr. G10H 1/348
84/721
D510,946 S * 10/2005 Kitazawa D17/14

D524,788 S * 7/2006 Beard D14/138 R
D526,988 S * 8/2006 Beard D14/138 R
D586,646 S * 2/2009 Rand D8/348
D790,634 S * 6/2017 Fisch D17/1

FOREIGN PATENT DOCUMENTS

WO WO-2015141938 A1 * 9/2015 G10H 1/348

OTHER PUBLICATIONS

Chinavasion. <https://www.chinavasion.com/china/wholesale/electronics/instruments/instrument-acce/k380e-electric-guitar-effector-wireless-pel-0awuflok>. "K380E Electric Guitar Effector". Oct. 2019 (Year: 2019).*

* cited by examiner

Primary Examiner — R. Johnson

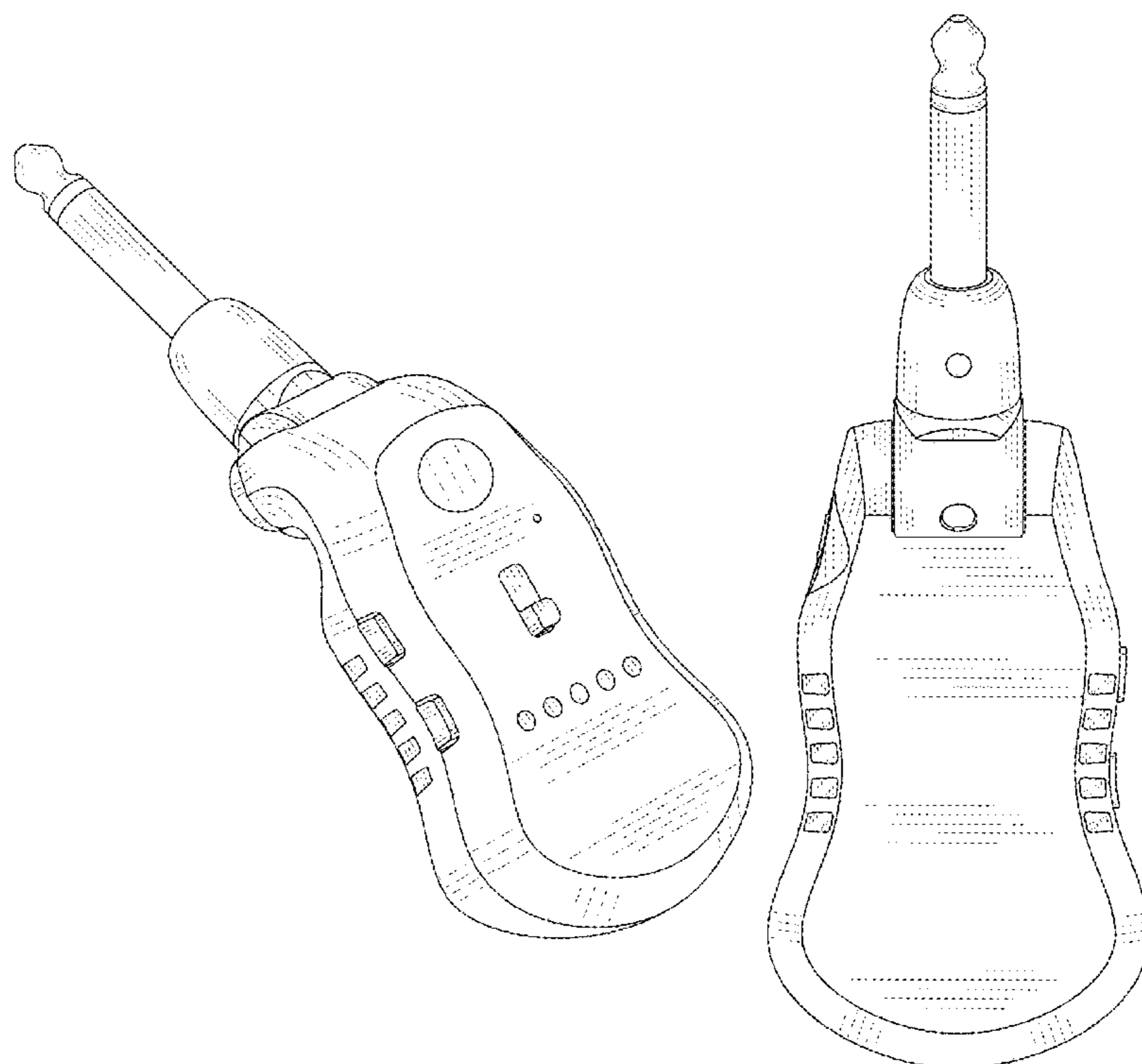
(57) **CLAIM**

The ornamental design for a guitar effector, as shown and described.

DESCRIPTION

FIG. 1 is a perspective view of a guitar effector showing my new design;
FIG. 2 is a front elevation view thereof;
FIG. 3 is a rear elevation view thereof;
FIG. 4 is a left side elevation view thereof;
FIG. 5 is a right side elevation view thereof;
FIG. 6 is a top plan view thereof;
FIG. 7 is a bottom plan view thereof; and,
FIG. 8 is a perspective view thereof, illustrated in a folded position.

1 Claim, 8 Drawing Sheets



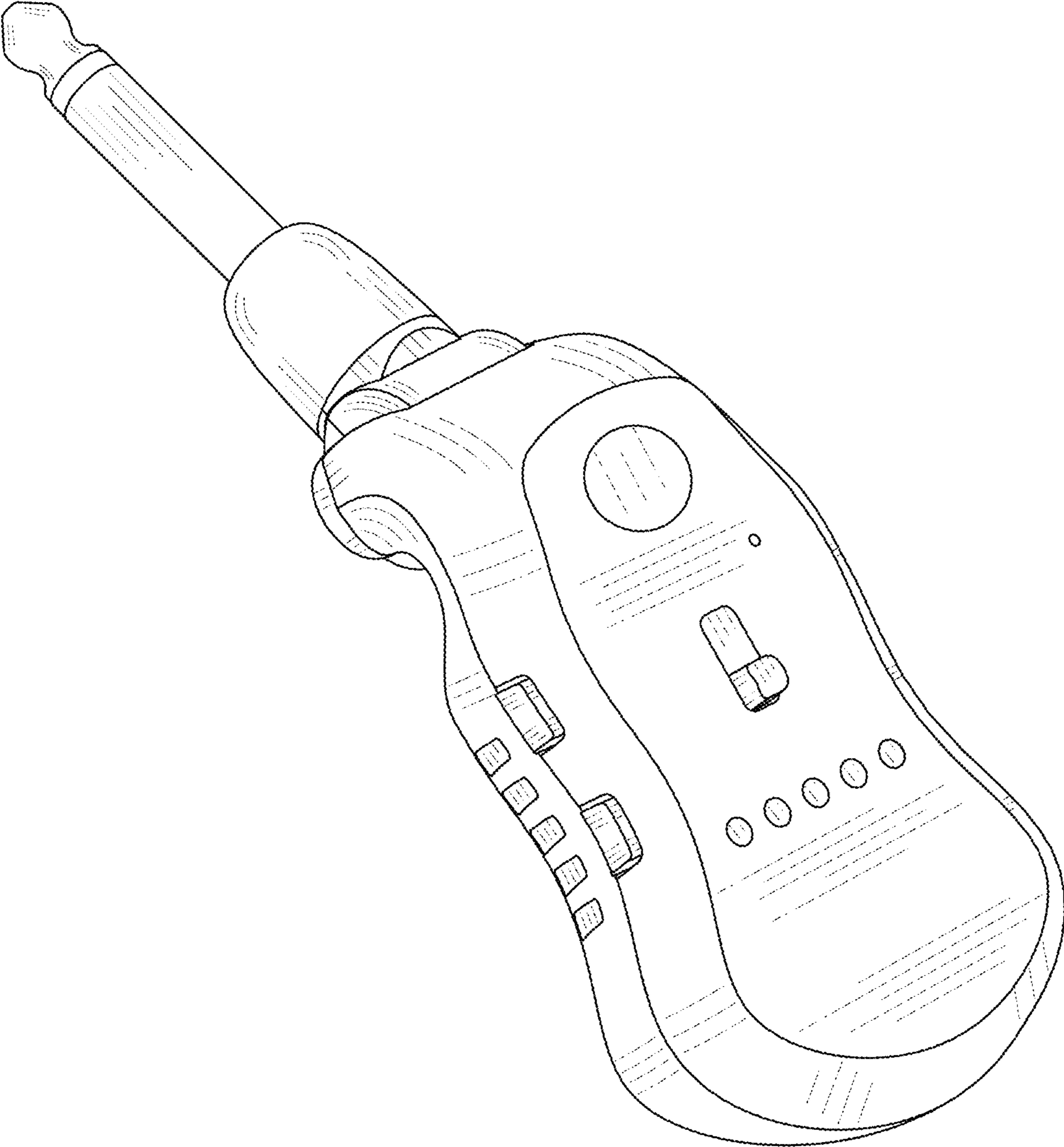


FIG.1

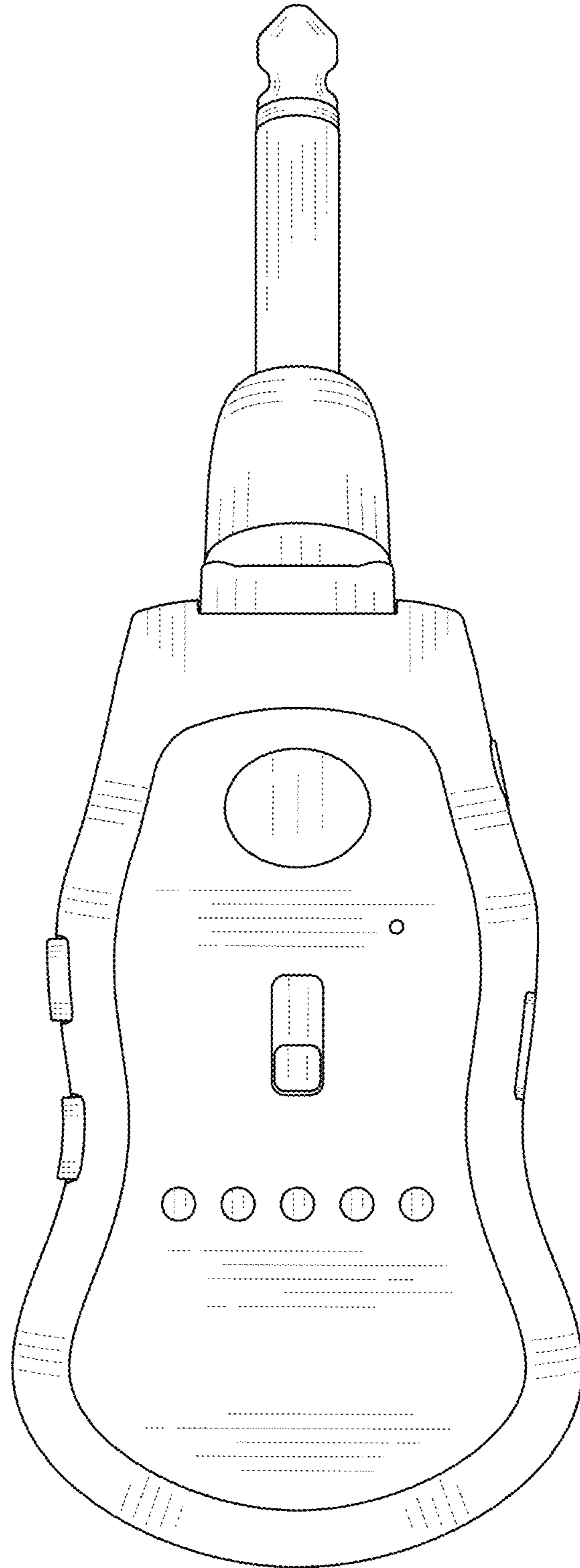


FIG.2

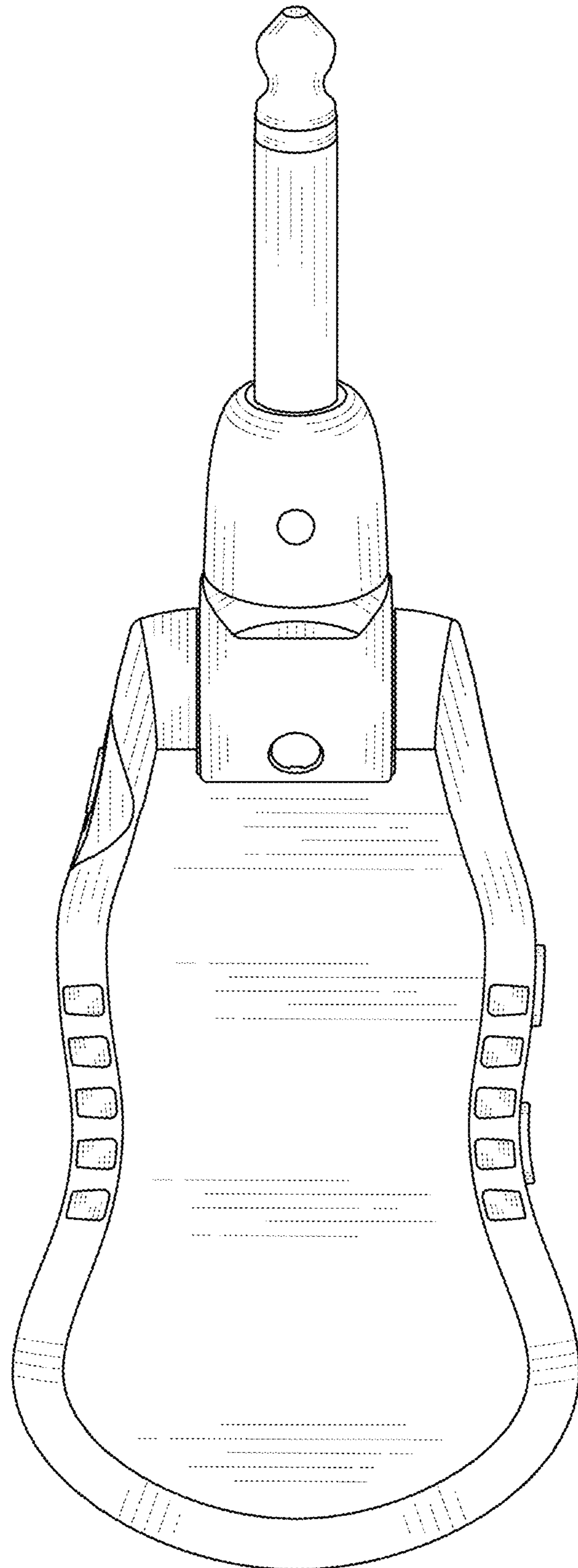


FIG. 3

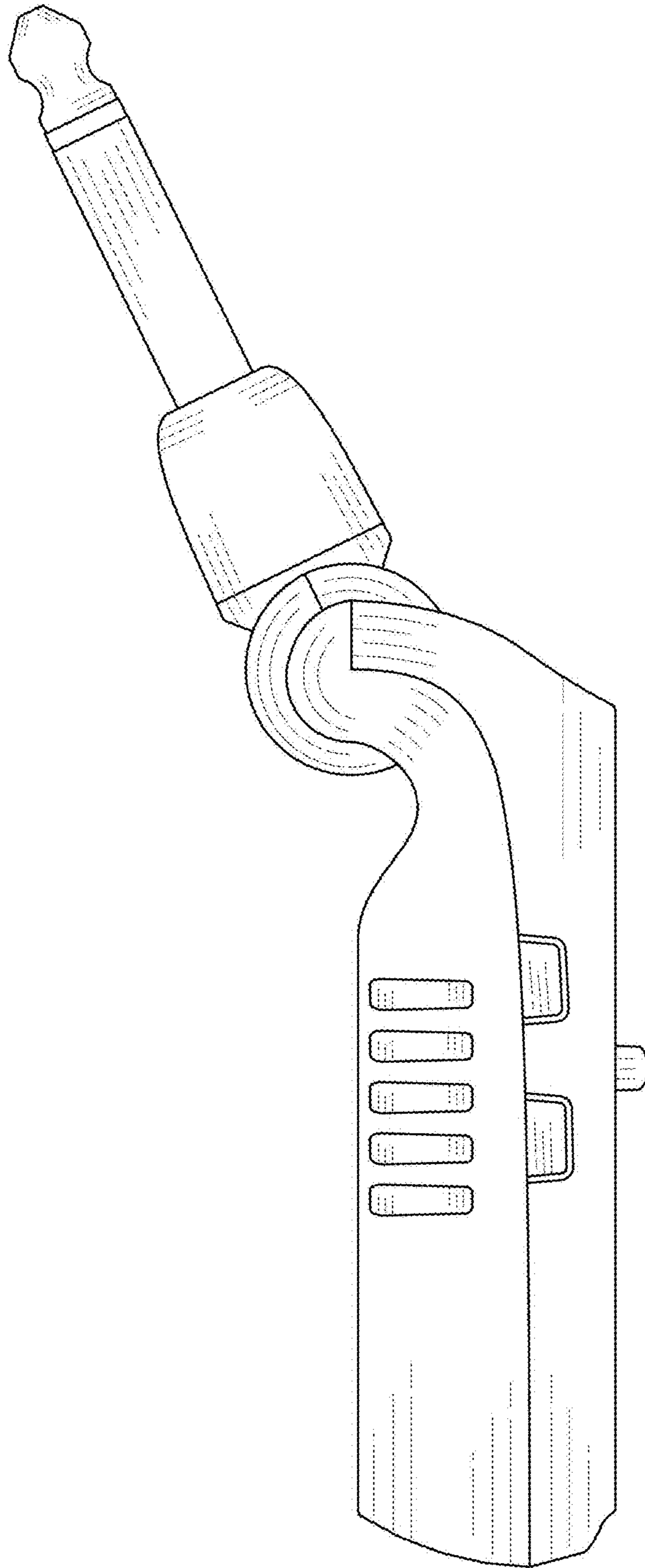


FIG.4

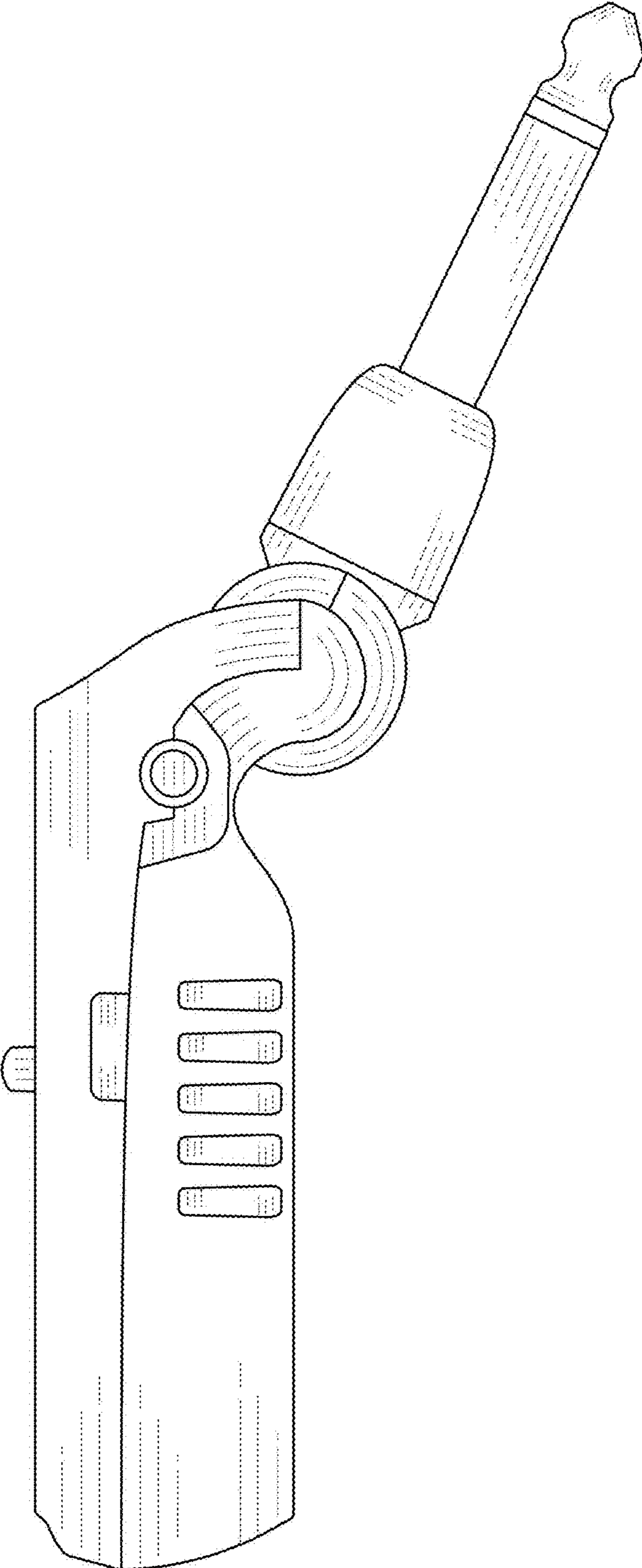


FIG.5

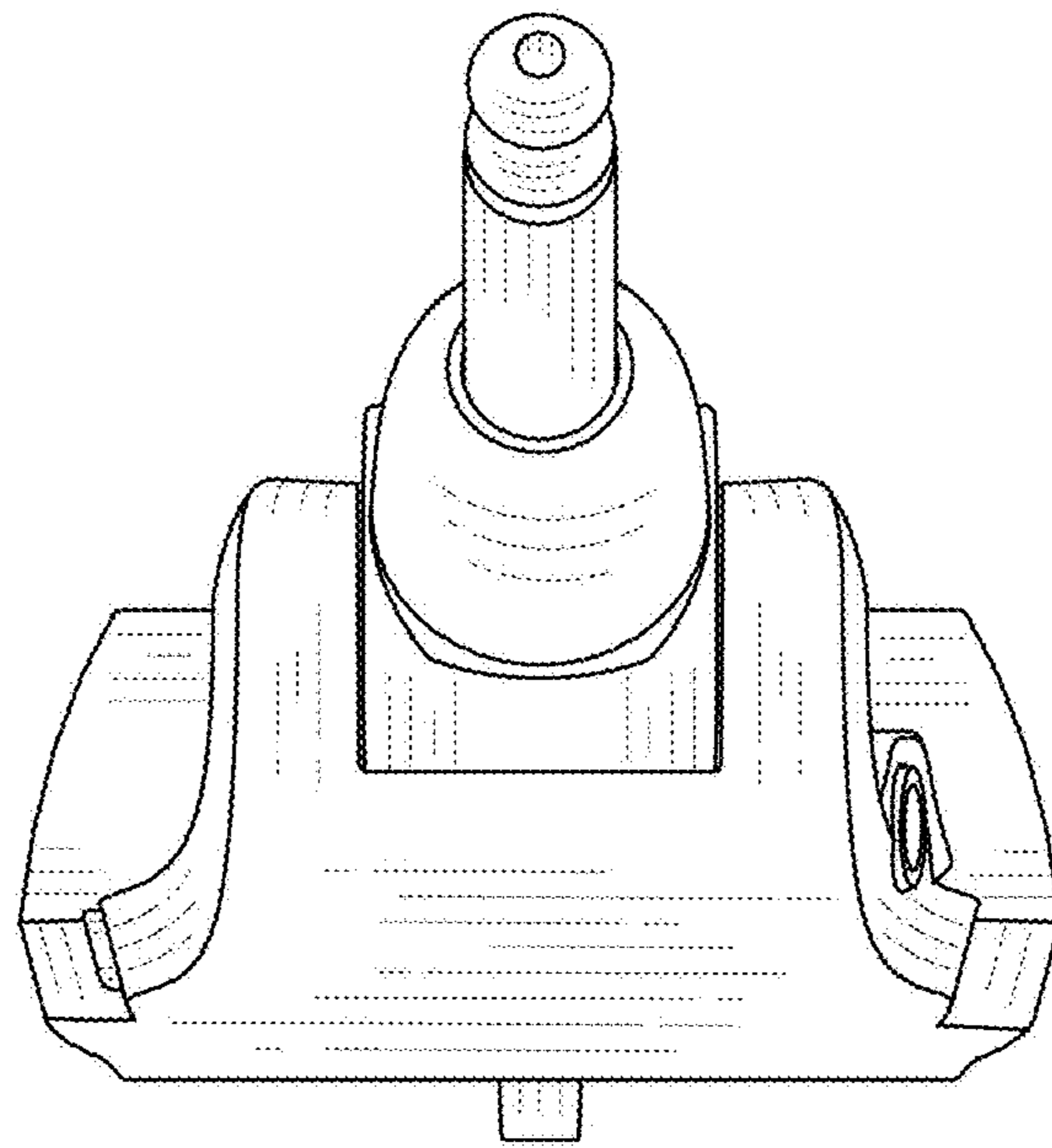


FIG.6

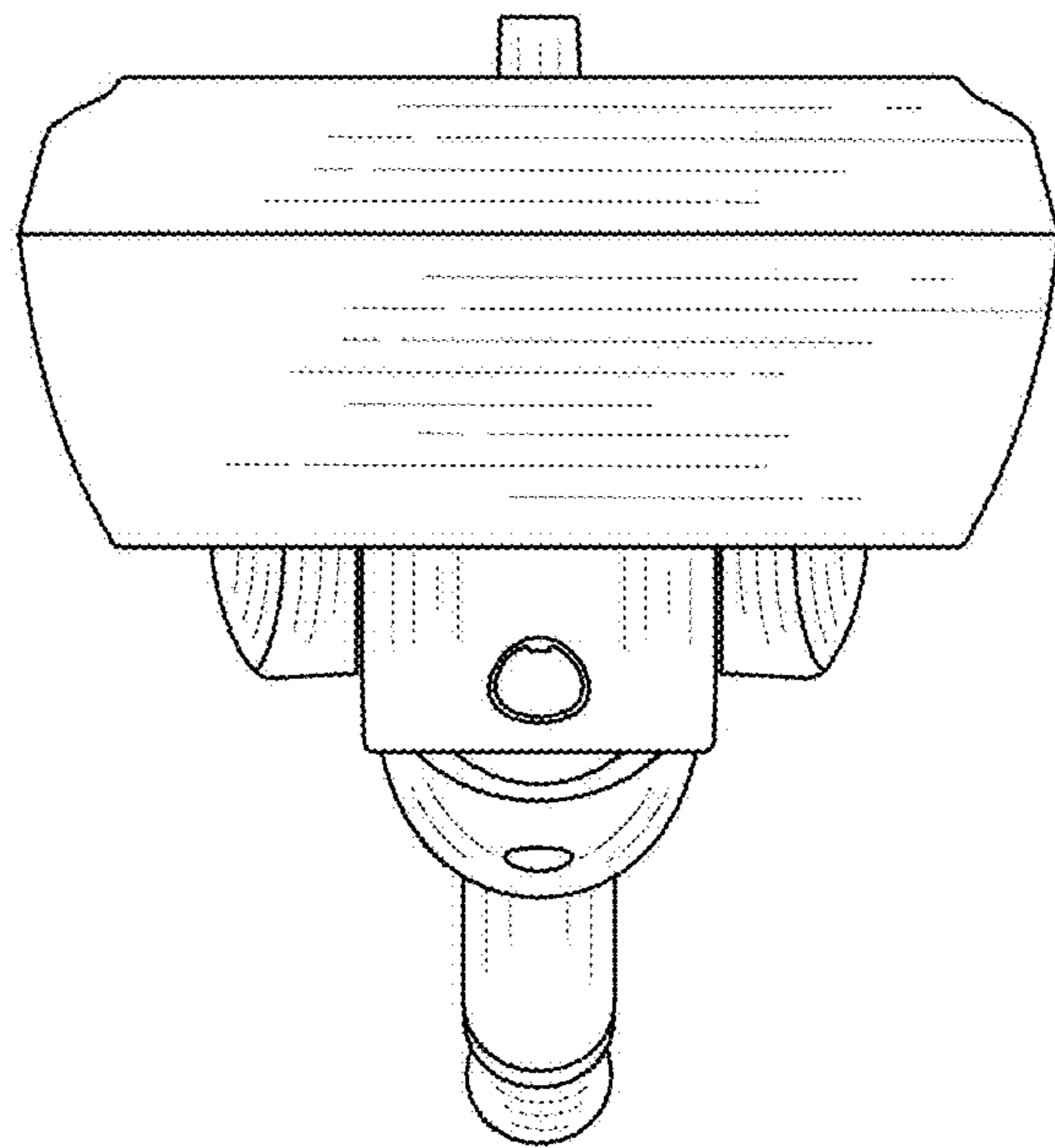


FIG. 7

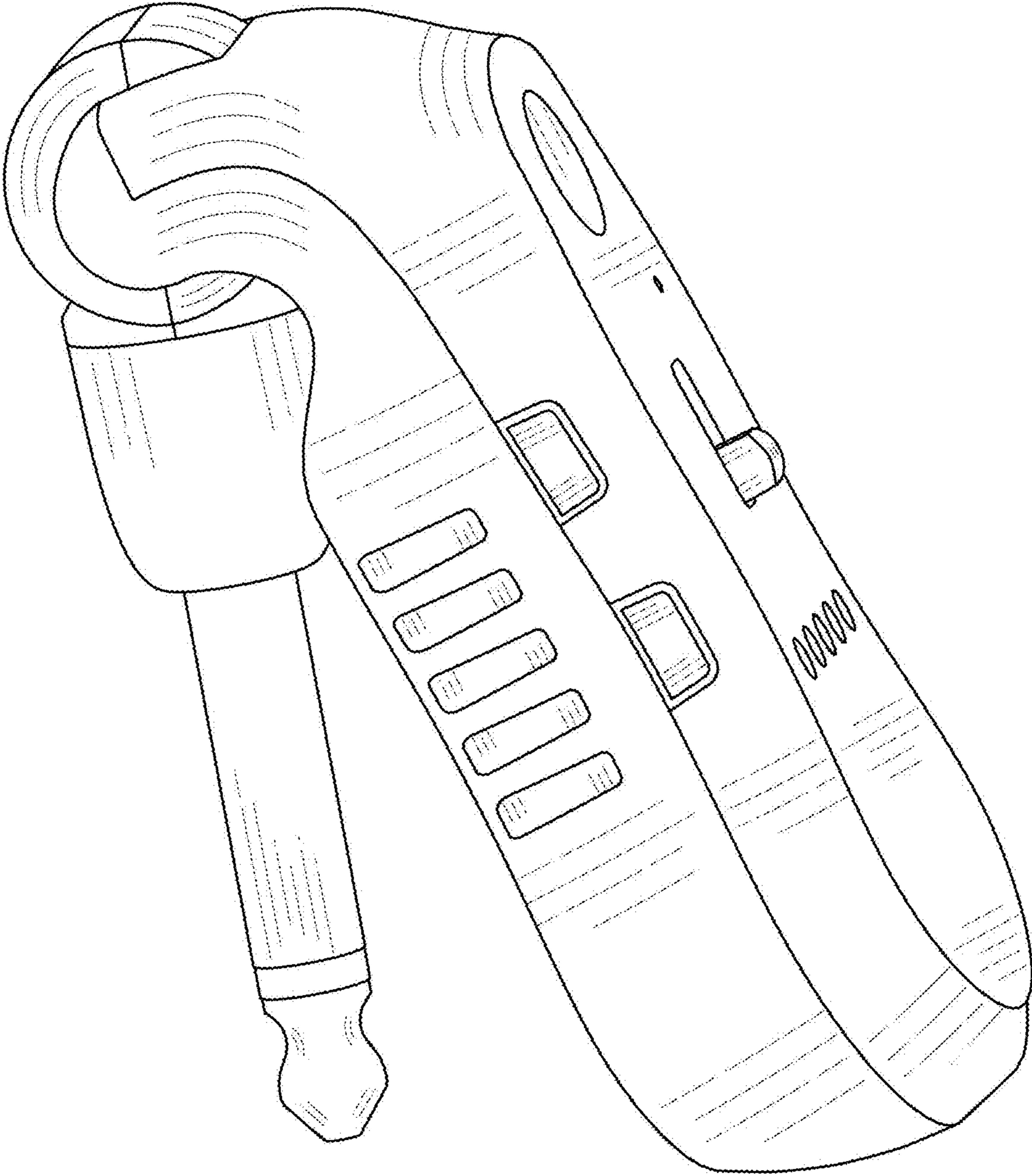


FIG. 8