



US00D881981S

(12) **United States Design Patent** (10) **Patent No.:** **US D881,981 S**  
**Li** (45) **Date of Patent:** **\*\* Apr. 21, 2020**

(54) **TRIPOD**

(71) Applicant: **Jian-Lin Li**, Shenzhen (CN)

(72) Inventor: **Jian-Lin Li**, Shenzhen (CN)

(\*\*) Term: **15 Years**

(21) Appl. No.: **29/673,252**

(22) Filed: **Dec. 13, 2018**

(51) **LOC (12) Cl.** ..... **16-05**

(52) **U.S. Cl.**  
USPC ..... **D16/244**

(58) **Field of Classification Search**  
USPC ..... D16/208–209, 219, 237–250; D8/354,  
D8/355, 363, 373, 382–383, 394–396;  
D14/224, 229, 238, 251, 253, 447, 451,  
D14/457

CPC ..... F16M 11/06–10; F16M 11/14; G02B  
7/00–002; G03B 17/56; G03B  
17/561–568; H04N 5/2253–2254

See application file for complete search history.

(56) **References Cited**

**U.S. PATENT DOCUMENTS**

D607,036 S *	12/2009	Darrow	.....	D16/242
D607,037 S *	12/2009	Lee	.....	D16/244
D673,204 S *	12/2012	Bae	.....	D16/244
9,383,632 B2 *	7/2016	Speggiorin	.....	F16M 11/32
D860,299 S *	9/2019	Li	.....	D16/244
D868,142 S *	11/2019	Li	.....	D16/244
D870,800 S *	12/2019	Xu	.....	D16/244
2003/0234327 A1 *	12/2003	Nakatani	.....	F16M 11/16 248/177.1
2006/0175484 A1 *	8/2006	Wood, III	.....	F16M 11/32 248/177.1
2007/0090237 A1 *	4/2007	Hsu	.....	F16M 11/14 248/178.1
2011/0260016 A1 *	10/2011	Johnson	.....	F16M 11/16 248/168

**OTHER PUBLICATIONS**

Phone Tripod, Flexible Cell Phone Tripod Stand Holder. [online] Published on Jul. 15, 2019. Retrieved Dec. 17, 2019 from URL: [https://www.amazon.com/Flexible-Wireless-Shutter-Universal-360%C2%B0Rotating/dp/B07SJY92YK/ref=sr\\_1\\_14?keywords=flexible+tripod&qid=1576592171&sr=8-14.\\*](https://www.amazon.com/Flexible-Wireless-Shutter-Universal-360%C2%B0Rotating/dp/B07SJY92YK/ref=sr_1_14?keywords=flexible+tripod&qid=1576592171&sr=8-14.*)

Phone Tripod, UBeesize 12 Inch Flexible. [online] Published Oct. 10, 2018. Retrieved Dec. 17, 2019 from URL: [https://www.amazon.com/UBeesize-Flexible-Wireless-Universal-Compatible/dp/B07VTZTS4X/ref=sr\\_1\\_8?keywords=flexible+tripod&qid=1576591632&sr=8-8.\\*](https://www.amazon.com/UBeesize-Flexible-Wireless-Universal-Compatible/dp/B07VTZTS4X/ref=sr_1_8?keywords=flexible+tripod&qid=1576591632&sr=8-8.*)

\* cited by examiner

*Primary Examiner* — Vy N Koenig

(74) *Attorney, Agent, or Firm* — ScienBiziP, P.C.

(57) **CLAIM**

The ornamental design for a tripod, as shown and described.

**DESCRIPTION**

FIG. 1 is a first perspective view of a tripod showing my new design;

FIG. 2 is a second perspective view thereof;

FIG. 3 is a front elevation view thereof;

FIG. 4 is a rear elevation view thereof.

FIG. 5 is a left side elevation view thereof;

FIG. 6 is a right side elevation view thereof;

FIG. 7 is a top plan view thereof;

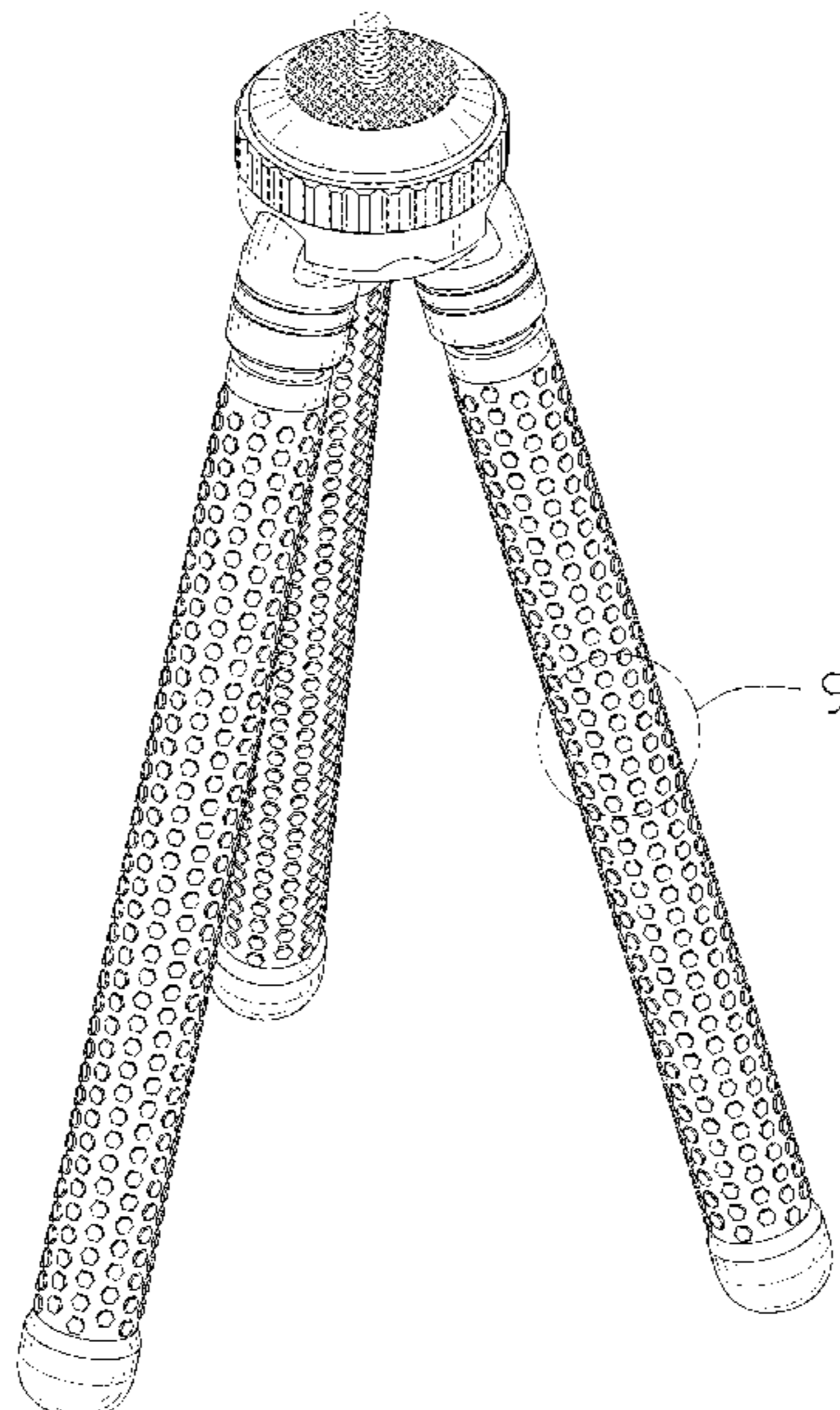
FIG. 8 is a bottom plan view thereof.

FIG. 9 is an enlarged view of the design features contained within circle 9 of FIG. 1; and,

FIG. 10 is an enlarged view of the design features contained within circle 10 of FIG. 7.

The broken lines in the drawing depict environmental structure and form no part of the claimed design.

**1 Claim, 10 Drawing Sheets**



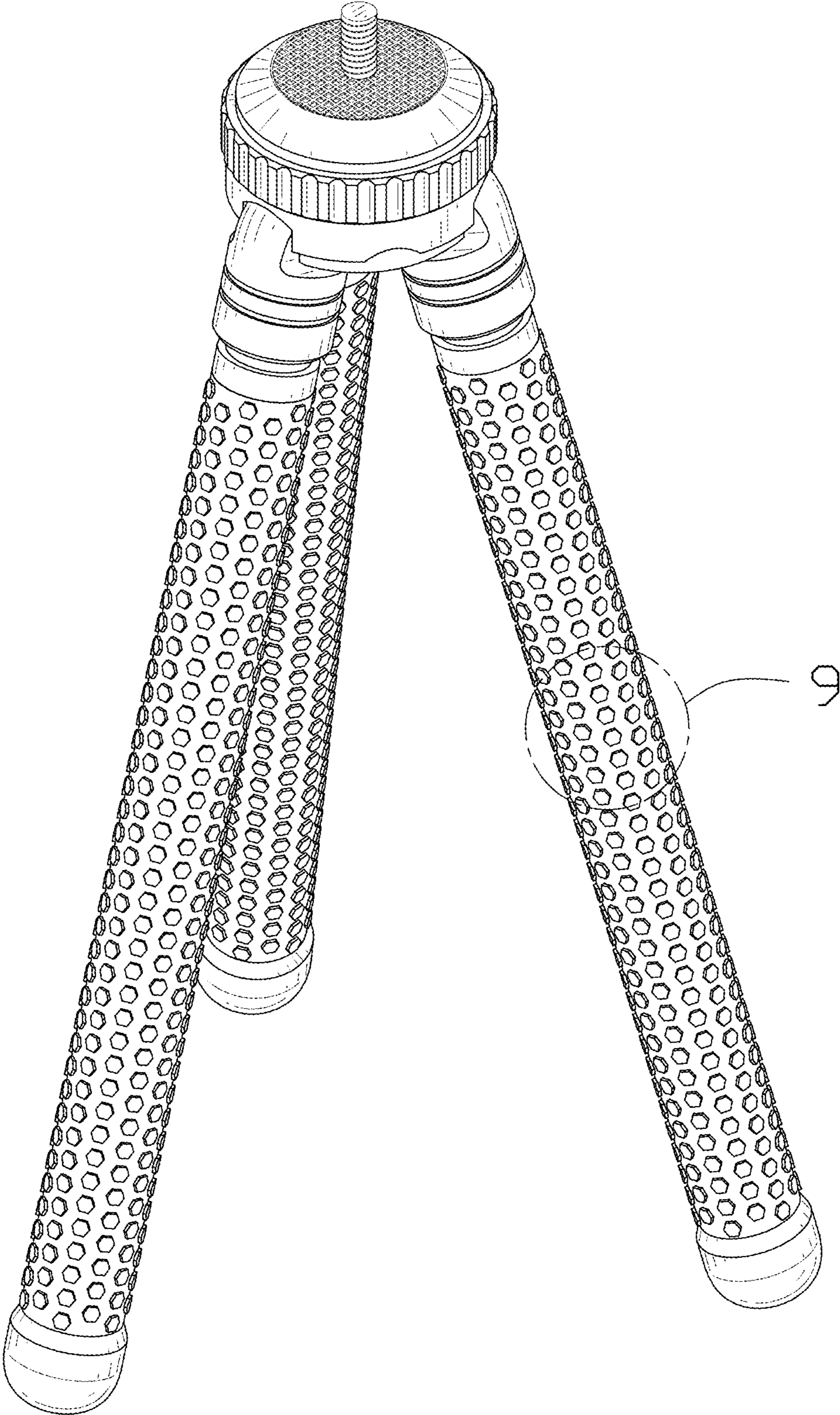


FIG. 1



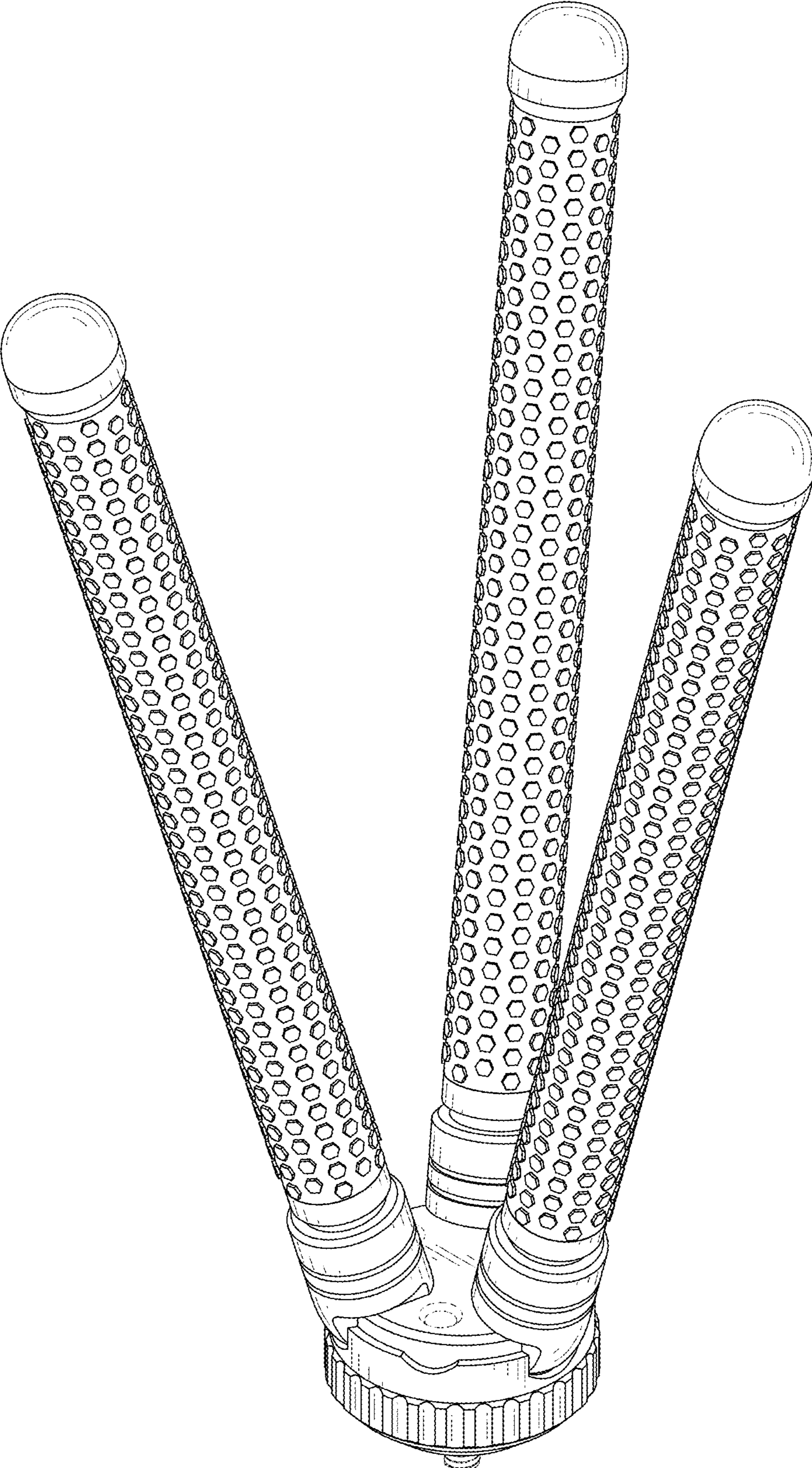


FIG. 2

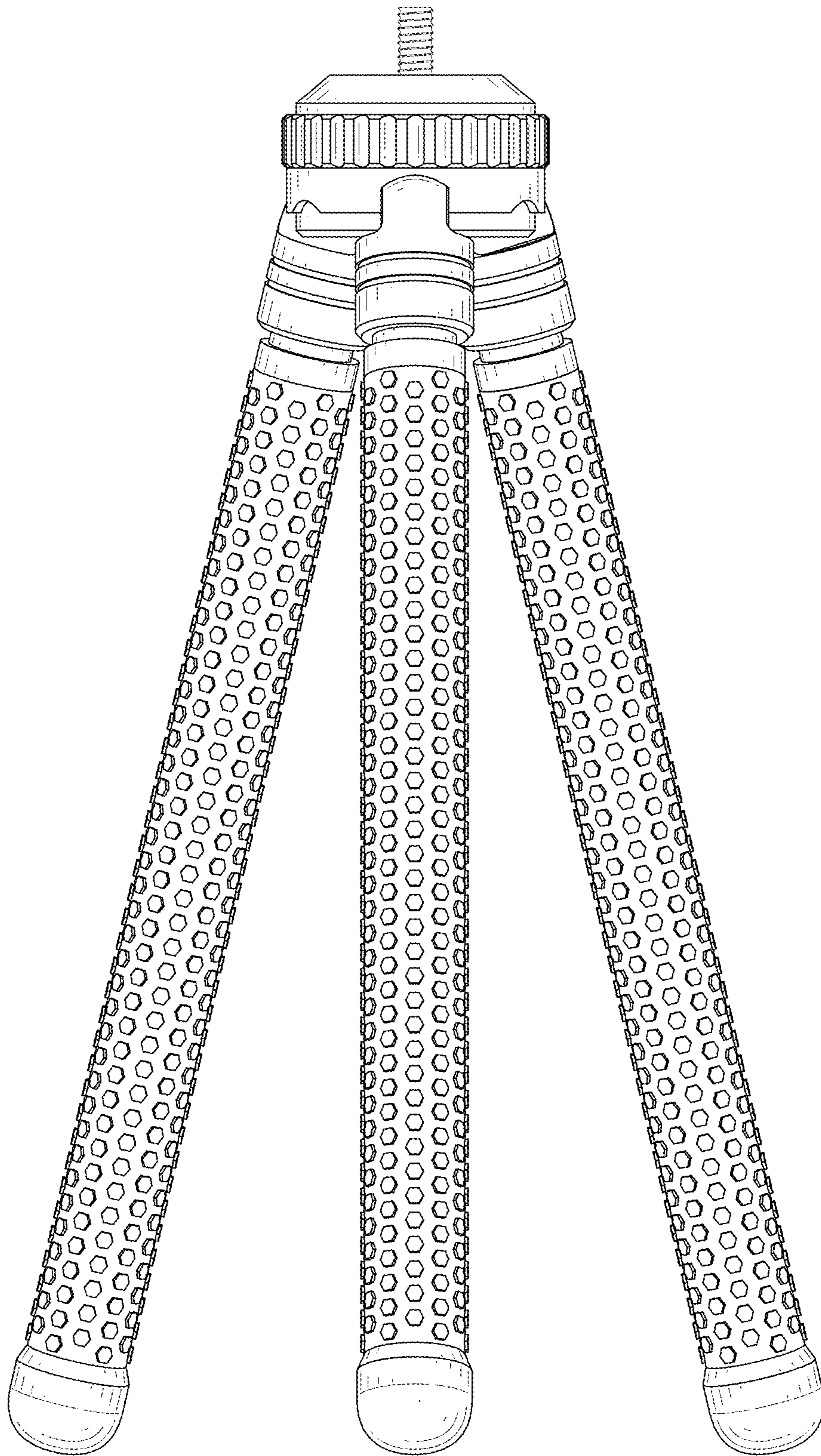


FIG. 3



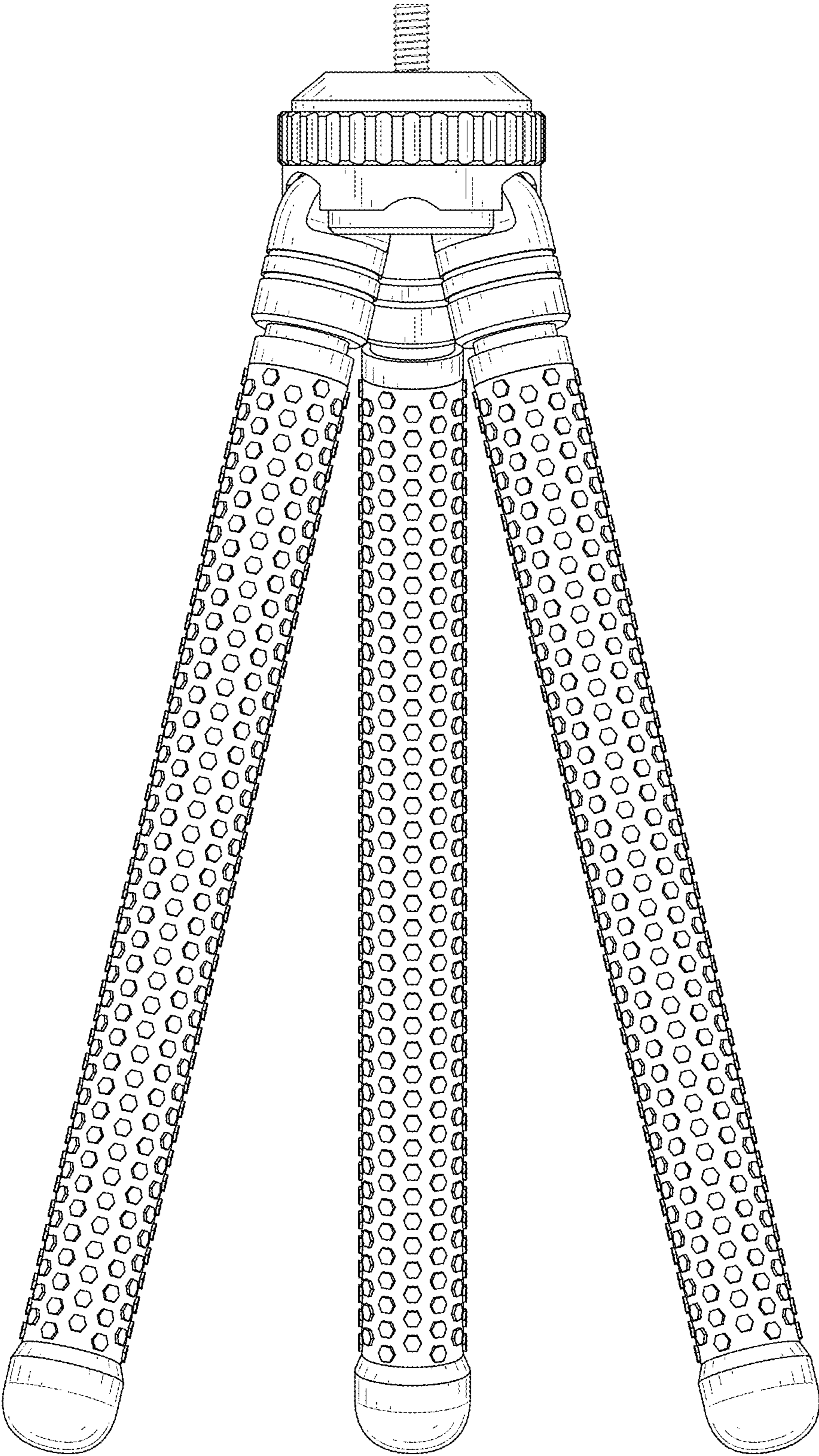


FIG. 4

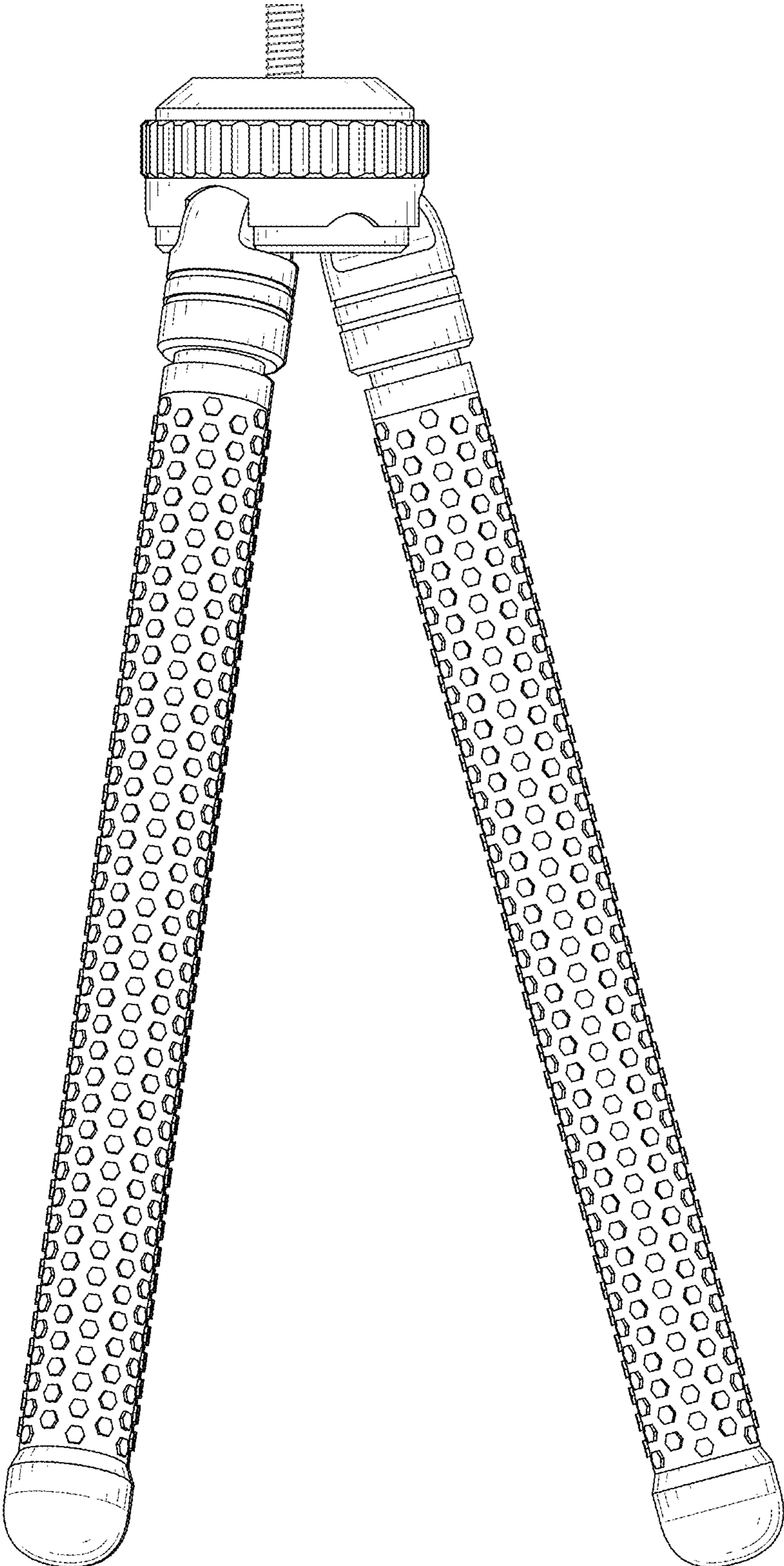


FIG. 5

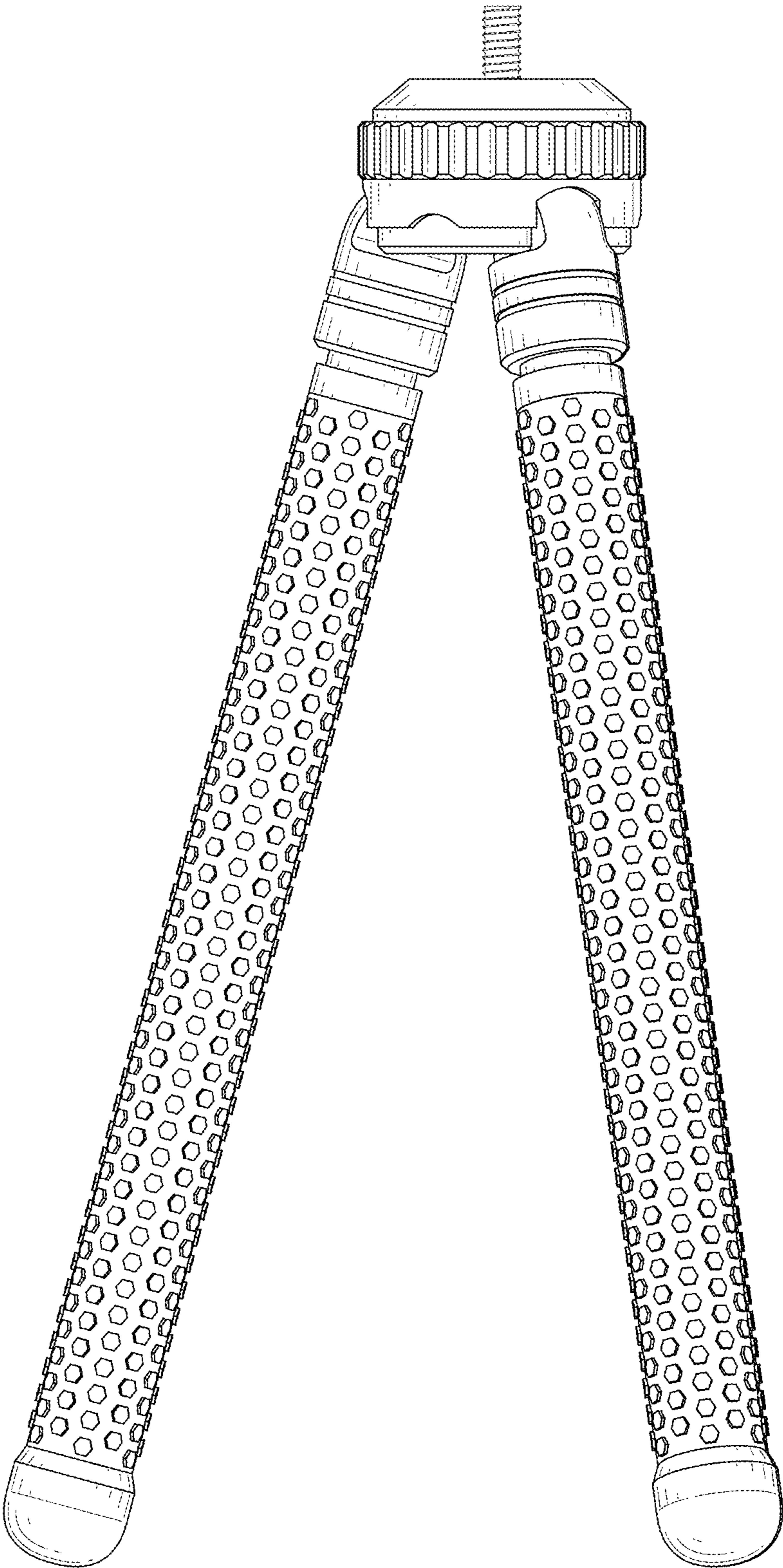


FIG. 6



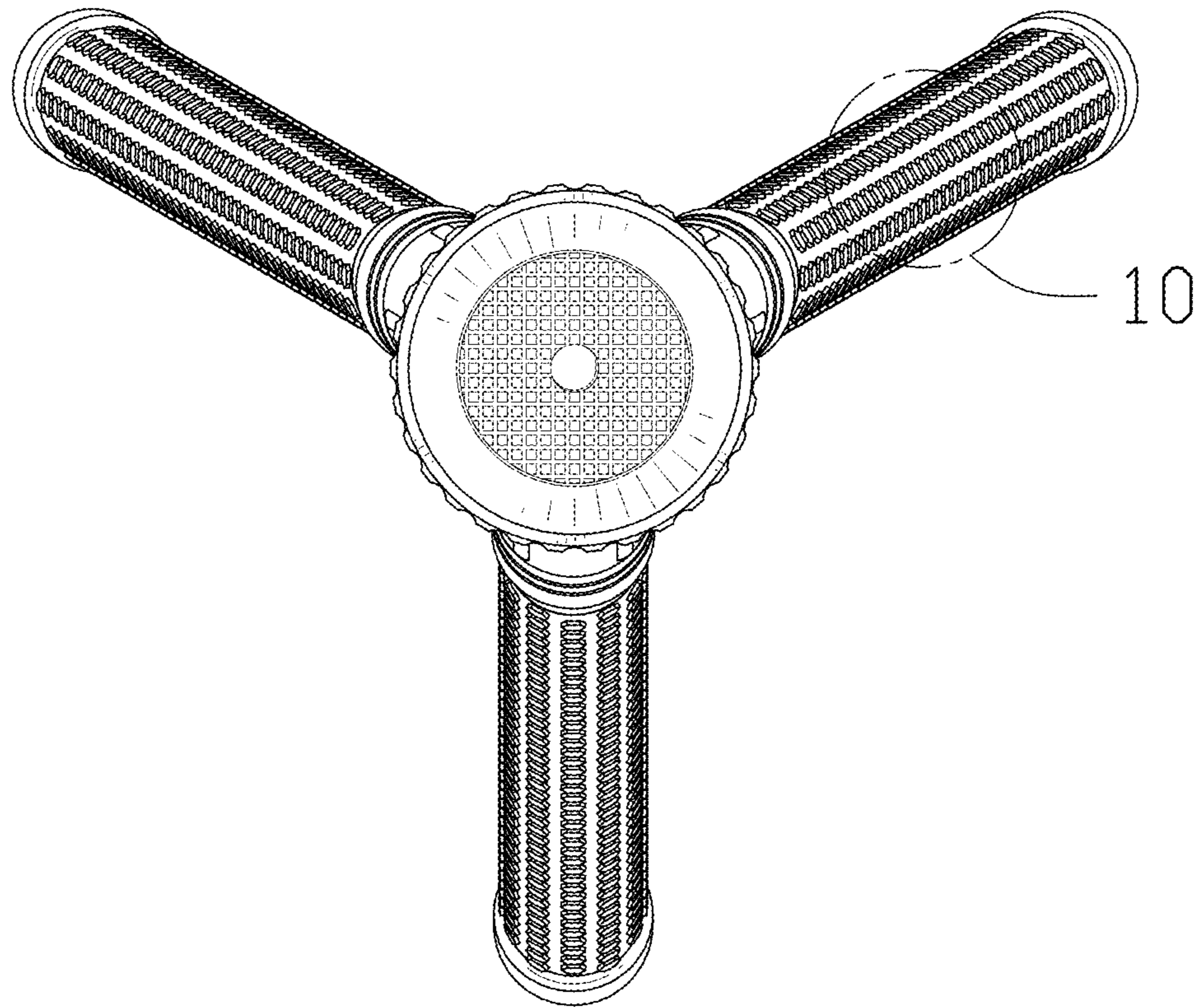


FIG. 7



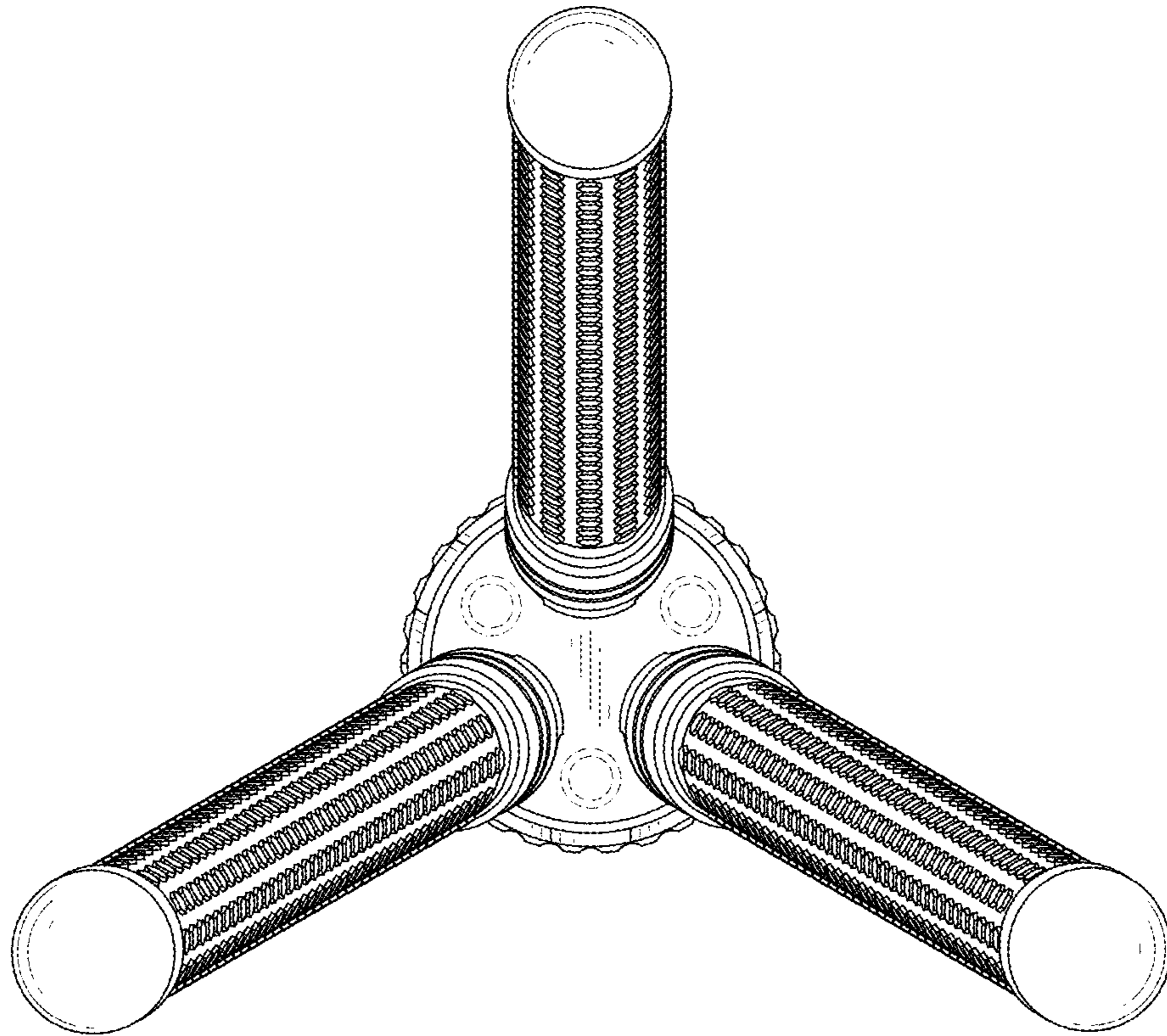


FIG. 8

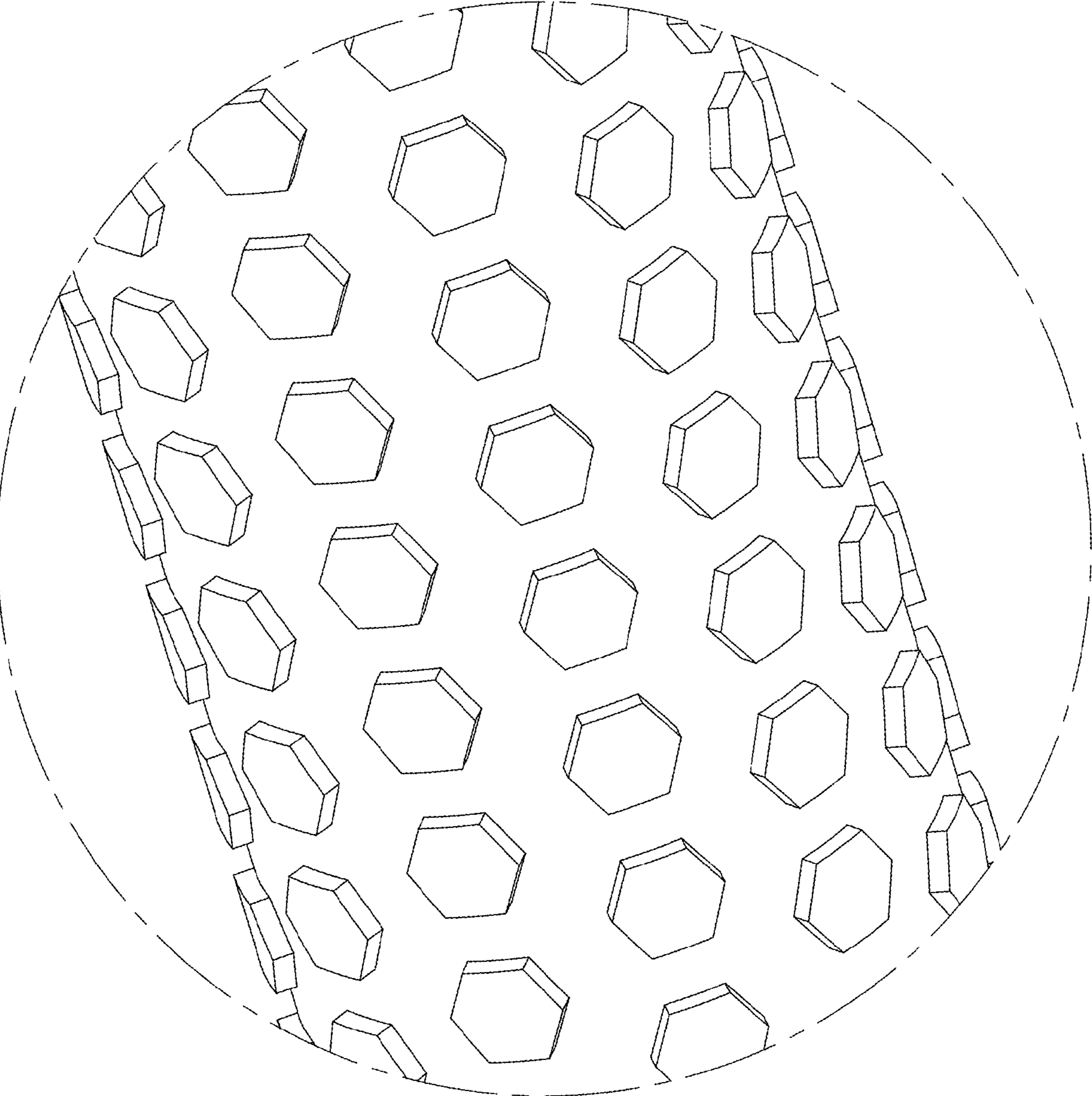


FIG. 9



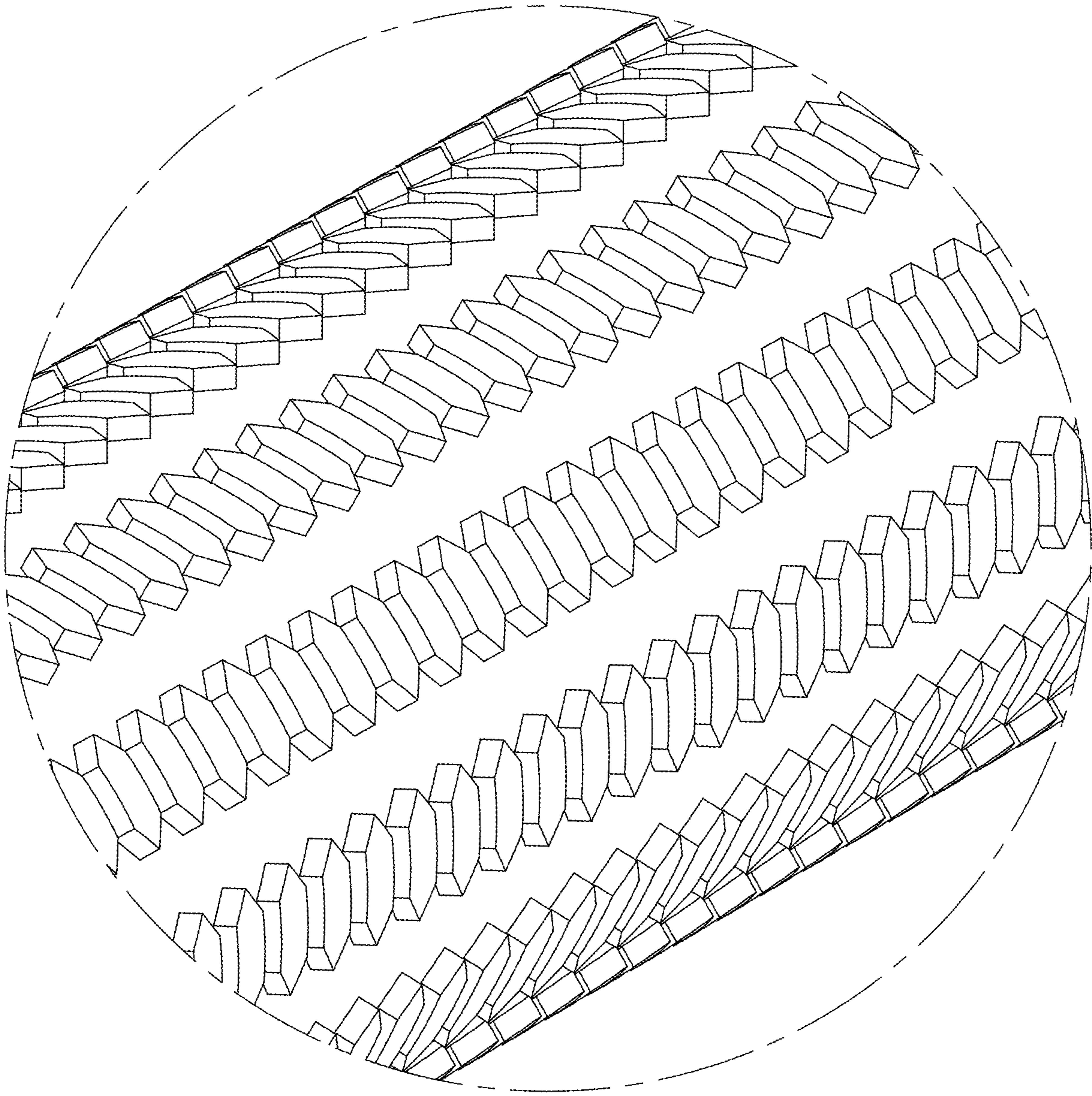


FIG. 10