



US00D881980S

(12) **United States Design Patent** (10) **Patent No.:** **US D881,980 S**  
**Zhu** (45) **Date of Patent:** **\*\* Apr. 21, 2020**

(54) **SOFTBOX WITH TRIPOD STAND**

*Primary Examiner* — Vy N Koenig

(71) Applicant: **SHENZHEN MAITEWEI INVESTMENT AND DEVELOPMENT CO., LTD.**, Shenzhen (CN)

(57) **CLAIM**

The ornamental design for a softbox with tripod stand, as shown and described.

(72) Inventor: **Yongping Zhu**, Pingxiang (CN)

(73) Assignee: **SHENZHEN MAITEWEI INVESTMENT AND DEVELOPMENT CO., LTD.**, Shenzhen (CN)

**DESCRIPTION**

(\*\*) Term: **15 Years**

FIG. 1 is a perspective view of a softbox with tripod stand showing my new design;  
FIG. 2 is another perspective view thereof;  
FIG. 3 is a front elevational view thereof;  
FIG. 4 is a rear elevational view thereof;  
FIG. 5 is a left side elevational view thereof;  
FIG. 6 is a right side elevational view thereof;  
FIG. 7 is a top plan view thereof;  
FIG. 8 is a bottom plan view thereof;  
FIG. 9 is a left side elevational view of the softbox with tripod stand where the softbox with tripod stand is in a first configuration of use;  
FIG. 10 is a left side elevational view of the softbox with tripod stand where the softbox with tripod stand is in a second configuration of use;  
FIG. 11 is a left side elevational view of the softbox with tripod stand where the softbox with tripod stand is in a third configuration of use;  
FIG. 12 is an exploded view of the softbox with tripod stand where the tripod stand is unattached and fully folded;  
FIG. 13 is an enlarged view of portion 13 shown in FIG. 1;  
FIG. 14 is an enlarged view of portion 14 shown in FIG. 1;  
FIG. 15 is an enlarged view of portion 15 shown in FIG. 2; and,  
FIG. 16 is an enlarged view of portion 16 shown in FIG. 2.  
A cable of the softbox with tripod stand is shown with a symbolic break in length. The appearance of any portion of the cable between the break lines forms no part of the claimed design. The broken lines in the drawings depict portions of the softbox with tripod stand that form no part of the claimed design.

(21) Appl. No.: **29/717,737**

(22) Filed: **Dec. 19, 2019**

(51) **LOC (12) Cl.** ..... **16-05**

(52) **U.S. Cl.**  
USPC ..... **D16/237; D16/244**

(58) **Field of Classification Search**  
USPC ..... D16/219, 237–250; D8/354, 355, 363, D8/373, 382–383, 394–396; D14/224,  
(Continued)

(56) **References Cited**

**U.S. PATENT DOCUMENTS**

- 4,446,506 A \* 5/1984 Larson ..... G03B 15/02 362/17
- 4,807,089 A \* 2/1989 Nussli ..... G03B 15/06 362/17

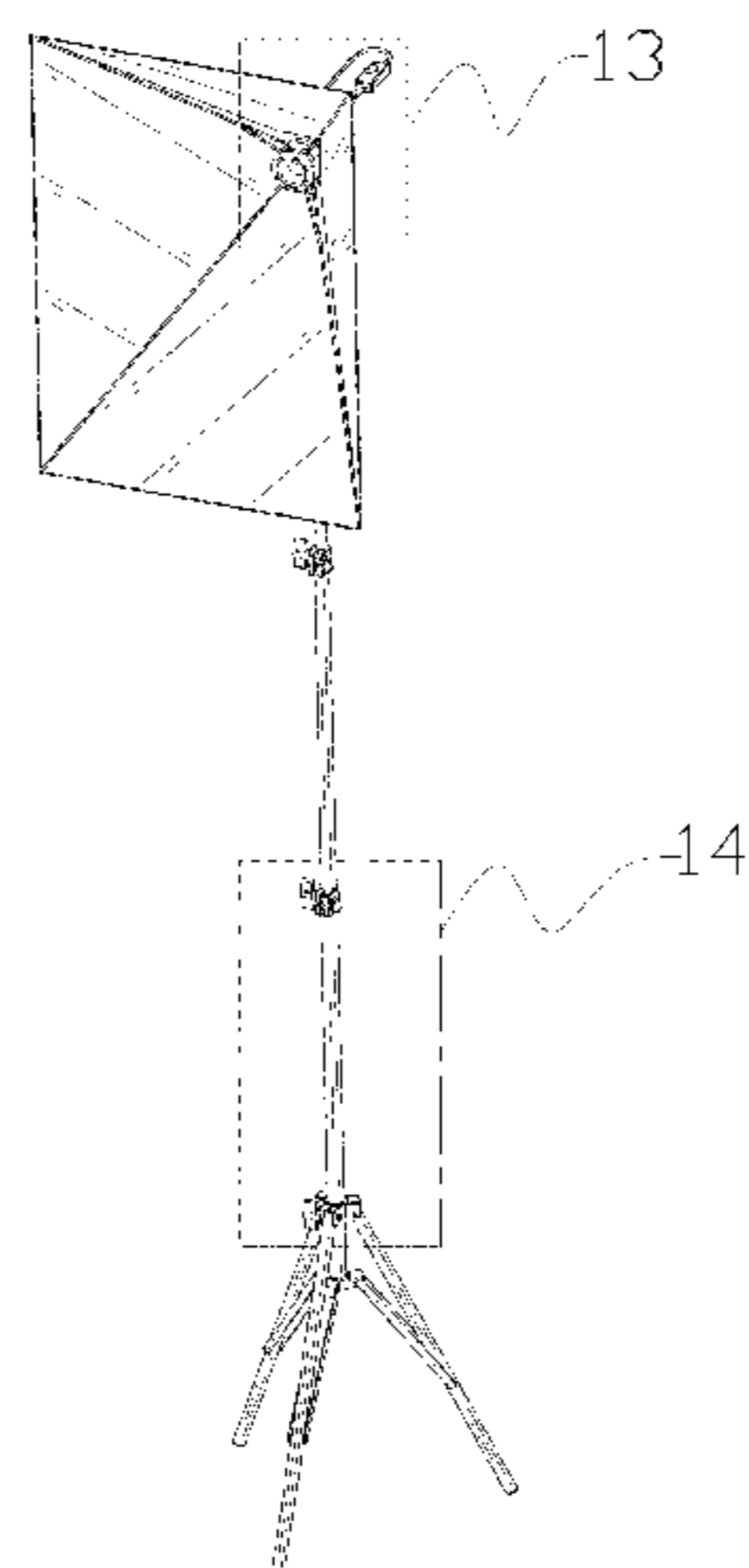
(Continued)

**OTHER PUBLICATIONS**

Photography LED Softbox with Tripod Stand Photo Studio Soft Box Tent lights Kit for Camera Diffuser E27 Lamp Holder Accessories. [online] Retrieved Mar. 11, 2020 from URL: [https://imall.com/product/Photography-LED-Softbox-with-Tripod-Stand-Photo-Studio-Soft-Box-Tent-lights-Kit-for-Camera-Diffuser-E27-Lamp-Holder-Accesso.\\*](https://imall.com/product/Photography-LED-Softbox-with-Tripod-Stand-Photo-Studio-Soft-Box-Tent-lights-Kit-for-Camera-Diffuser-E27-Lamp-Holder-Accesso.*)

(Continued)

**1 Claim, 16 Drawing Sheets**



# US D881,980 S

Page 2

(58) **Field of Classification Search**

USPC ..... D14/229, 238, 251, 253, 356, 447, 451,  
D14/457  
CPC ..... A45F 5/00; A45F 5/10; A45F  
2200/0508-0533; F16M 11/06-10; F16M  
11/14; G02B 7/00-002; G03B 17/56;  
G03B 17/561-566; H04N 5/2253-2254  
See application file for complete search history.

2006/0007666 A1\* 1/2006 Cook ..... G03B 15/02  
362/16  
2006/0203491 A1\* 9/2006 Waltz ..... F21V 21/14  
362/269  
2010/0124068 A1\* 5/2010 Karle ..... F21V 17/06  
362/433  
2015/0205185 A1\* 7/2015 Calvert ..... G03B 15/06  
362/18  
2019/0182418 A1\* 6/2019 Lai ..... H04N 5/2354

(56)

**References Cited**

U.S. PATENT DOCUMENTS

D342,273 S \* 12/1993 Couch ..... D16/237  
D373,132 S \* 8/1996 Baillie-Hamilton ..... D16/237  
D641,100 S 7/2011 Li  
D696,335 S 12/2013 Li et al.  
D699,778 S 2/2014 Li et al.  
10,216,066 B2\* 2/2019 Pilby ..... F21V 11/065

OTHER PUBLICATIONS

Kshioe 4332044702 135W Photography Lighting Kit with 2 Softbox  
Light. [online] Retrieved Mar. 11, 2020 from URL: [https://www.ebay.com/p/21031090638?iid=312732565218&chn=ps&norover=1&mkevt=1&mkrid=711-117182-37290-0&mkcid=2&itemid=312732565218&targetid=885603794148&device=c&mktype=pla&googleloc=9007564&poi=&campaignid=93.\\*](https://www.ebay.com/p/21031090638?iid=312732565218&chn=ps&norover=1&mkevt=1&mkrid=711-117182-37290-0&mkcid=2&itemid=312732565218&targetid=885603794148&device=c&mktype=pla&googleloc=9007564&poi=&campaignid=93.*)

\* cited by examiner

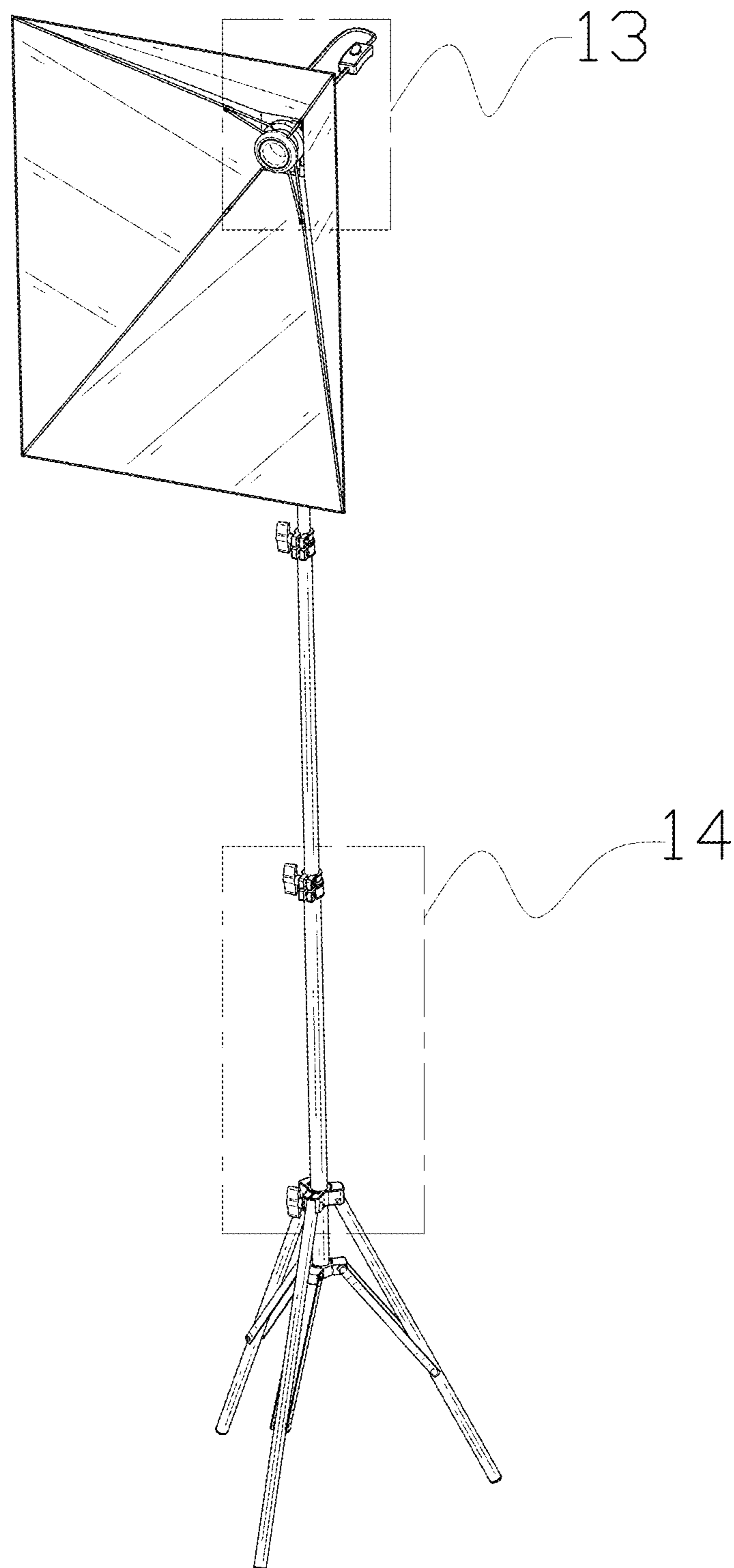


FIG. 1

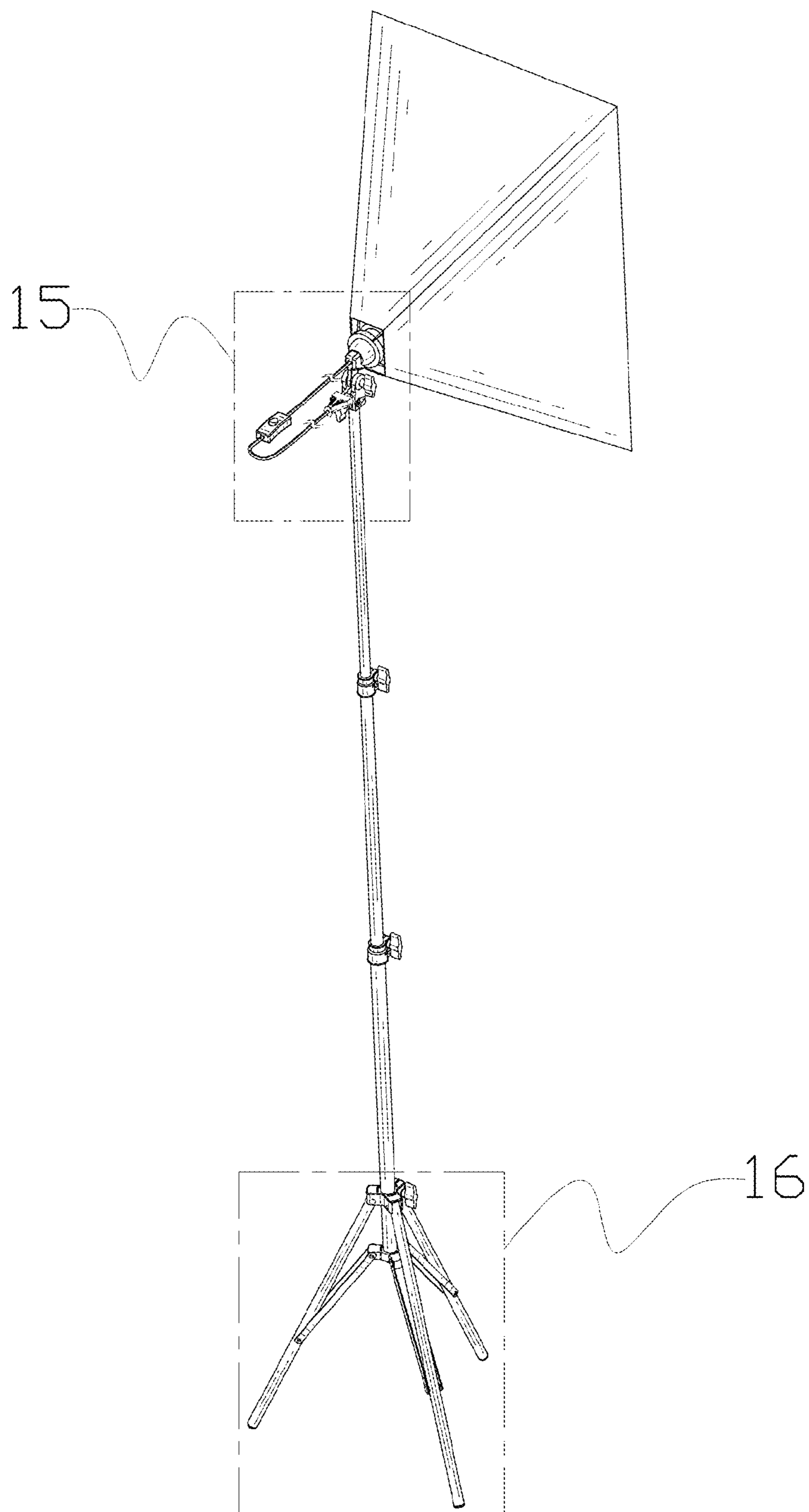


FIG. 2

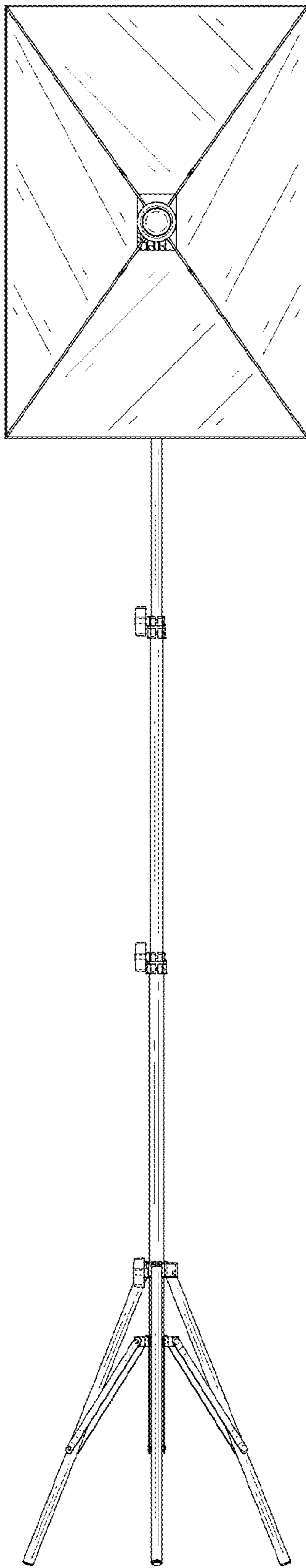


FIG. 3

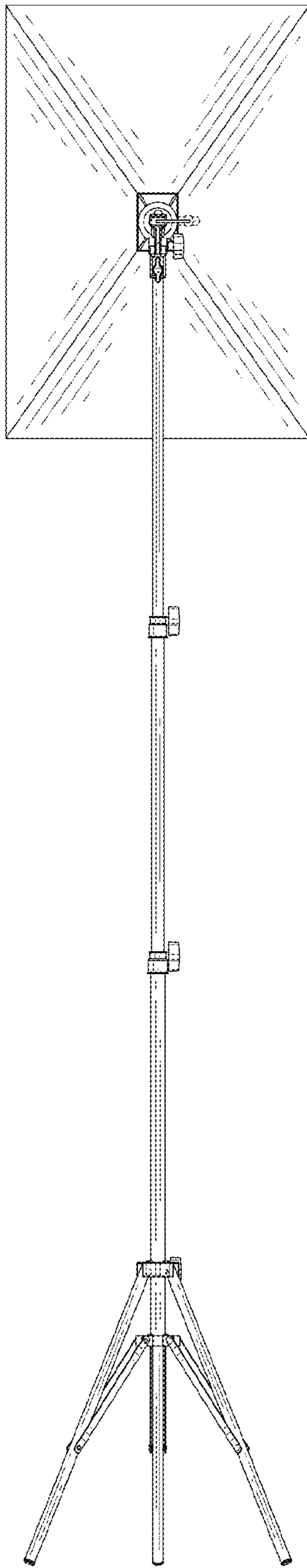


FIG. 4

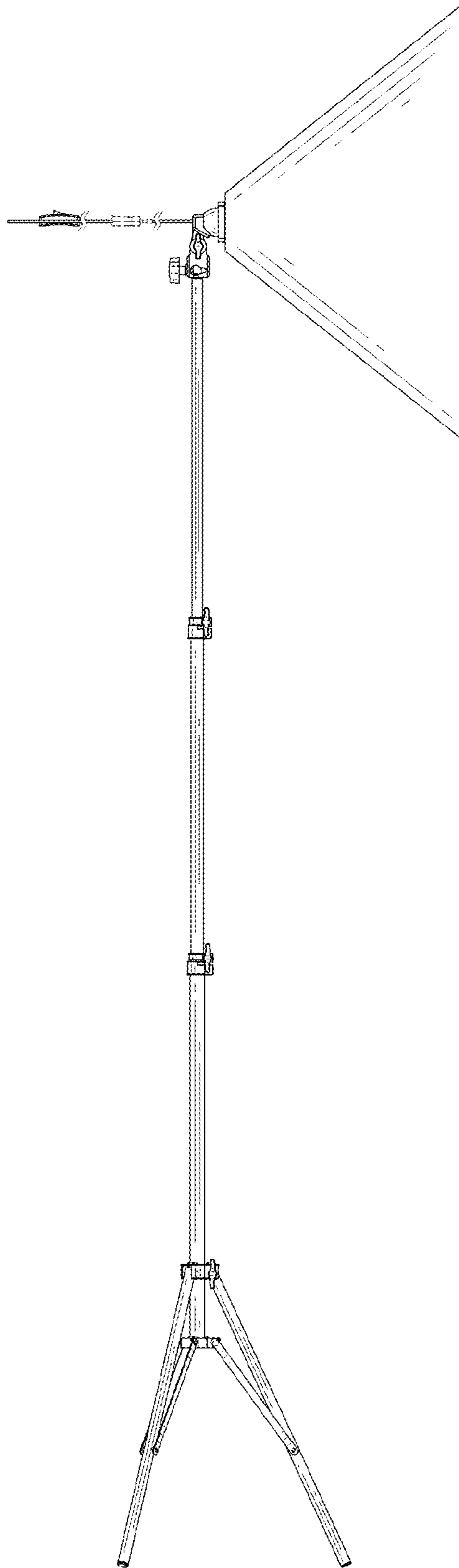


FIG. 5

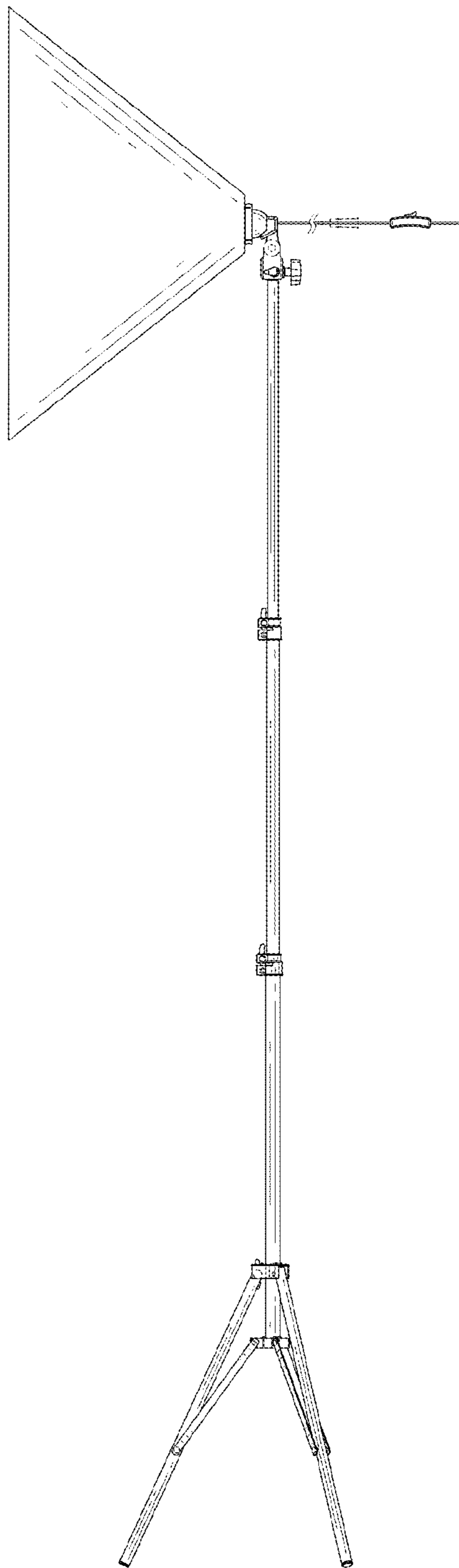


FIG. 6



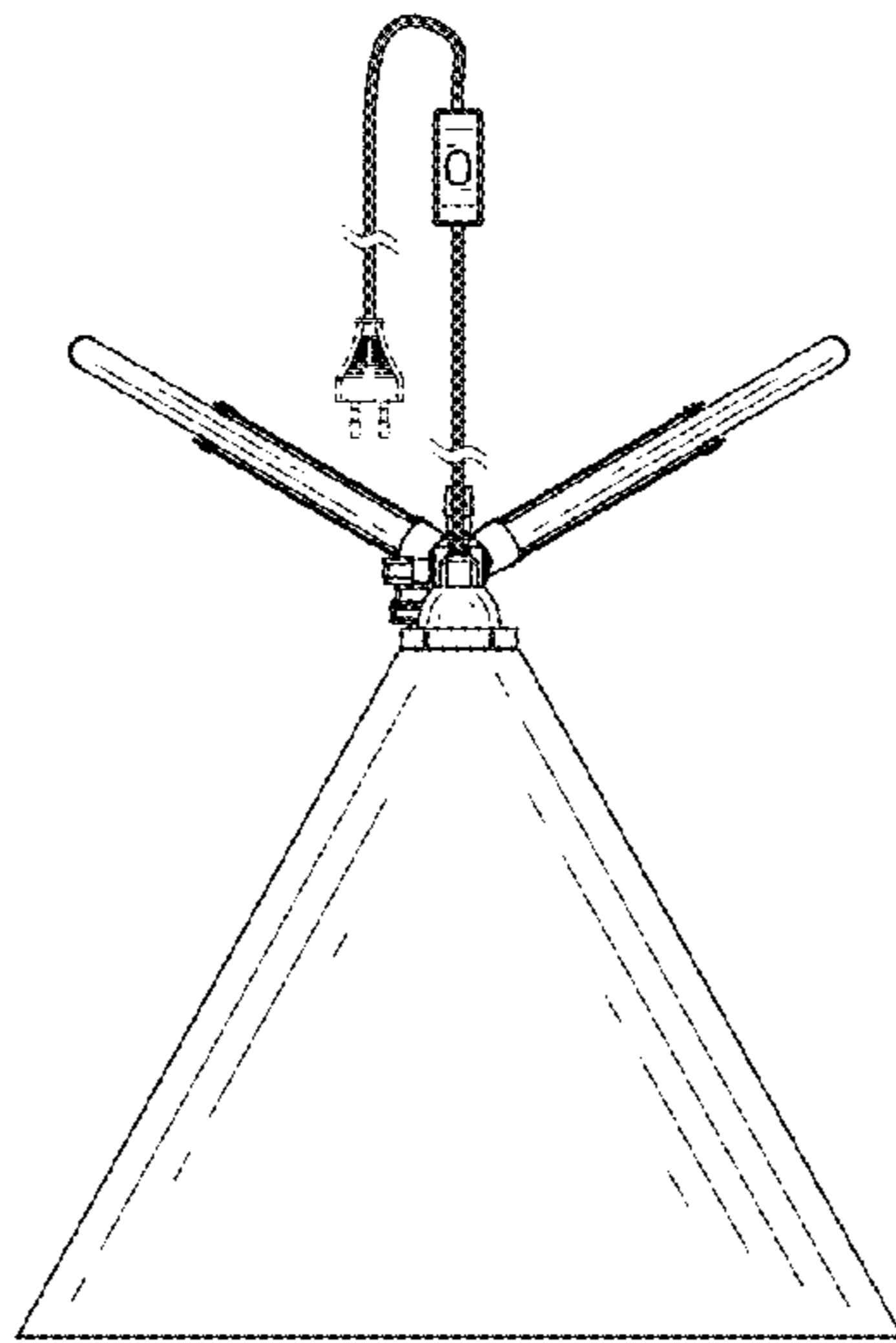


FIG. 7

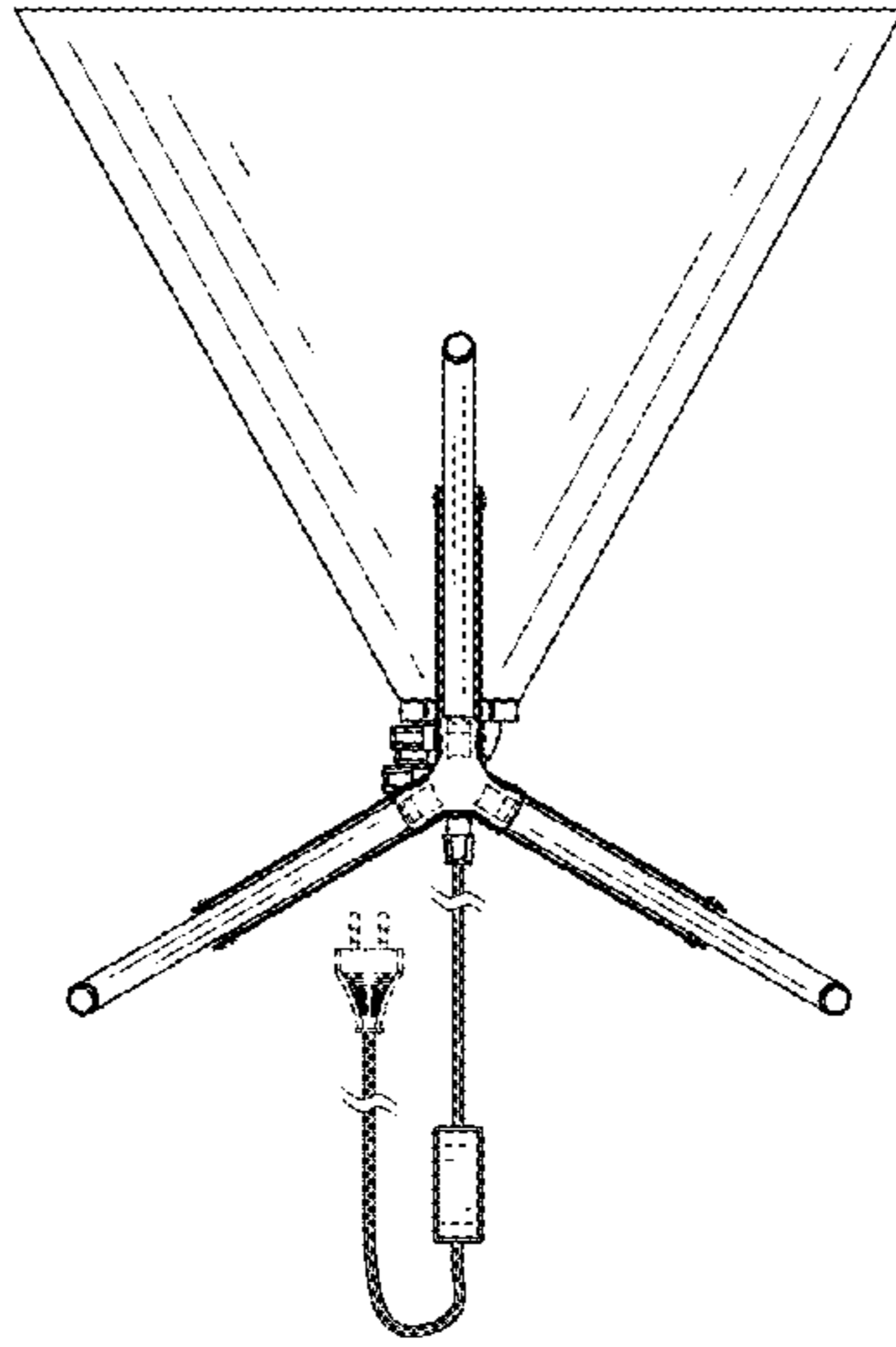


FIG. 8

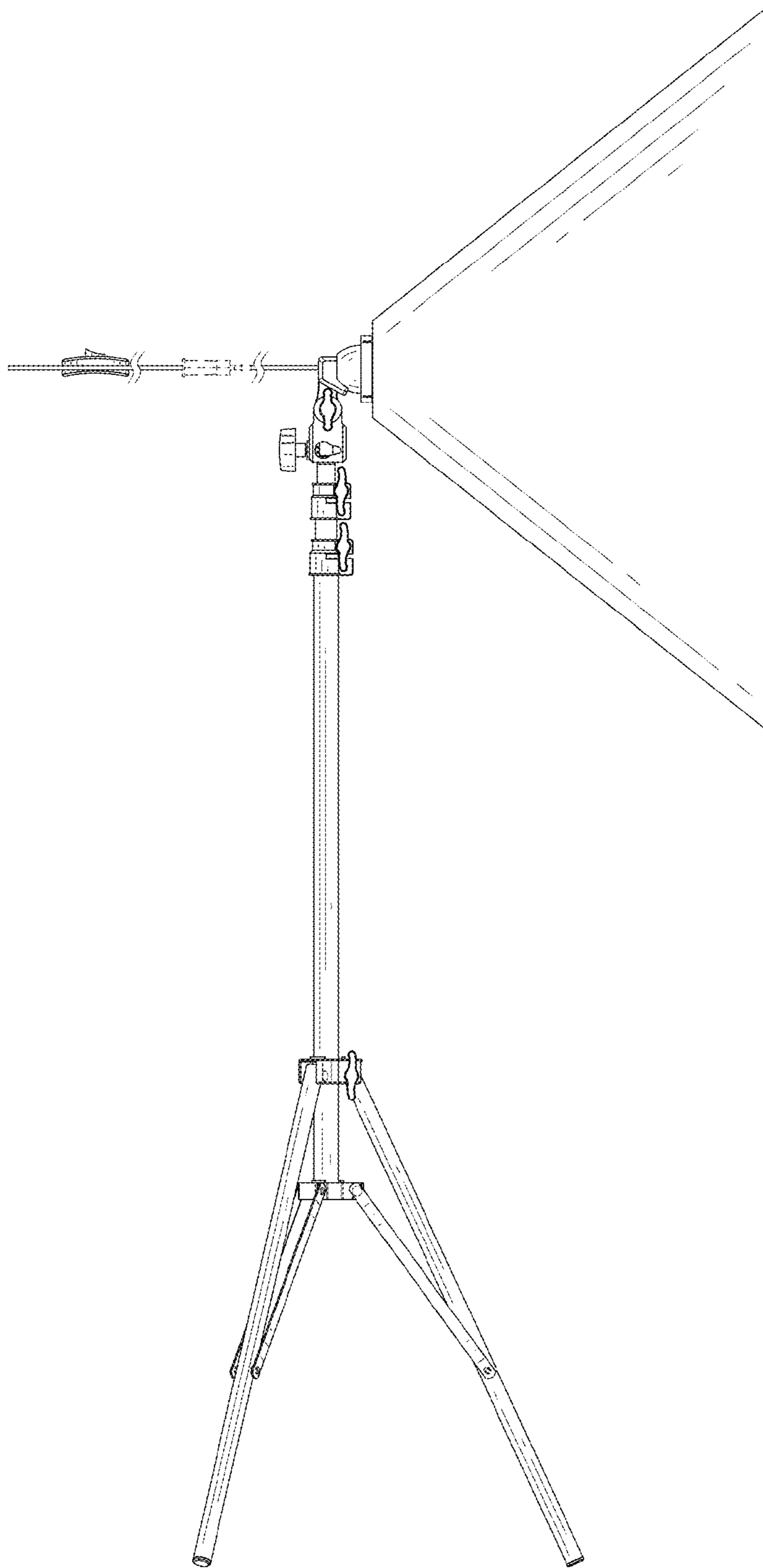


FIG. 9

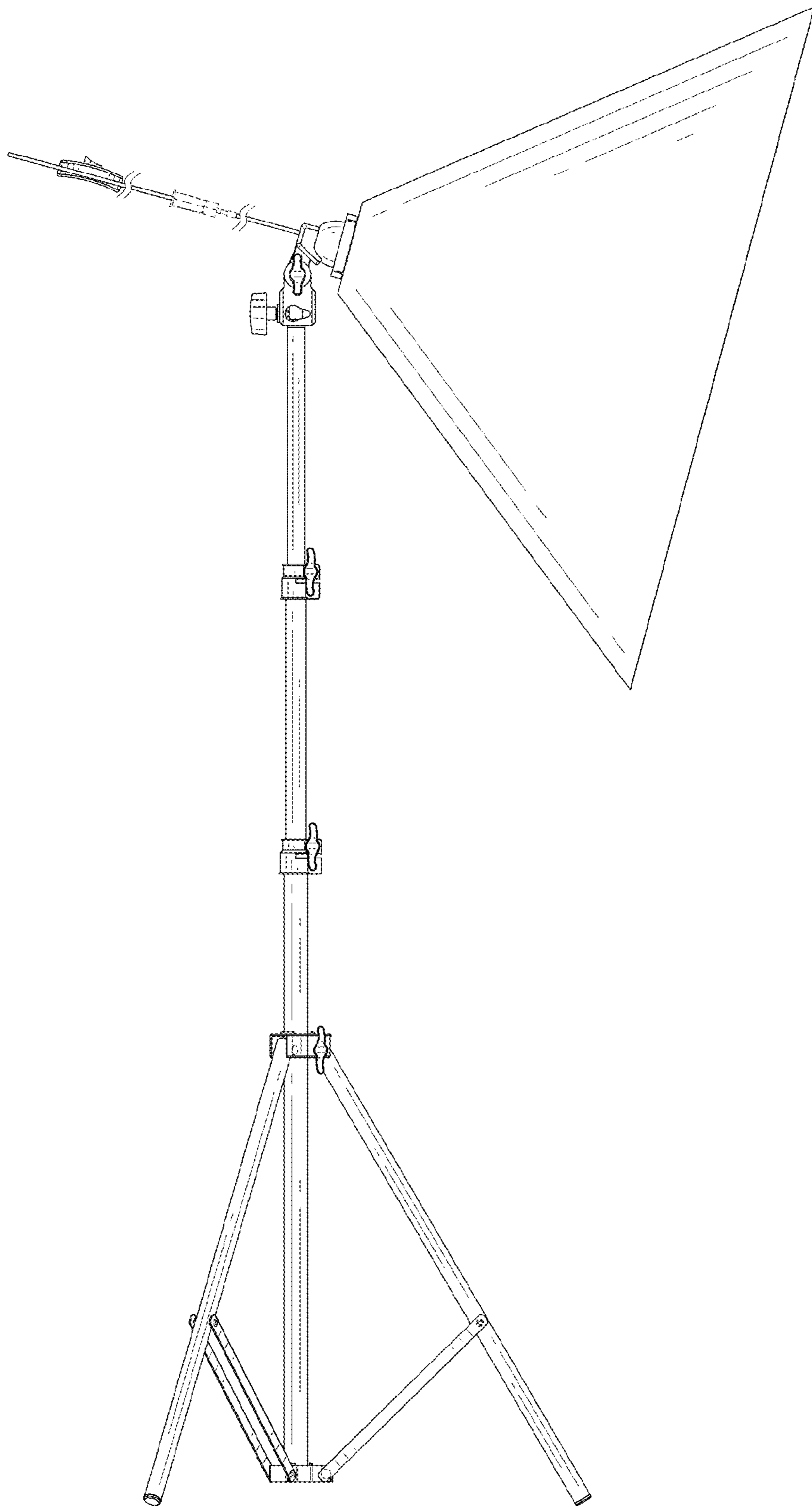


FIG. 10

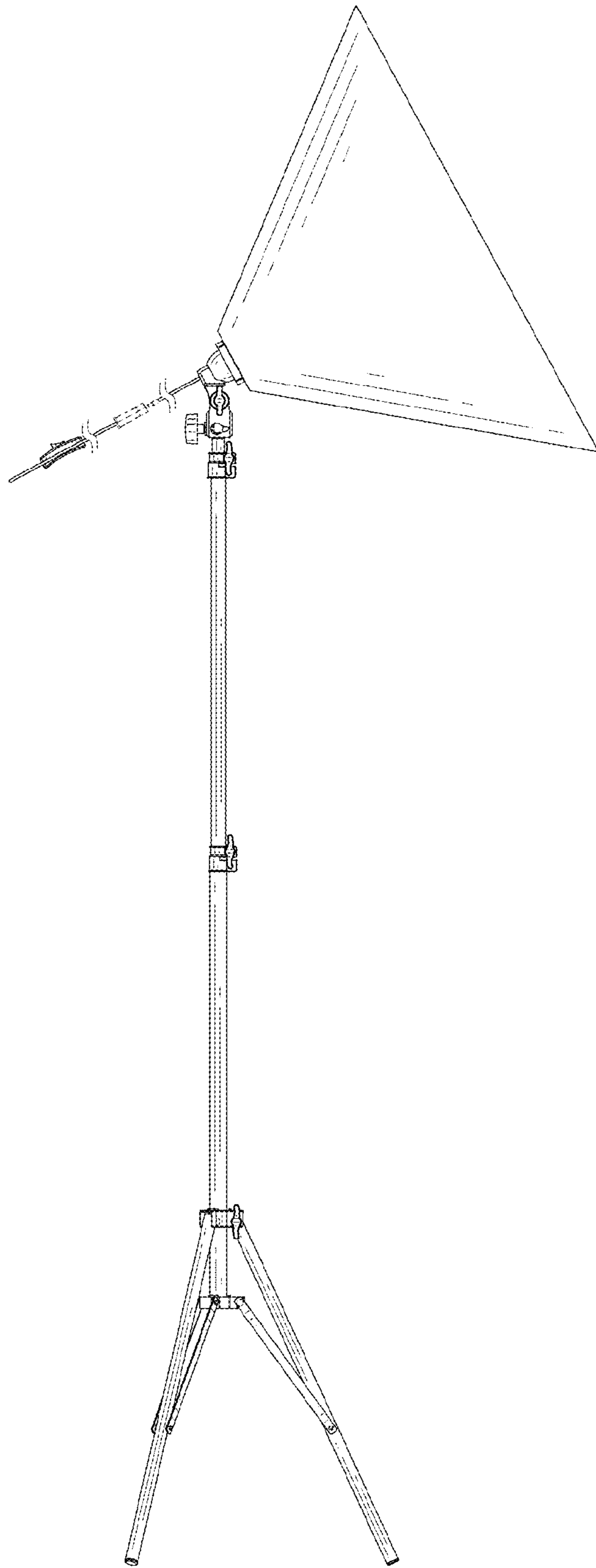


FIG. 11

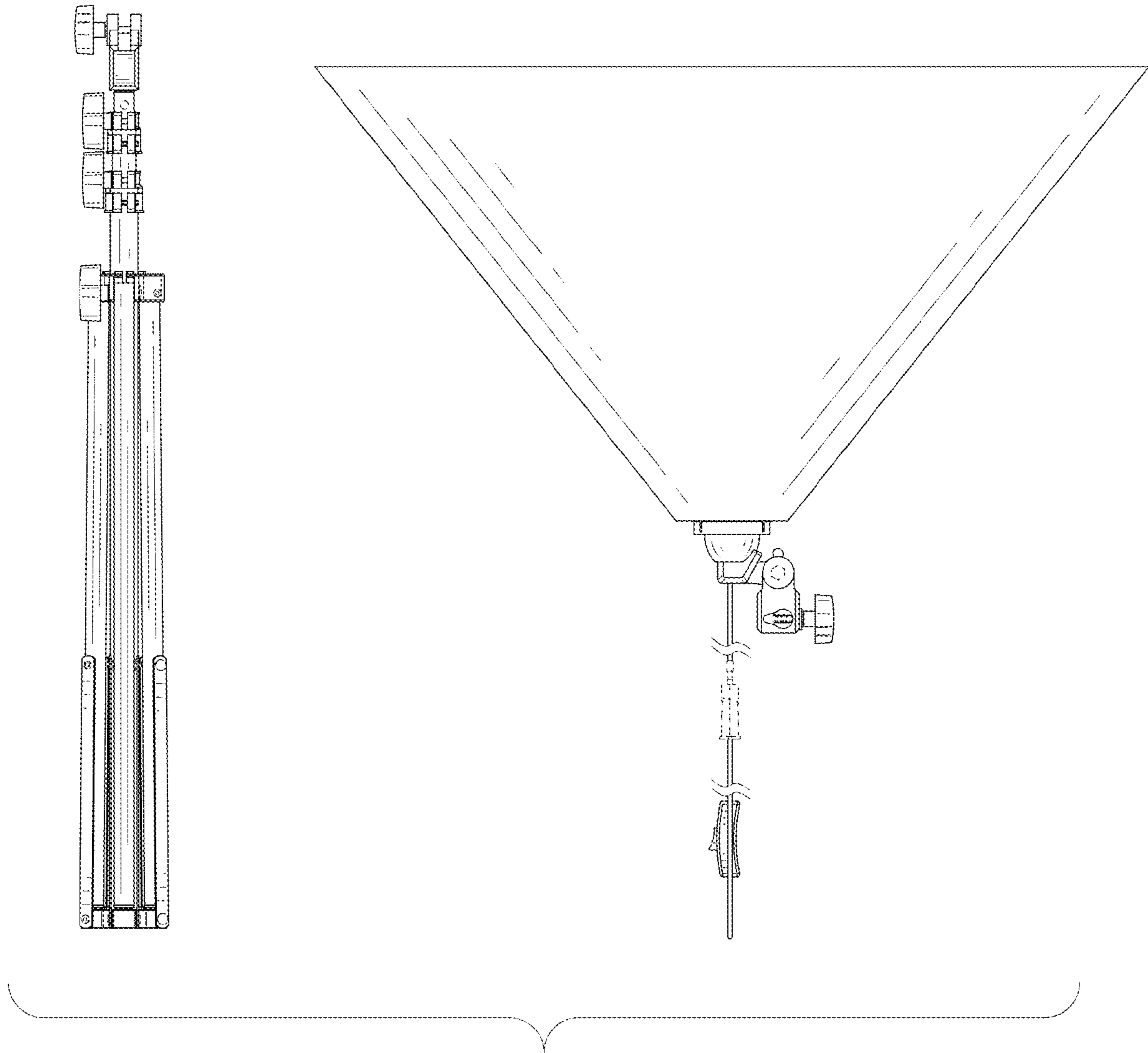


FIG. 12

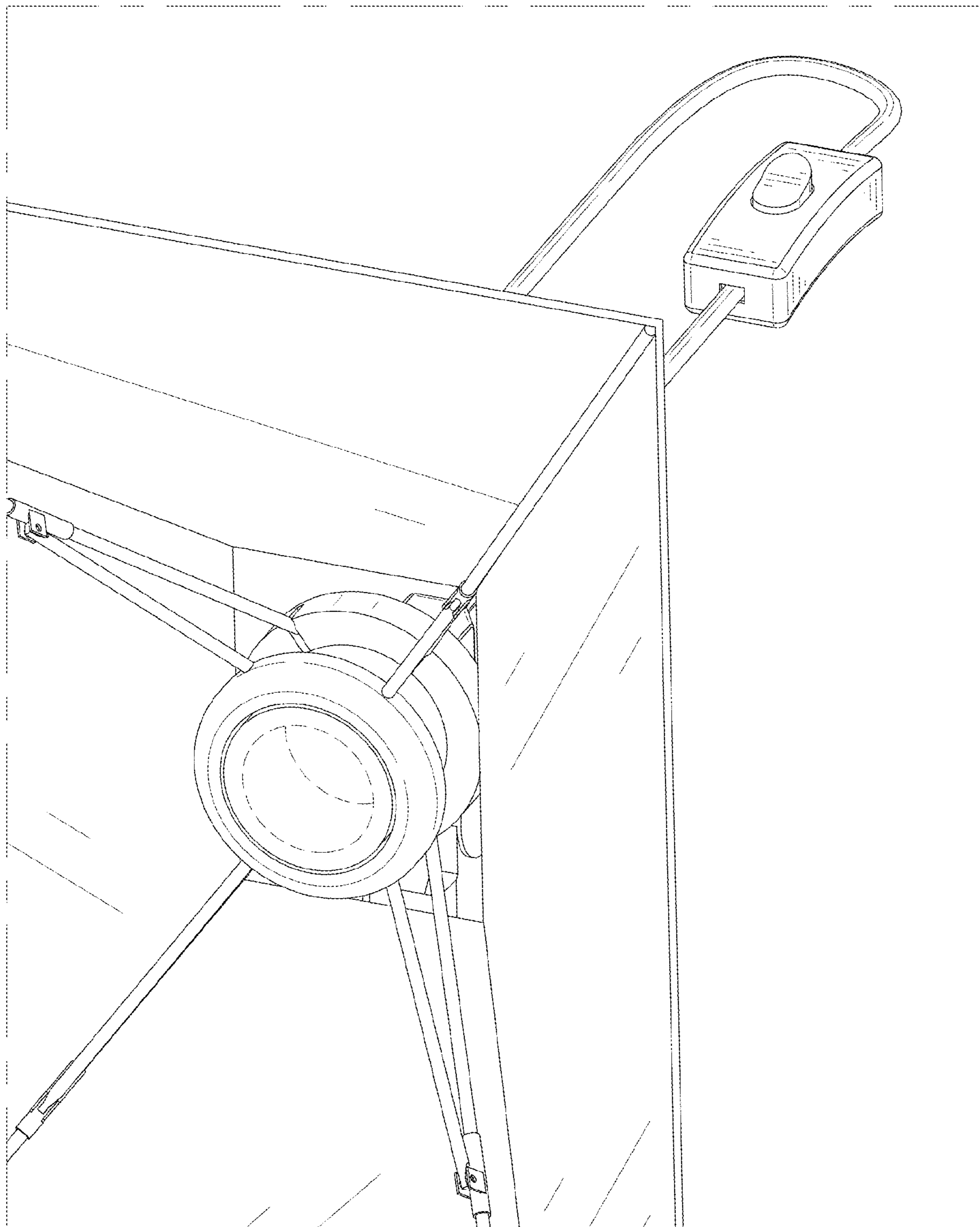


FIG. 13



FIG. 14



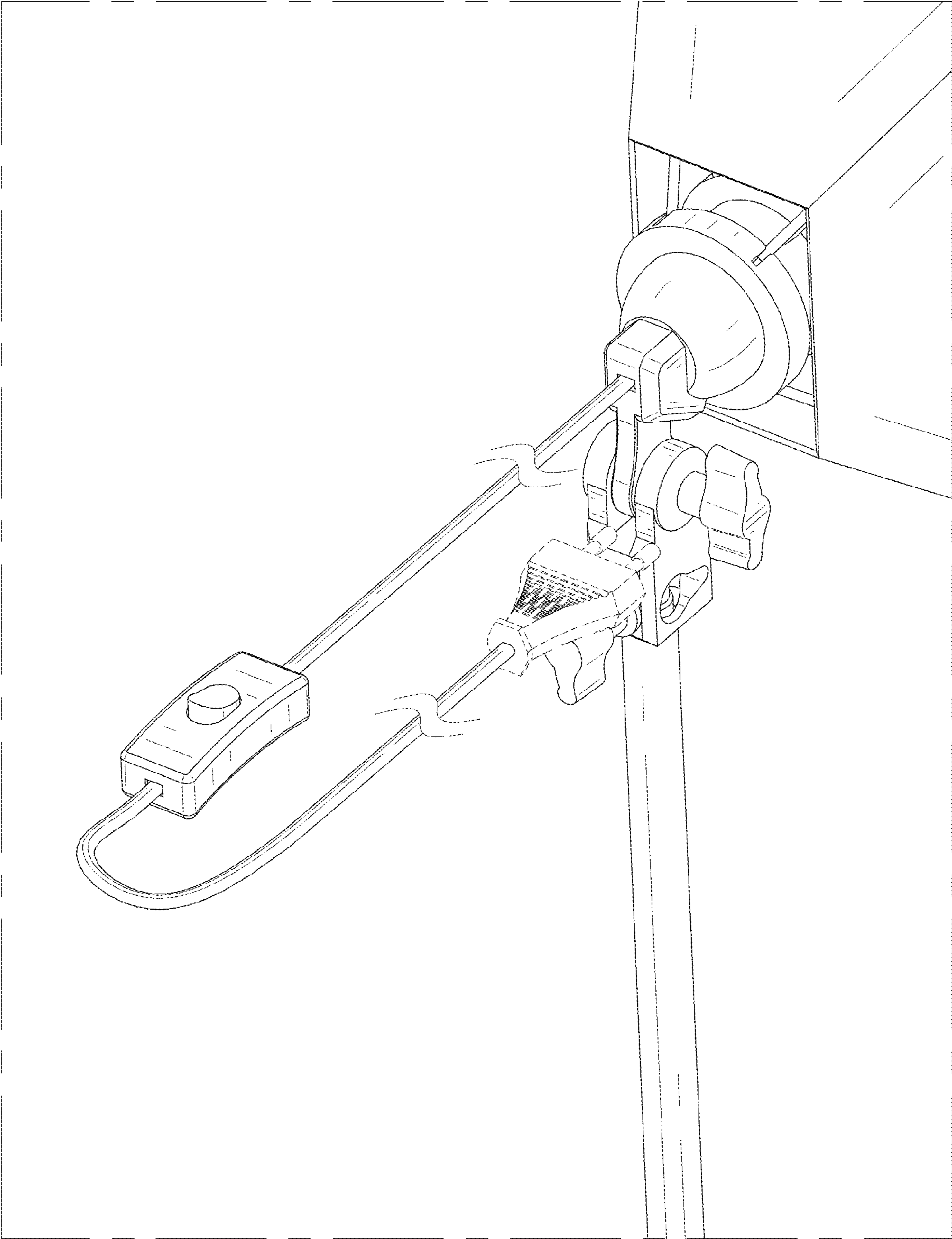


FIG. 15

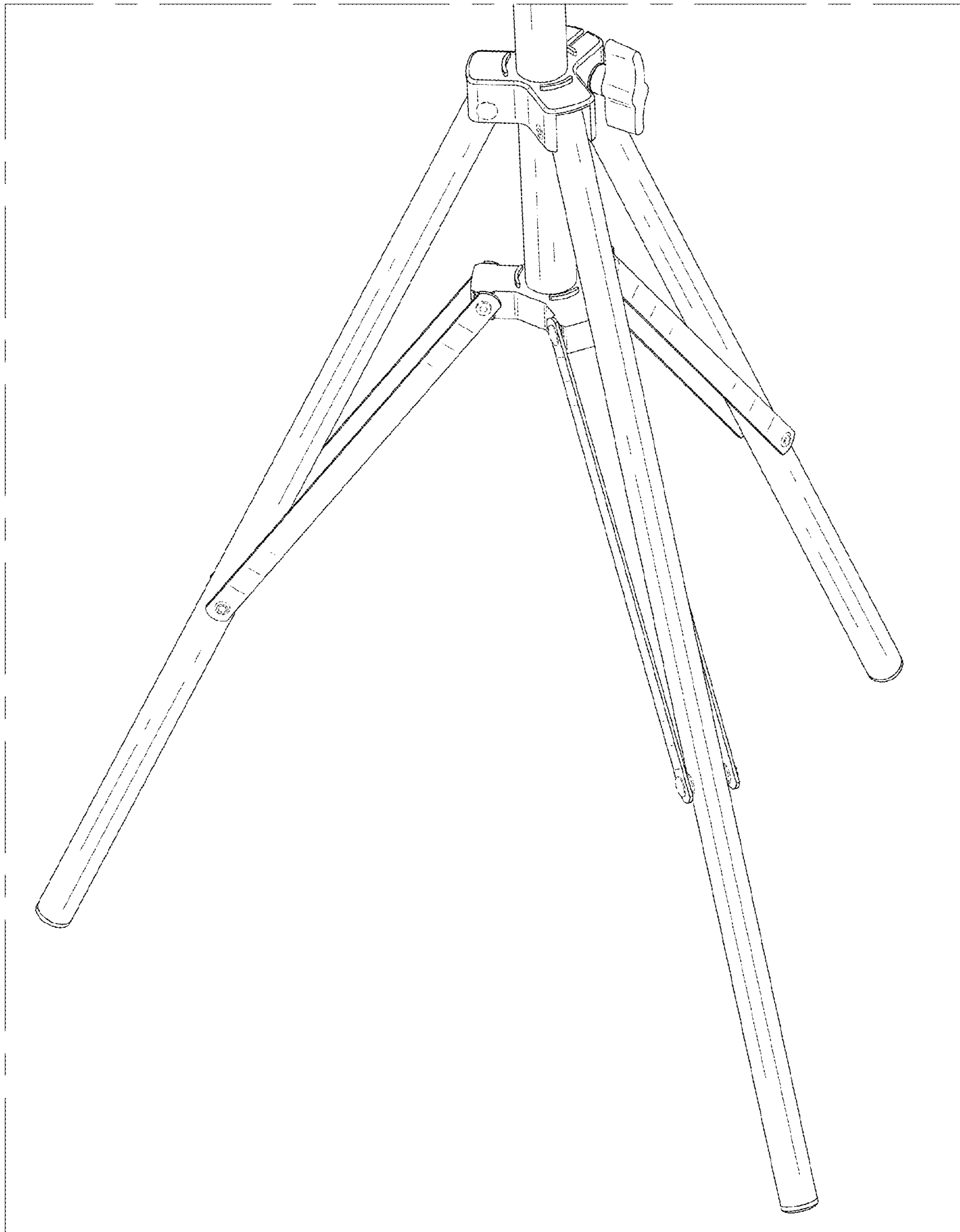


FIG. 16