



US00D881978S

(12) **United States Design Patent** (10) **Patent No.:** **US D881,978 S**  
**Tanaka et al.** (45) **Date of Patent:** **\*\* Apr. 21, 2020**

(54) **PROJECTOR**

FOREIGN PATENT DOCUMENTS

(71) Applicant: **FUJIFILM Corporation**, Tokyo (JP)

JP 1611407 S 11/2018

(72) Inventors: **Kunihiko Tanaka**, Saitama (JP); **Koji Yoshida**, Saitama (JP)

OTHER PUBLICATIONS

(73) Assignee: **FUJIFILM Corporation**, Tokyo (JP)

An Office Action; "Notification," mailed by the Japanese Patent Office dated Jun. 3, 2019, which corresponds to Japanese Design Application No. 2018-015535 and is related to Design U.S. Appl. No. 29/675,229; with English language translation. FormZeitschriftfurGestaltang, vol. 152, p. 66, (Japan Patent Office, Design Division Official Gazette No. HB08003450), Publication date: Apr. 1995.

(\*\*) Term: **15 Years**

(21) Appl. No.: **29/675,229**

(22) Filed: **Dec. 28, 2018**

\* cited by examiner

(30) **Foreign Application Priority Data**

Jul. 13, 2018 (JP) ..... 2018-015535

(51) **LOC (12) Cl.** ..... **16-02**

(52) **U.S. Cl.**  
USPC ..... **D16/235**

(58) **Field of Classification Search**  
USPC ..... D16/235, 221, 225, 229-231, 203, 208;  
353/119, 122

CPC .... G03B 21/00; G03B 21/001; G03B 21/003;  
G03B 21/12; G03B 21/14; G03B 21/142;  
G03B 21/145; G03B 21/16

See application file for complete search history.

*Primary Examiner* — Wan Laymon

(74) *Attorney, Agent, or Firm* — Studebaker & Brackett PC

(57) **CLAIM**

The ornamental design for a projector, as shown and described.

**DESCRIPTION**

FIG. 1 is a top left perspective view of a projector showing our new design;

FIG. 2 is a front view thereof;

FIG. 3 is a rear view thereof;

FIG. 4 is a top plan view thereof;

FIG. 5 is a bottom plan view thereof;

FIG. 6 is a right side view thereof; and,

FIG. 7 is a left side view thereof.

The broken lines illustrate portions of the projector and form no part of the claimed design.

The dotted-dashed lines illustrate only the boundaries between the part for which design registration is sought as a partial design and the other part.

(56) **References Cited**

U.S. PATENT DOCUMENTS

D300,535 S \* 4/1989 Sable ..... D16/221

D353,390 S \* 12/1994 Zavracky ..... D16/235

5,630,659 A \* 5/1997 Ronzani ..... G03B 21/145

353/119

6,604,831 B1 \* 8/2003 Prestigomo ..... G03B 23/00

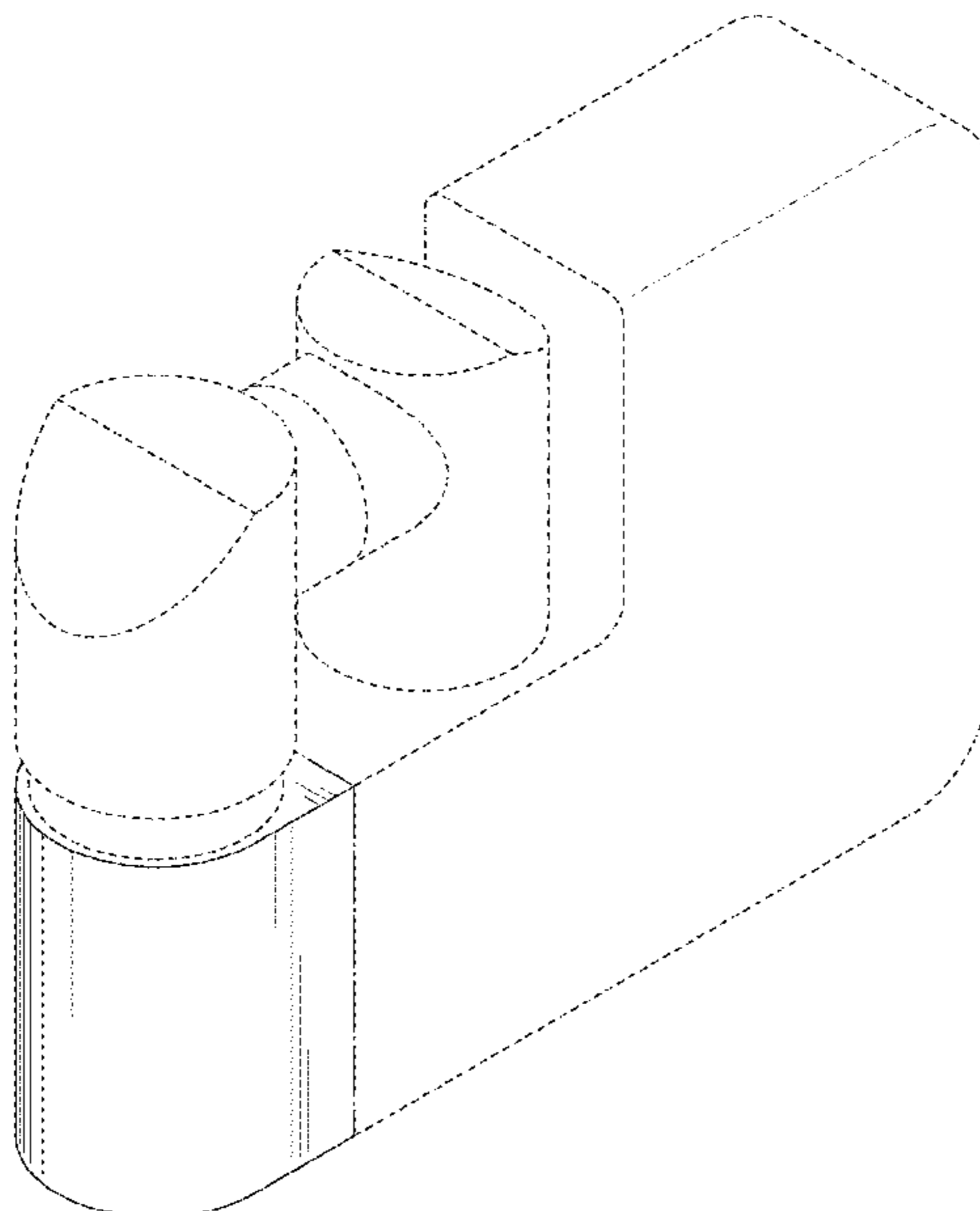
353/119

7,303,282 B2 \* 12/2007 Dwyer ..... H04N 9/3141

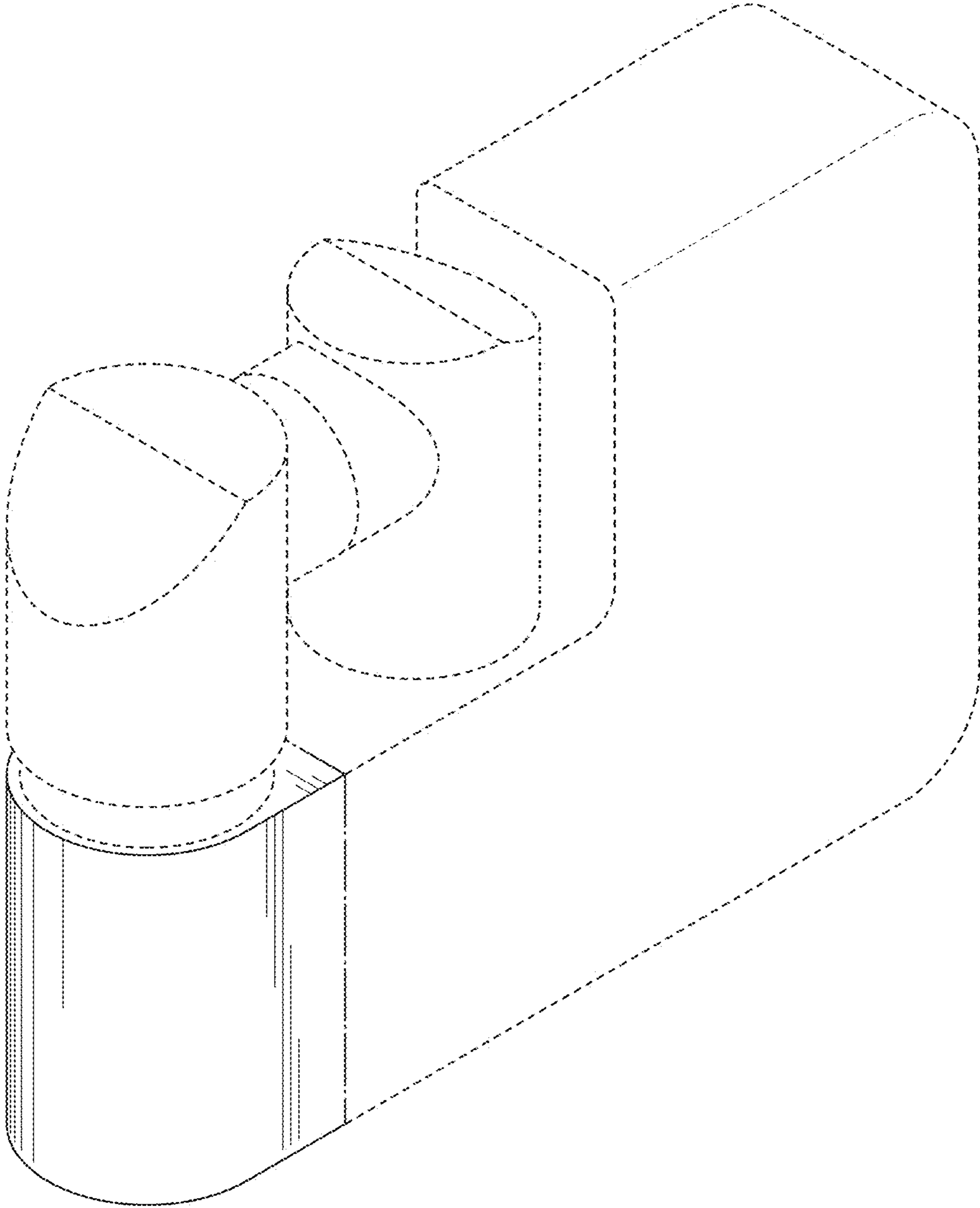
353/119

D665,442 S \* 8/2012 Tzeng ..... D16/225

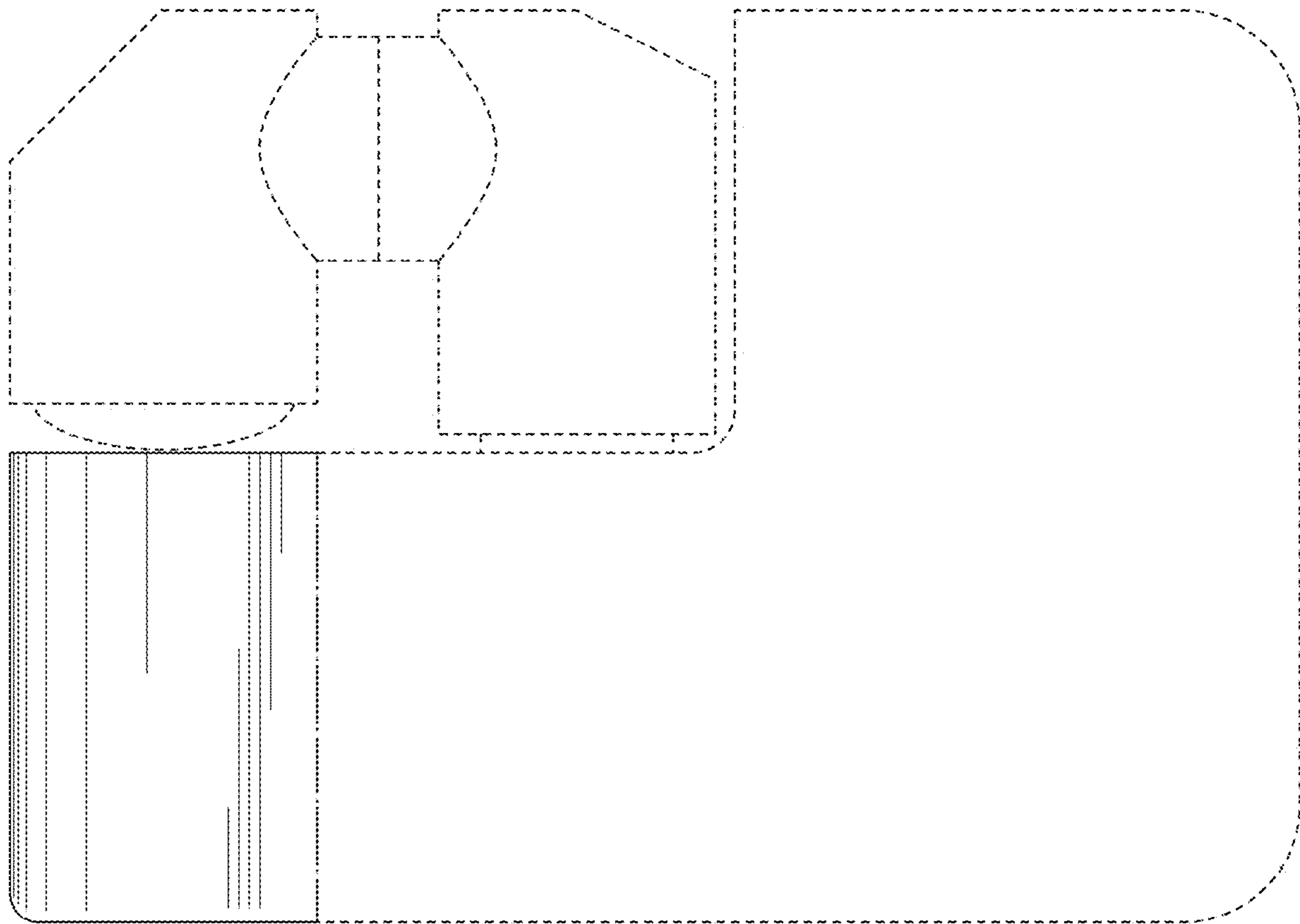
**1 Claim, 6 Drawing Sheets**



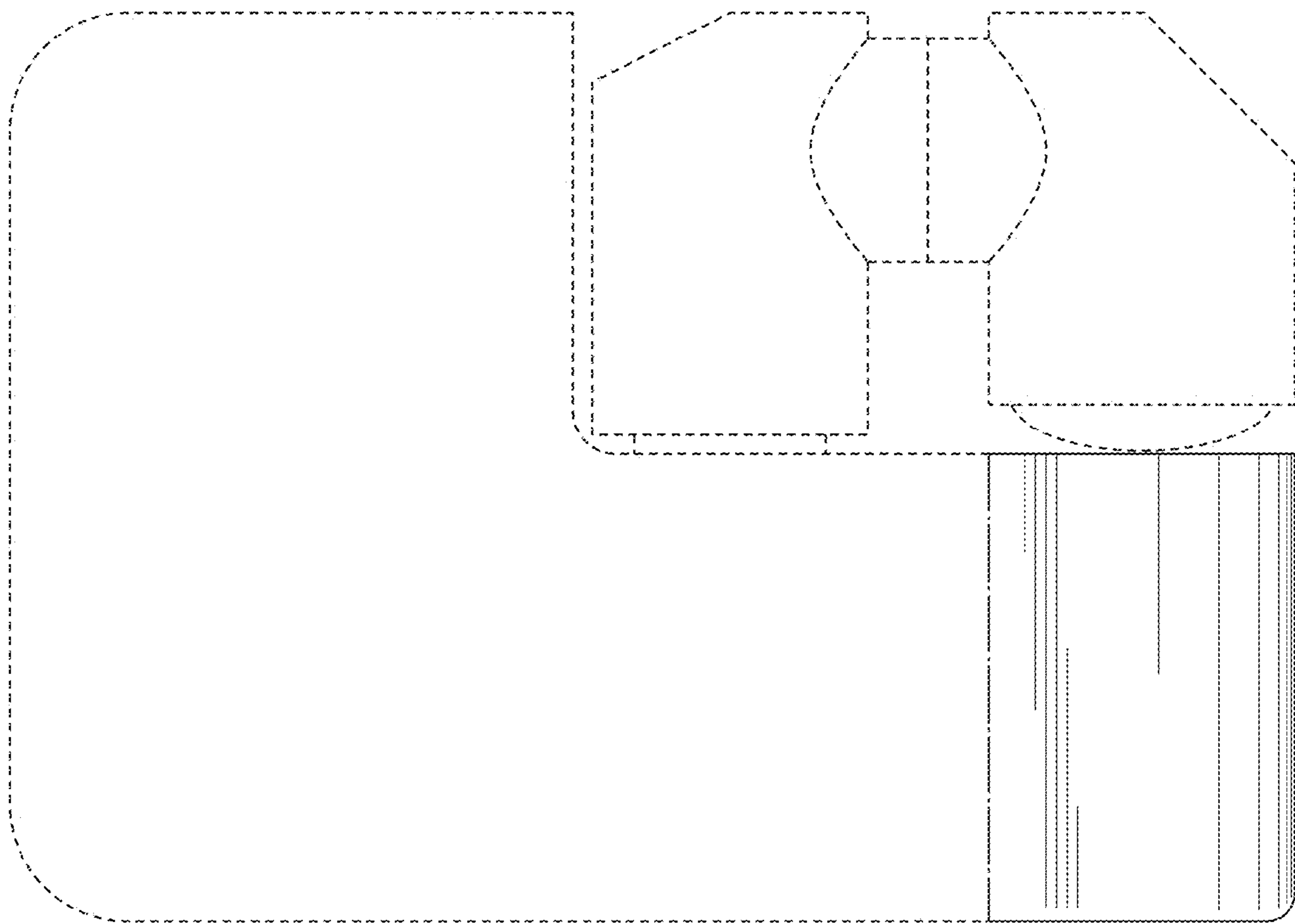
**FIG. 1**



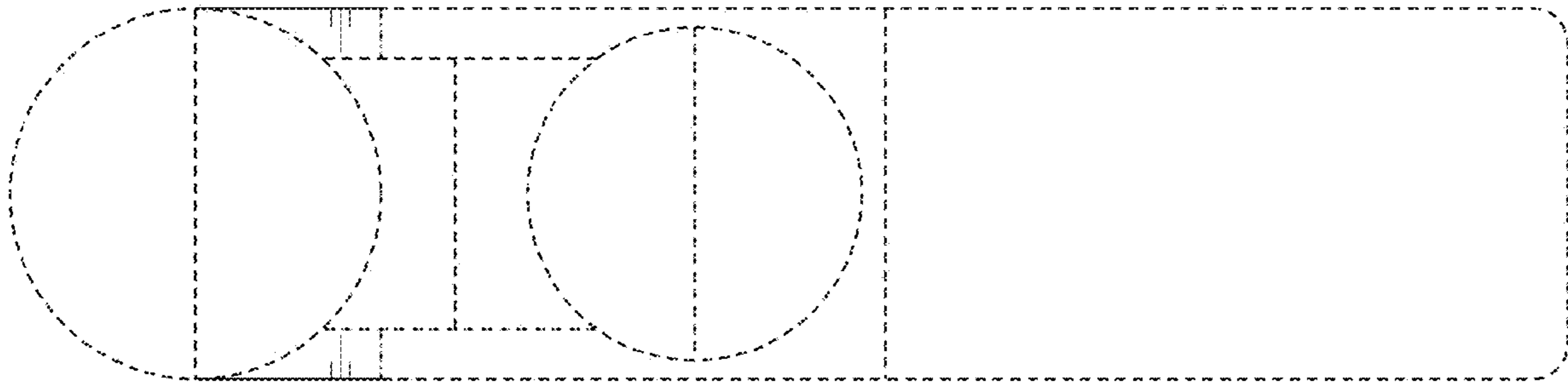
**FIG. 2**



**FIG. 3**



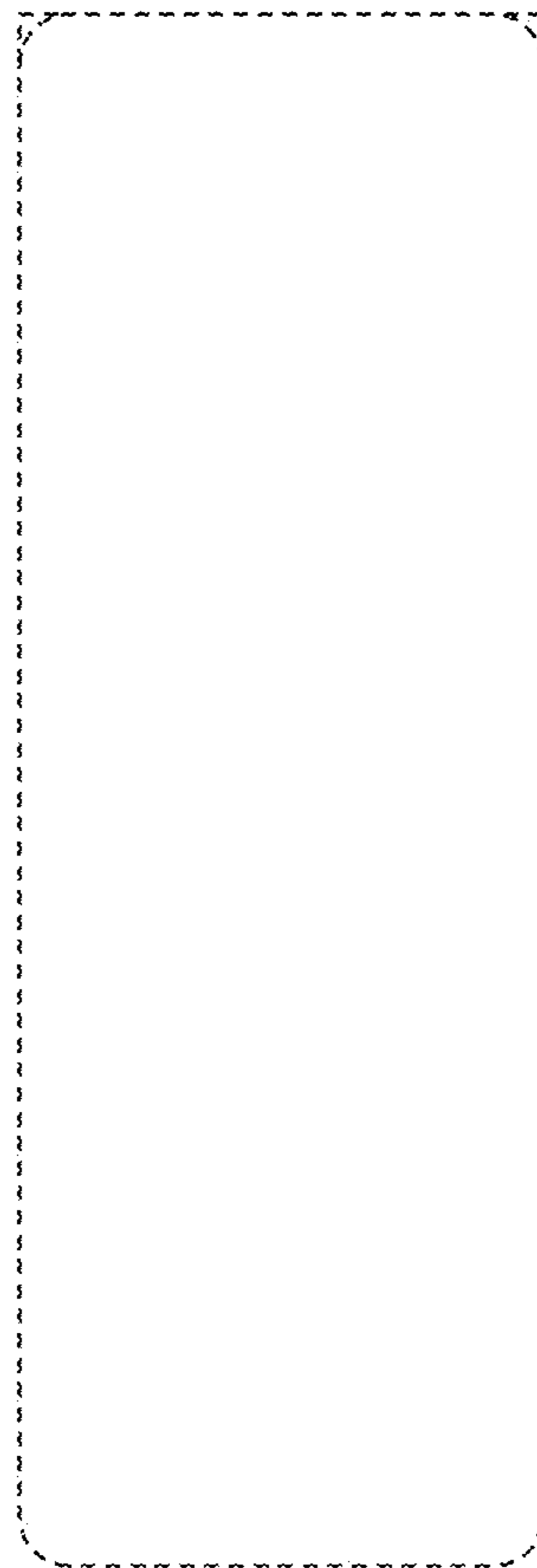
**FIG. 4**



**FIG. 5**



**FIG. 6**



**FIG. 7**

