



US00D881977S

(12) **United States Design Patent**
Tanaka et al.

(10) **Patent No.:** **US D881,977 S**

(45) **Date of Patent:** **** Apr. 21, 2020**

(54) **PROJECTOR**

(71) Applicant: **FUJIFILM Corporation**, Tokyo (JP)

(72) Inventors: **Kunihiko Tanaka**, Saitama (JP); **Koji Yoshida**, Saitama (JP)

(73) Assignee: **FUJIFILM Corporation**, Tokyo (JP)

(**) Term: **15 Years**

(21) Appl. No.: **29/674,627**

(22) Filed: **Dec. 21, 2018**

(30) **Foreign Application Priority Data**

Jul. 13, 2018 (JP) 2018-015521

(51) **LOC (12) Cl.** **16-02**

(52) **U.S. Cl.**
USPC **D16/235**

(58) **Field of Classification Search**
USPC D16/235, 221, 225, 229-231, 203, 208;
353/119, 122
CPC G03B 21/00; G03B 21/001; G03B 21/003;
G03B 21/12; G03B 21/14; G03B 21/142;
G03B 21/145; G03B 21/16
See application file for complete search history.

(56) **References Cited**

U.S. PATENT DOCUMENTS

D113,515 S *	2/1939	Kurtz et al.	D16/221
D212,309 S *	9/1968	Ralke	D16/235
D300,535 S *	4/1989	Sable	D16/221
D352,304 S *	11/1994	Zavracky	D16/235
D353,390 S *	12/1994	Zavracky	D16/235
D371,564 S *	7/1996	Sunada	D16/221
D421,269 S *	2/2000	Murakami	D16/225
6,604,831 B1 *	8/2003	Prestigomo	G03B 23/00 353/119
D569,408 S *	5/2008	Solomon	D16/229

7,670,012 B2 *	3/2010	Solomon	G03B 21/30 353/119
7,901,084 B2 *	3/2011	Willey	G03B 21/145 353/122
2007/0195294 A1 *	8/2007	Willey	G03B 21/145 353/119

FOREIGN PATENT DOCUMENTS

JP	1613726 S	11/2018
JP	1618899 S	11/2018

OTHER PUBLICATIONS

An Office Action mailed by the Japanese Patent Office dated Jul. 18, 2019, which corresponds to Japanese Design Application No. 2018-015521 and is related to Design U.S. Appl. No. 29/674,627; with English language translation. Global Sources Electronics, Issue 7, vol. 37, p. 103, (Japan Patent Office, Design Division Official Gazette No. HB22004404), dated Mar. 2010.

* cited by examiner

Primary Examiner — Wan Laymon

(74) *Attorney, Agent, or Firm* — Studebaker & Brackett PC

(57) **CLAIM**

The ornamental design for a projector, as shown and described.

DESCRIPTION

FIG. 1 is a top left perspective view of a projector showing our new design;
FIG. 2 is a front view thereof;
FIG. 3 is a rear view thereof;
FIG. 4 is a top plan view thereof;
FIG. 5 is a bottom plan view thereof;
FIG. 6 is a right side view thereof; and,
FIG. 7 is a left side view thereof.
The broken lines illustrate portions of the projector and form no part of the claimed design.

1 Claim, 6 Drawing Sheets

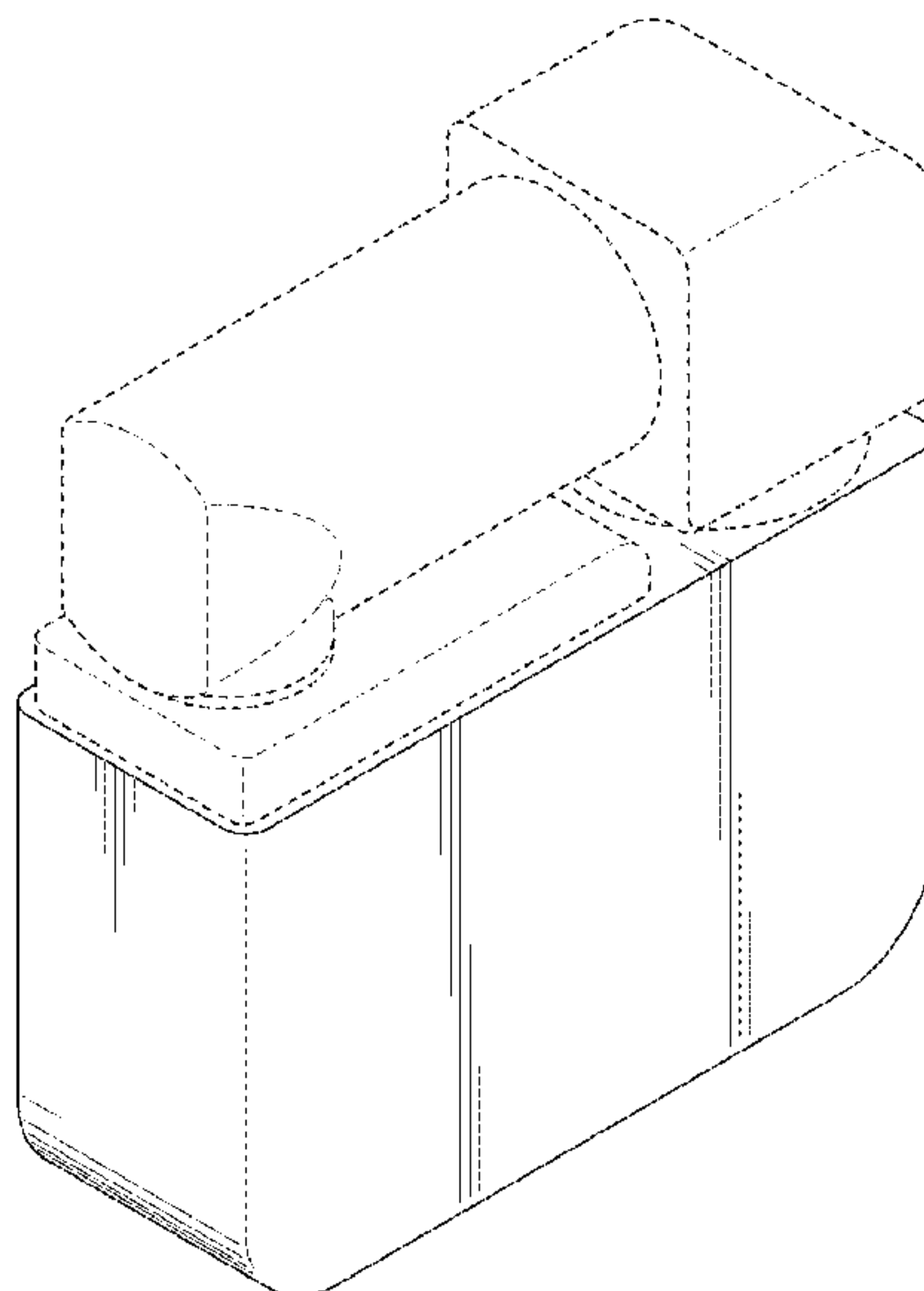


FIG. 1

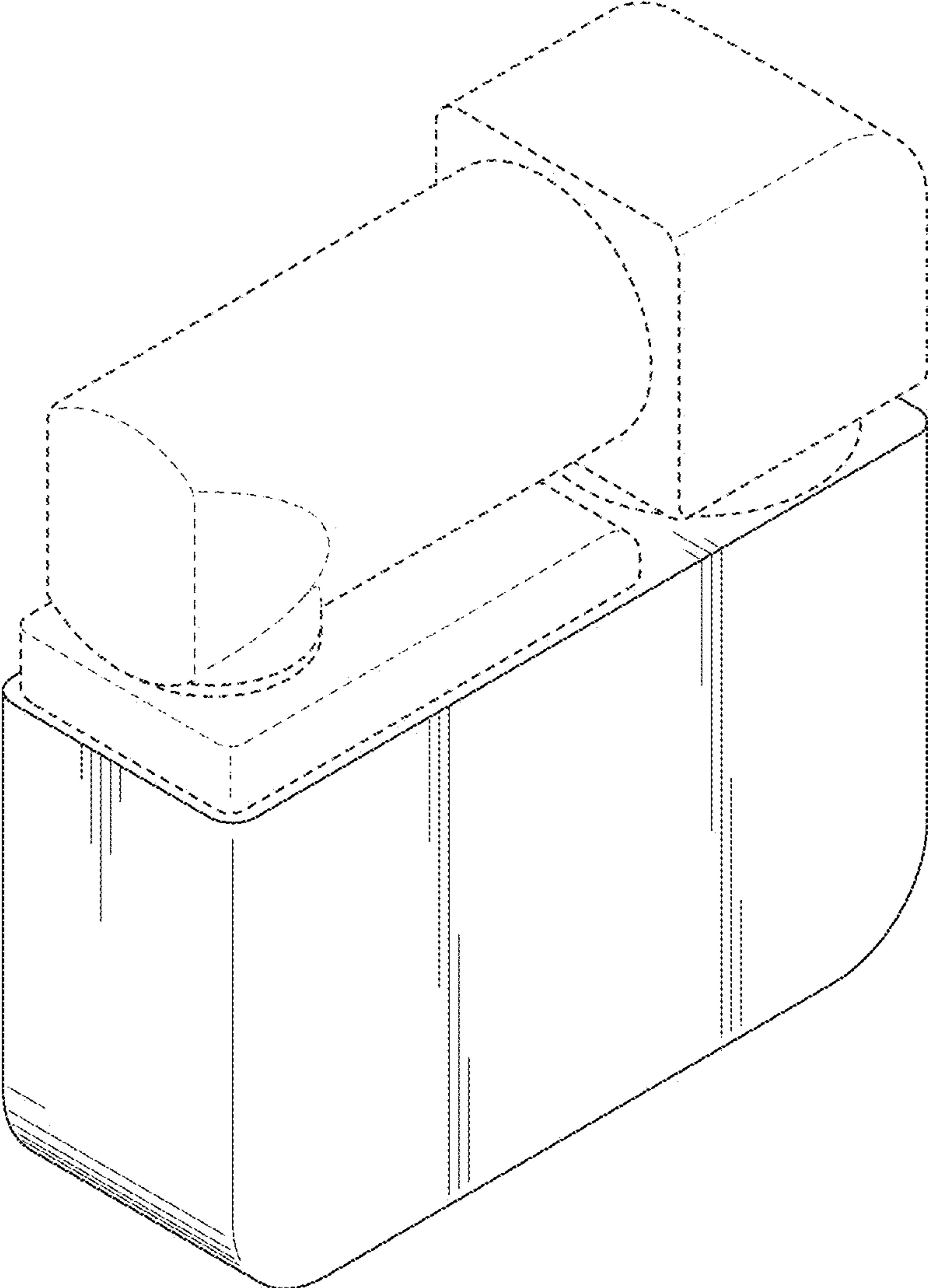


FIG. 2

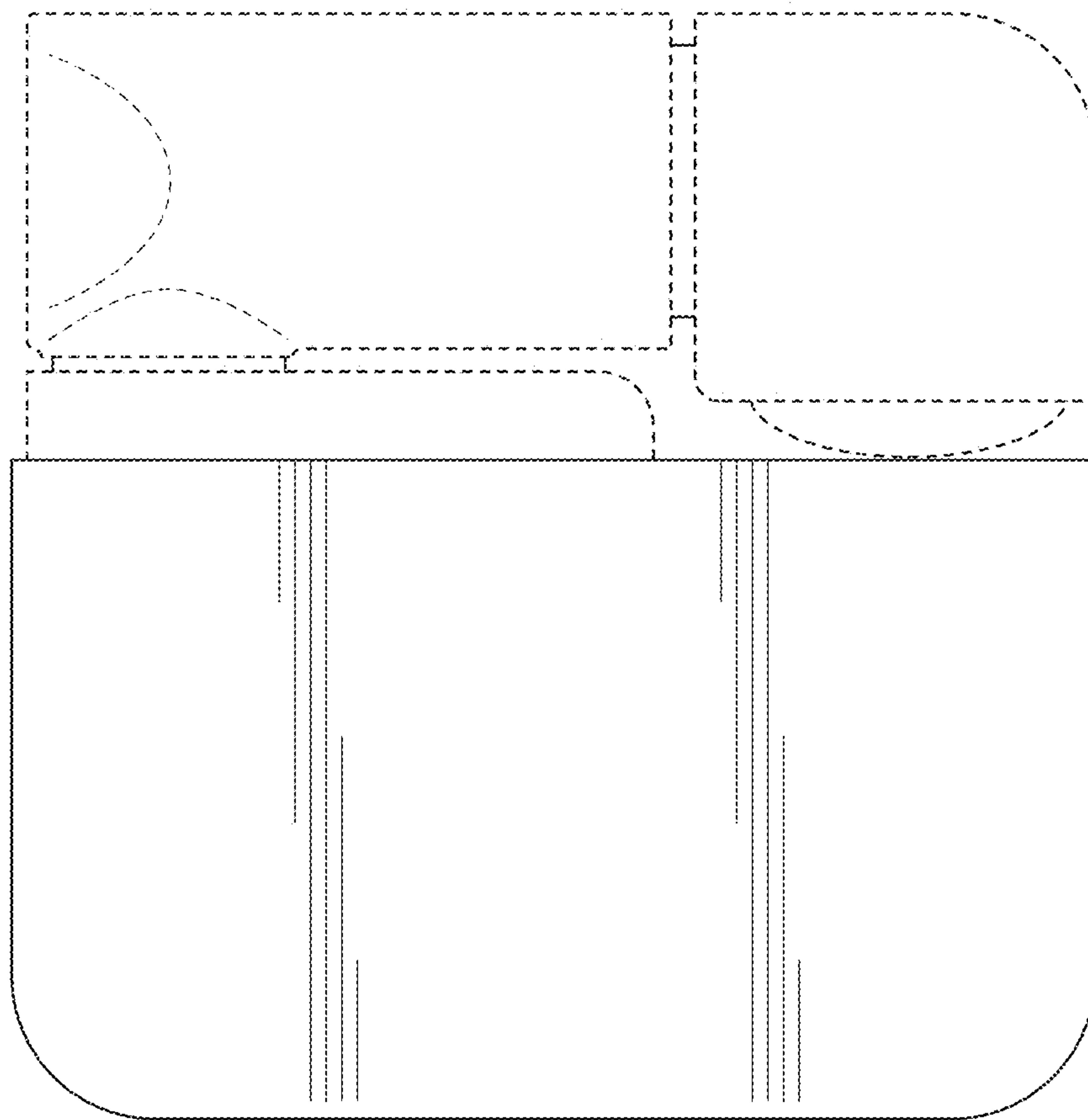


FIG. 3

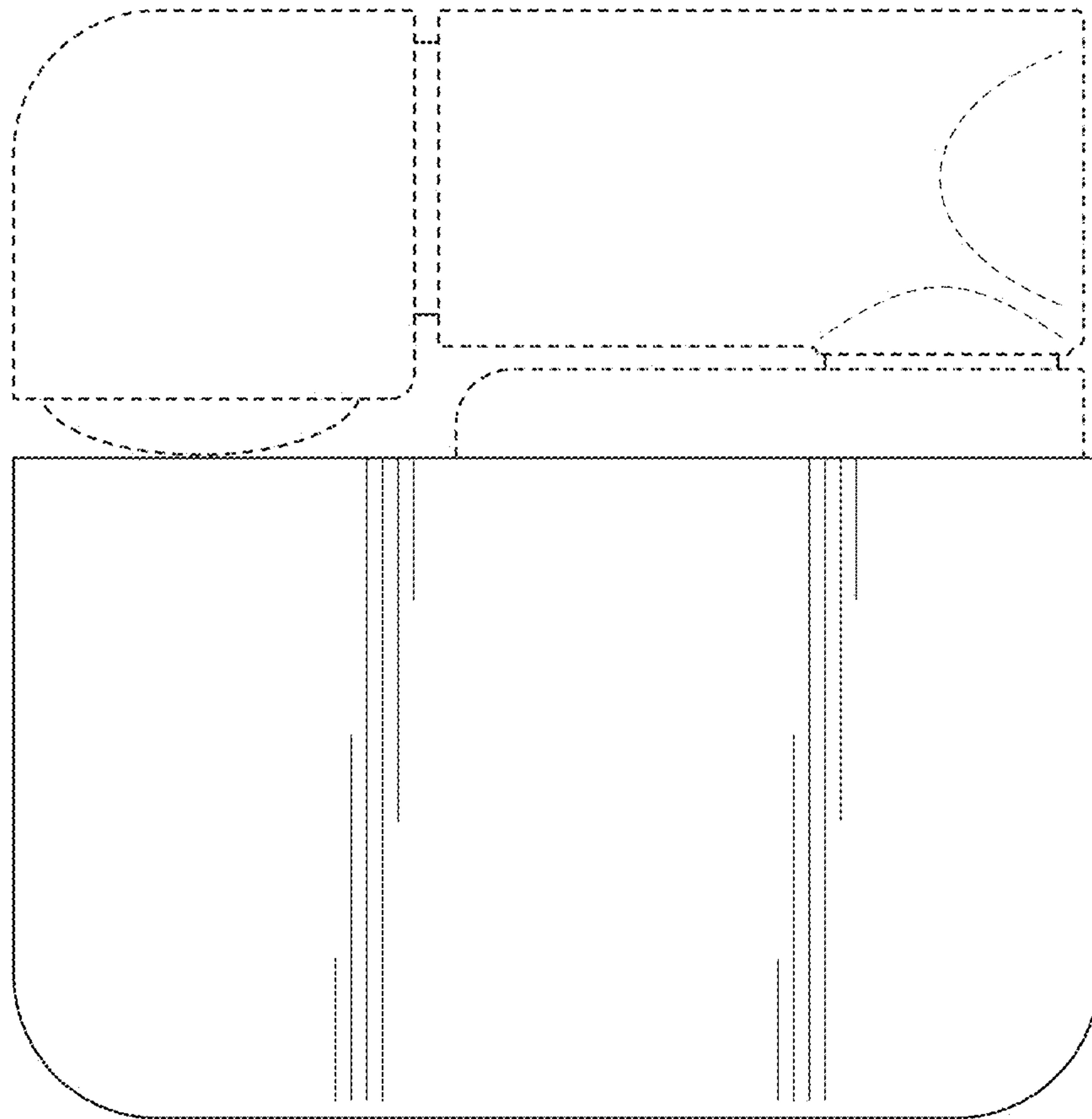


FIG. 4

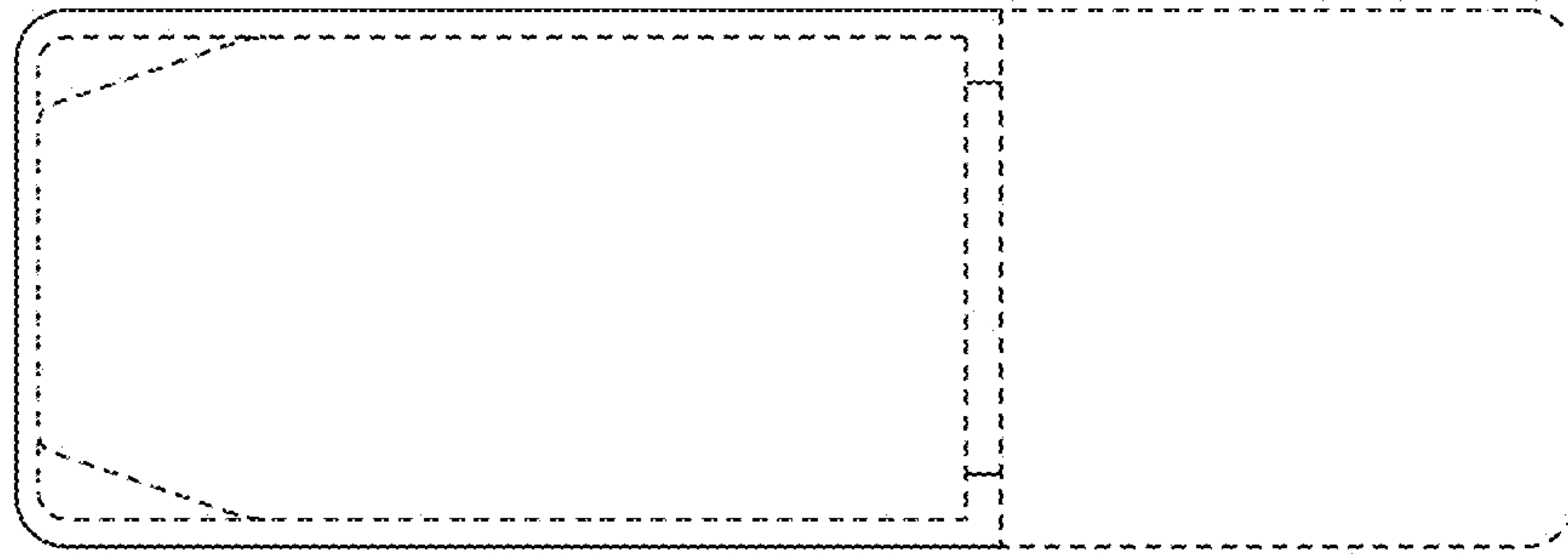


FIG. 5

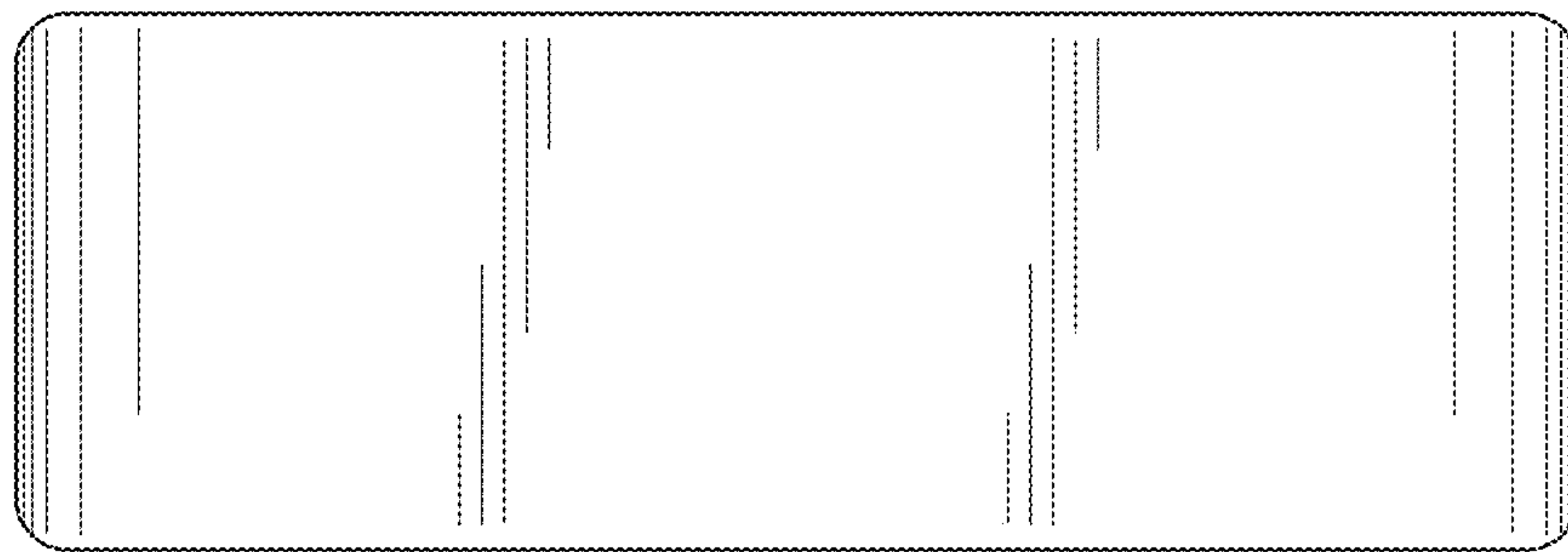


FIG. 6

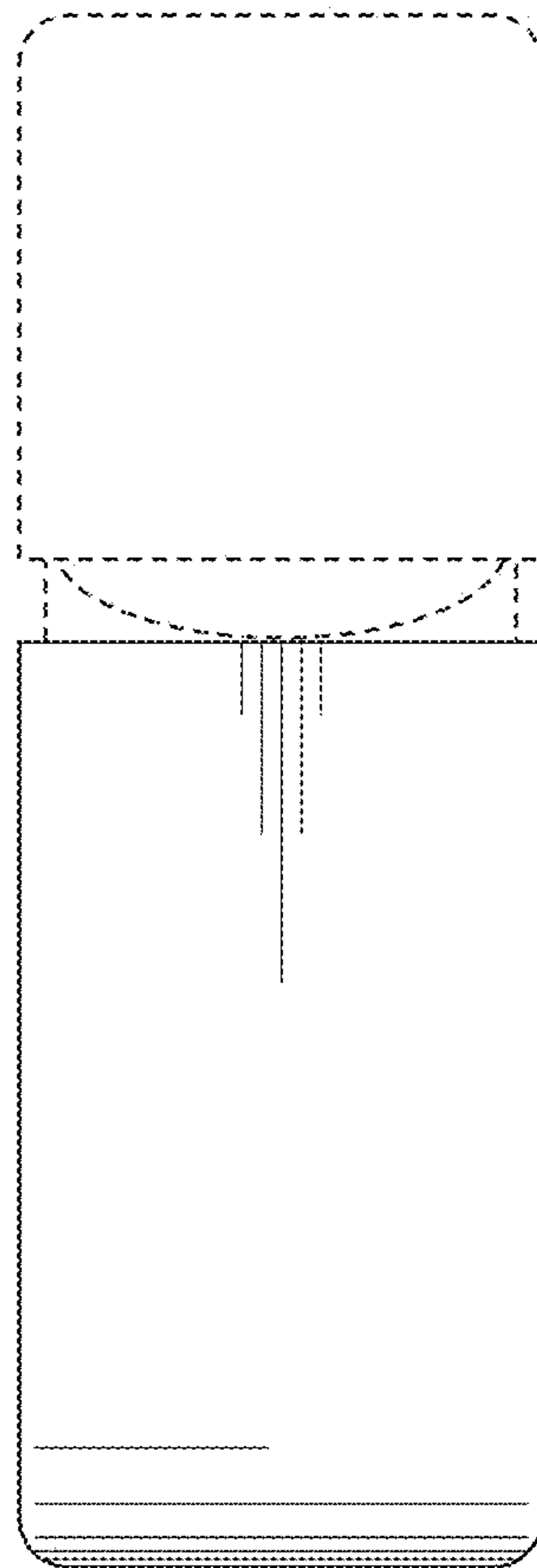


FIG. 7

