



US00D881975S

(12) **United States Design Patent** (10) **Patent No.:** **US D881,975 S**
Liu (45) **Date of Patent:** **** Apr. 21, 2020**

(54) **CAMERA**
(71) Applicant: **HANGZHOU HIKVISION DIGITAL TECHNOLOGY CO., LTD.,**
Hangzhou, Zhejiang (CN)
(72) Inventor: **Yao Liu, Zhejiang (CN)**
(73) Assignee: **HANGZHOU HIKVISION DIGITAL TECHNOLOGY CO., LTD.,**
Hangzhou, Zhejiang
(**) Term: **15 Years**

(21) Appl. No.: **29/642,313**
(22) Filed: **Mar. 28, 2018**

(30) **Foreign Application Priority Data**
Sep. 30, 2017 (CN) 2017 3 0474501

(51) **LOC (12) Cl.** **16-05**
(52) **U.S. Cl.**
USPC **D16/219**

(58) **Field of Classification Search**
USPC D16/200, 202-206, 218, 219, 242;
348/143, 148, 151, 373-376; 396/419,
396/427, 535, 539-541
CPC G03B 17/02; G03B 19/04; G03B 17/56;
G03B 17/04; G03B 15/03; H04N 5/2251;
H04N 5/2252; H04N 5/2253; H04N
5/2254; H04N 7/181; H04N 7/183; H04N
7/18; G08B 13/1963; G08B 13/19619;
G08B 13/19632; F16M 11/04; F16M
13/00
See application file for complete search history.

(56) **References Cited**
U.S. PATENT DOCUMENTS

D694,306 S * 11/2013 Katori D16/203
D721,755 S * 1/2015 Åhman D16/203

D745,916 S * 12/2015 Oh D16/134
D758,470 S * 6/2016 Kircher D16/215
D791,849 S * 7/2017 Zhang D16/203
D793,464 S * 8/2017 Donaldson D16/203
D798,934 S * 10/2017 Wu D16/203
D801,407 S * 10/2017 Kullgren D16/203
D811,462 S * 2/2018 Axelsson et al.
D814,544 S * 4/2018 Moon D16/203
D815,926 S * 4/2018 Lee D7/682
D816,755 S * 5/2018 Barnekow D16/203
D817,378 S * 5/2018 Persson et al.
D823,919 S * 7/2018 Persson et al.
D829,259 S * 9/2018 Persson et al.
D837,148 S * 1/2019 Brown D13/108
D837,863 S * 1/2019 Persson et al.
D839,338 S * 1/2019 Persson et al.
2017/0104908 A1 * 4/2017 Mukai G03B 17/02

* cited by examiner

Primary Examiner — Ramzi S Almatrahi
(74) *Attorney, Agent, or Firm* — David W. Carstens;
James D. Tuck; Carstens & Cahoon, LLP

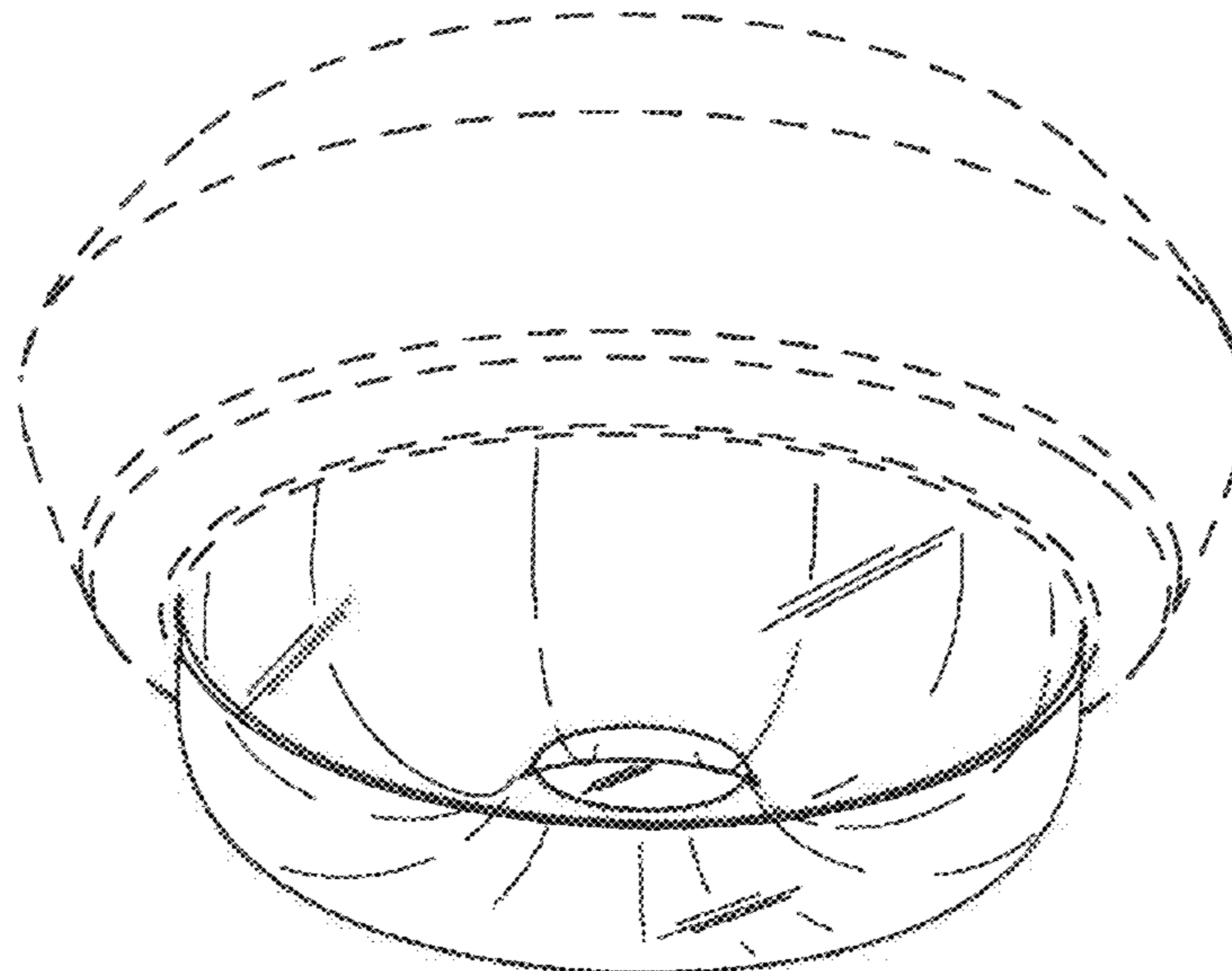
(57) **CLAIM**

The ornamental design for a camera, as shown and described.

DESCRIPTION

FIG. 1 is a front view of a camera according to our new design;
FIG. 2 is a back view of the camera shown in FIG. 1;
FIG. 3 is a left view of the camera shown in FIG. 1;
FIG. 4 is a right view of the camera shown in FIG. 1;
FIG. 5 is a top view of the camera shown in FIG. 1;
FIG. 6 is a bottom view of the camera shown in FIG. 1; and,
FIG. 7 is a perspective view of the camera shown in FIG. 1.
The broken lines depict portions of the camera in which the design is embodied that form no part of the claimed design.

1 Claim, 3 Drawing Sheets



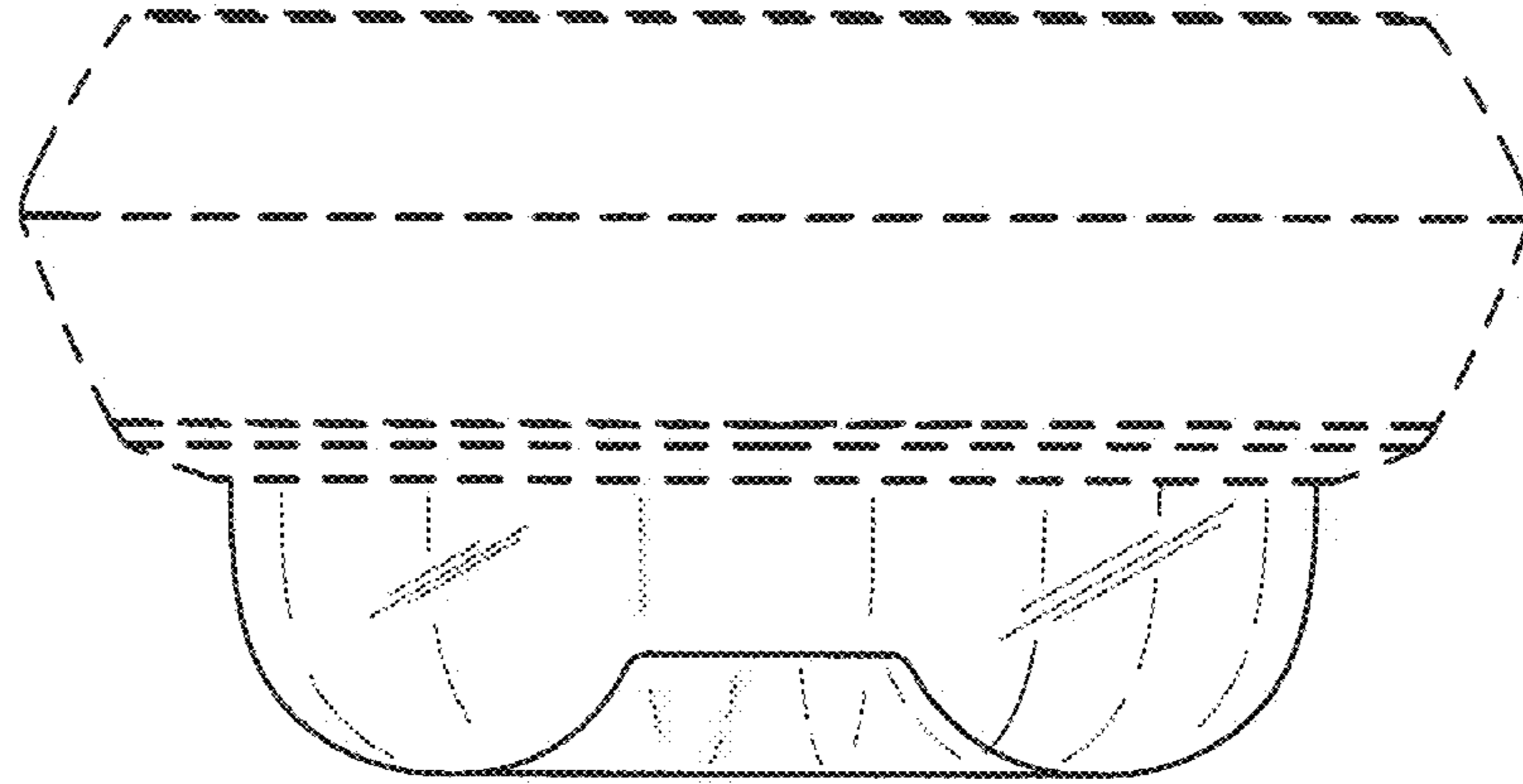


FIG. 1

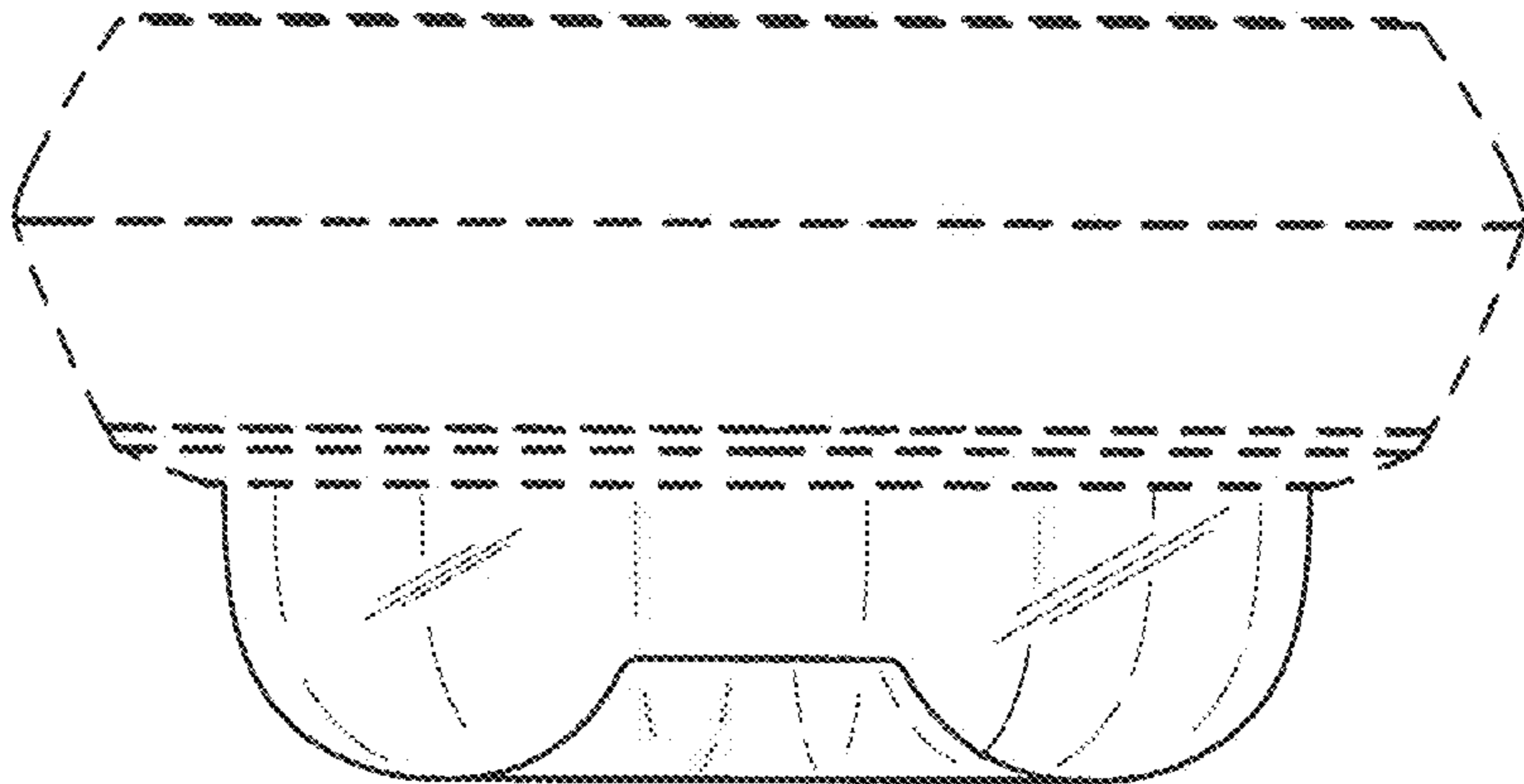


FIG. 2

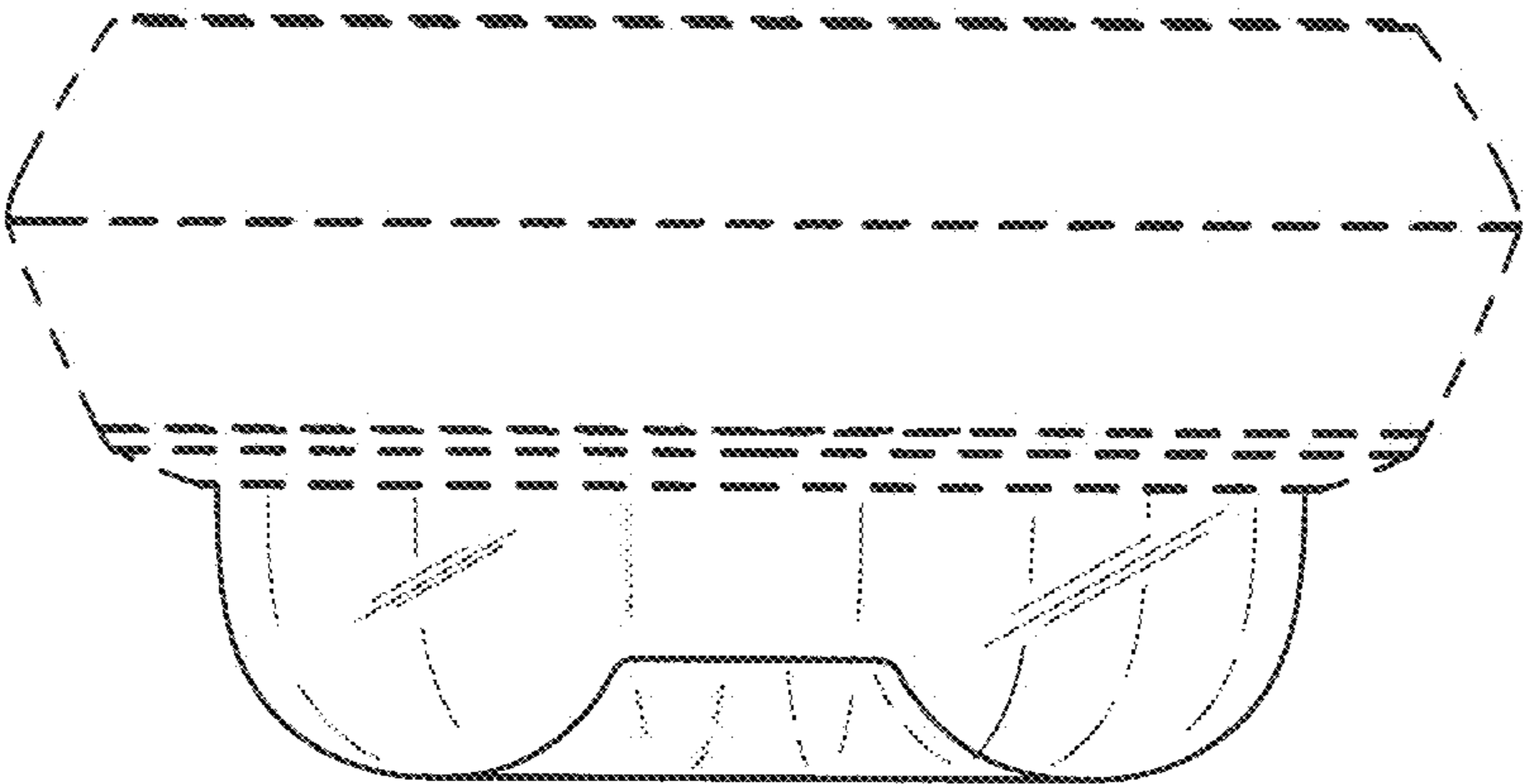


FIG. 3

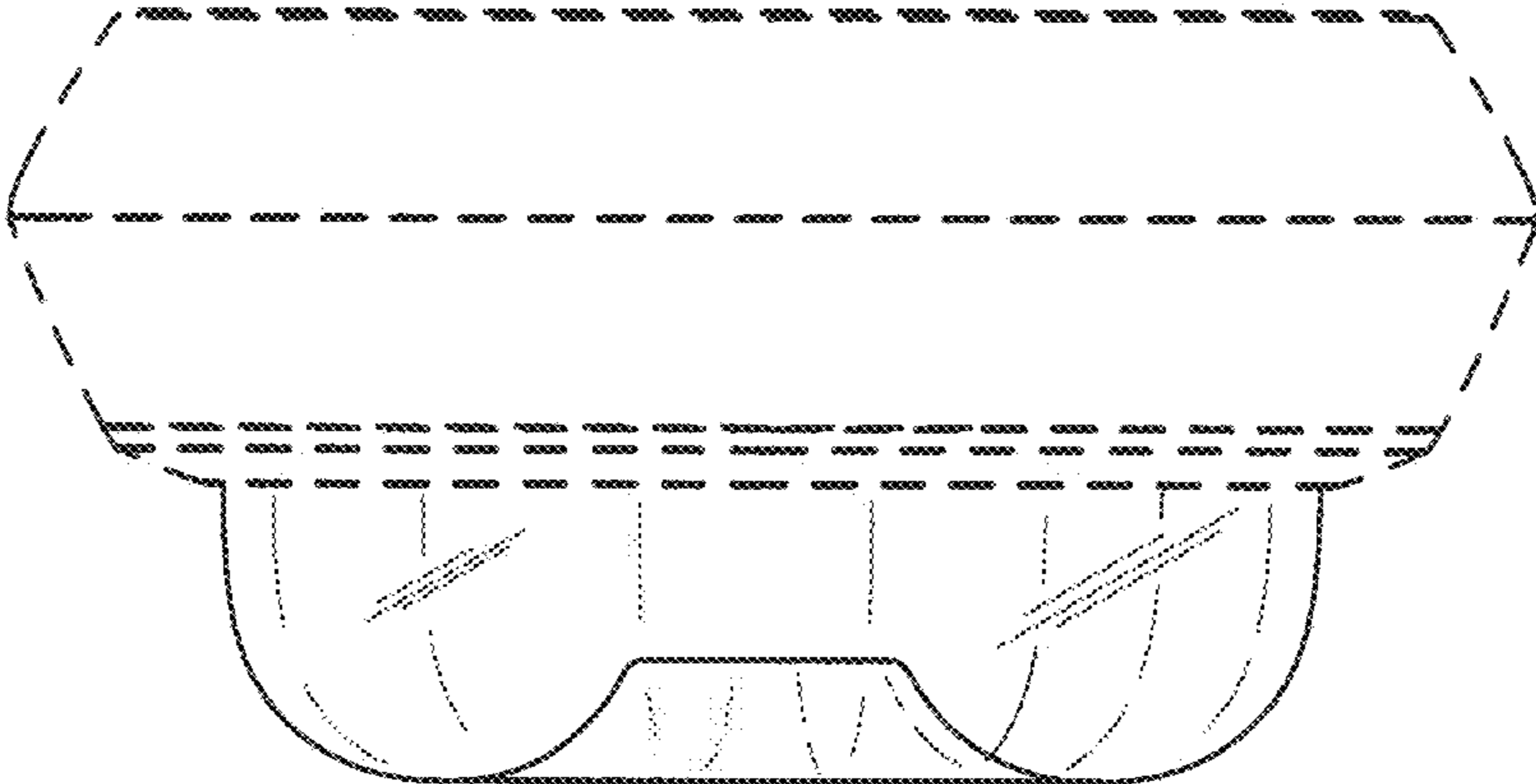


FIG. 4

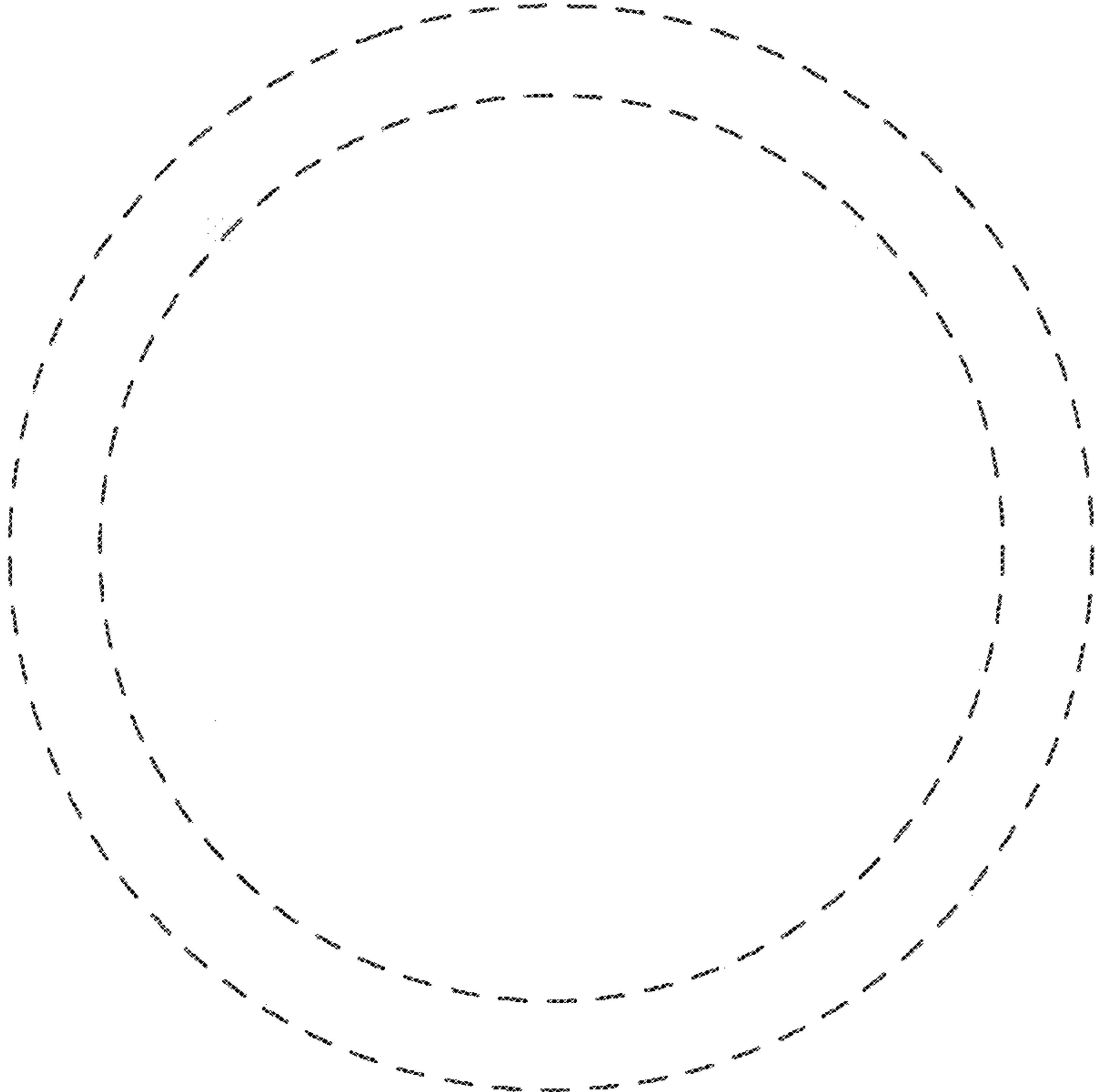


FIG. 5

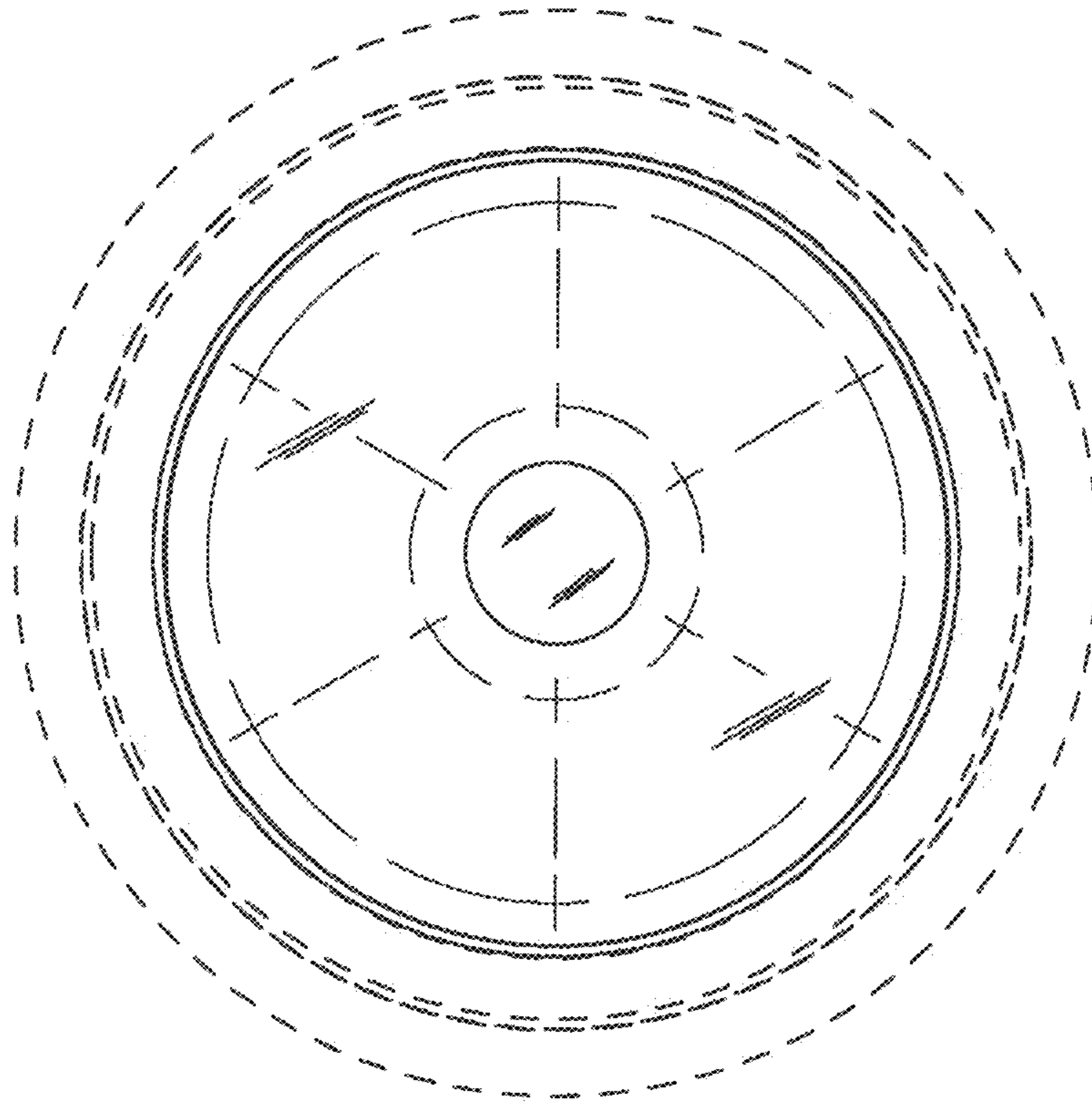


FIG. 6

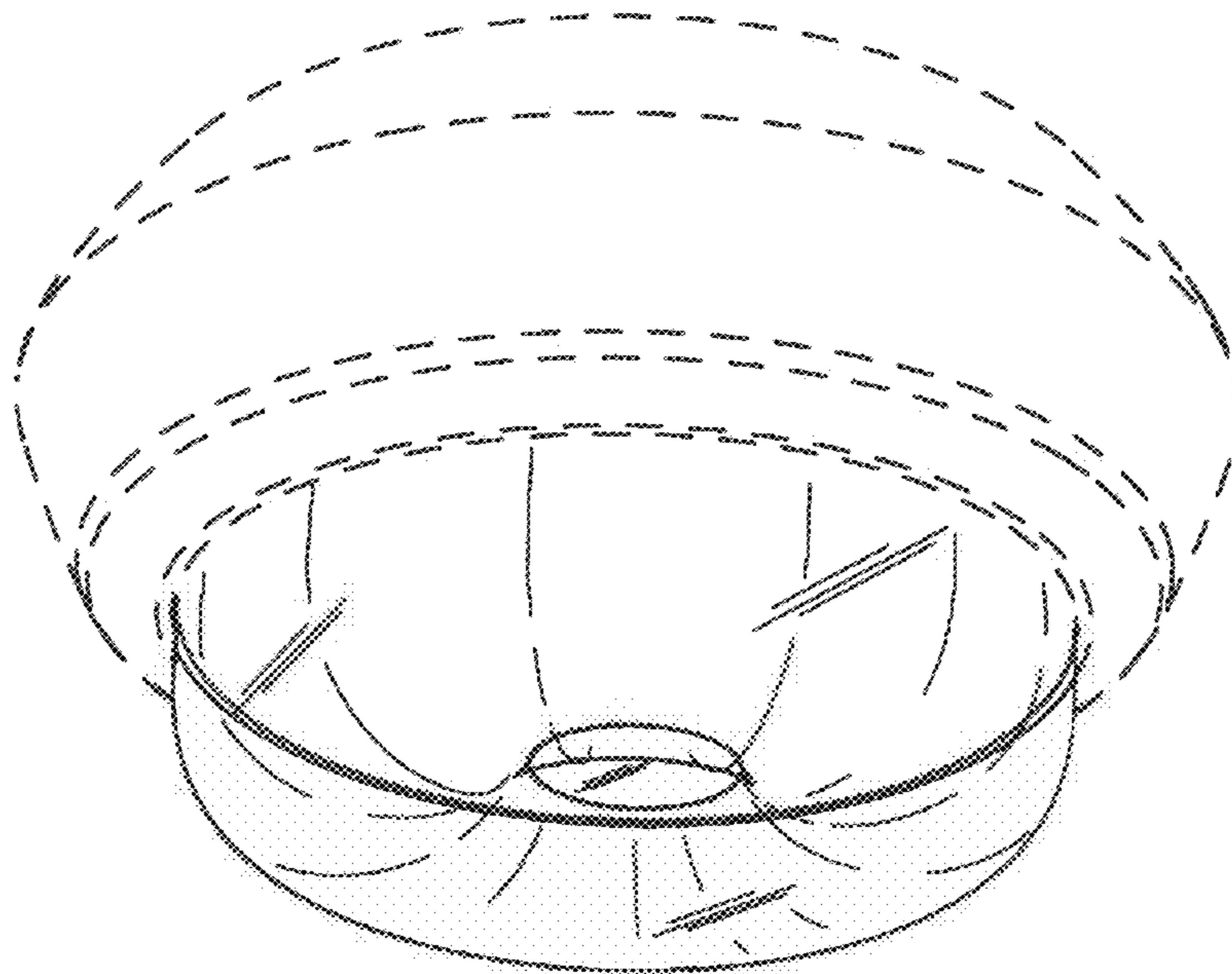


FIG. 7