



US00D881974S

(12) **United States Design Patent**
Nguyen et al.

(10) **Patent No.:** **US D881,974 S**
(45) **Date of Patent:** **** Apr. 21, 2020**

(54) **CAMERA**

- (71) Applicant: **GoPro, Inc.**, San Mateo, CA (US)
- (72) Inventors: **Huy Phuong Nguyen**, San Mateo, CA (US); **Richard Gioscia**, Santa Clara, CA (US); **Quinn Jerome Odette Fitzgerald**, San Francisco, CA (US); **William Duncan Webb, II**, San Francisco, CA (US)
- (73) Assignee: **GoPro, Inc.**, San Mateo, CA (US)
- (**) Term: **15 Years**
- (21) Appl. No.: **29/626,785**
- (22) Filed: **Nov. 20, 2017**

Related U.S. Application Data

- (63) Continuation of application No. 29/607,923, filed on Jun. 16, 2017, now Pat. No. Des. 805,117, which is a continuation of application No. 29/576,703, filed on Sep. 6, 2016, now Pat. No. Des. 790,002, which is a continuation of application No. 29/545,934, filed on Nov. 17, 2015, now Pat. No. Des. 769,346.
- (51) **LOC (12) Cl.** **16-05**
- (52) **U.S. Cl.**
USPC **D16/219**
- (58) **Field of Classification Search**
USPC D16/200, 202–206, 208–209, 212, 218, D16/219; 348/373–376; 396/448, 535, 396/539–541
CPC G03B 15/03; G03B 17/02; G03B 17/04; G03B 17/56; G03B 19/04; H04N 5/2251; H04N 5/2252; H04N 5/2253; H04N 5/2254; H04N 2101/00

See application file for complete search history.

(56) **References Cited**

U.S. PATENT DOCUMENTS

D392,659 S	3/1998	Takano
D407,098 S	3/1999	Goto
D487,765 S	3/2004	Dow
D647,554 S	10/2011	Yim
8,544,643 B2	10/2013	Yim
D710,922 S	8/2014	Gioscia
D721,395 S	1/2015	Woodman
D725,169 S	3/2015	Gioscia
D732,593 S	6/2015	Woodman
D734,799 S	7/2015	Woodman
D737,879 S	9/2015	Woodman
D739,451 S	9/2015	Gioscia
D742,952 S	11/2015	Nakajima

(Continued)

Primary Examiner — Ramzi S Almatrahi

(74) *Attorney, Agent, or Firm* — Young Basile Hanlon & MacFarlane, P.C.

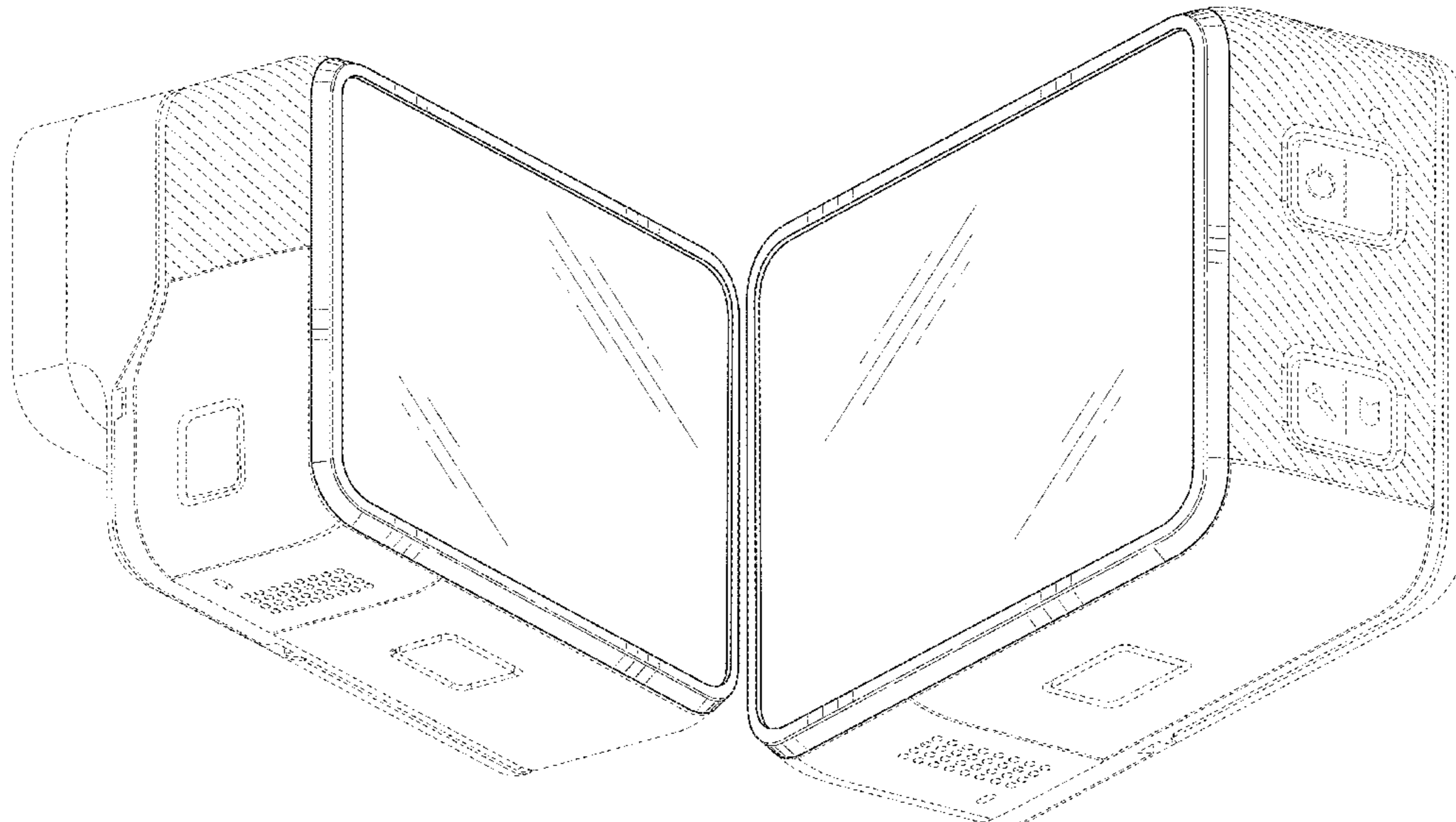
(57) **CLAIM**

The ornamental design for a camera, as shown and described.

DESCRIPTION

FIG. 1 is a front, top, and left side perspective view of a camera showing our new design;
 FIG. 2 is a rear, bottom, and right side perspective view thereof;
 FIG. 3 is a front, top, and right side perspective view thereof;
 FIG. 4 is a rear, bottom, and left side perspective view thereof;
 FIG. 5 is a front elevational view thereof;
 FIG. 6 is a rear elevational view thereof;
 FIG. 7 is a left side elevational view thereof;
 FIG. 8 is a right side elevational view thereof;
 FIG. 9 is a top plan view thereof; and,
 FIG. 10 is a bottom plan view thereof.
 The broken lines in the drawings showing portions of the camera form no part of the claimed design.

1 Claim, 9 Drawing Sheets



(56)

References Cited

U.S. PATENT DOCUMENTS

D750,146 S	2/2016	Costa	
D750,680 S	3/2016	Chen	
D750,686 S	3/2016	Chen	
D751,131 S	3/2016	Woodman	
D753,749 S	4/2016	Zhu	
D755,270 S	5/2016	Vehlewald	
D755,874 S	5/2016	Yang	
D758,467 S	6/2016	Zhang	
D760,309 S	6/2016	Parfitt	
D766,351 S *	9/2016	Li	D16/202
D772,966 S	11/2016	Ye Song	
D773,546 S *	12/2016	Nguyen	D16/218
D775,254 S	12/2016	Parfitt	
D785,692 S	5/2017	Wang	
D789,435 S	6/2017	Nguyen	
D790,001 S	6/2017	Parfitt	
D790,002 S	6/2017	Nguyen	
D791,211 S	7/2017	Fujita	
D793,463 S	8/2017	Houin	
D800,202 S *	10/2017	Hu	D16/218
D803,925 S *	11/2017	Hoshi	D16/218
D816,753 S *	5/2018	Zhang	D16/202
D820,335 S *	6/2018	Fave	D16/202
D821,480 S *	6/2018	Gioscia	D16/219
D832,905 S *	11/2018	Liu	D16/202
D833,505 S *	11/2018	Hu	D16/218
D836,696 S *	12/2018	Zhang	D16/202

* cited by examiner

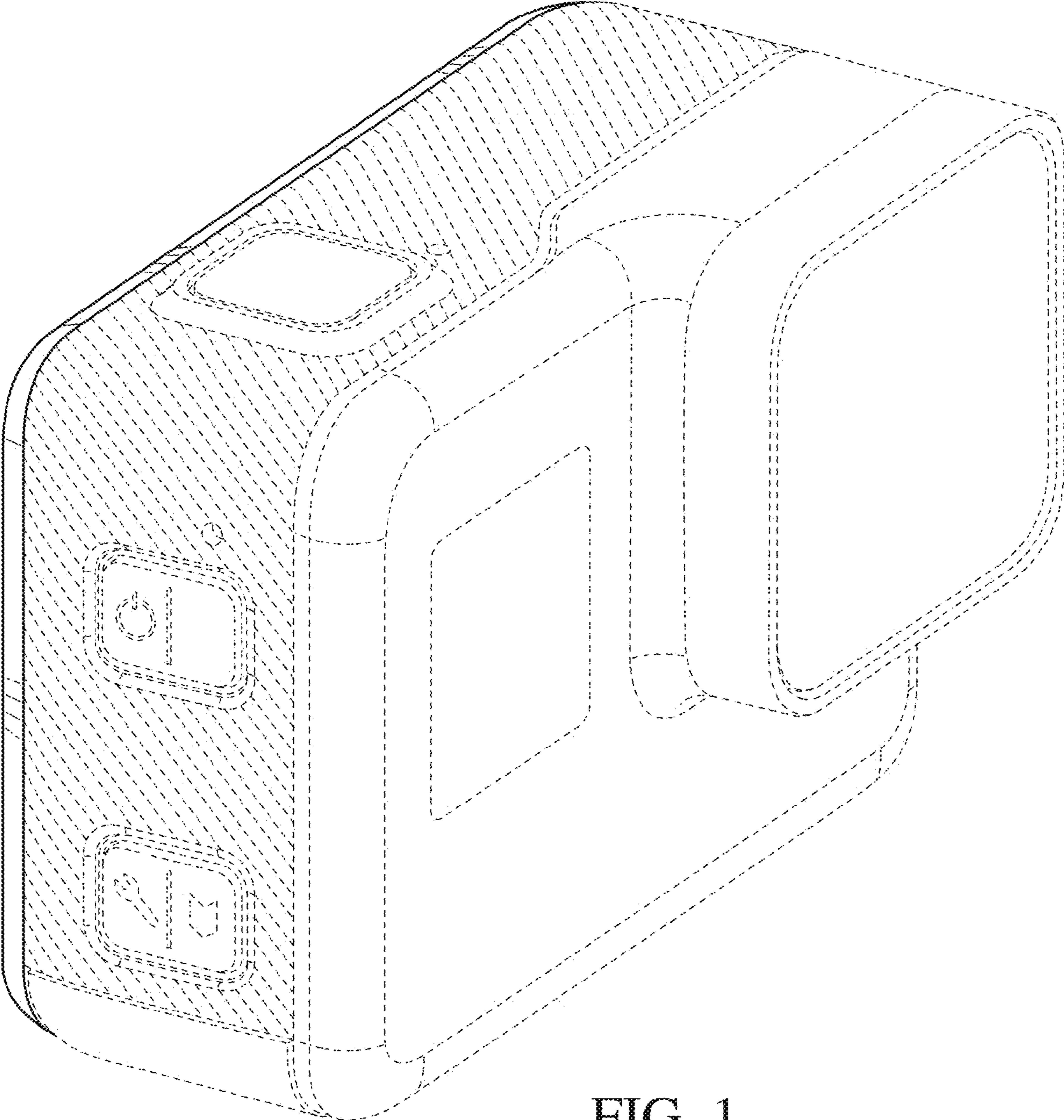


FIG. 1

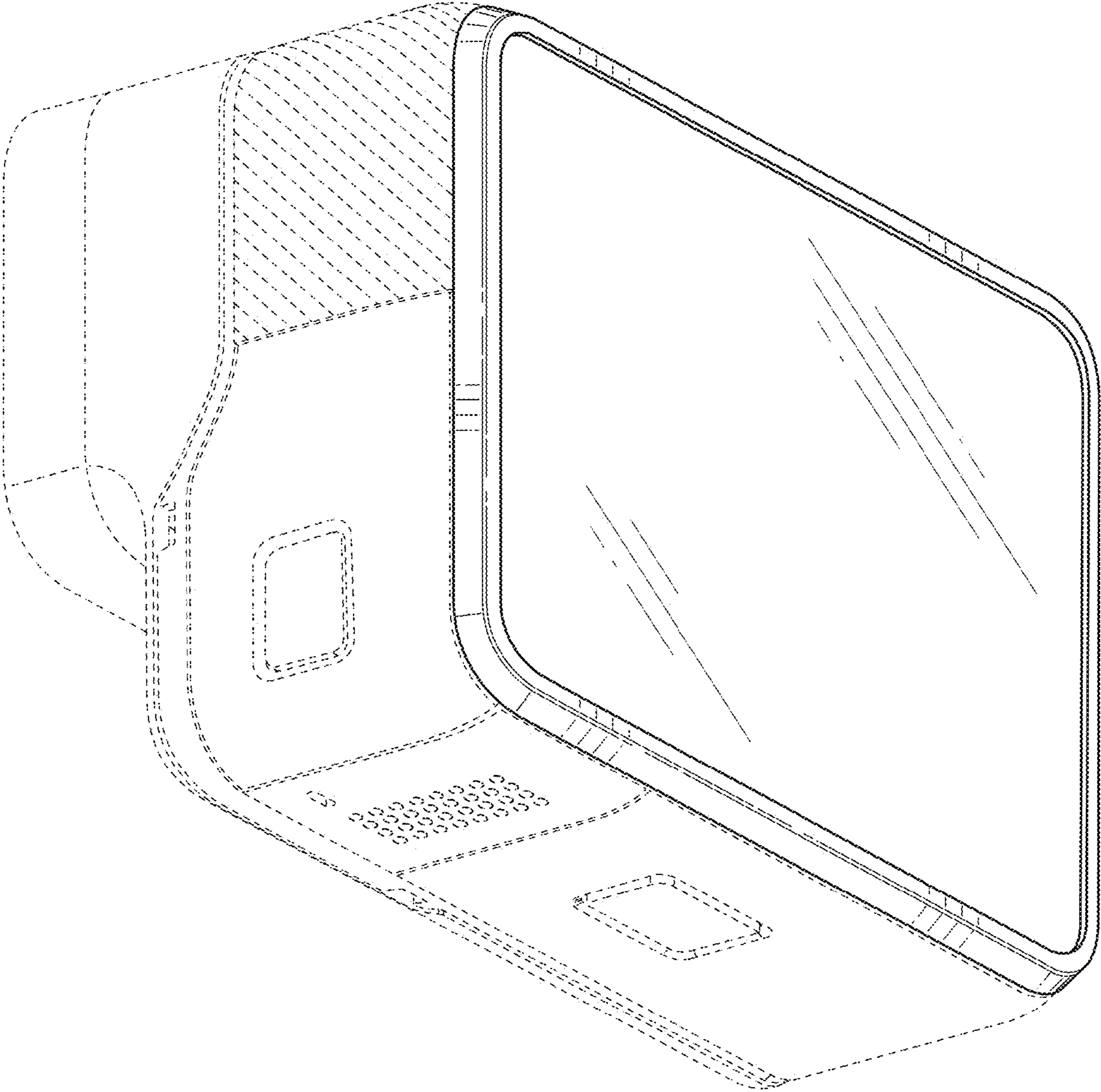


FIG. 2

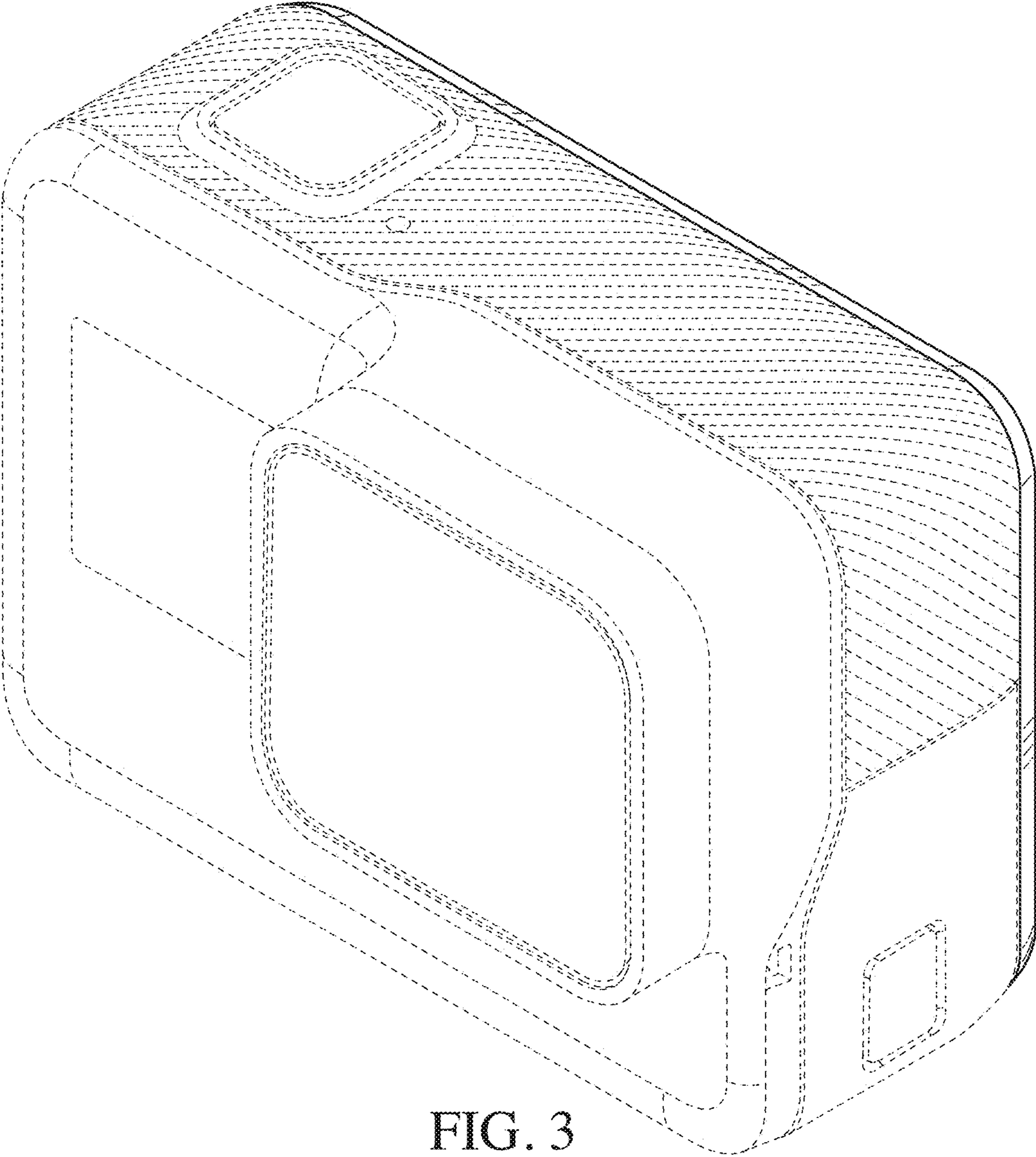


FIG. 3

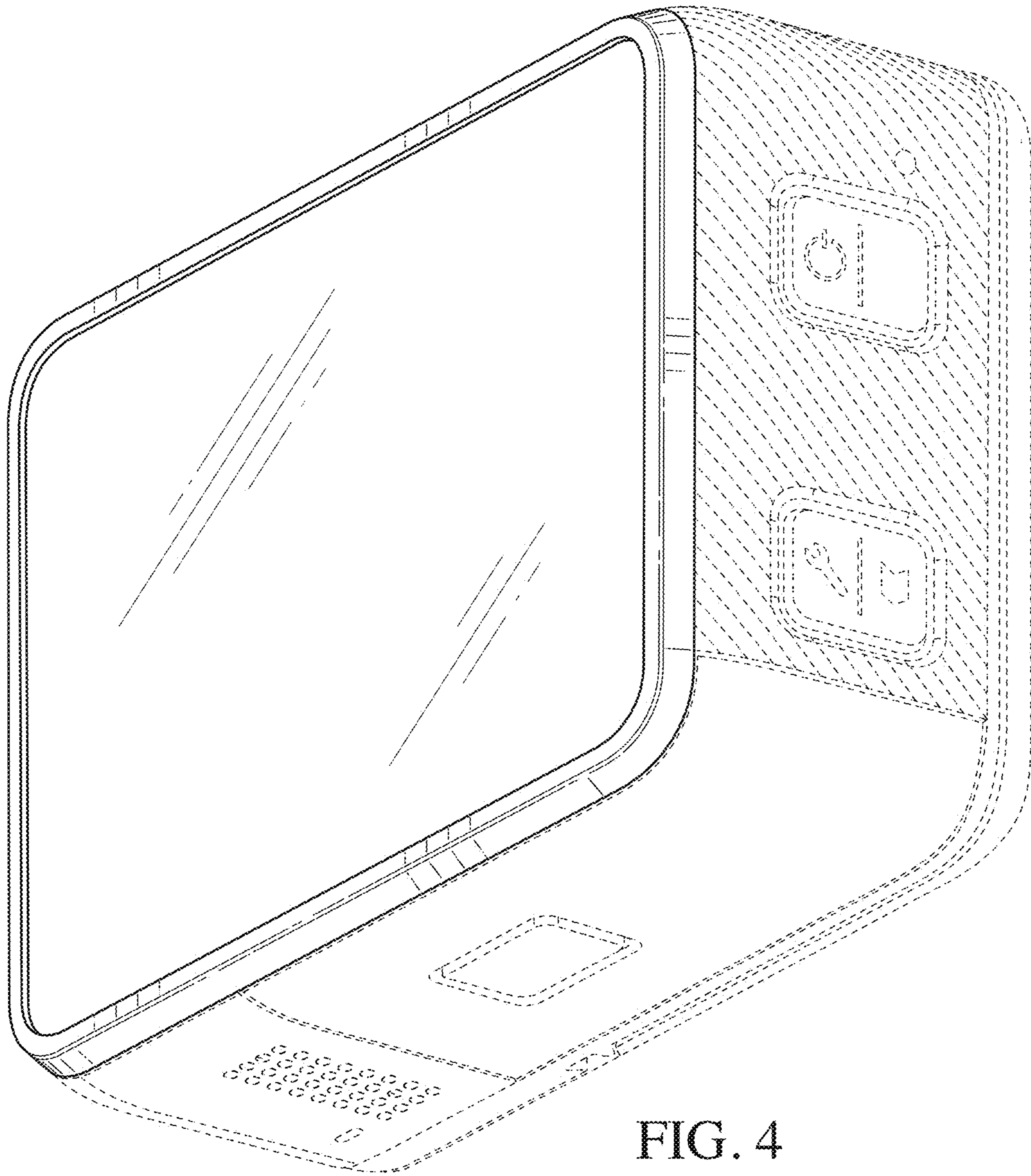


FIG. 4

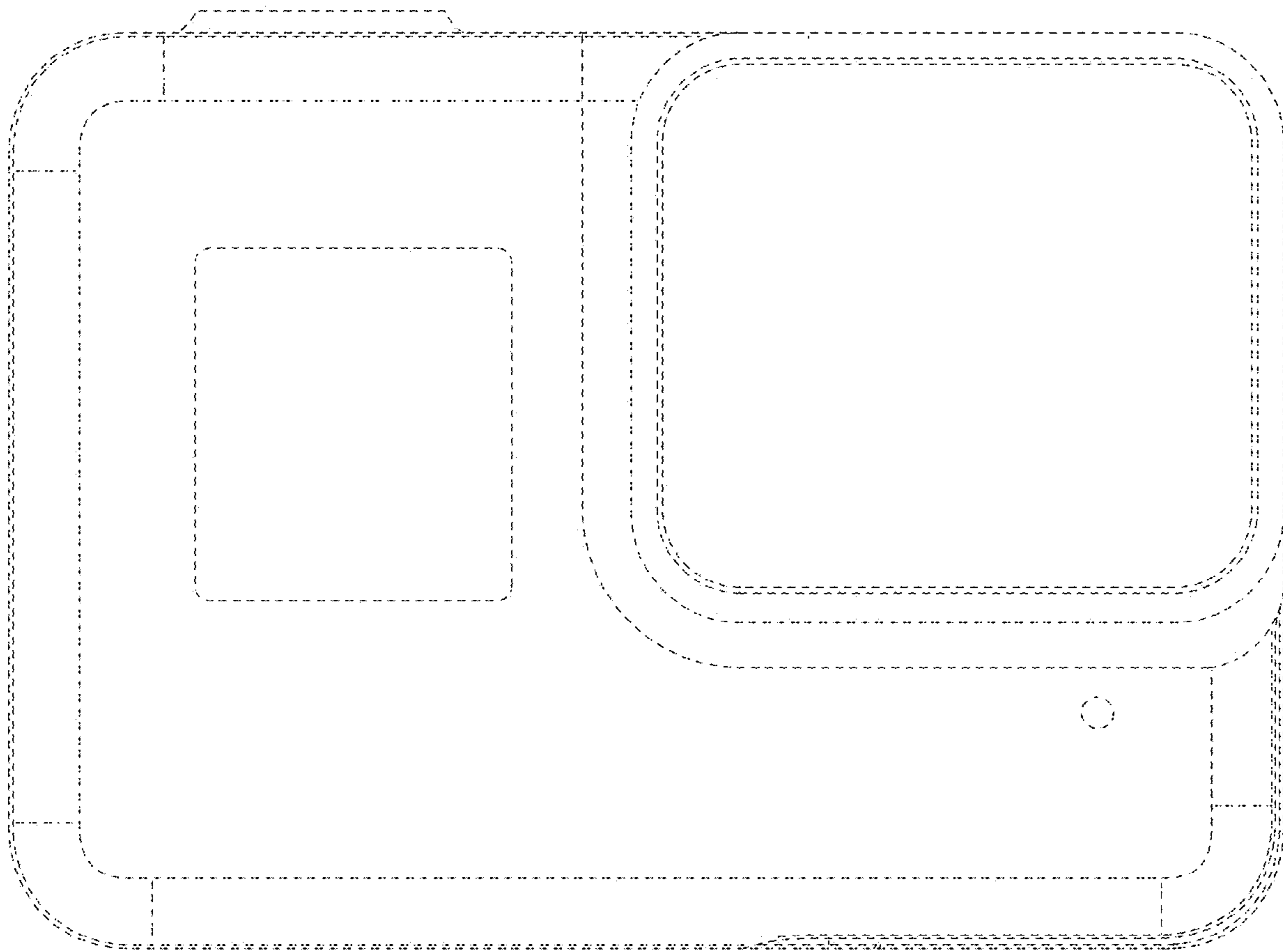


FIG. 5

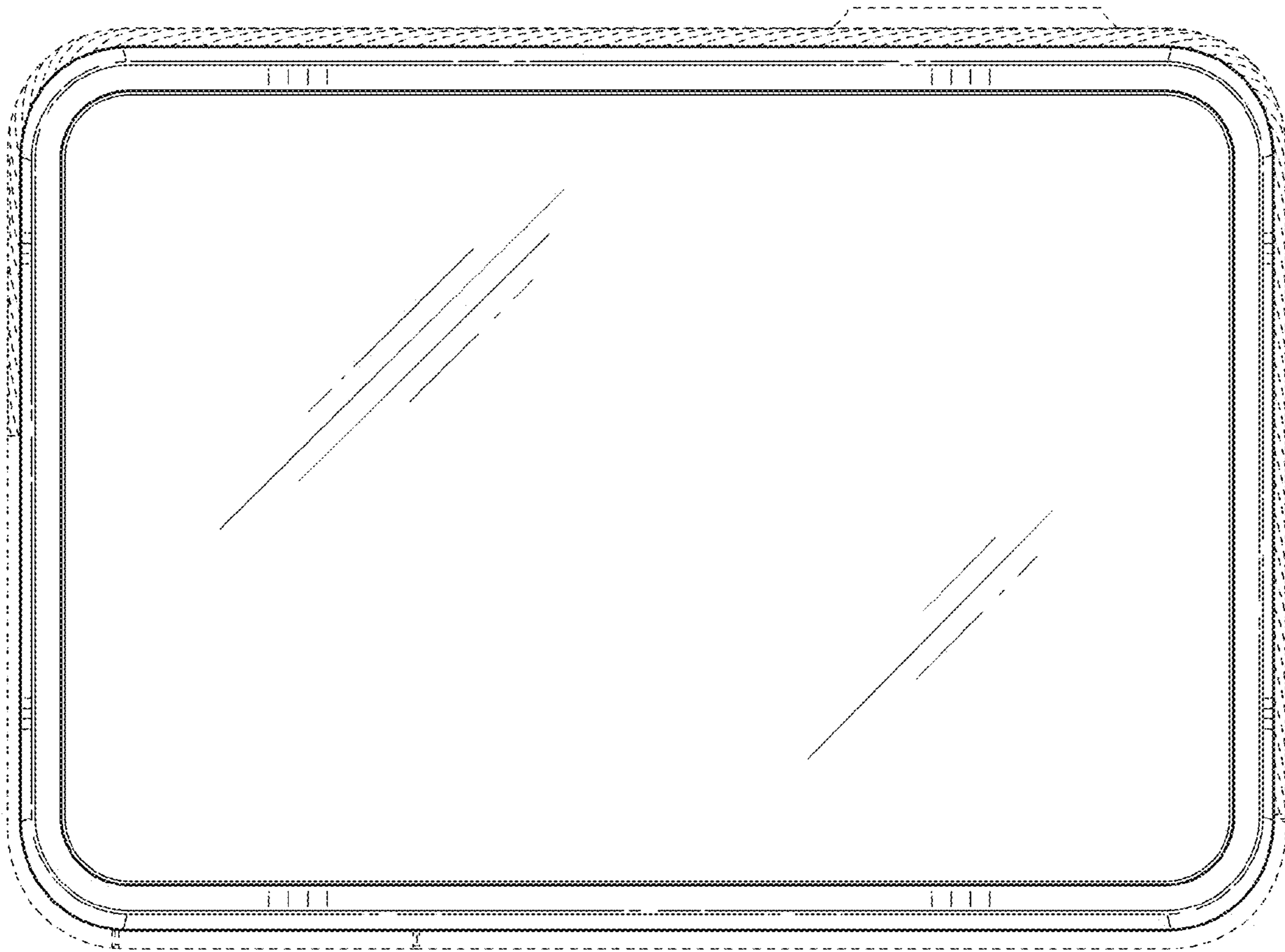


FIG. 6

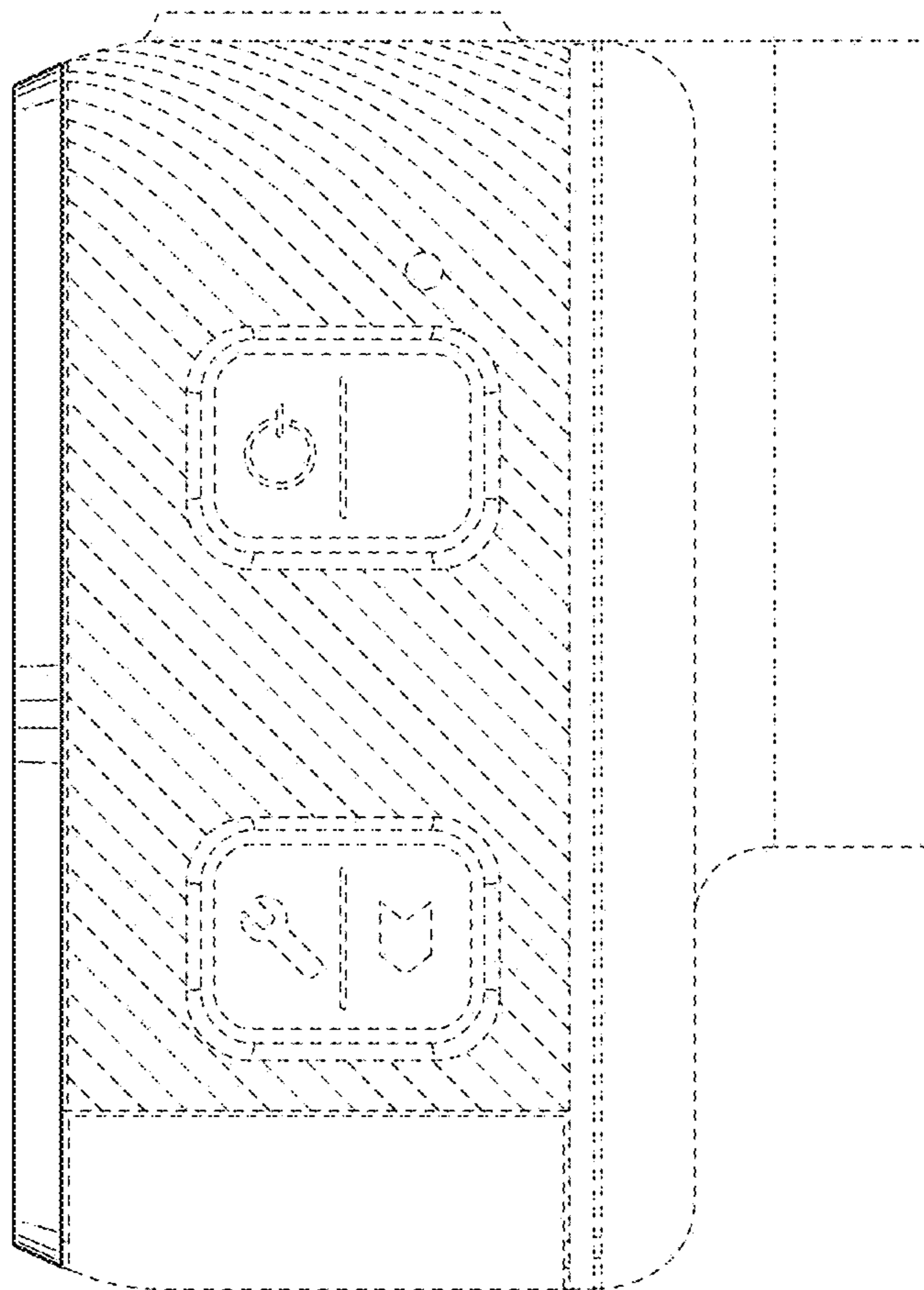


FIG. 7

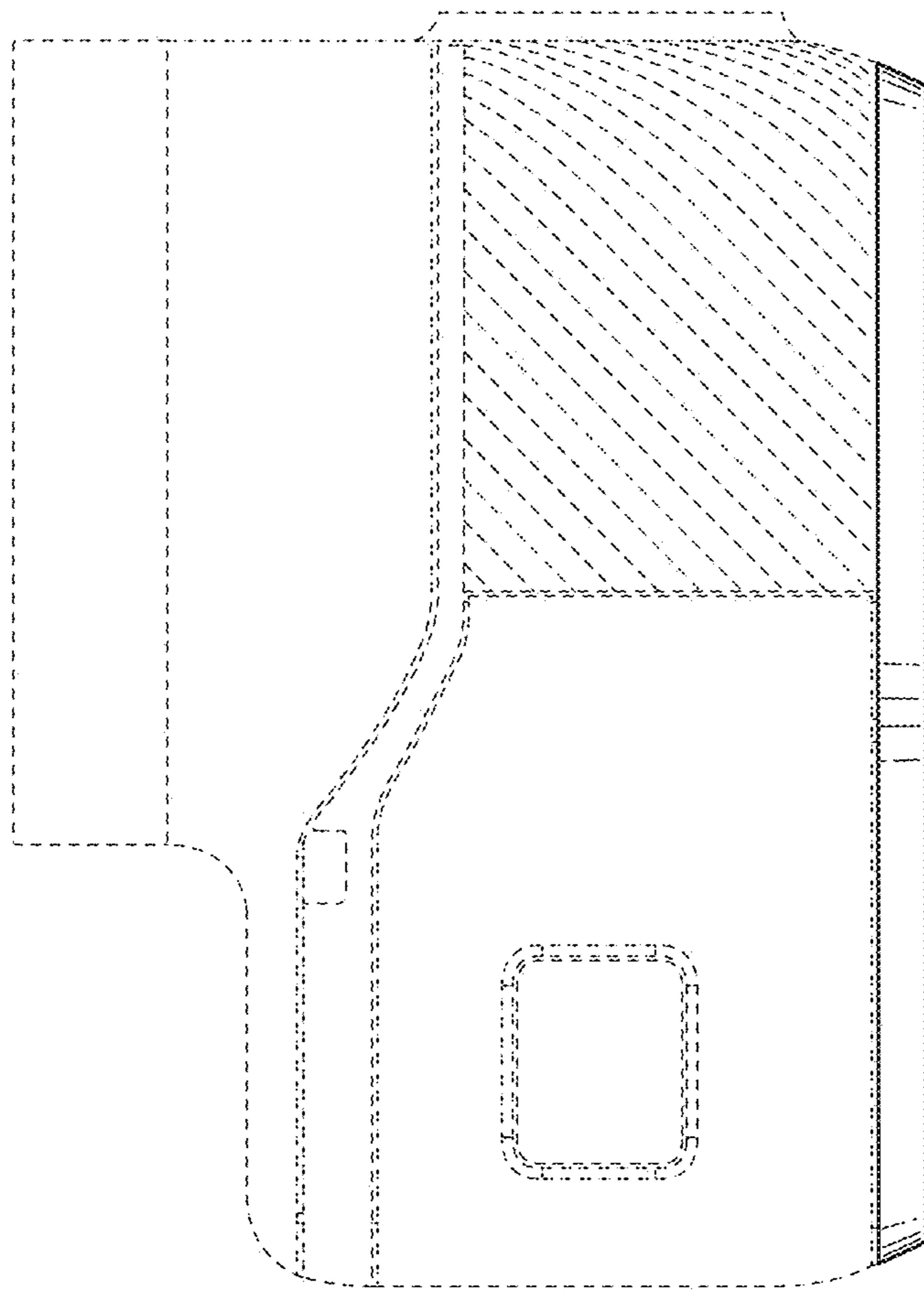


FIG. 8

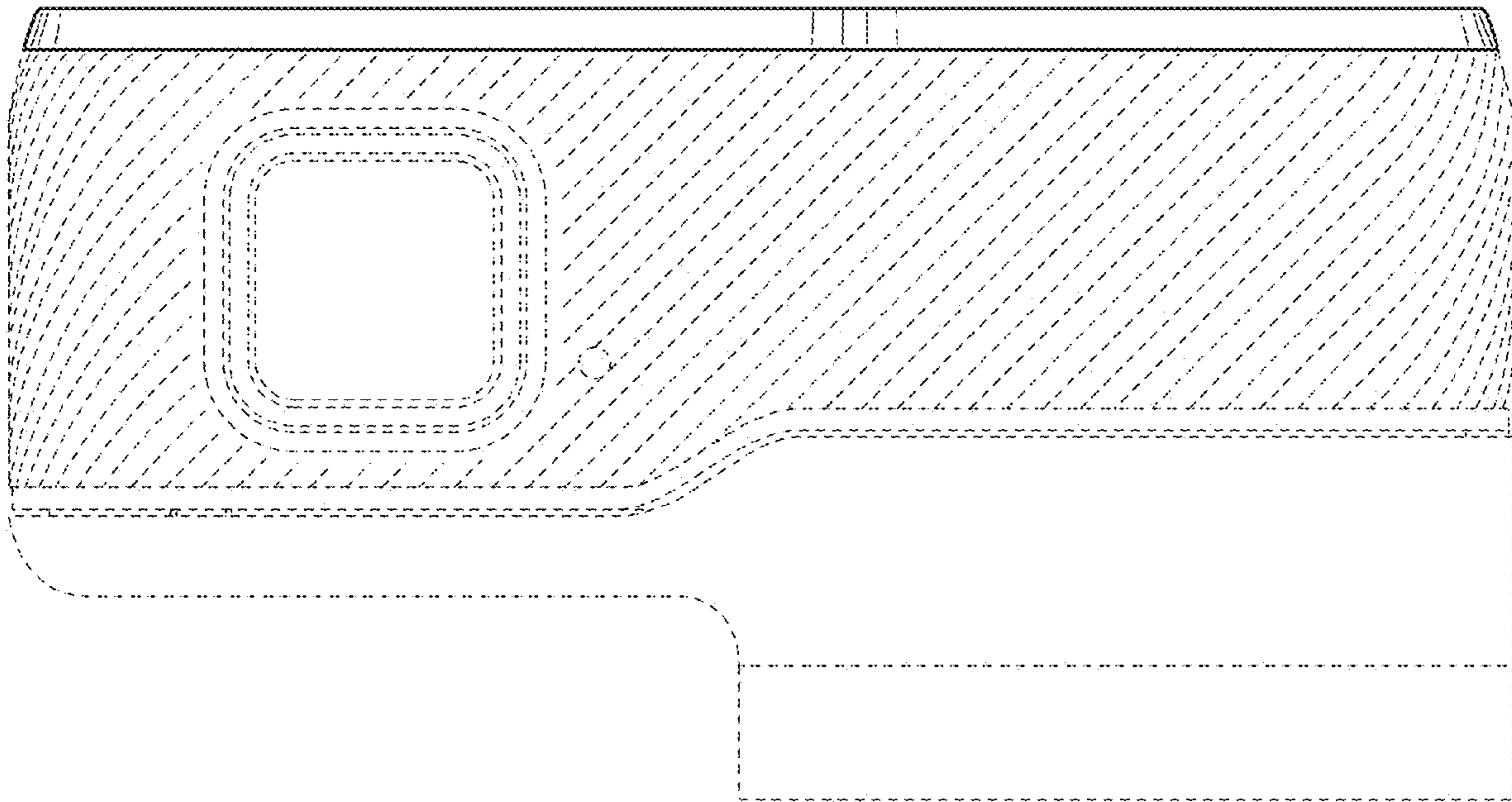


FIG. 9

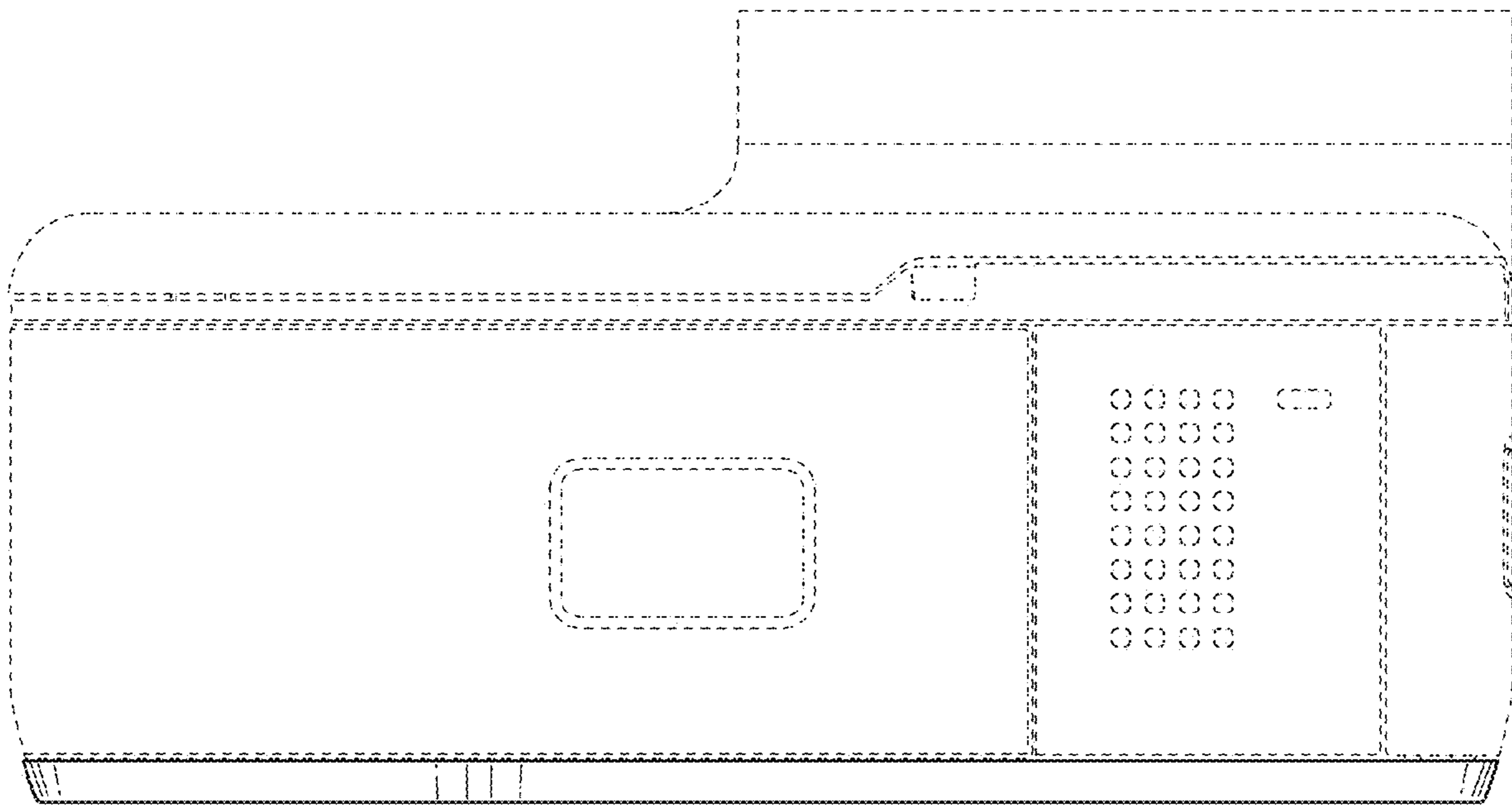


FIG. 10