



US00D881971S

(12) **United States Design Patent**
Lin et al.

(10) **Patent No.:** **US D881,971 S**
(45) **Date of Patent:** **** Apr. 21, 2020**

(54) **FOCUS FOLLOWER**

- (71) Applicant: **Gudsen Technology Co., Ltd**,
Shenzhen, Guangdong (CN)
- (72) Inventors: **Chenguang Lin**, Guangdong (CN);
Xiheng Shi, Guangdong (CN)
- (73) Assignee: **Gudsen Technology Co., Ltd**,
Shenzhen (CN)

(**) Term: **15 Years**

(21) Appl. No.: **29/665,252**

(22) Filed: **Oct. 1, 2018**

(30) **Foreign Application Priority Data**

Sep. 13, 2018 (CN) 2018 3 0516063

(51) **LOC (12) Cl.** **16-01**

(52) **U.S. Cl.**
USPC **D16/205**

(58) **Field of Classification Search**
USPC D16/100, 101, 200, 202, 205, 208, 219
CPC G03B 13/32; G03B 17/56
See application file for complete search history.

(56) **References Cited**

U.S. PATENT DOCUMENTS

- 2,618,209 A * 11/1952 Silent G03B 19/18
396/93
- 3,947,860 A * 3/1976 Imai G03B 3/00
396/144
- D713,440 S * 9/2014 Zhan D16/237
- 2010/0259669 A1 * 10/2010 Wood G03B 13/32
348/345
- 2017/0034408 A1 * 2/2017 Zhang H04N 5/2252

OTHER PUBLICATIONS

AKFII Brushless Motor Follow Focus Kit, posted at store.feiyu-tech.com, posting date not given, [online], [site visited Feb. 11, 2020]. Available from Internet, URL: <https://store.feiyu-tech.com/products/akfii-brushless-motor-follow-focus-kit-for-ak2000-ak-series-easy-installation?variant=31337068691542> (Year: 2020).*

CAME-TV Follow Focus, posted at nofilmschool.com, posting date Nov. 5, 2015, [online], [site visited Feb. 11, 2020]. Available from Internet, URL: <https://nofilmschool.com/2015/11/came-tv-lowers-price-their-wireless-follow-focus-over-50> (Year: 2015).*

(Continued)

Primary Examiner — George D. Kirschbaum
Assistant Examiner — Maria J Edwards

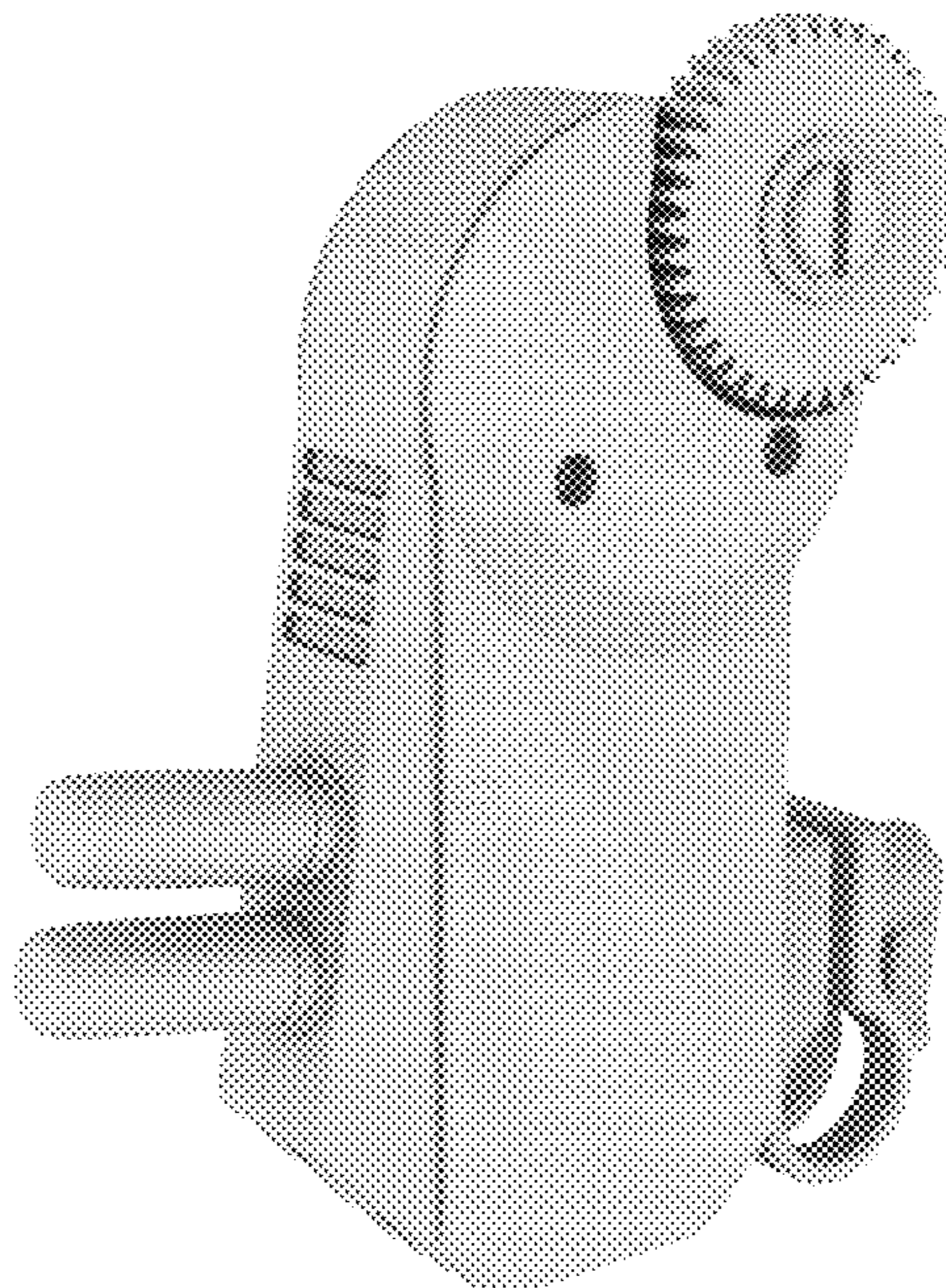
(57) **CLAIM**

The ornamental design for a focus follower, as shown and described.

DESCRIPTION

FIG. 1 is a front elevational view of a focus follower showing our new design;
 FIG. 2 is a rear elevational view thereof;
 FIG. 3 is a left side view thereof;
 FIG. 4 is a right side view thereof;
 FIG. 5 is a top plan view thereof;
 FIG. 6 is a bottom plan view thereof;
 FIG. 7 is a top, front and left side perspective view thereof;
 FIG. 8 is a top, front and right side perspective view thereof;
 FIG. 9 is a top, rear and right side perspective view thereof;
 FIG. 10 is a bottom, front and right side perspective view thereof;
 FIG. 11 is a top, rear and left side perspective view thereof;
 and,
 FIG. 12 is a top, rear and right side perspective view thereof.

1 Claim, 12 Drawing Sheets



(56)

References Cited

OTHER PUBLICATIONS

Cmotion Cvolution Knob Solo Electronic Follow Focus System, posted at equipment.cafe, posting date not given, [online], [site visited Feb. 11, 2020]. Available from Internet, URL: <https://equipment.cafe/product-details/cmotion-cvolution-knob-solo-system/#1> (Year: 2020).*

Ikan PD2-N. Wireless Follow Focus, posted at adorama.com, posting date not given, [online], [site visited Feb. 11, 2020]. Available from Internet, URL: <https://www.adorama.com/iapd2n.html> (Year: 2020).*

MOZA iFocus Wireless Lens Control System, posted at gudsen.com, posting date not given, [online], [site visited Feb. 11, 2020]. Available from Internet, URL: <https://www.gudsen.com/moza-ifocus-wireless-lens-control-system> (Year: 2020).*

PDMovie PDL-AFZ Wireless Follow Focus Kit, posted at productiongear.co.uk, posting date not given, [online], [site visited Feb. 11, 2020]. Available from Internet, URL: <https://www.productiongear.co.uk/pdmovie-pdl-afz-live-air-wireless-follow-focus-lens-controller-kit.html> (Year: 2020).*

PFY Wireless Follow Focus, posted at pilotfly.de, posting date not given, [online], [site visited Feb. 11, 2020]. Available from Internet, URL: <https://pilotfly.de/en/4ghz-wireless-follow-focus-system/145-pfy-focus-24ghz-wireless-follow-focus-system-0725984249640.html> (Year: 2020).*

Tilta Nucleus-M Brushless Wireless Follow Focus Motor WLC-T03-M, posted at adorama.com, posting date not given, [online], [site visited Feb. 11, 2020]. Available from Internet, URL: <https://www.adorama.com/iawlct03m.html> (Year: 2020).*

* cited by examiner

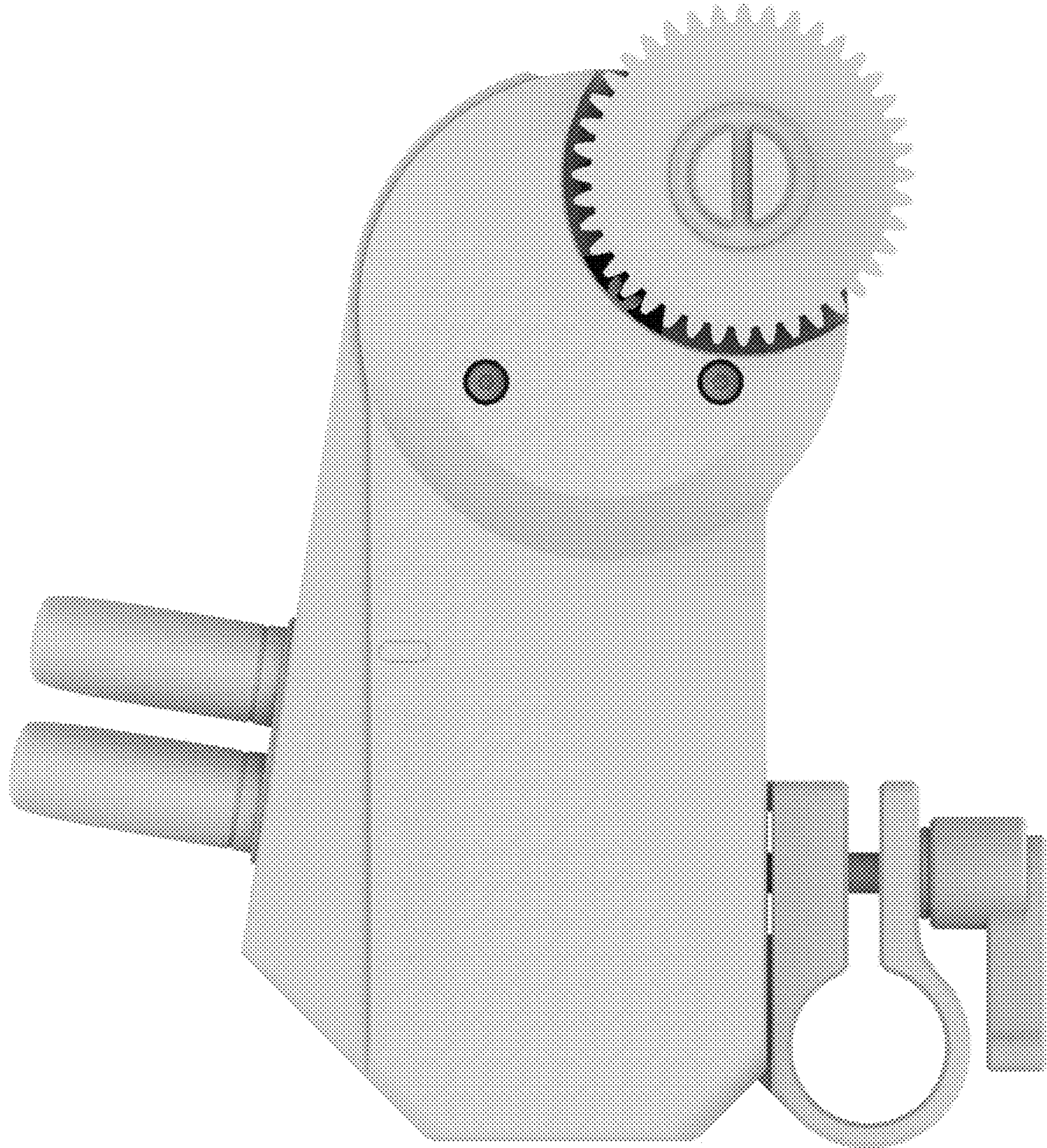


Fig. 1

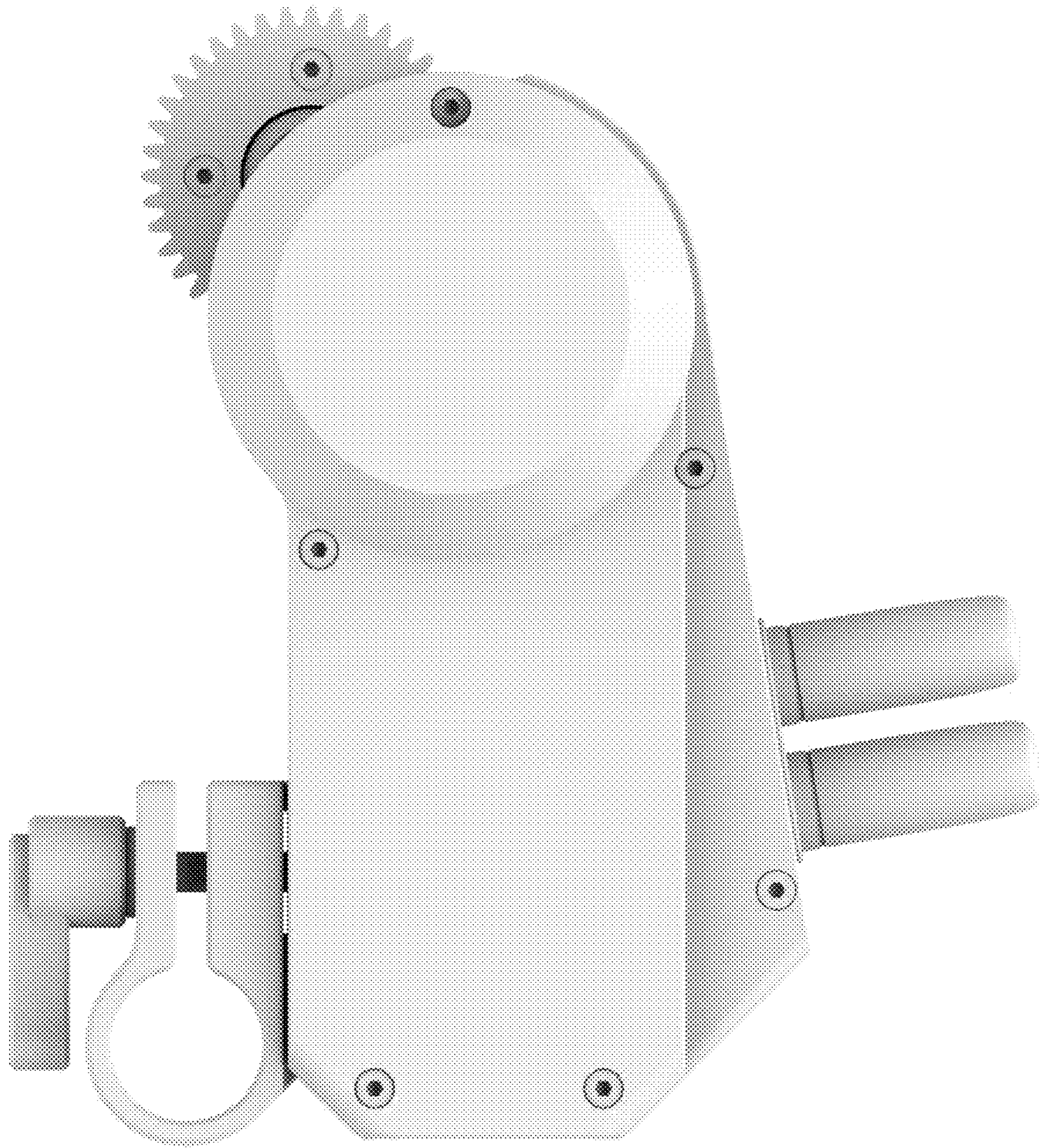


Fig. 2

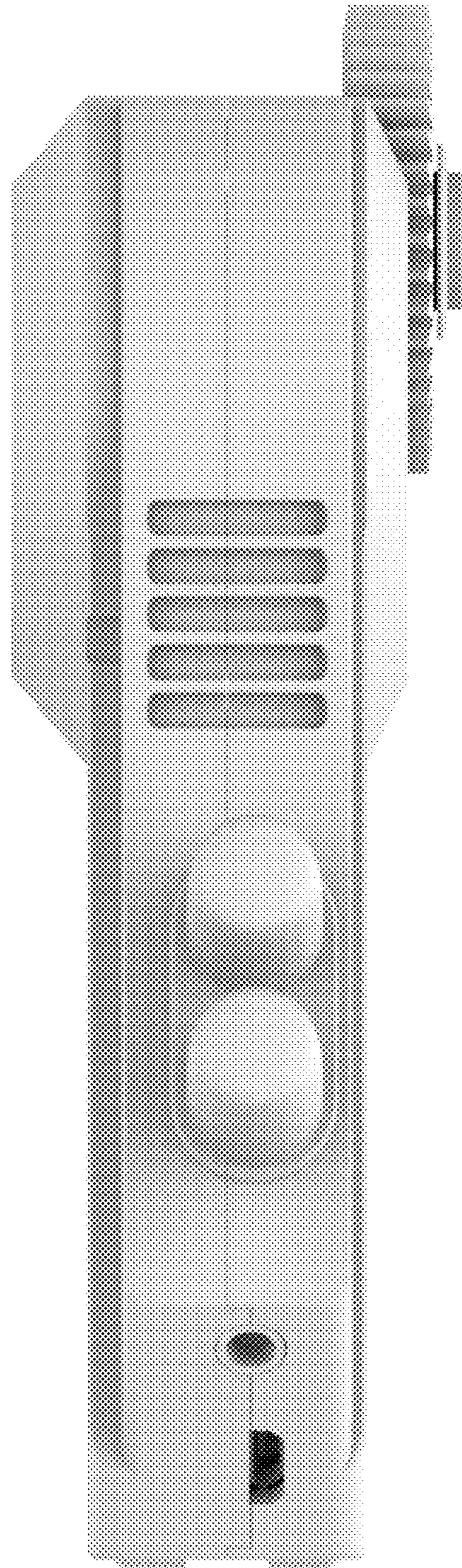


Fig. 3

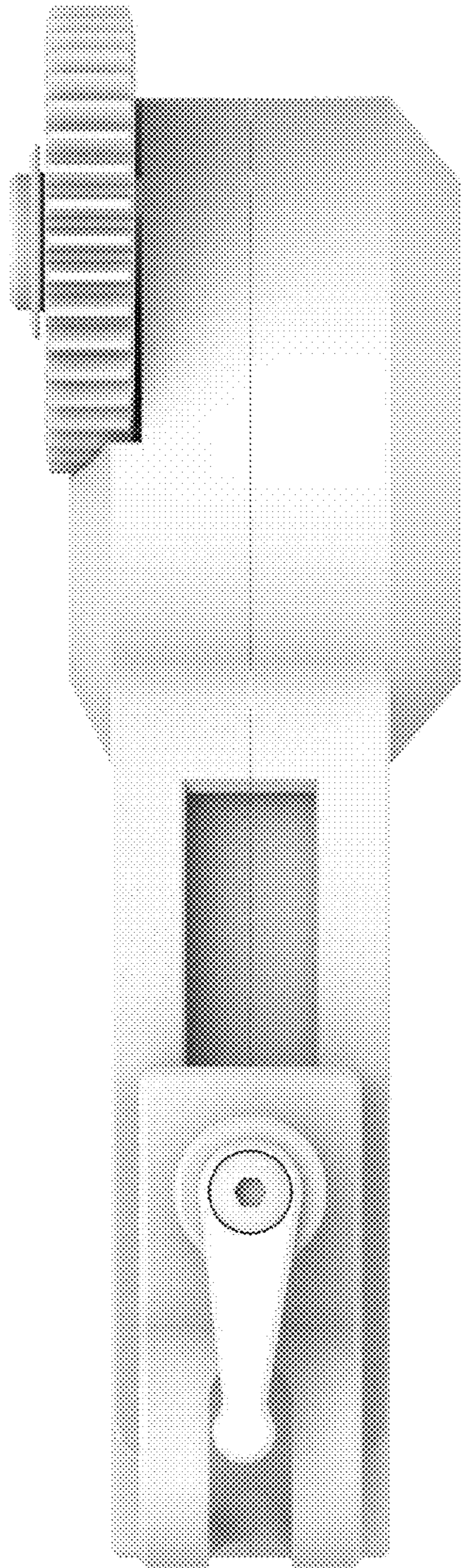


Fig. 4

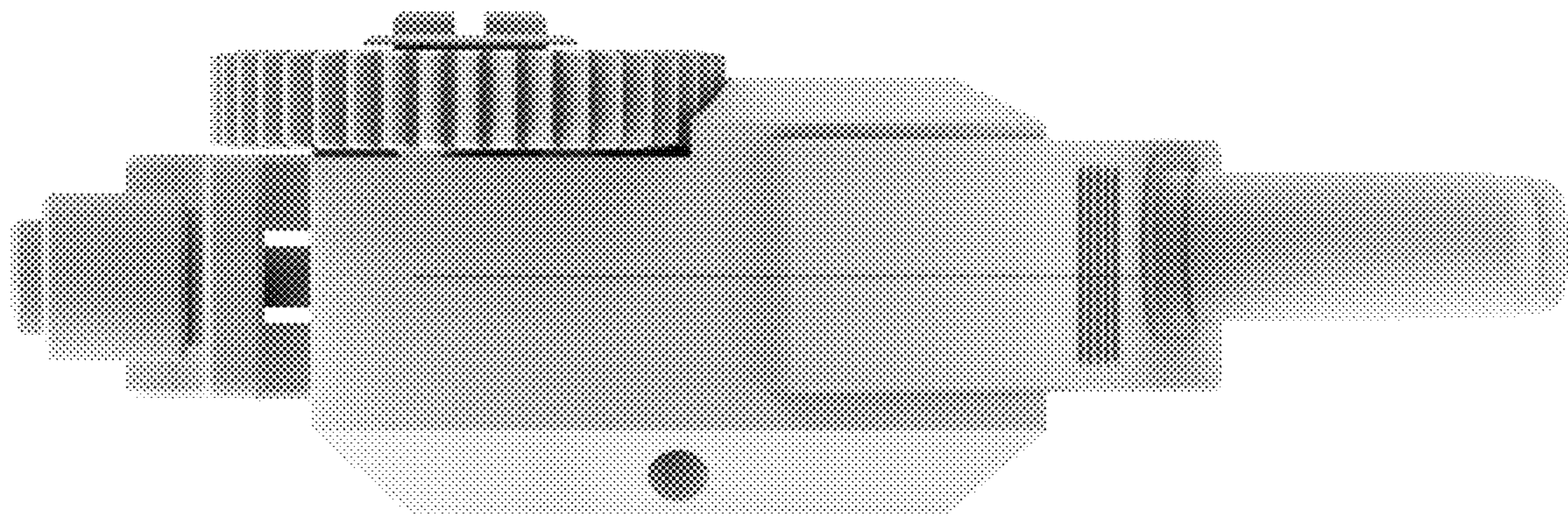


Fig. 5

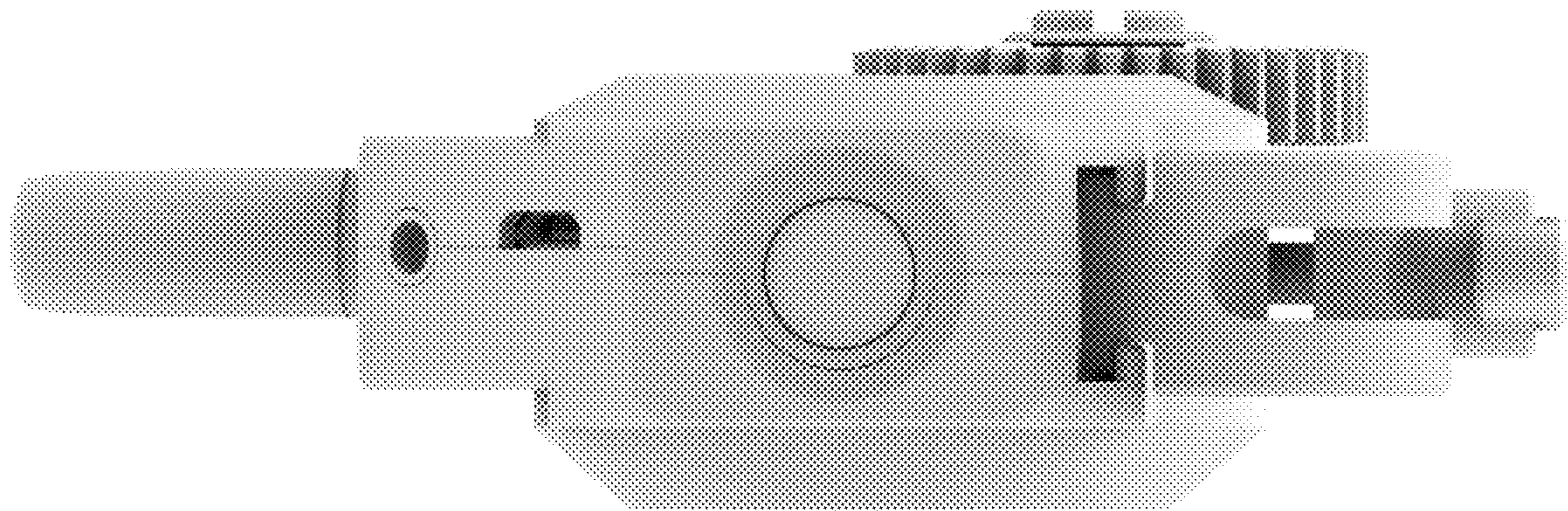


Fig. 6

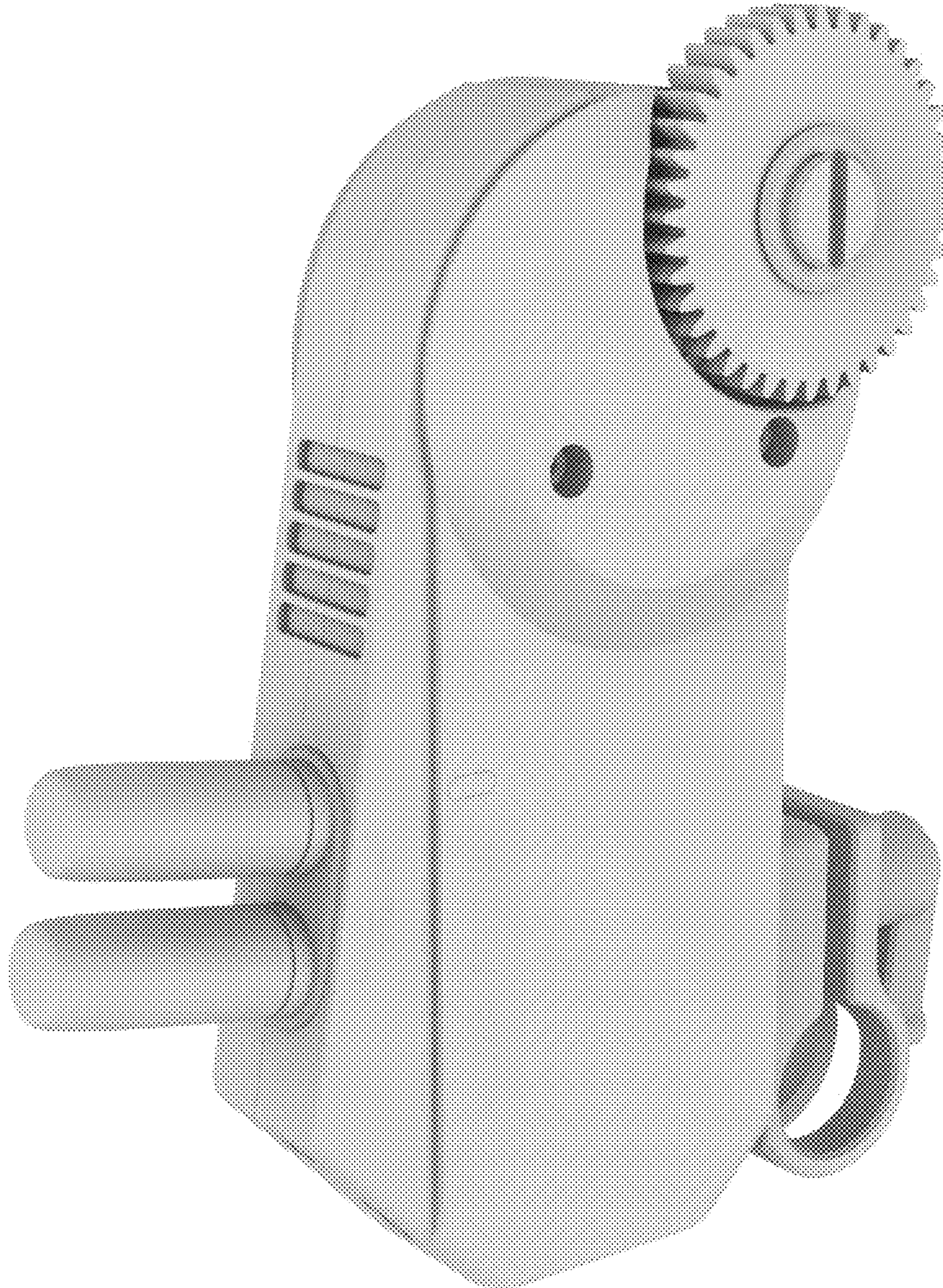


Fig. 7

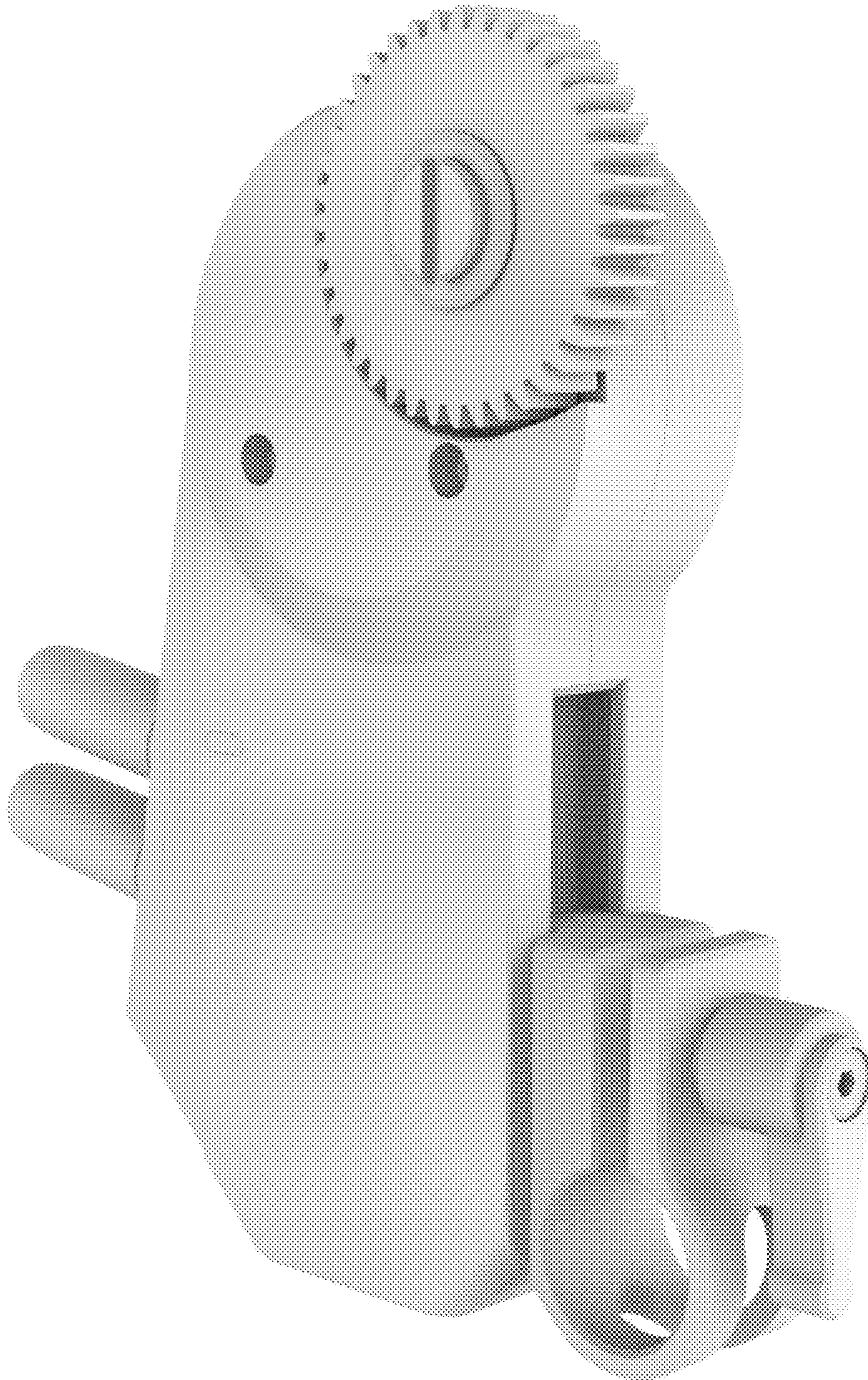


Fig. 8

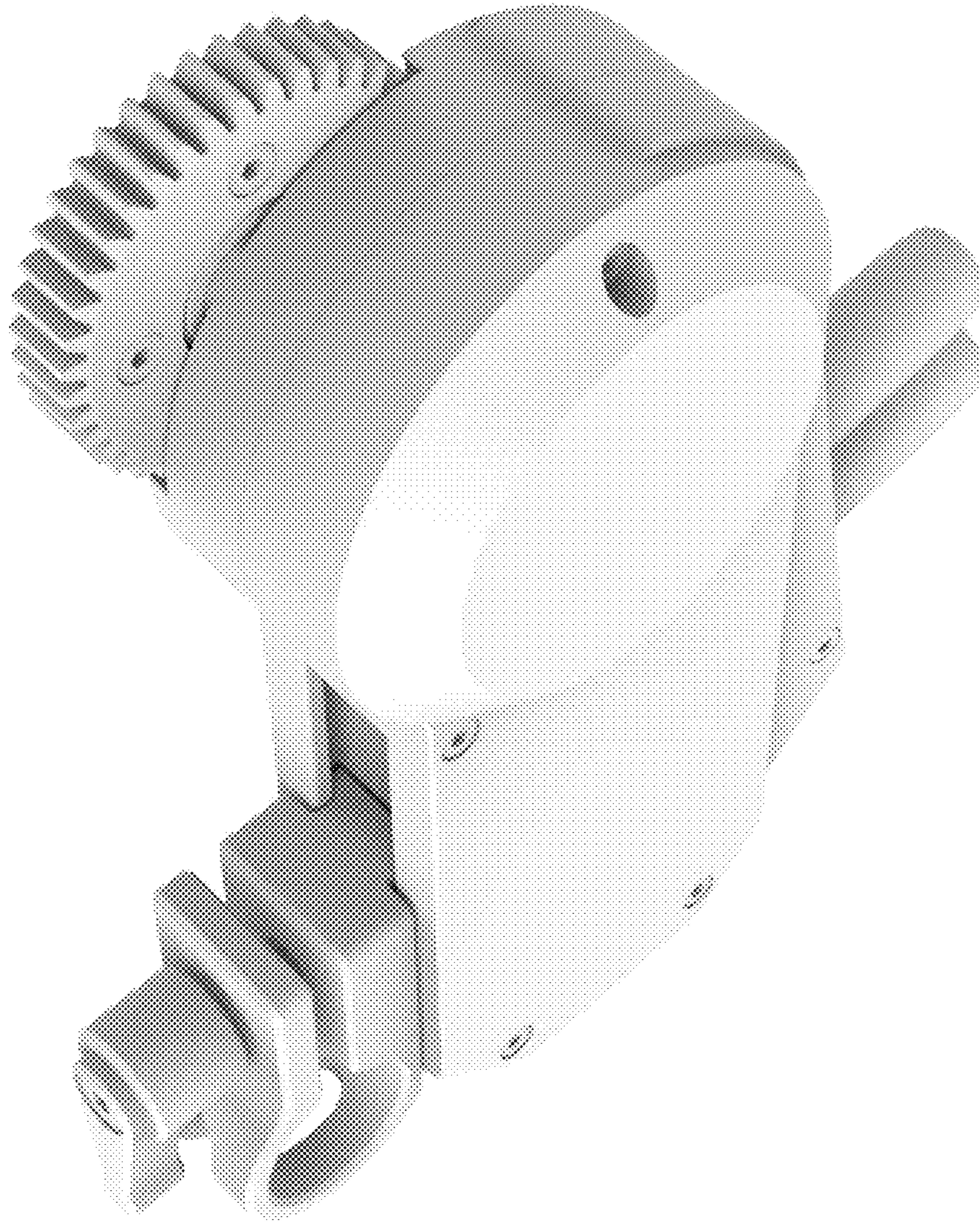


Fig. 9



Fig. 10

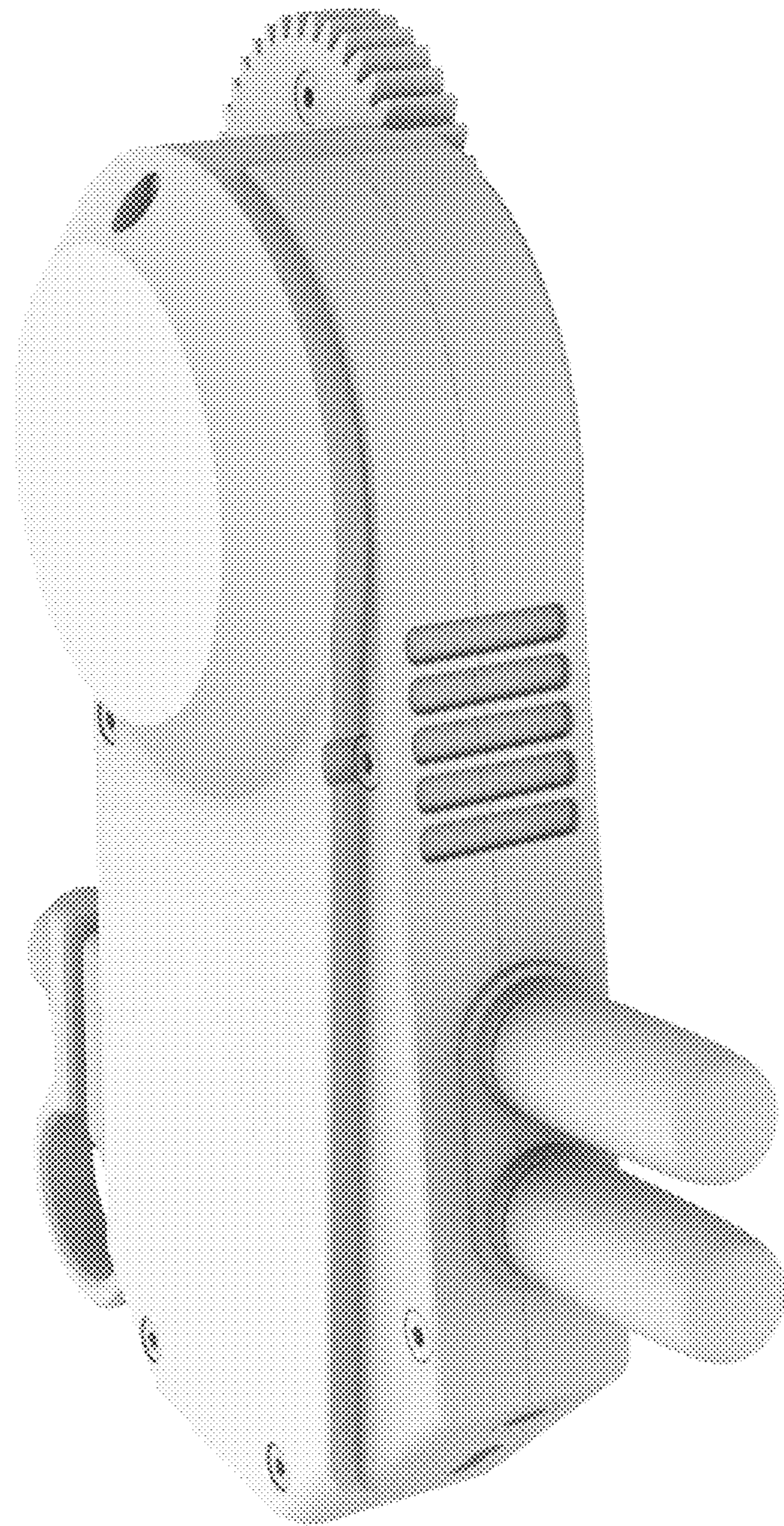


Fig. 11

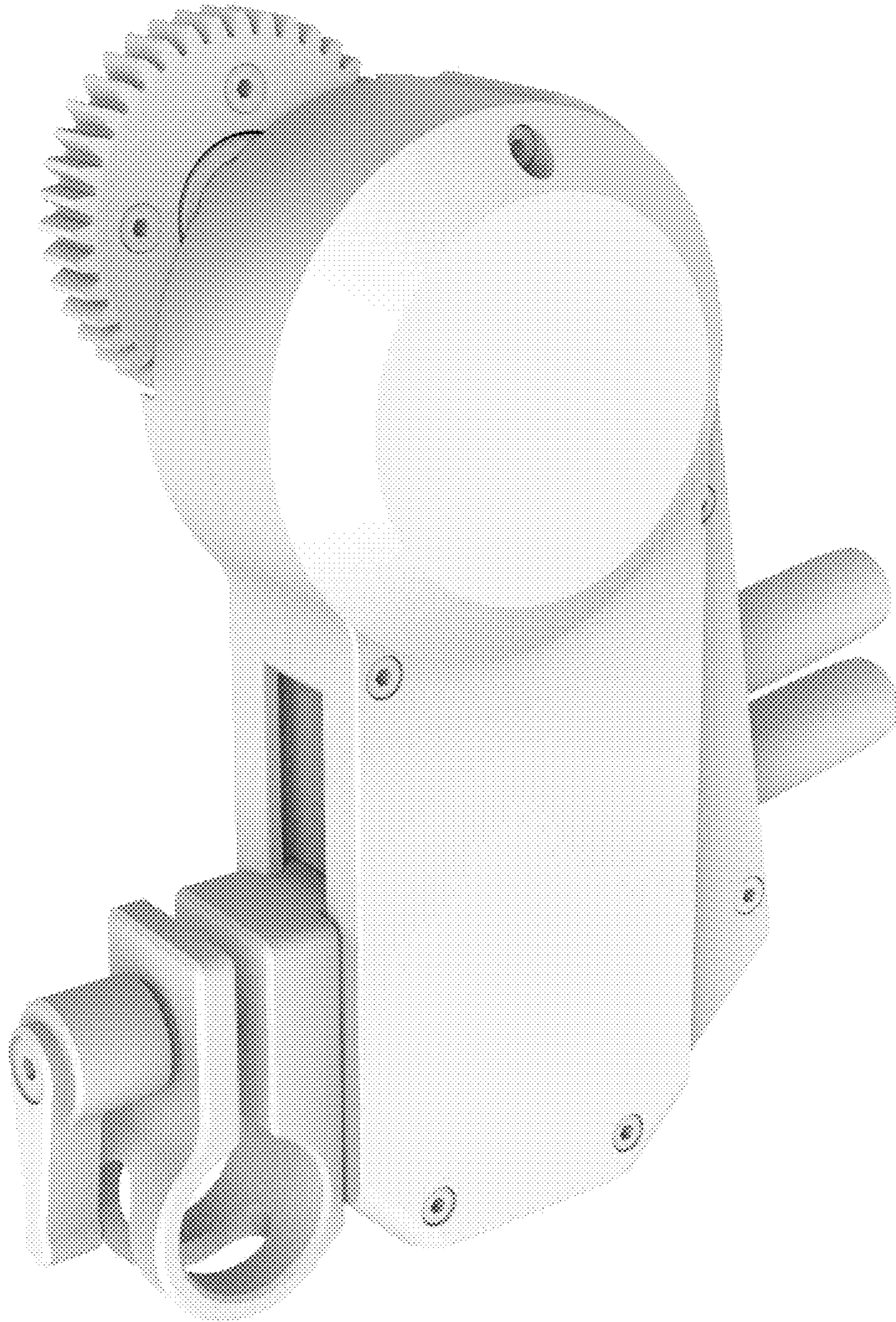


Fig. 12