



US00D881970S

(12) **United States Design Patent**  
**Peng**

(10) **Patent No.:** **US D881,970 S**

(45) **Date of Patent:** **\*\* Apr. 21, 2020**

(54) **CAMERA**

(71) Applicant: **Zhongshan Loncky Electronics Co., Ltd**, Zhongshan (CN)

(72) Inventor: **Zhenhua Peng**, Guangdong (CN)

(73) Assignee: **ZHONGSHAN LONCKY ELECTRONICS CO., LTD.**, Zhongshan (CN)

(\*\*) Term: **15 Years**

(21) Appl. No.: **29/697,904**

(22) Filed: **Jul. 12, 2019**

(51) **LOC (12) Cl.** ..... **16-01**

(52) **U.S. Cl.**  
USPC ..... **D16/203**

(58) **Field of Classification Search**  
USPC ..... D16/200, 202–208, 218, 219, 242;  
348/143, 148, 151, 164, 373–376;  
396/419, 427, 535, 539–541  
CPC ..... G03B 17/02; G03B 19/04; G03B 17/56;  
G03B 17/04; G03B 15/03; H04N 5/2251;  
H04N 5/2252; H04N 5/2253; H04N  
5/2254; H04N 7/181; H04N 7/183; H04N  
7/18; G08B 13/1963; G08B 13/19619;  
G08B 13/19632; F16M 11/04; F16M  
13/00

See application file for complete search history.

(56) **References Cited**

**U.S. PATENT DOCUMENTS**

D509,234 S \* 9/2005 Muto ..... D16/203  
D514,150 S \* 1/2006 Muto ..... D16/203

D528,144 S \* 9/2006 Takemasa ..... D16/203  
D558,250 S 12/2007 Hsia  
D585,926 S \* 2/2009 Su ..... D16/203  
D592,231 S 5/2009 Schnell  
D634,345 S \* 3/2011 Kim ..... D16/203  
D634,347 S \* 3/2011 Park ..... D16/203  
D637,640 S \* 5/2011 Park ..... D16/203  
D640,721 S 6/2011 Satine  
D643,453 S \* 8/2011 Ham ..... D16/203  
D652,440 S \* 1/2012 Davidson ..... D16/203  
D691,187 S 10/2013 Seo et al.  
D746,350 S 12/2015 Li  
D823,369 S \* 7/2018 Wang ..... D16/203  
D827,691 S \* 9/2018 Zhong ..... D16/203  
D848,503 S \* 5/2019 Ahman ..... D16/203  
D857,078 S \* 8/2019 Xue ..... D16/203

\* cited by examiner

*Primary Examiner* — Ramzi S Almatrahi

(57) **CLAIM**

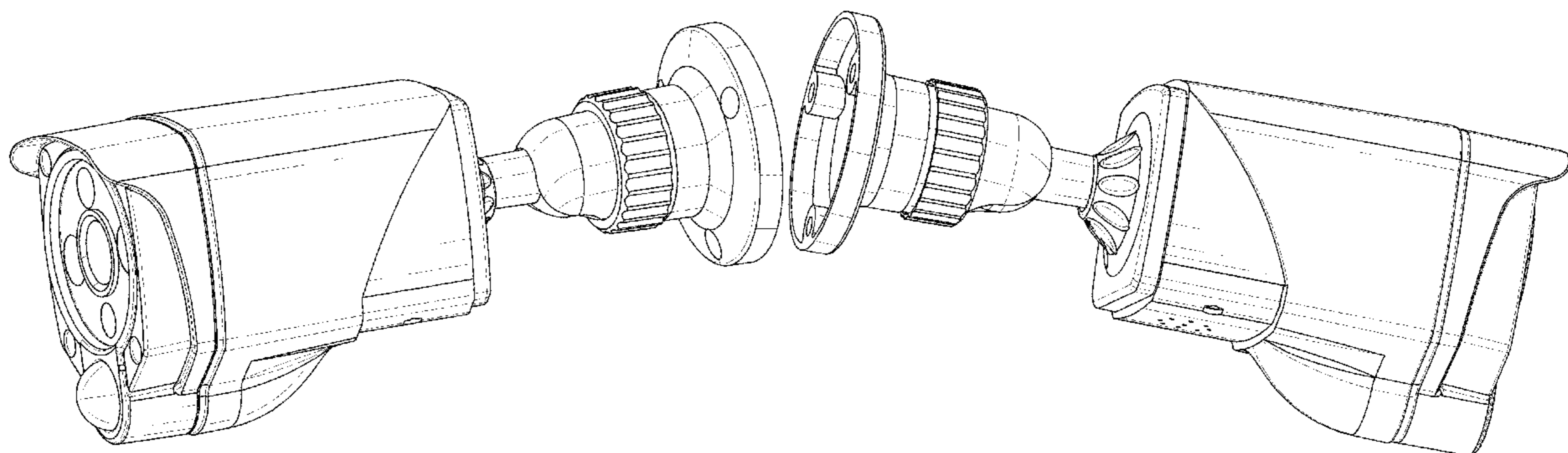
I claim the ornamental design for a camera, as shown and described.

**DESCRIPTION**

FIG. 1 is a front perspective view of a camera showing my new design;  
FIG. 2 is a back perspective view thereof;  
FIG. 3 is a Front view thereof;  
FIG. 4 is a Back view thereof;  
FIG. 5 is a Right-side view thereof;  
FIG. 6 is a Left-side view thereof;  
FIG. 7 is a Top view thereof; and,  
FIG. 8 is a Bottom view thereof.

The broken lines shown in the drawings depict portions of the camera that form no part of the claimed design.

**1 Claim, 7 Drawing Sheets**



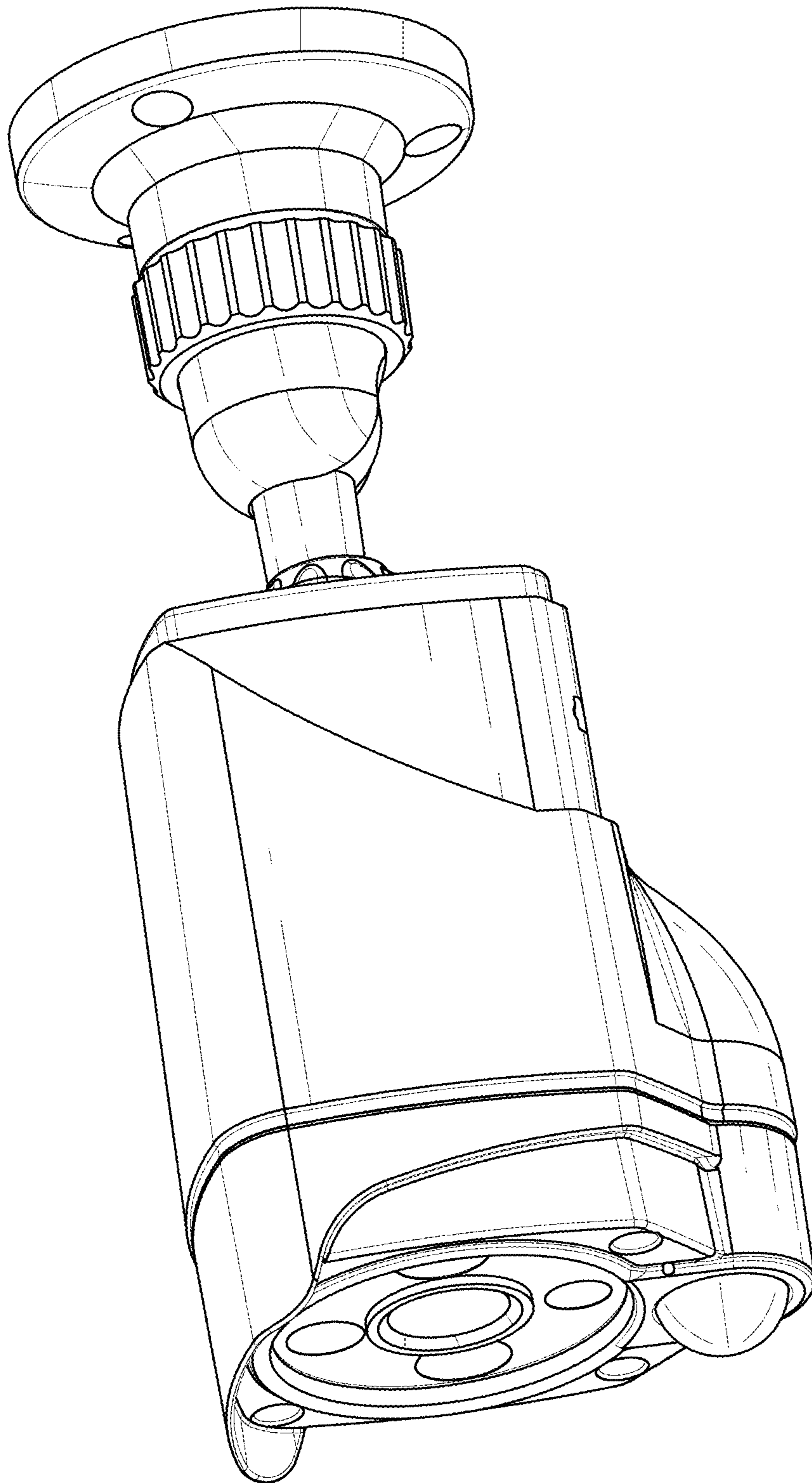


FIG. 1

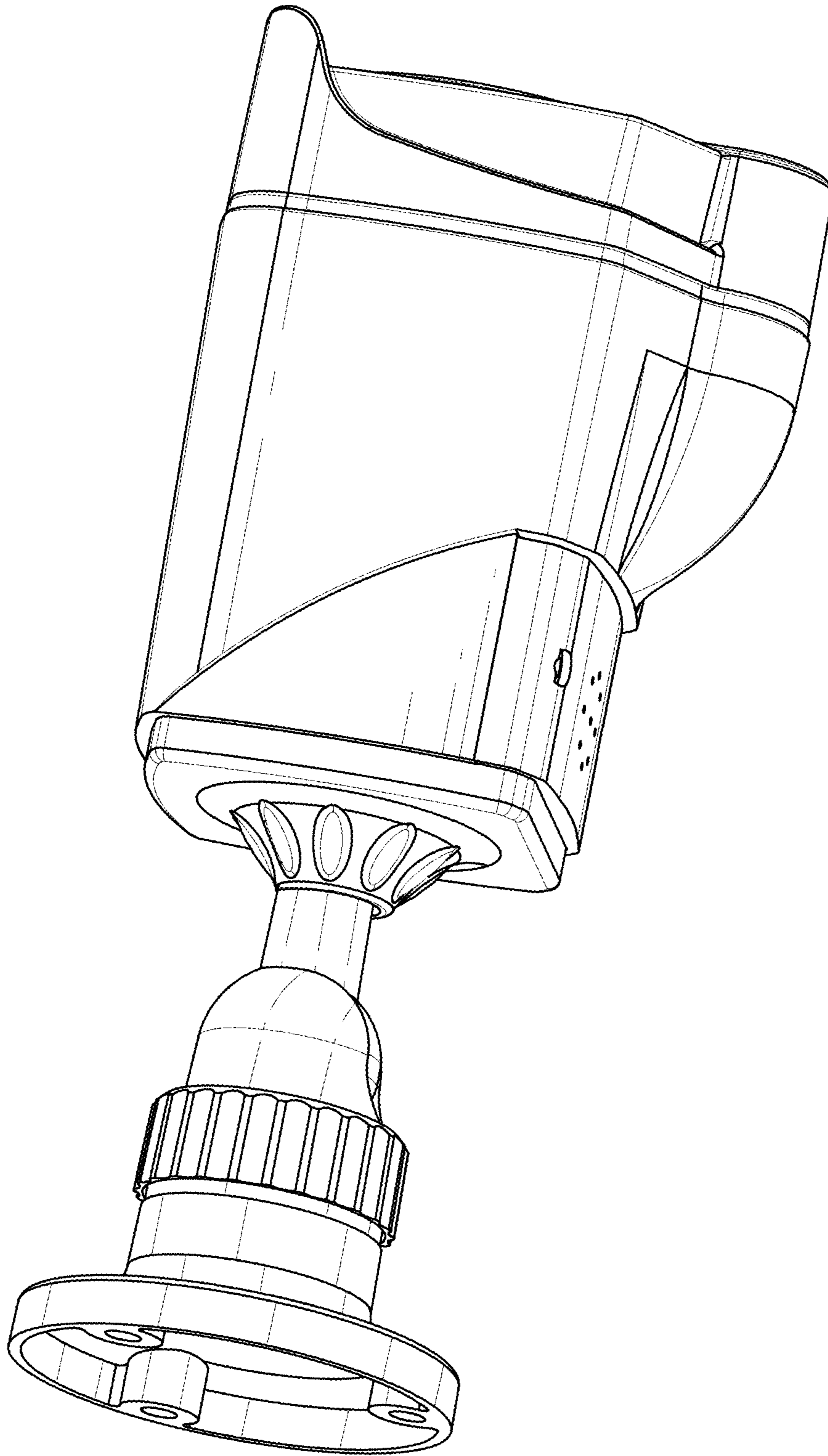


FIG. 2

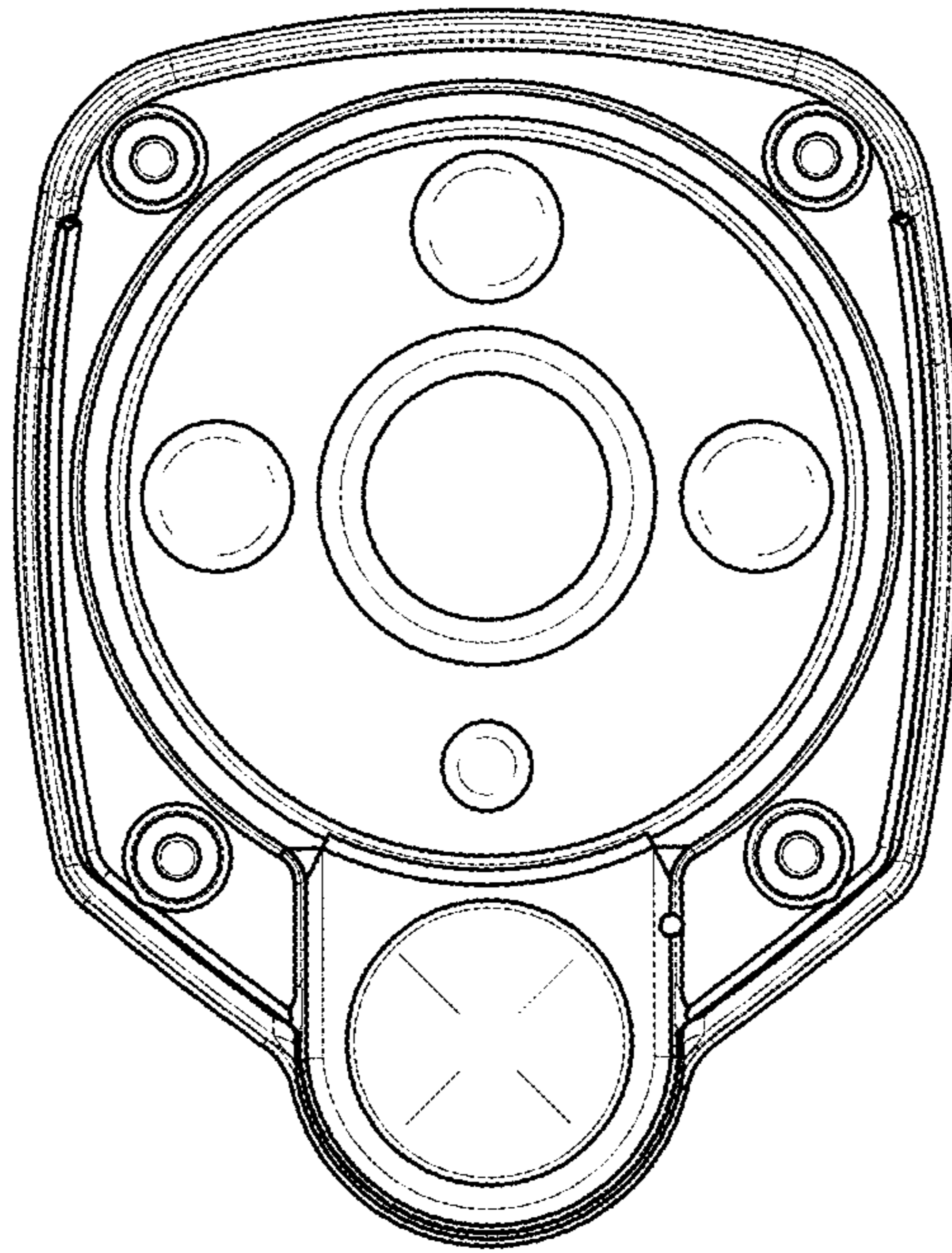


FIG. 3

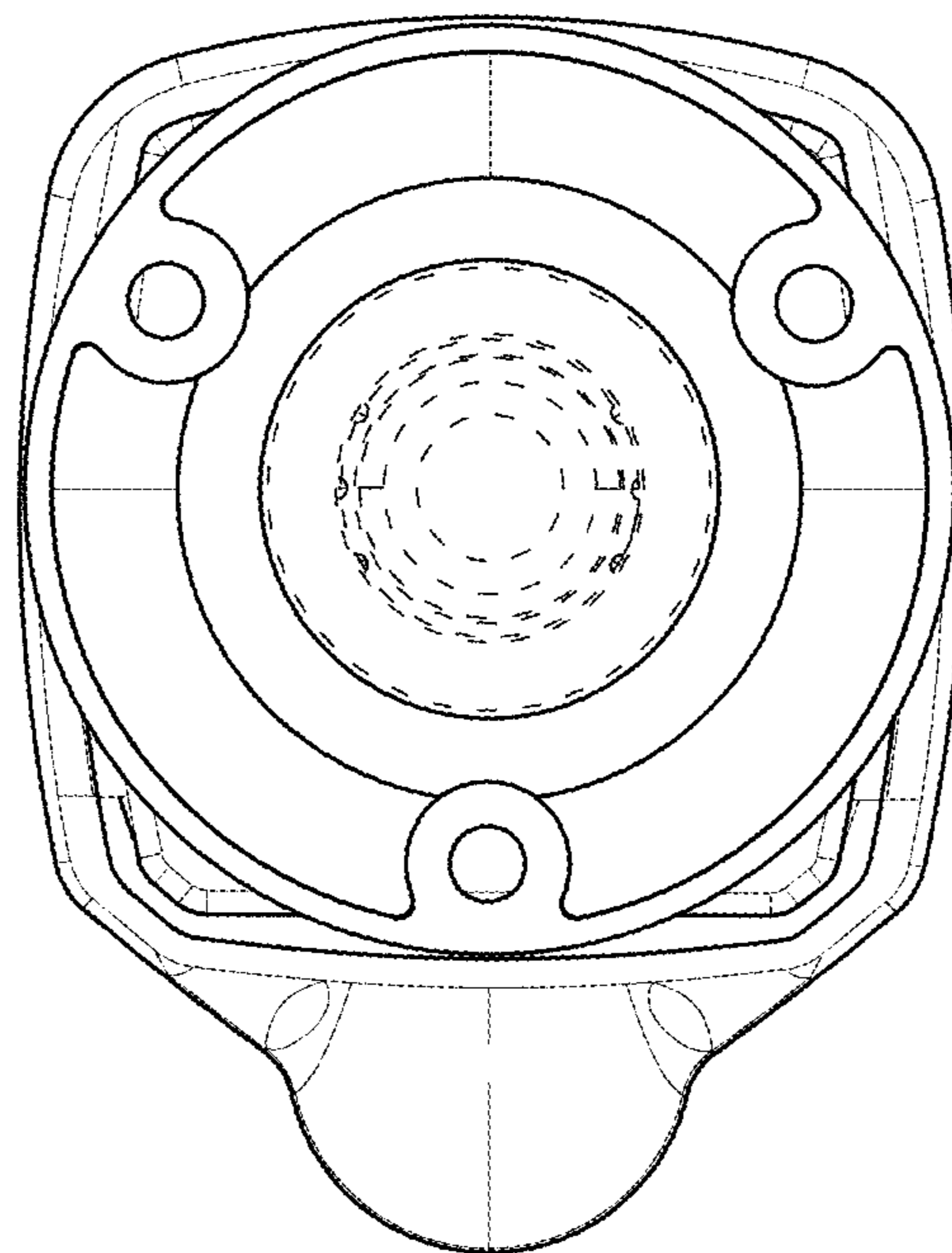


FIG. 4

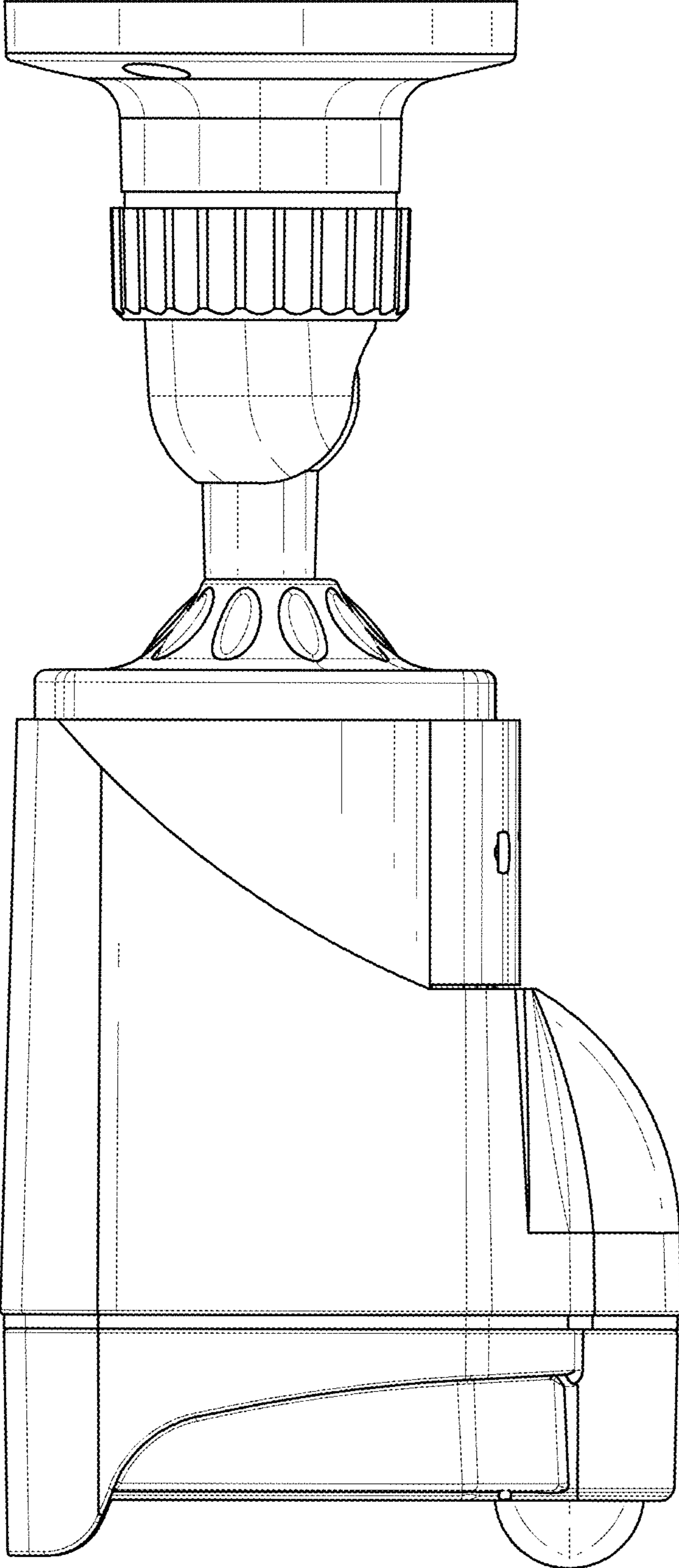


FIG. 5

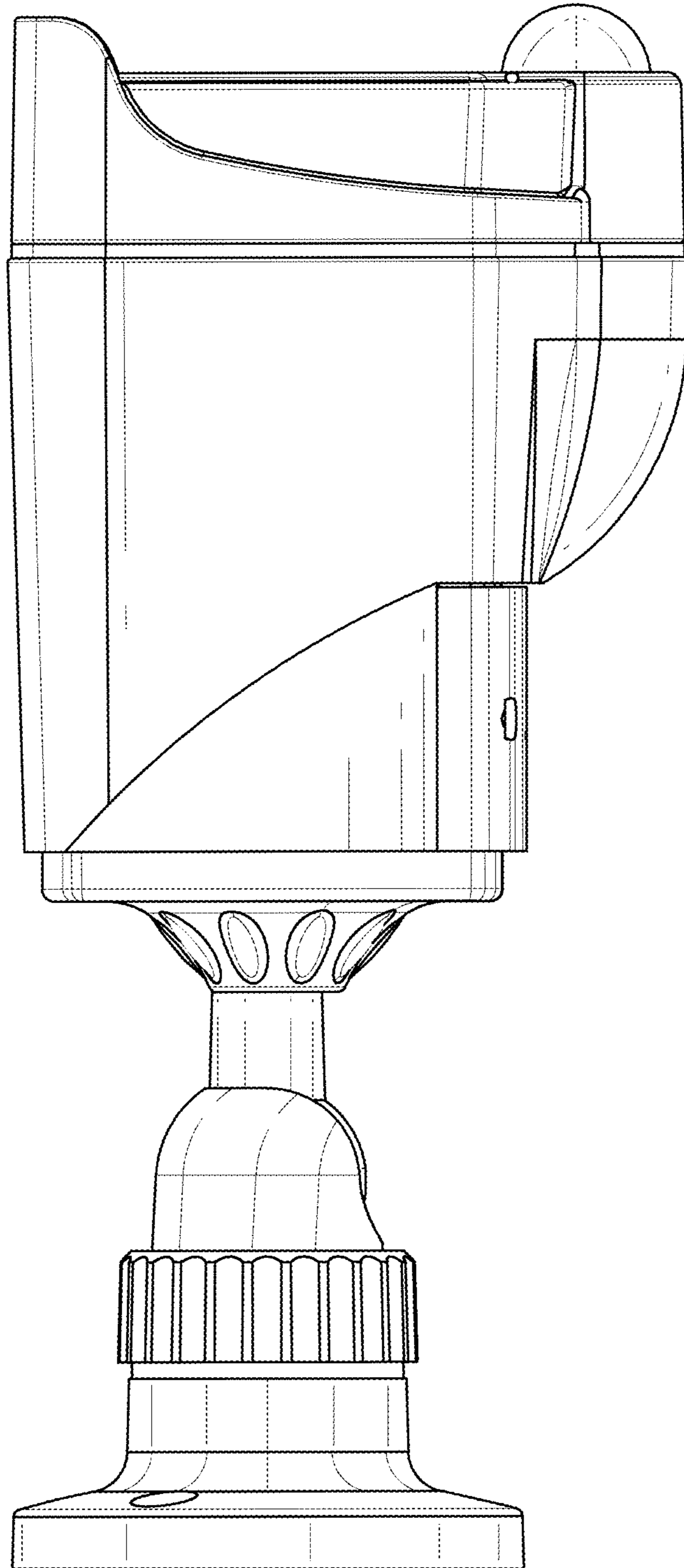


FIG. 6

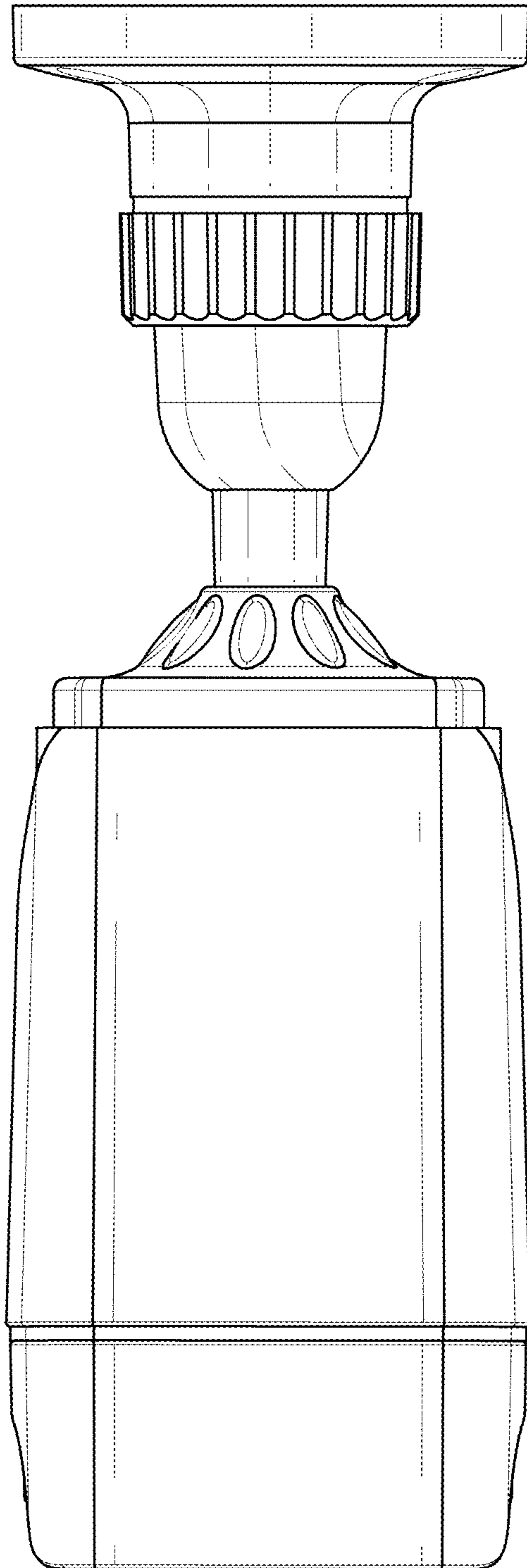


FIG. 7

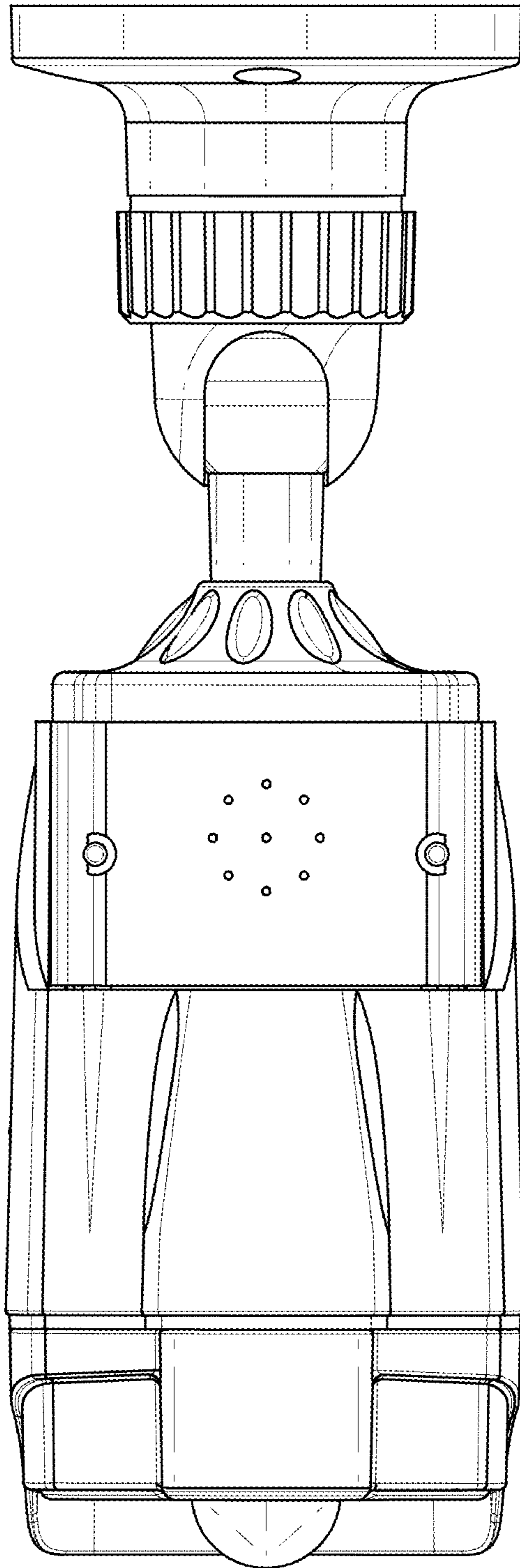


FIG. 8