



US00D881969S

(12) **United States Design Patent**
Li

(10) **Patent No.:** **US D881,969 S**

(45) **Date of Patent:** **** Apr. 21, 2020**

(54) **HUNTING CAMERA**

(71) Applicant: **Shenzhen Suntek Intelligent Technology Co., Ltd**, Shenzhen, Guangdong (CN)

(72) Inventor: **Banghe Li**, Guangdong (CN)

(73) Assignee: **Shenzhen Suntek Intelligent Technology Co., Ltd**, Shenzhen (CN)

(**) Term: **15 Years**

(21) Appl. No.: **29/679,055**

(22) Filed: **Feb. 1, 2019**

(30) **Foreign Application Priority Data**

Jan. 9, 2019 (CN) 2019 3 0010116

(51) **LOC (12) Cl.** **16-01**

(52) **U.S. Cl.**
USPC **D16/203**

(58) **Field of Classification Search**

USPC D16/200, 202-206, 218, 219, 242;
348/143, 148, 151, 155, 164, 373-376;
396/419, 427, 535, 539-541

CPC G03B 17/02; G03B 19/04; G03B 17/56;
G03B 17/04; G03B 15/03; H04N 5/2251;
H04N 5/2252; H04N 5/2253; H04N
5/2254; H04N 7/181; H04N 7/183; H04N
7/18; G08B 13/1963; G08B 13/19619;
G08B 13/19632; G08B 13/19602; G08B
13/19634

See application file for complete search history.

(56) **References Cited**

U.S. PATENT DOCUMENTS

| | | | | | |
|-----------|------|---------|-----------|-------|-----------------------|
| 7,534,056 | B2 * | 5/2009 | Cross | | F16M 11/10 348/143 |
| D616,009 | S * | 5/2010 | Schnell | | D16/218 |
| D628,224 | S * | 11/2010 | Barley | | D16/203 |
| D653,276 | S * | 1/2012 | Schnell | | D16/218 |
| D655,735 | S * | 3/2012 | Barley | | D16/203 |
| D655,736 | S * | 3/2012 | Barley | | D16/203 |
| D673,991 | S * | 1/2013 | Schnell | | D16/218 |
| D674,833 | S * | 1/2013 | Cuddeback | | D16/203 |
| D691,647 | S * | 10/2013 | Ye | | D16/203 |
| D721,116 | S * | 1/2015 | Schnell | | D16/218 |
| D860,289 | S * | 9/2019 | Chen | | D16/203 |
| D874,537 | S * | 2/2020 | Ye | | D16/203 |
| D874,538 | S * | 2/2020 | Qi | | D16/203 |

* cited by examiner

Primary Examiner — Ramzi S Almatrahi

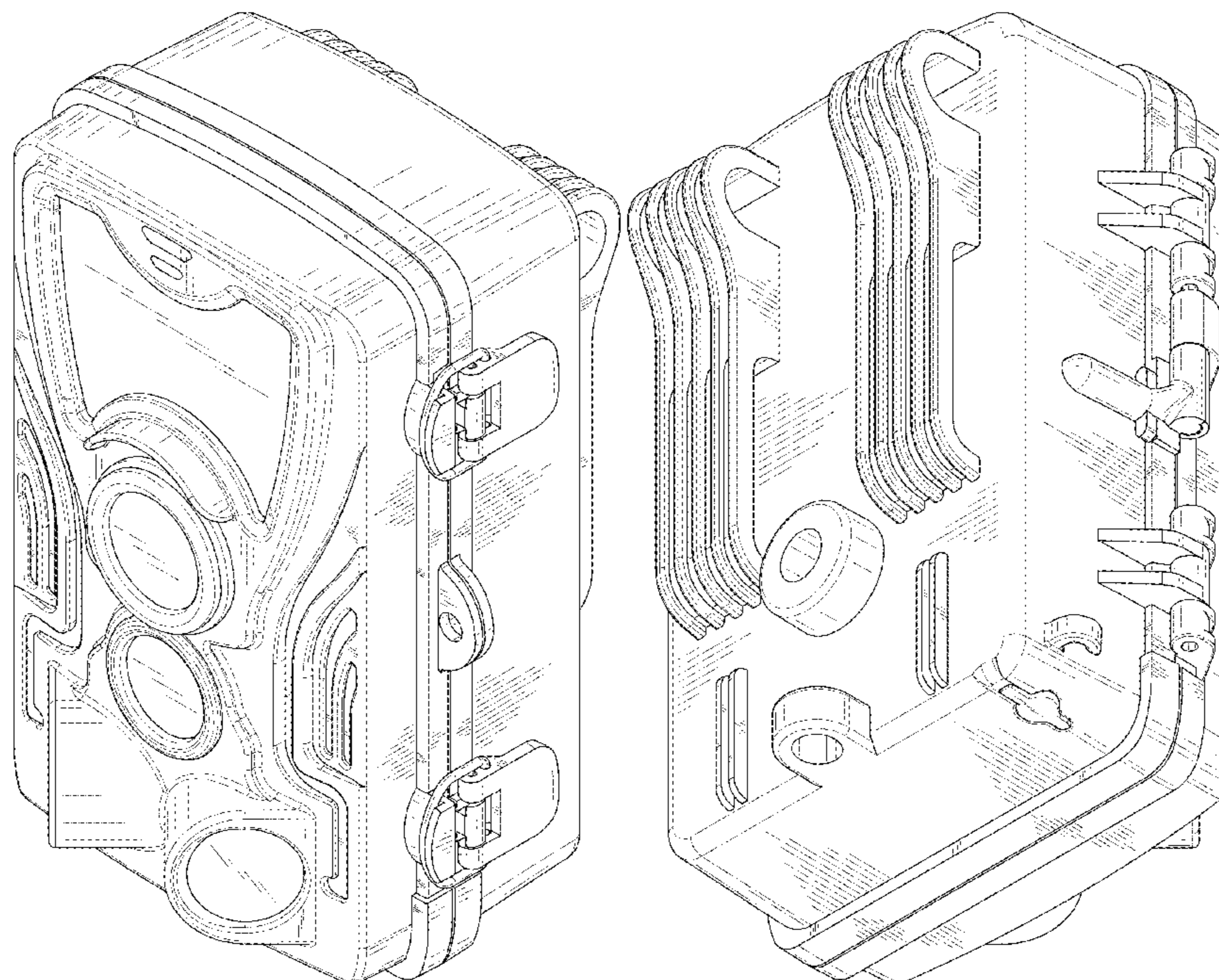
(57) **CLAIM**

The ornamental design for a hunting camera, as shown and described.

DESCRIPTION

FIG. 1 is a front elevational view of a hunting camera showing my new design;
FIG. 2 is a rear elevational view thereof;
FIG. 3 is a left side view thereof;
FIG. 4 is a right side view thereof;
FIG. 5 is a top plan view thereof;
FIG. 6 is a bottom plan view thereof;
FIG. 7 is a top, front and right side perspective view thereof;
and,
FIG. 8 is a bottom, rear and left side perspective view thereof.

1 Claim, 8 Drawing Sheets



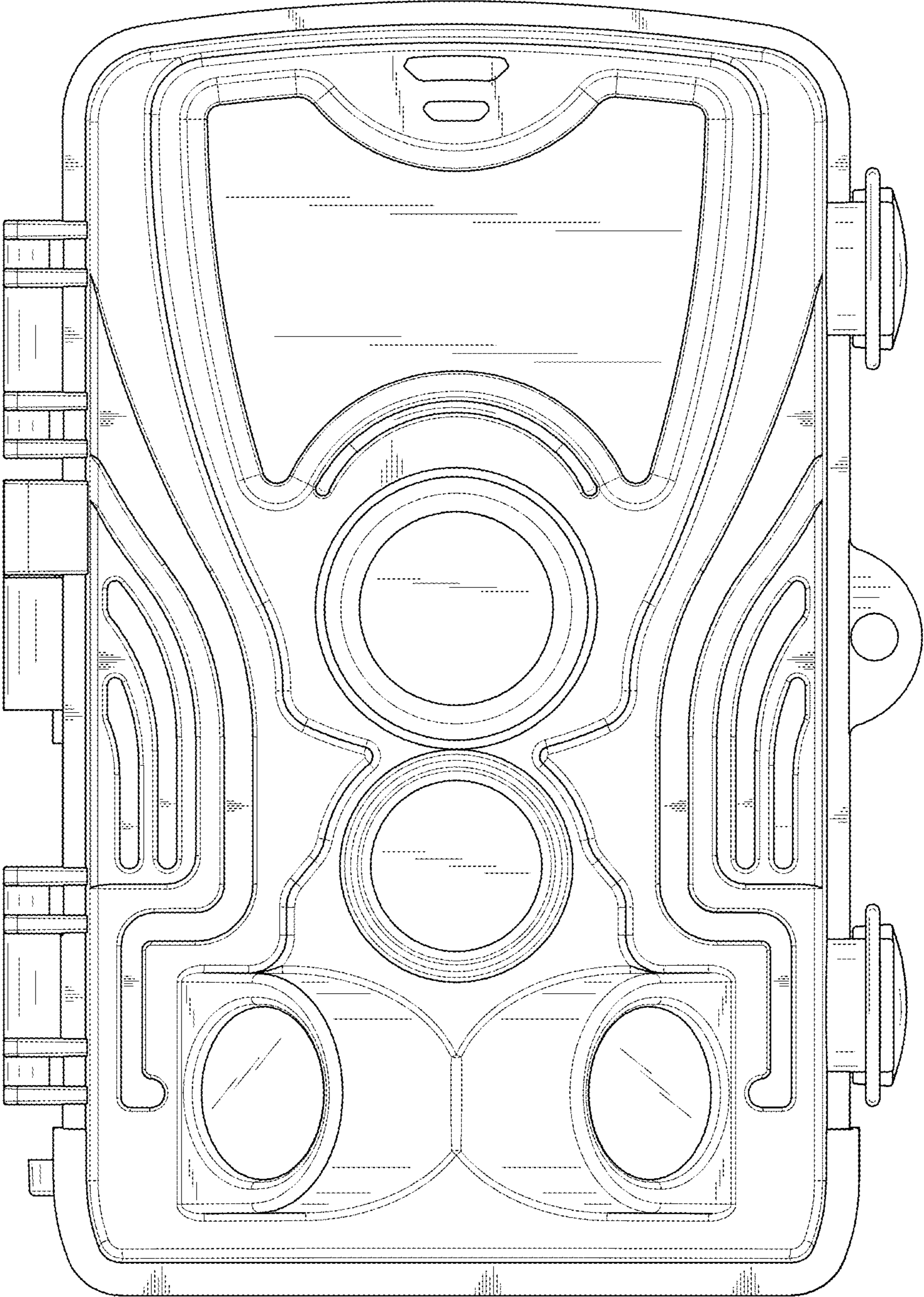


FIG.1

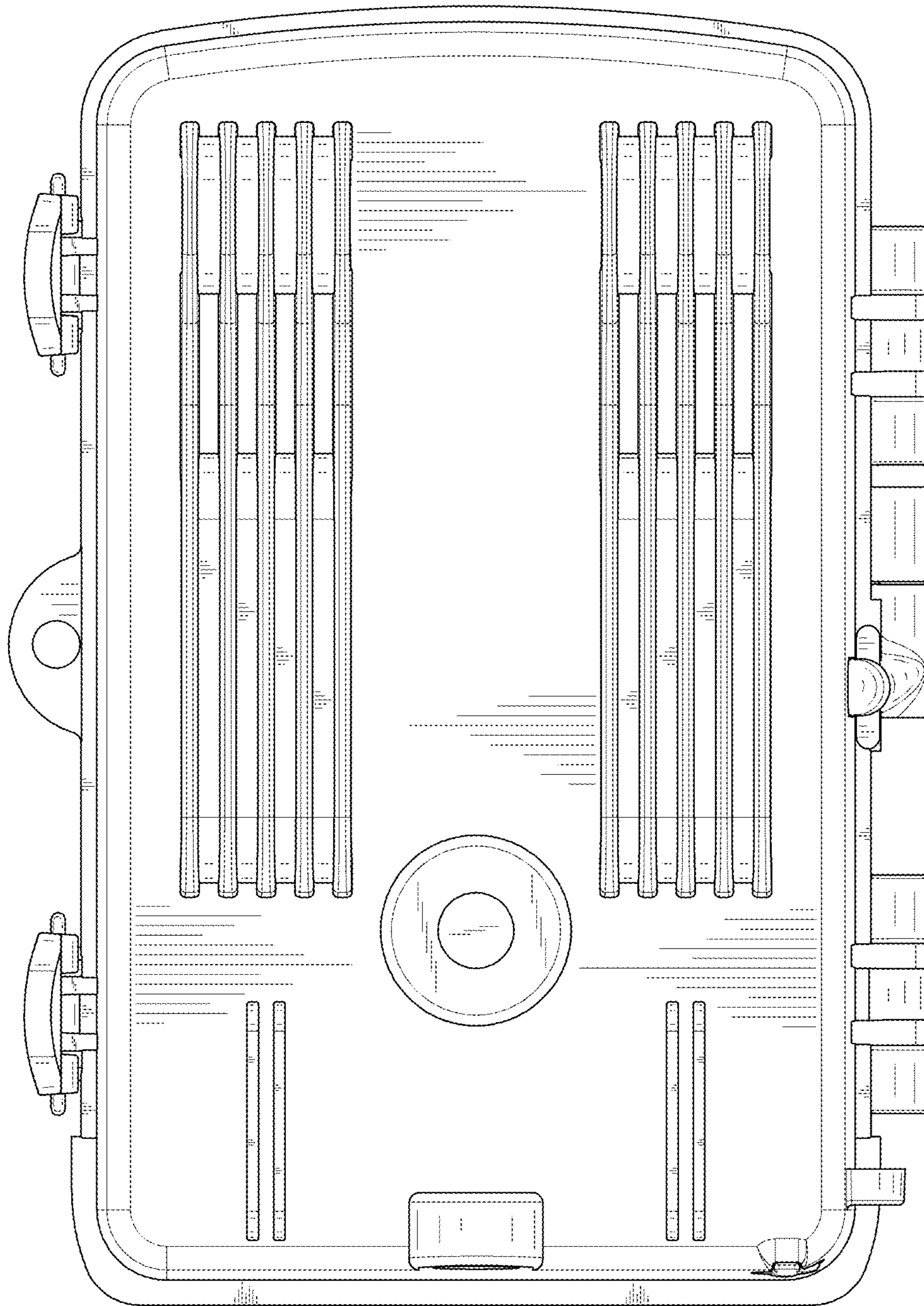


FIG.2

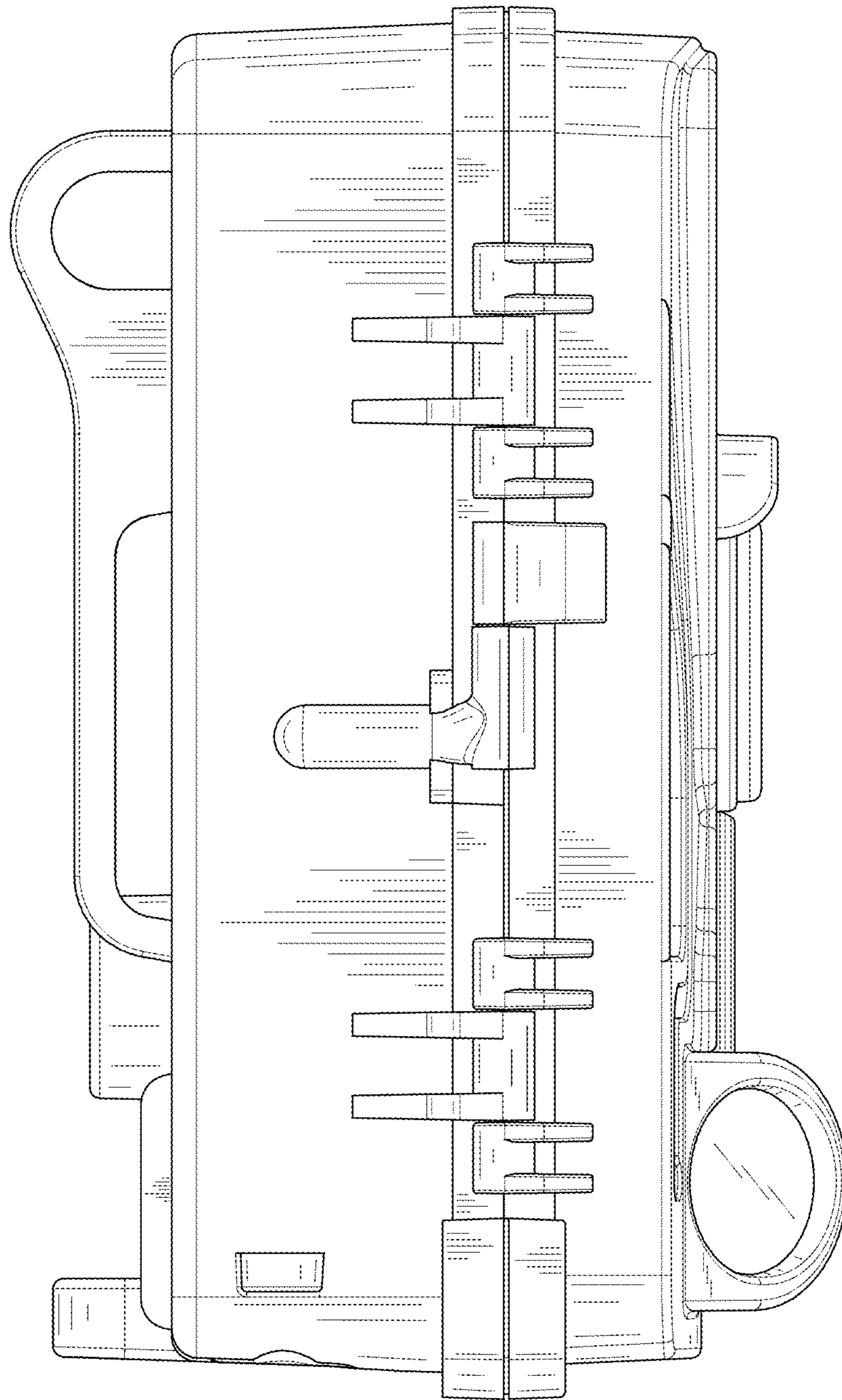


FIG.3

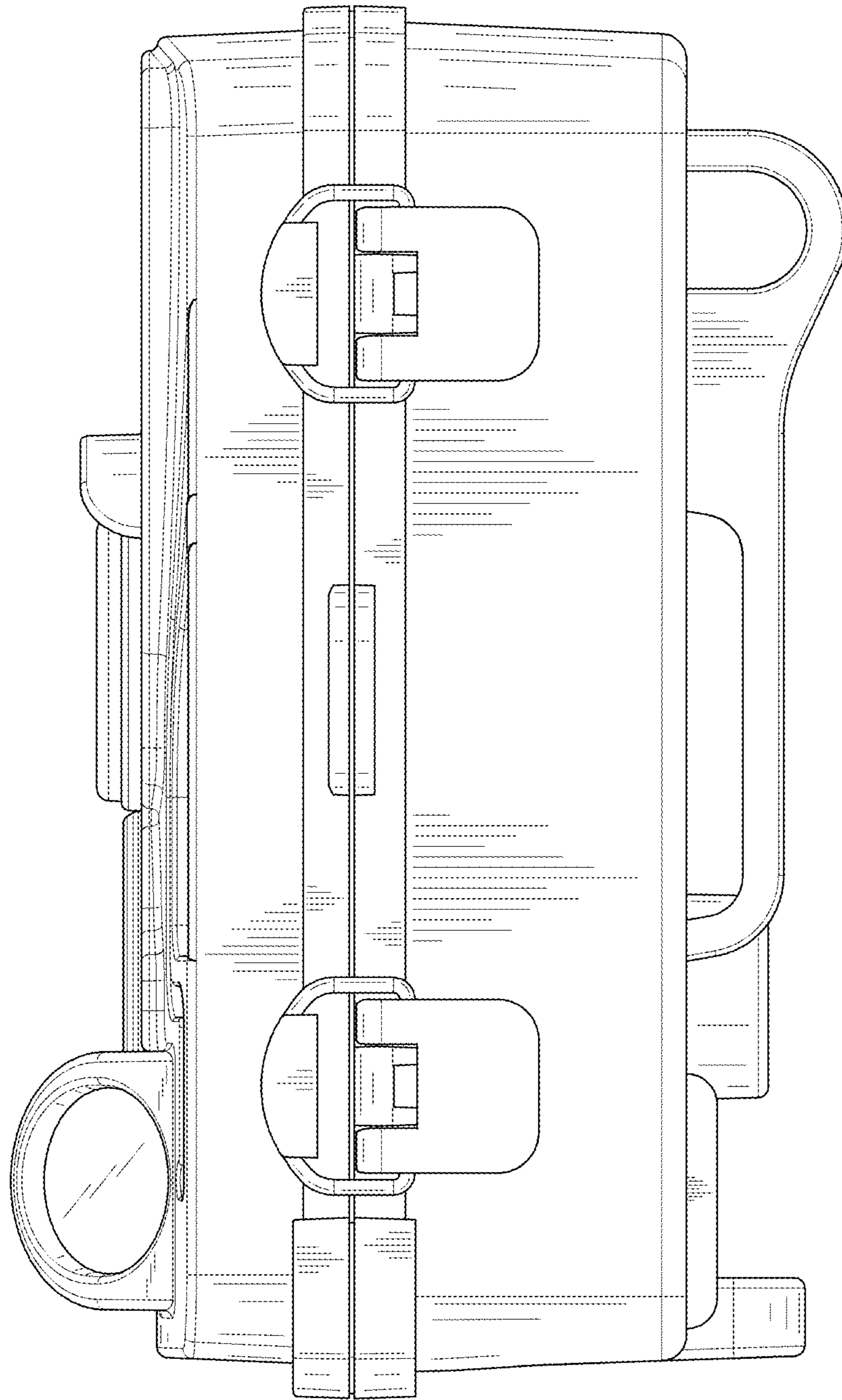


FIG.4

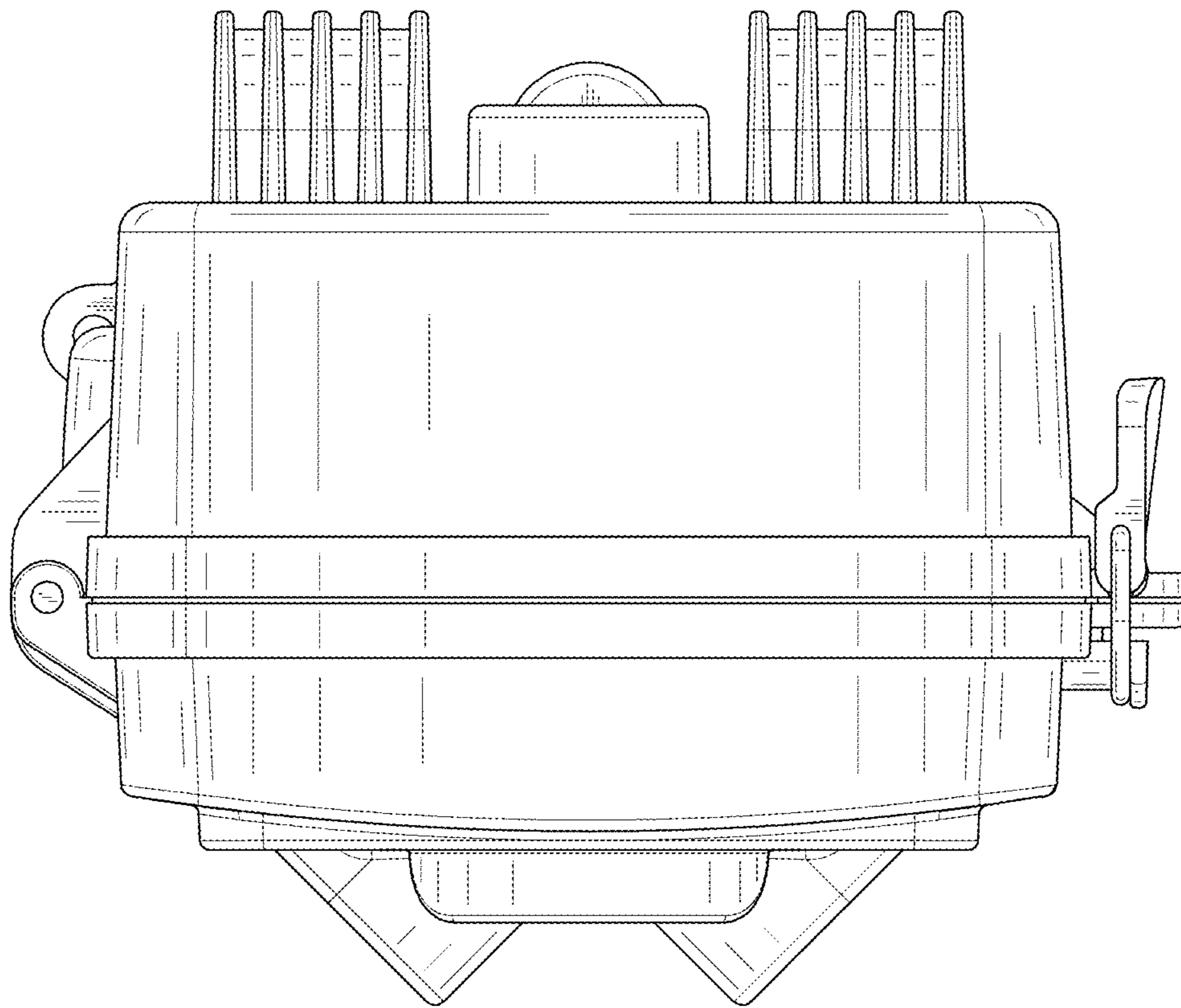


FIG.5

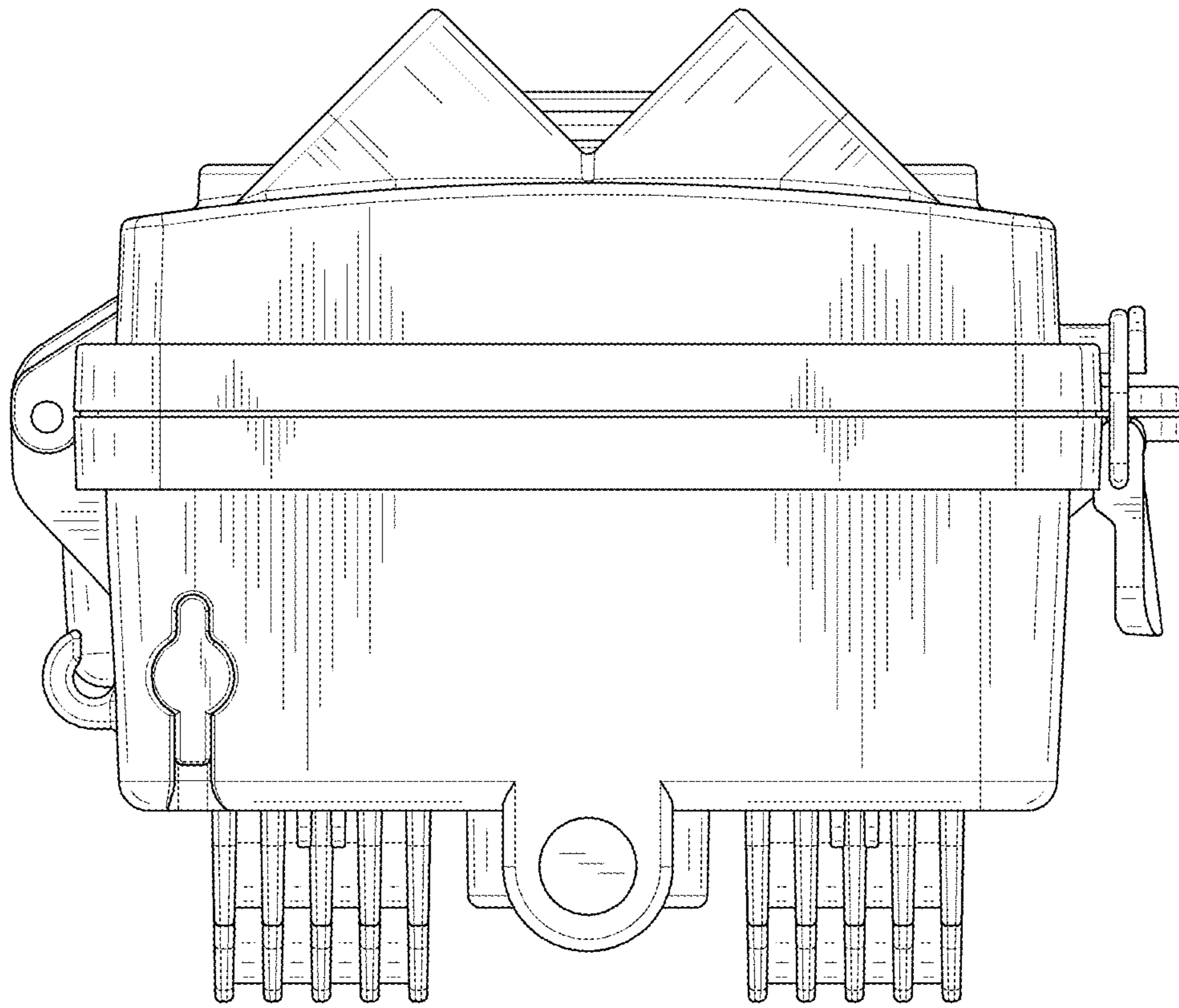


FIG.6

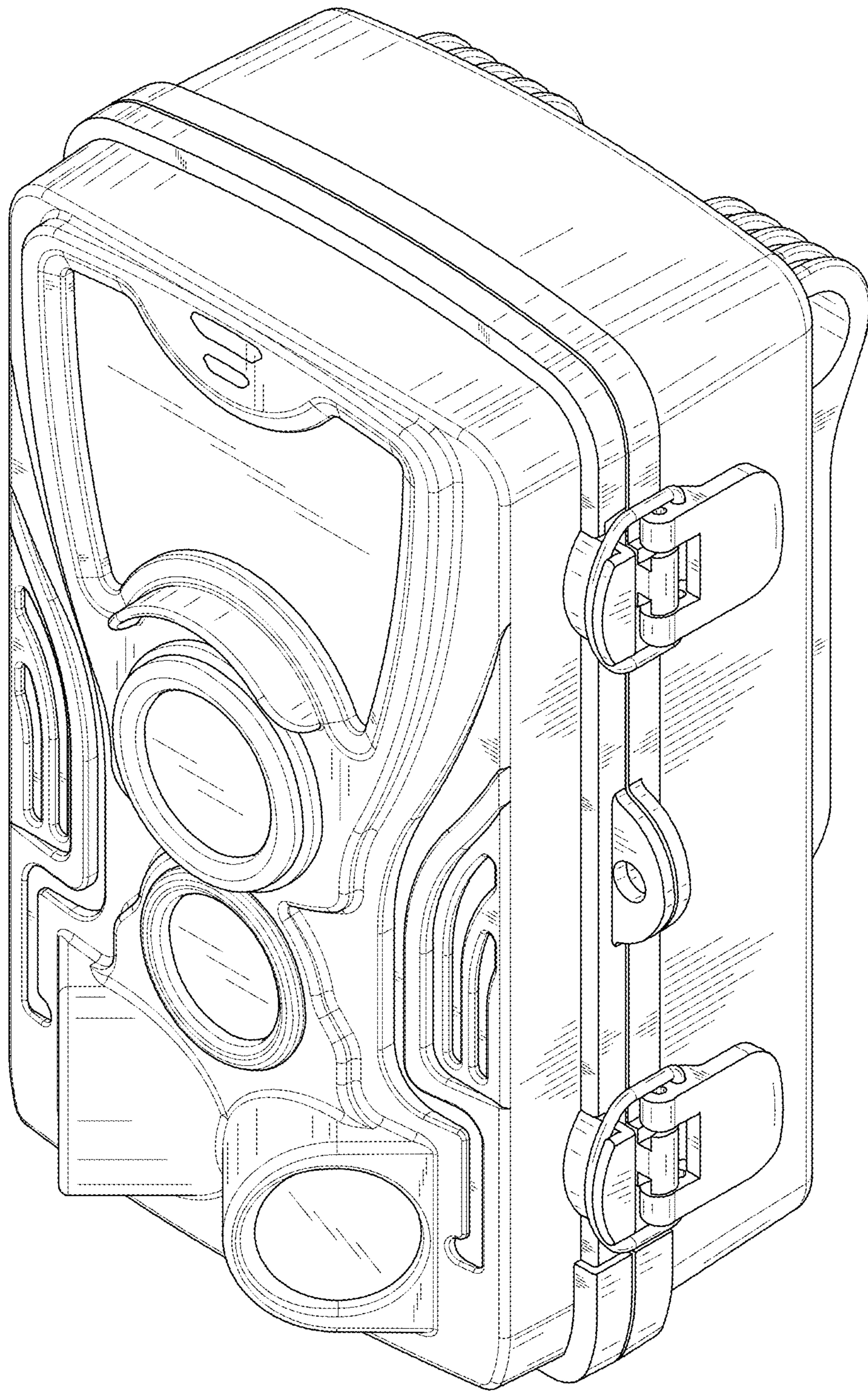


FIG.7

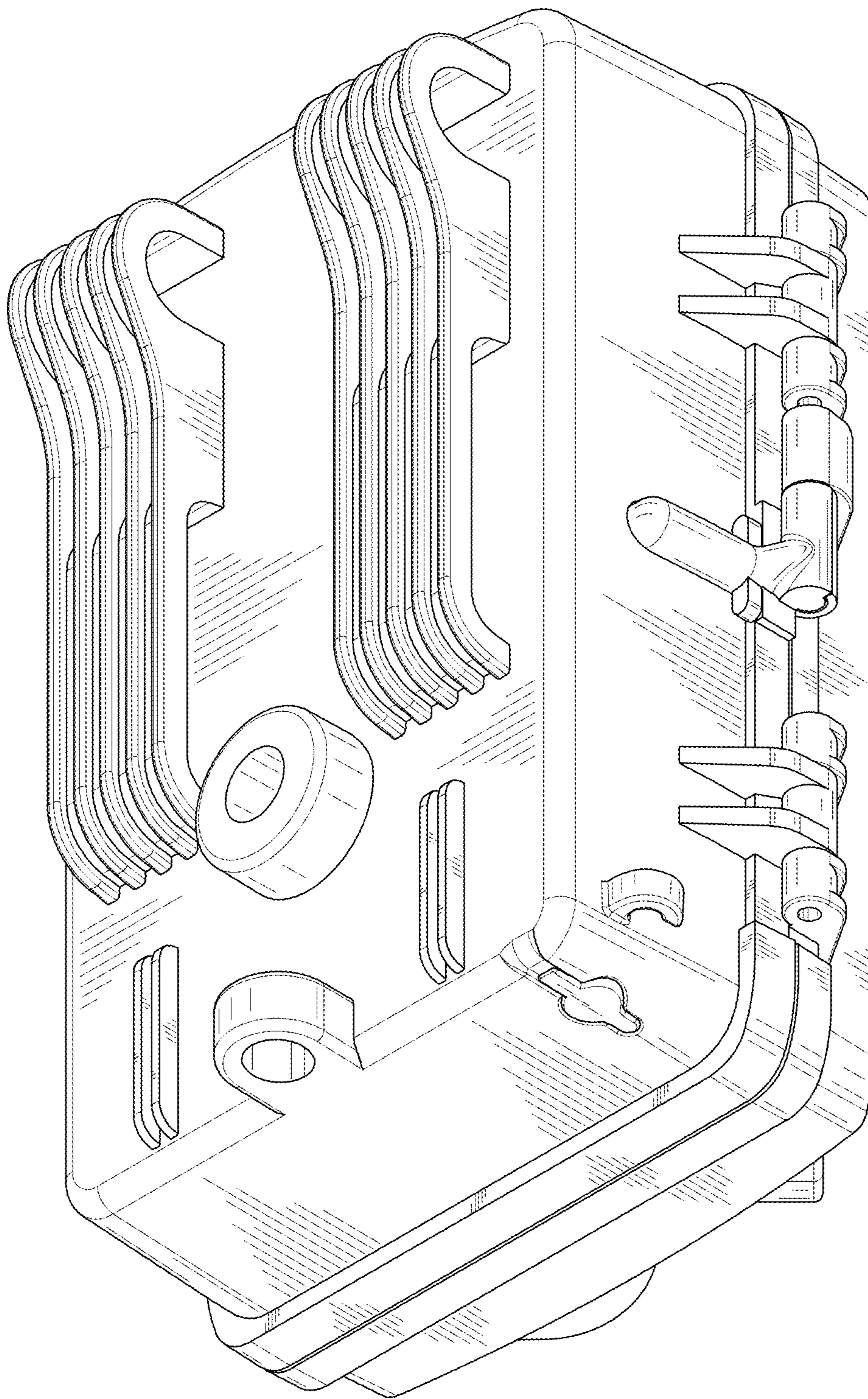


FIG.8