



US00D881967S

(12) **United States Design Patent**
Zhang

(10) **Patent No.:** **US D881,967 S**

(45) **Date of Patent:** **** Apr. 21, 2020**

(54) **CAMERA**

(71) Applicant: **Shen Zhen Shi Ju Hui Tao Jin Chu Kou Co., Ltd.**, Guangdong (CN)

(72) Inventor: **Changlin Zhang**, XinJiang (CN)

(**) Term: **15 Years**

(21) Appl. No.: **29/633,532**

(22) Filed: **Jan. 15, 2018**

(51) **LOC (12) Cl.** **16-01**

(52) **U.S. Cl.**
USPC **D16/203**

(58) **Field of Classification Search**

USPC D16/200–220, 131, 237, 242, 239, 250,
D16/235, 130, 134, 136, 238;
D14/138 C, 240, 248, 203.1, 203.3, 203.7,
D14/218, 207; D10/104.1, 50, 65, 74,
D10/70, 118.2; D26/28, 29, 34, 51, 52,
D26/60, 61, 722; D3/260; D30/109,
D30/104, 106, 107; D22/136
CPC . G02B 7/02; G02B 7/021; G02B 7/04; G02B
7/14; G02B 7/003; G03B 17/00; G03B
17/02; G03B 17/56; G03B 17/04; G03B
17/14; G03B 17/08; G03B 15/03; G03B
15/06; H04N 5/2251; H04N 5/2252;
H04N 5/2253; H04N 5/2254; H04N 7/00;
H04N 2101/00; F16M 13/00

See application file for complete search history.

(56) **References Cited**

U.S. PATENT DOCUMENTS

D410,479 S * 6/1999 Sawai D16/202
D462,068 S * 8/2002 Solland D14/216
D485,544 S * 1/2004 Solland D14/216
D552,650 S * 10/2007 Yamakawa D16/203
7,724,302 B2 * 5/2010 Yu H04N 1/00519
348/373
D626,984 S * 11/2010 Miyaji D16/202

D663,731 S * 7/2012 Pajic D14/408
D685,438 S * 7/2013 Fan D15/199
D690,344 S * 9/2013 Hollinger D16/200
D725,514 S * 3/2015 Broadbent D10/74
D741,931 S * 10/2015 Huang D16/202
D742,955 S * 11/2015 Kozko D16/207
D746,276 S * 12/2015 Schumaker D14/314
D751,619 S * 3/2016 Jeong D16/203
D752,544 S * 3/2016 Chen D14/207
D752,548 S * 3/2016 Chen D14/207

(Continued)

FOREIGN PATENT DOCUMENTS

CN 300924705 * 5/2009
CN 302322232 * 2/2013

(Continued)

Primary Examiner — T Chase Nelson

Assistant Examiner — Mary Claire Ramirez

(74) *Attorney, Agent, or Firm* — Prakash Nama; Global IP Services, PLLC

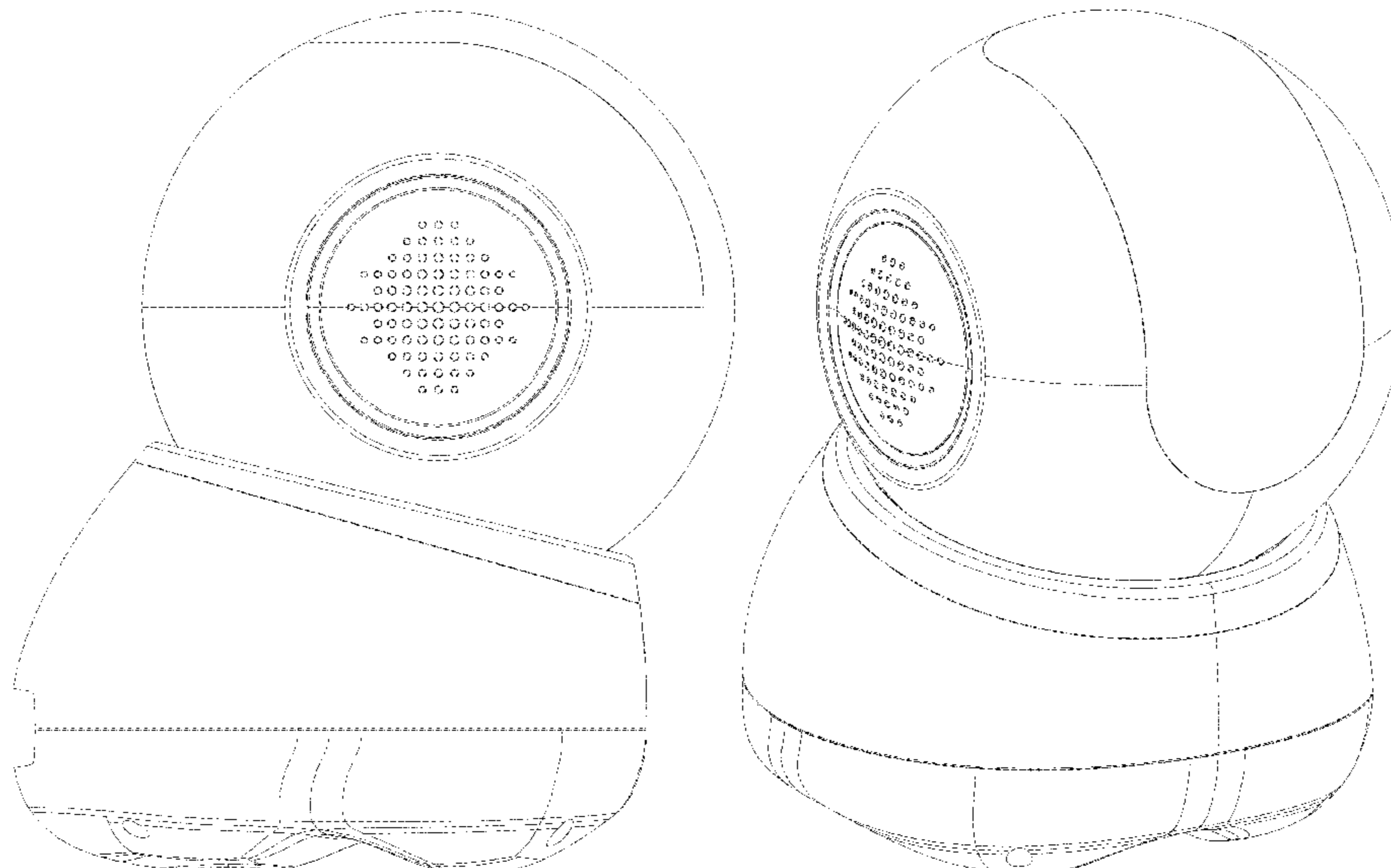
(57) **CLAIM**

The ornamental design for a camera, as shown and described.

DESCRIPTION

FIG. 1 is a front elevational view of a camera showing my new design;
FIG. 2 is a rear elevational view thereof;
FIG. 3 is a left side view thereof;
FIG. 4 is a right side view thereof;
FIG. 5 is a top plan view thereof;
FIG. 6 is a bottom plan view thereof;
FIG. 7 is a perspective view thereof;
FIG. 8 is a second perspective view thereof;
FIG. 9 is a third perspective view thereof; and,
FIG. 10 is a fourth perspective view thereof.
The broken lines shown in the drawings depict portions of the camera that form no part of the claimed design.

1 Claim, 10 Drawing Sheets



(56)

References Cited

U.S. PATENT DOCUMENTS

D752,675 S * 3/2016 Ravat D16/203
 D753,204 S * 4/2016 Luo D16/202
 D753,206 S * 4/2016 Ravat D16/203
 D757,835 S * 5/2016 Tabuchi D16/203
 D760,648 S * 7/2016 Lee D13/108
 D776,739 S * 1/2017 Urashima D16/203
 D777,235 S * 1/2017 Jang D16/203
 D793,363 S * 8/2017 Zhang D14/216
 D813,290 S * 3/2018 Song D16/203
 D813,926 S * 3/2018 Shin D16/203
 D815,172 S * 4/2018 Noh D16/202
 D815,677 S * 4/2018 Gao D16/218
 D816,756 S * 5/2018 Chang D16/210
 D819,109 S * 5/2018 Yamauchi D16/204
 D819,110 S * 5/2018 Chang D16/210
 D819,112 S * 5/2018 Kim D16/218
 D819,718 S * 6/2018 Wu D16/218
 D820,337 S * 6/2018 Li D16/203
 D824,984 S * 8/2018 Zhiyong D16/203
 D833,503 S * 11/2018 Hollinger D16/203

D834,634 S * 11/2018 Huang D16/210
 D836,151 S * 12/2018 Chang D16/210
 D836,690 S * 12/2018 Kim D15/199
 D836,698 S * 12/2018 Hathway D16/203
 D838,758 S * 1/2019 Kymm D15/199
 D849,094 S * 5/2019 Gan D16/203
 D849,100 S * 5/2019 Hsu D16/210
 D850,511 S * 6/2019 Matsumoto D16/218
 D863,402 S * 10/2019 Guo D16/203
 2006/0017842 A1 * 1/2006 Jun G03B 37/02
 348/373
 2017/0230580 A1 * 8/2017 Ohara G03B 17/561
 2018/0220548 A1 * 8/2018 Onuchin H04N 5/23238

FOREIGN PATENT DOCUMENTS

CN 302815669 * 5/2014
 CN 303509413 * 12/2015
 CN 303509481 * 12/2015
 CN 303635231 * 4/2016
 EM 002293084-0001 * 11/2013

* cited by examiner

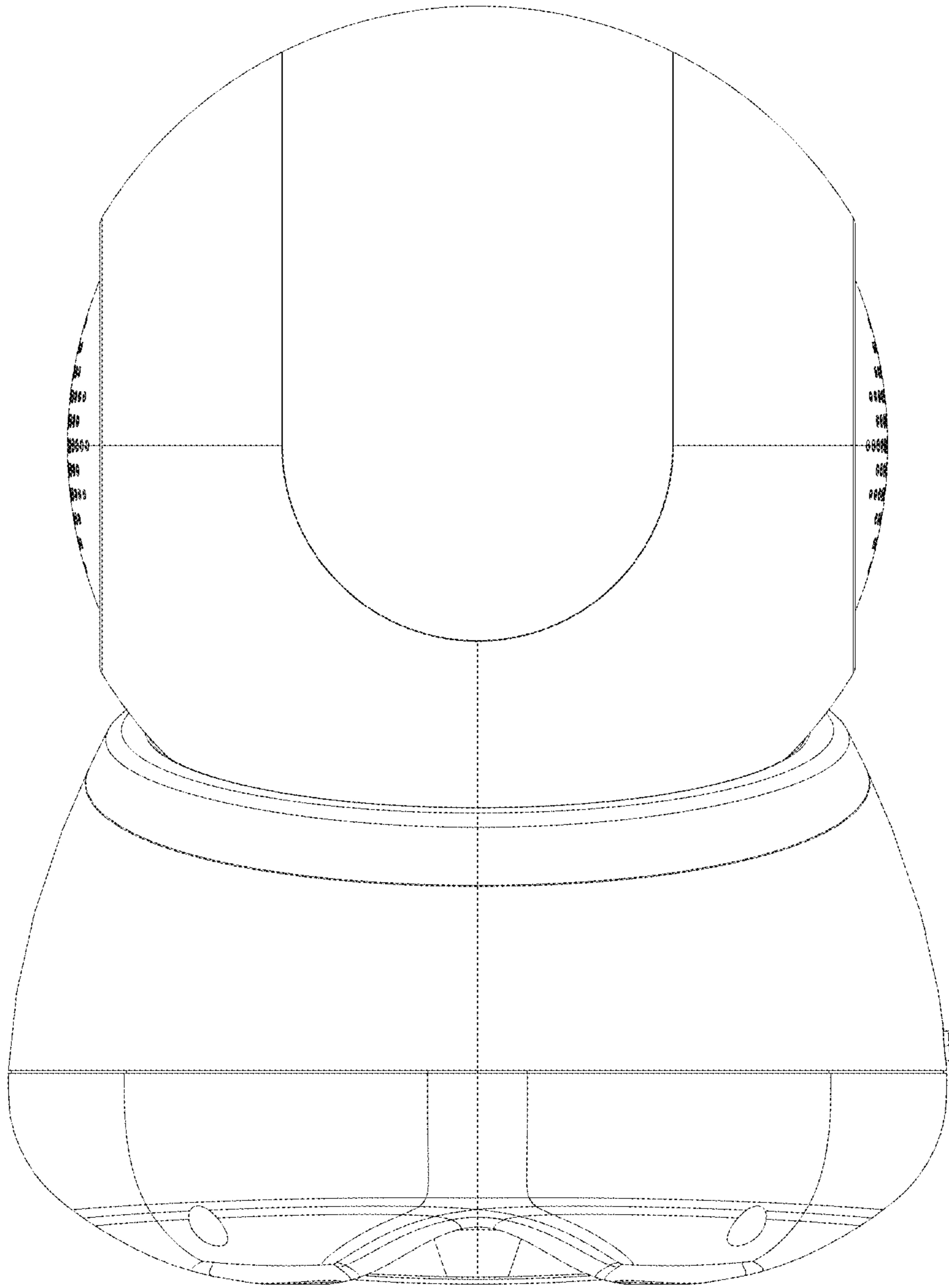


Fig. 1

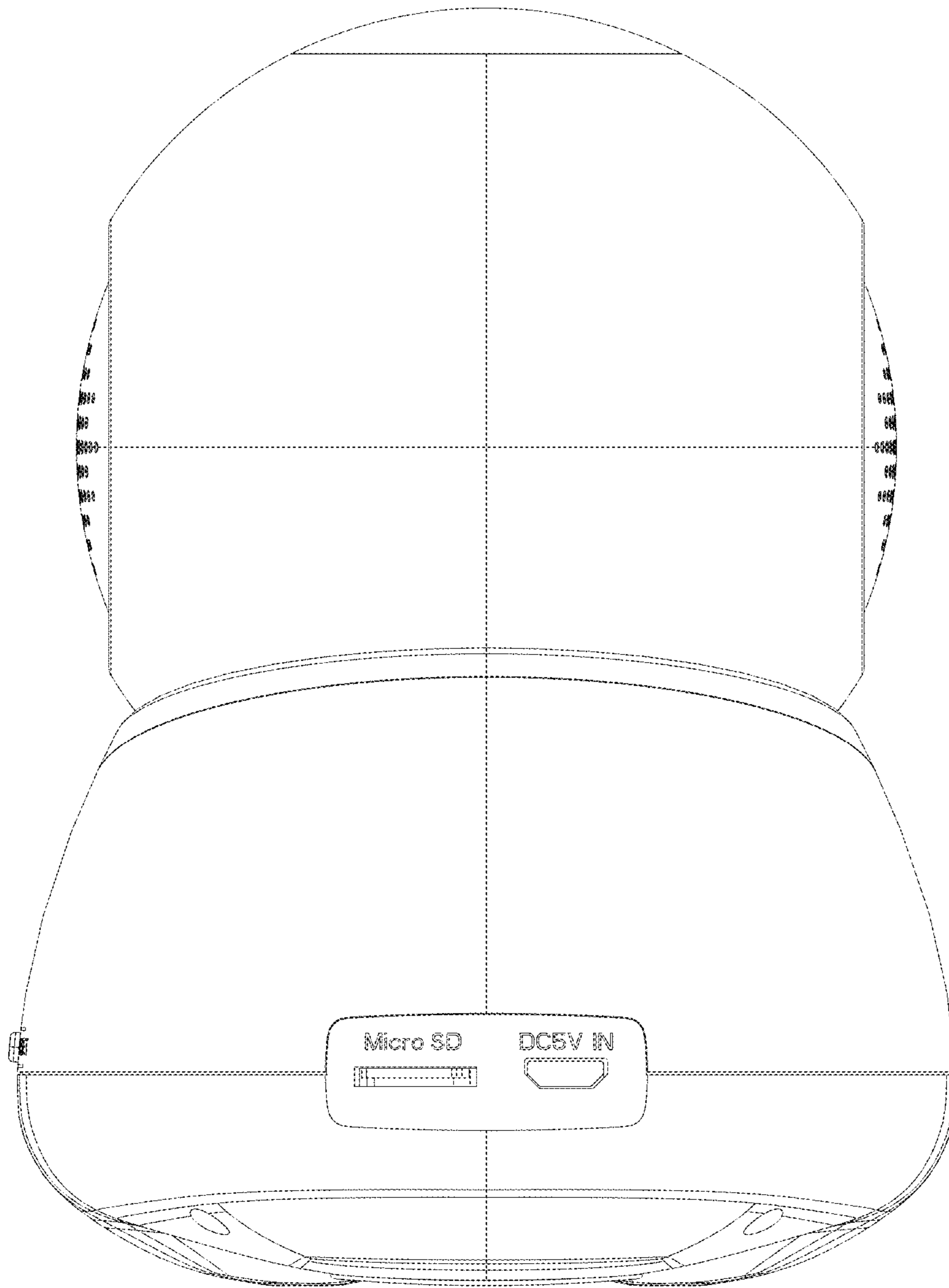


Fig. 2

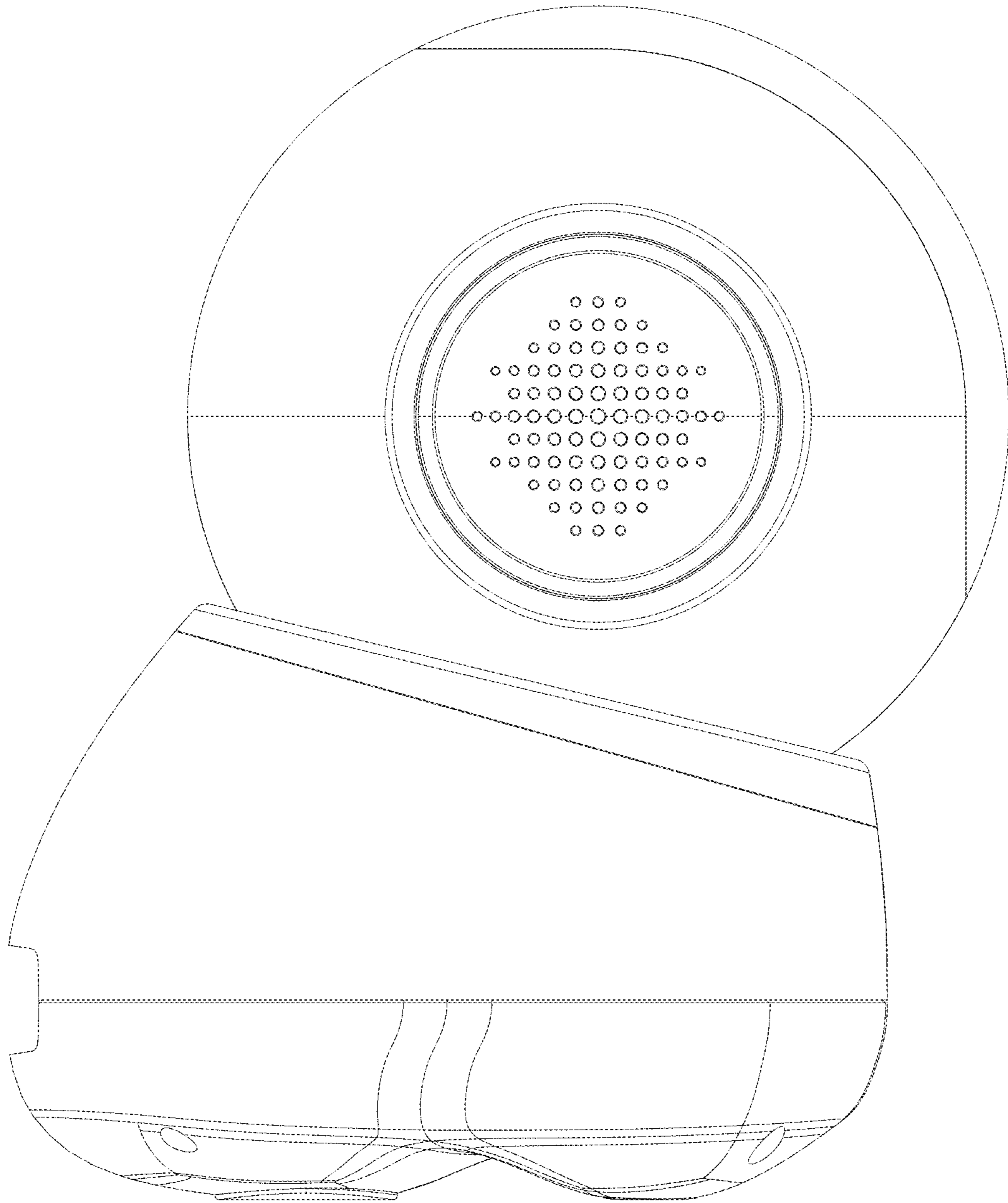


Fig. 3

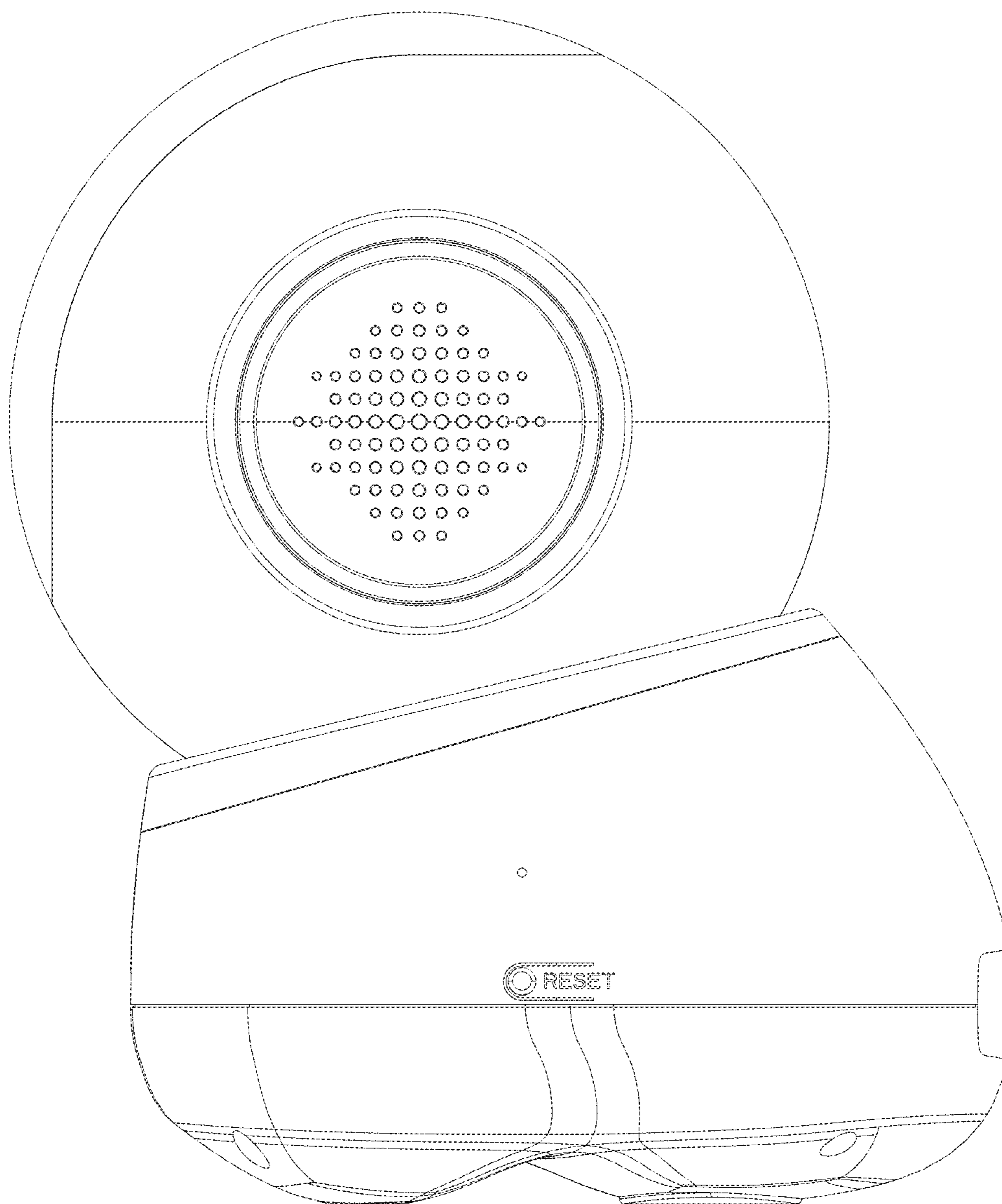


Fig. 4

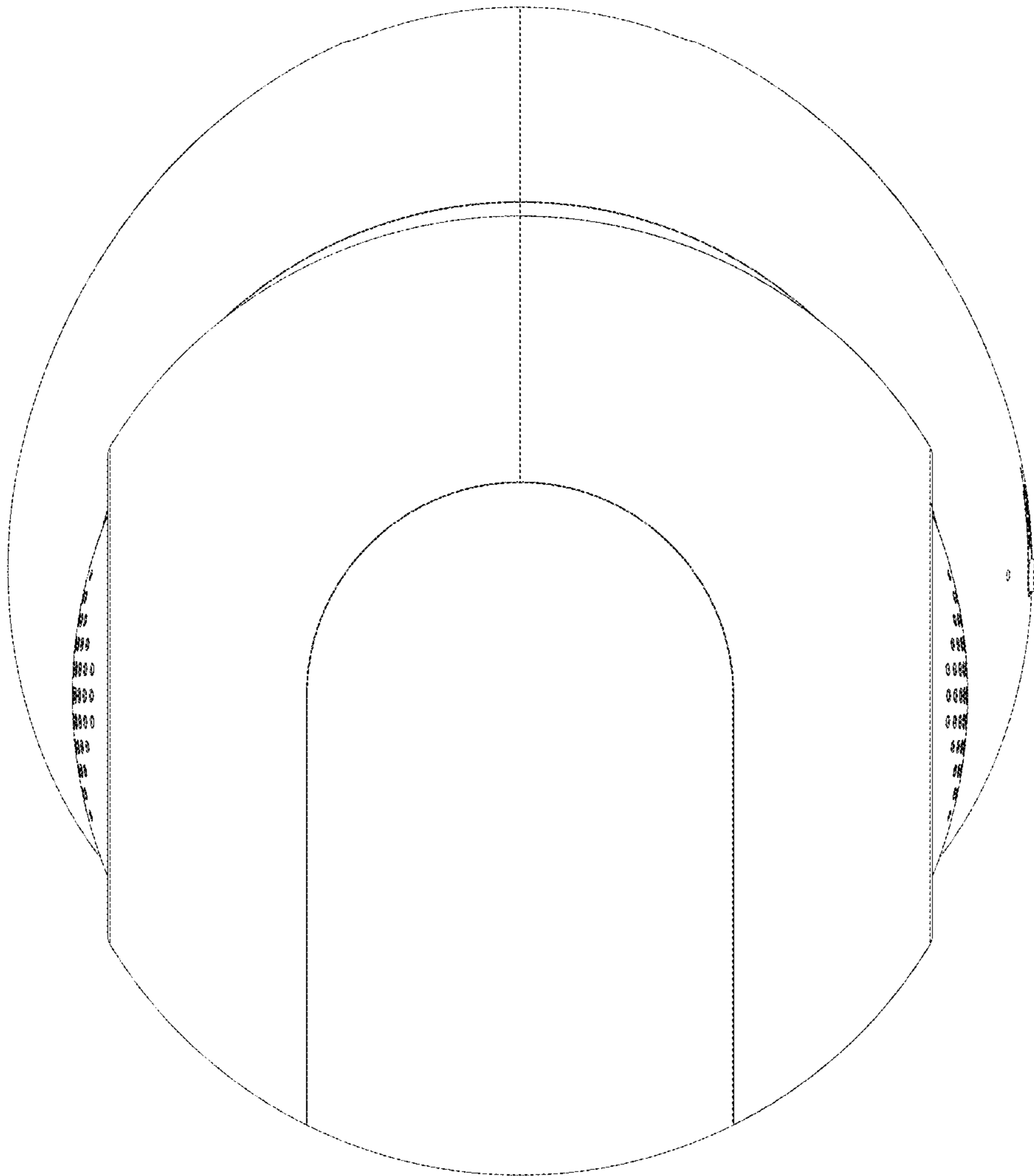


Fig. 5

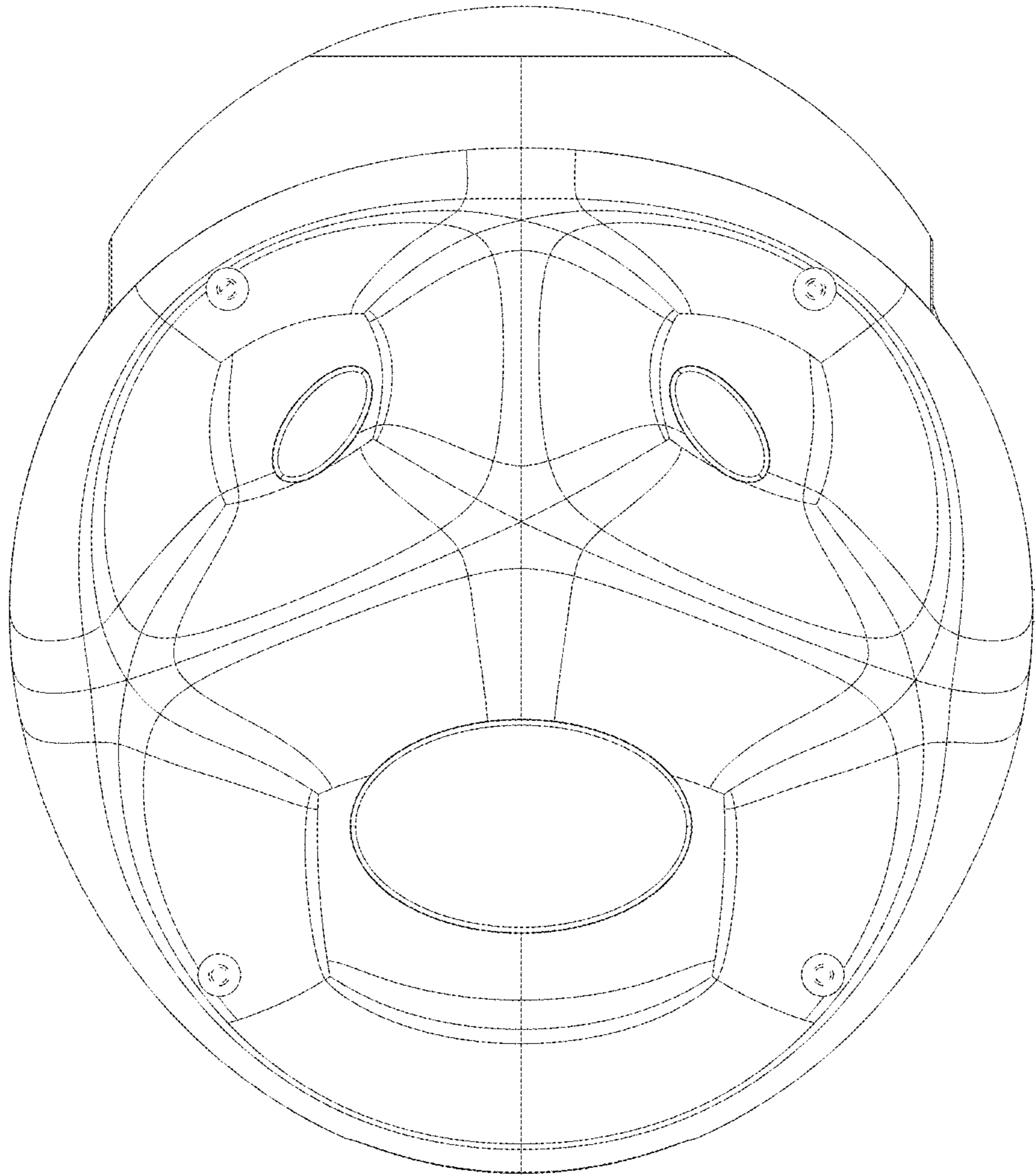


Fig. 6

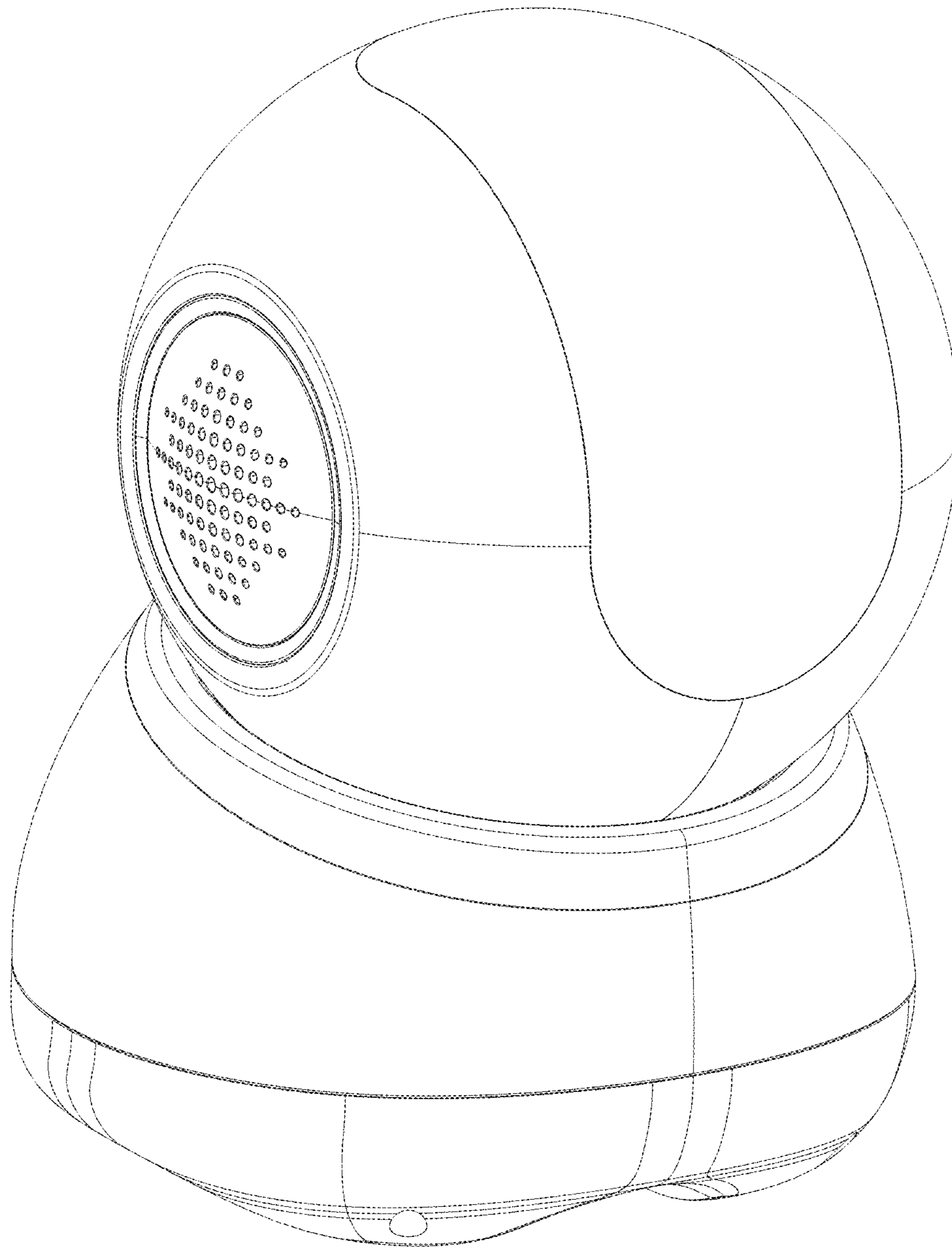


Fig. 7

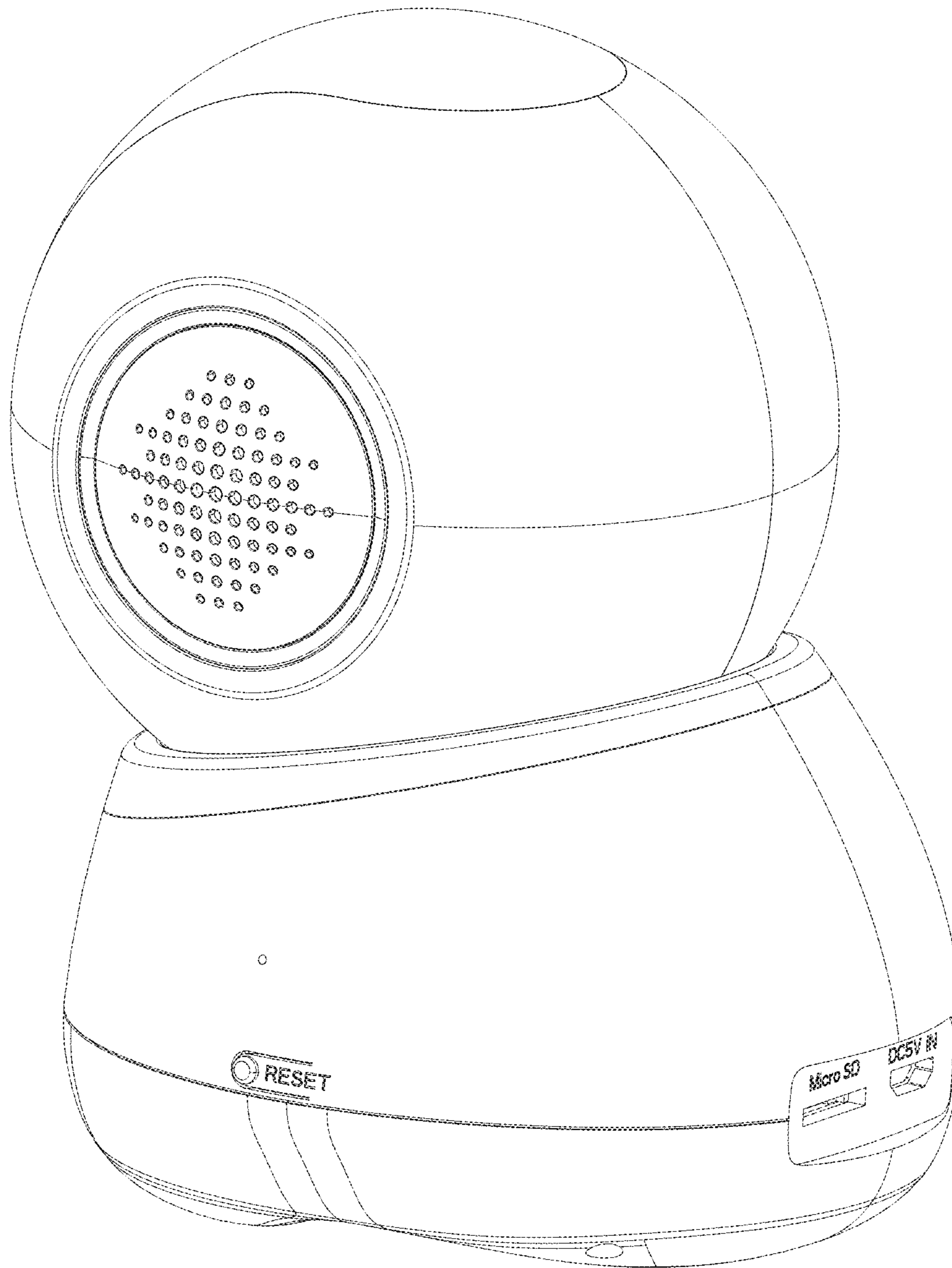


Fig. 8

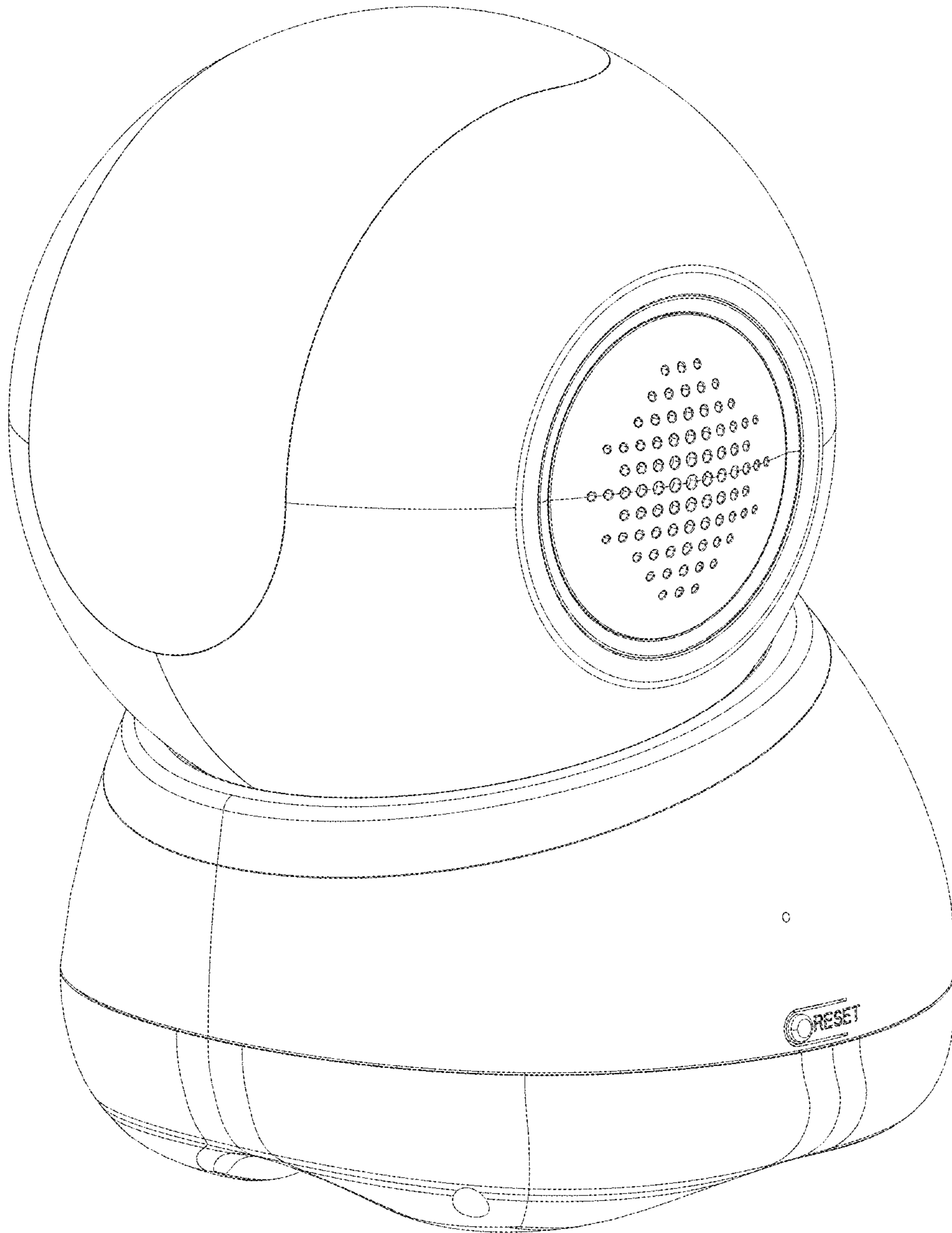


Fig. 9

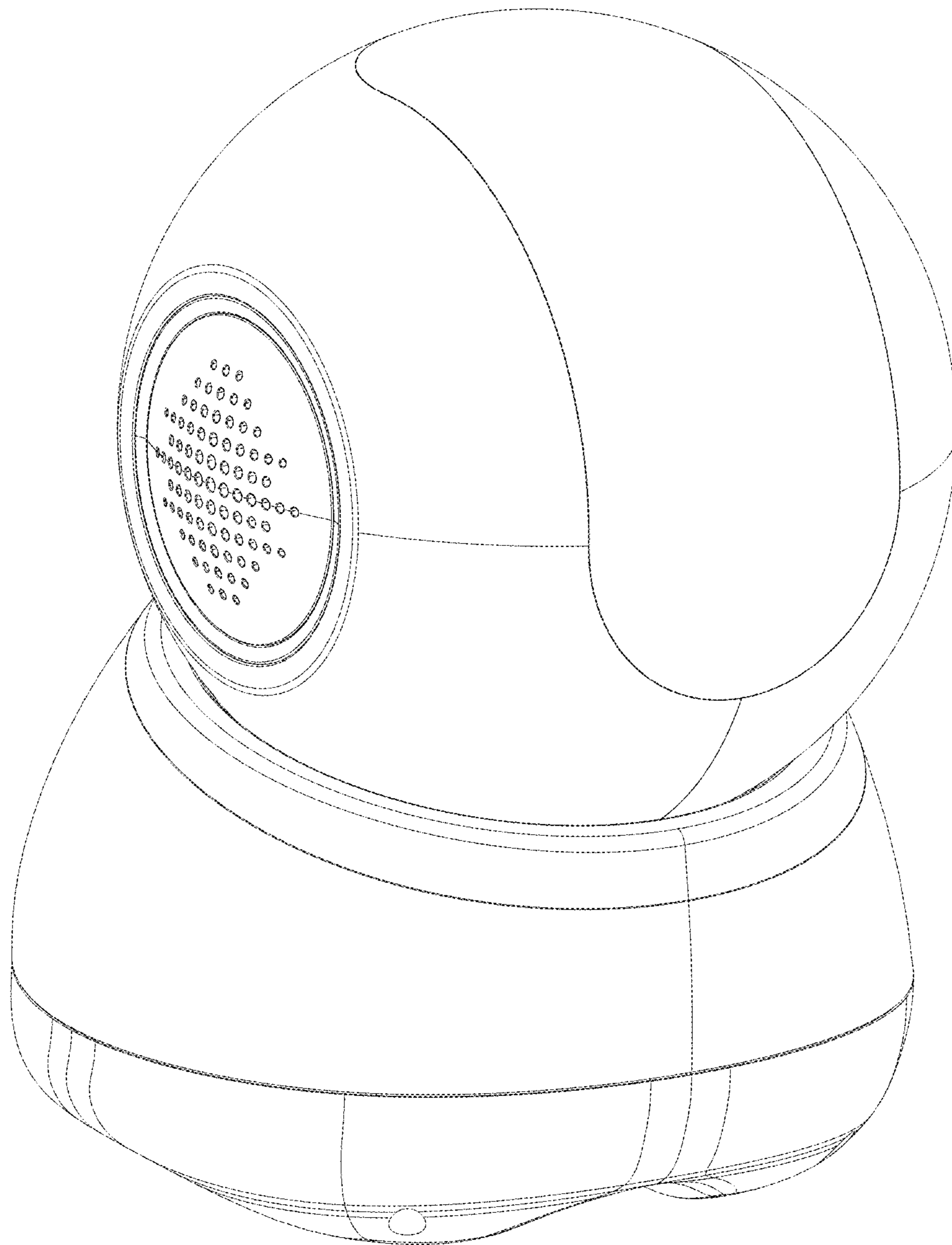


Fig. 10