



US00D881965S

(12) **United States Design Patent**
Liu et al.

(10) **Patent No.:** **US D881,965 S**
(45) **Date of Patent:** **** Apr. 21, 2020**

(54) **STAND FOR A SURGICAL MICROSCOPE**

6,434,416 B1 * 8/2002 Mizoguchi G02B 21/0012
600/427
6,471,165 B2 * 10/2002 Twisselmann F16M 11/18
248/123.11
6,646,798 B2 * 11/2003 Schmidt A61B 90/25
359/382

(71) Applicant: **Carl Zeiss Meditec AG**, Jena (DE)

(72) Inventors: **Jinpeng Liu**, Xi'an (CN); **Xiao Han**,
Shanghai (CN); **Sulun Jiang**, Shanghai
(CN); **Tao Ma**, Shanghai (CN);
Christian Siegel, Aalen (DE); **Graham
Keevy**, Aalen (DE)

(Continued)

FOREIGN PATENT DOCUMENTS

EM 002600643-0002 12/2014

(73) Assignee: **Carl Zeiss Meditec AG**, Jena (DE)

OTHER PUBLICATIONS

(**) Term: **15 Years**

U.S. Appl. No. 29/659,848, filed Aug. 13, 2018, Carl Zeiss Meditec
AG, Jinpeng Liu et al.

(21) Appl. No.: **29/659,860**

(Continued)

(22) Filed: **Aug. 13, 2018**

Primary Examiner — Holly E Thurman

(30) **Foreign Application Priority Data**

(74) *Attorney, Agent, or Firm* — Walter Ottesen, P.A.

Feb. 13, 2018 (CN) 2018 3 0069661

(57) **CLAIM**

The ornamental design for a stand for a surgical microscope,
as shown and described.

(51) **LOC (12) Cl.** **16-06**

DESCRIPTION

(52) **U.S. Cl.**
USPC **D16/131**

(58) **Field of Classification Search**

USPC D16/130-136; D24/107, 128, 137, 138,
D24/185, 186, 232, 234

CPC . G02B 21/004; G02B 21/008; G02B 21/0088

See application file for complete search history.

(56) **References Cited**

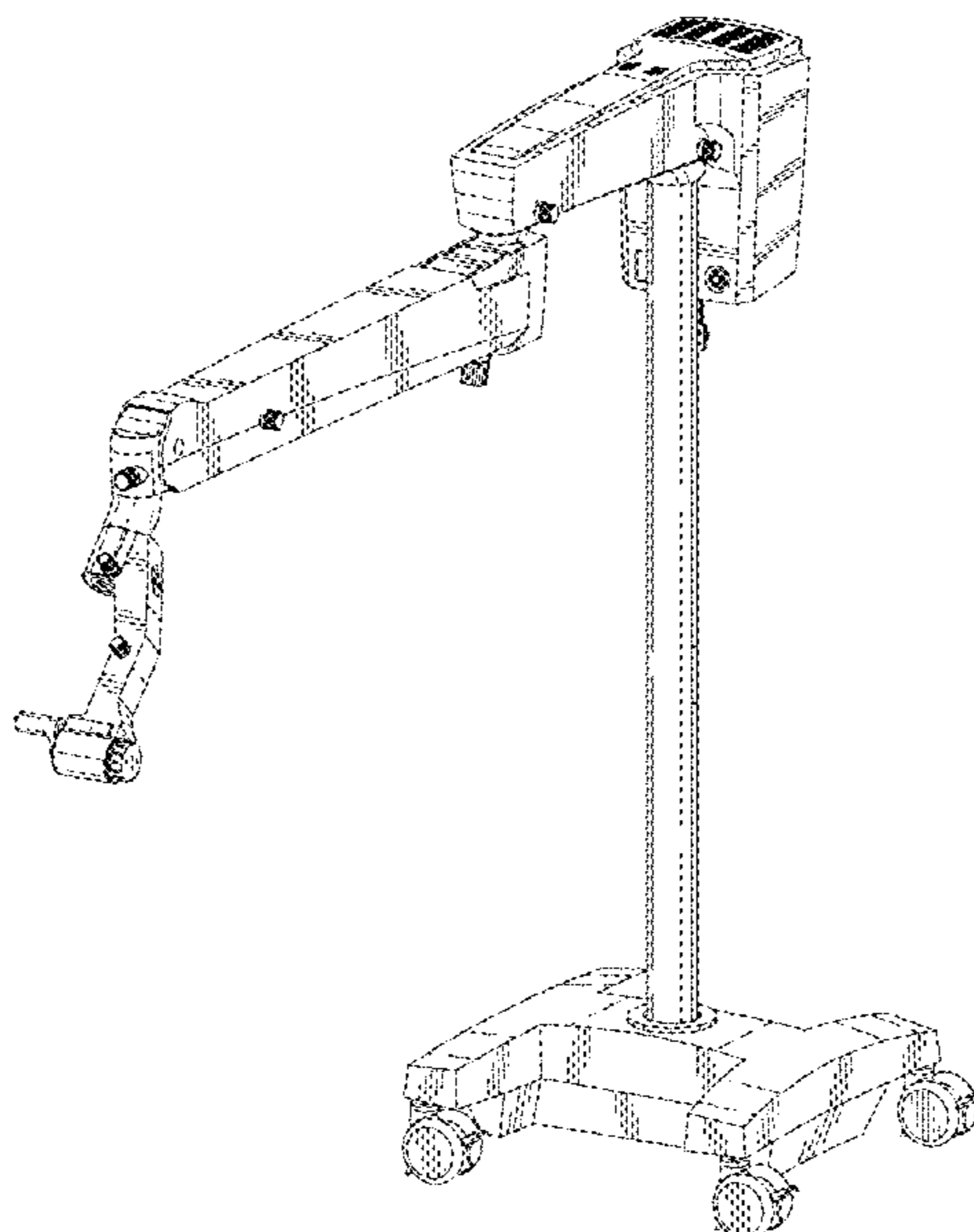
U.S. PATENT DOCUMENTS

4,241,891 A * 12/1980 Rudolph G10K 11/352
248/123.2
5,074,651 A * 12/1991 Nagamine G02B 21/0012
359/368
5,748,366 A * 5/1998 Yasunaga G02B 21/0012
359/363

FIG. 1 is a perspective view of the stand for a surgical
microscope of our new design;
FIG. 2 is a left side elevation view of the stand for a surgical
microscope of FIG. 1;
FIG. 3 is a right side elevation view of the stand for a
surgical microscope of FIG. 1;
FIG. 4 is a front elevation view of the stand for a surgical
microscope of FIG. 1;
FIG. 5 is a rear elevation view of the stand for a surgical
microscope of FIG. 1;
FIG. 6 is a top plan view of the stand for a surgical
microscope of FIG. 1; and,
FIG. 7 is a bottom plan view of the stand for a surgical
microscope of FIG. 1.

The broken lines depict portions of the stand for a surgical
microscope that form no part of the claimed design.

1 Claim, 7 Drawing Sheets



(56)

References Cited

U.S. PATENT DOCUMENTS

7,232,222	B2 *	6/2007	Kogawa	A61B 3/13 351/205
D623,210	S *	9/2010	Matuschek	D16/131
D634,344	S *	3/2011	Nusser	D16/131
D649,992	S *	12/2011	Nusser	D16/131
D758,465	S *	6/2016	Matuschek	D16/131
D800,814	S *	10/2017	Matuschek	D16/131
D811,460	S *	2/2018	Apotheloz	D16/131
D836,693	S *	12/2018	Matuschek	D16/131
D837,856	S *	1/2019	Matuschek	D16/131
D841,070	S *	2/2019	Matuschek	D16/131
D842,356	S *	3/2019	Matuschek	D16/131
D846,013	S *	4/2019	Hakoda	D16/131
2005/0109903	A1 *	5/2005	Strauss	A61B 90/25 248/280.11
2009/0219613	A1 *	9/2009	Enge	G02B 7/001 359/384
2012/0087006	A1 *	4/2012	Signaigo	G02B 7/001 359/375

OTHER PUBLICATIONS

U.S. Appl. No. 29/659,856, filed Aug. 13, 2018, Carl Zeiss Meditec AG, Jinpeng Liu et al.

Representation of Suspension System S7 in "OPMI PROergo Experience New Dimensions", pp. 7,10-15, 18; Carl Zeiss Meditec, Inc., Dublin, CA 94568, USA; DS-Nr.: 30-187/1-e/USA; publication year 2007.

Representation of Suspension System S100 in Time for a change: OPMI pico for ENT, pp. 5-7; Carl Zeiss Surgical GmbH, Oberkochen, Germany; 30-451/111-e; publication year 2005.

* cited by examiner

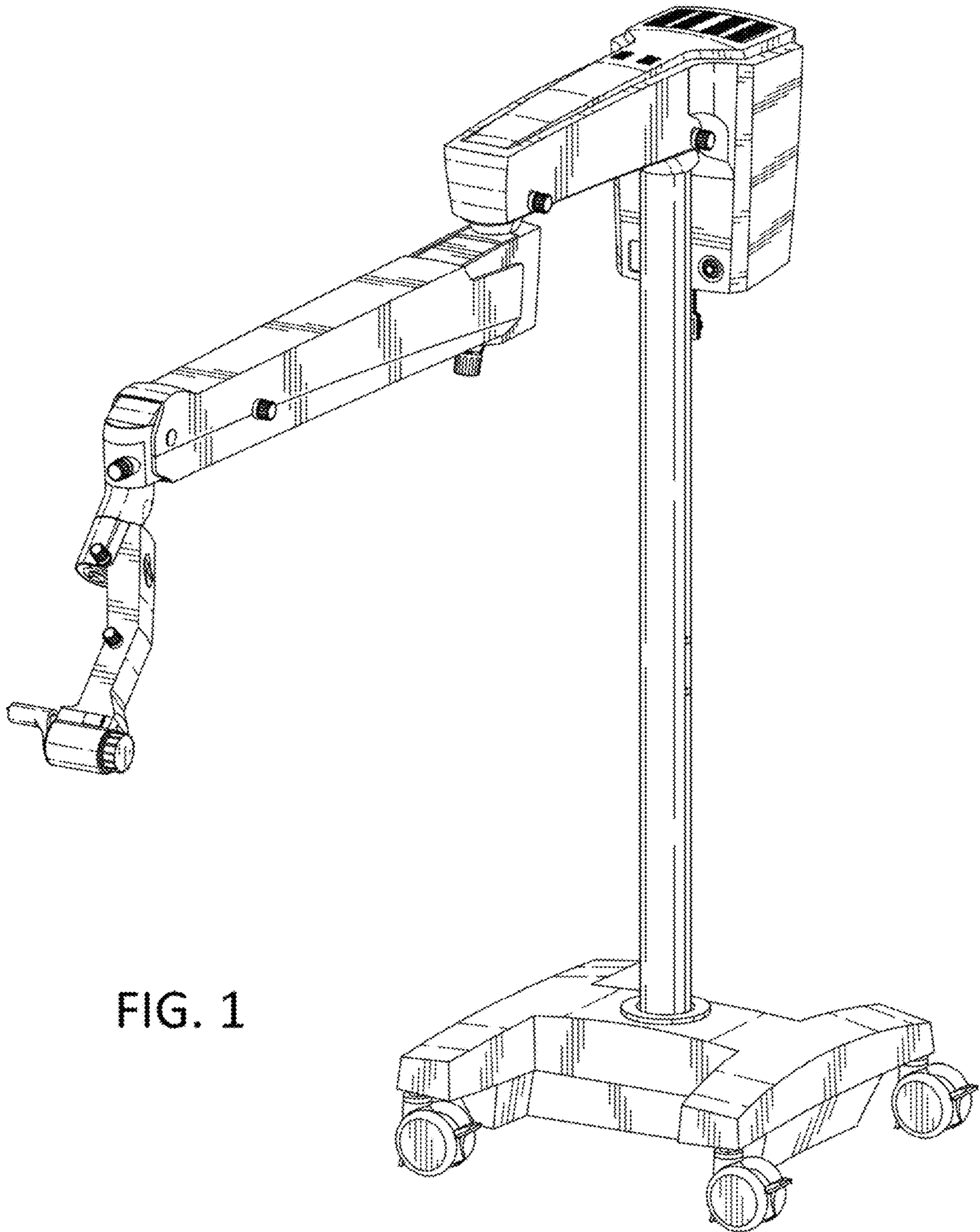


FIG. 1

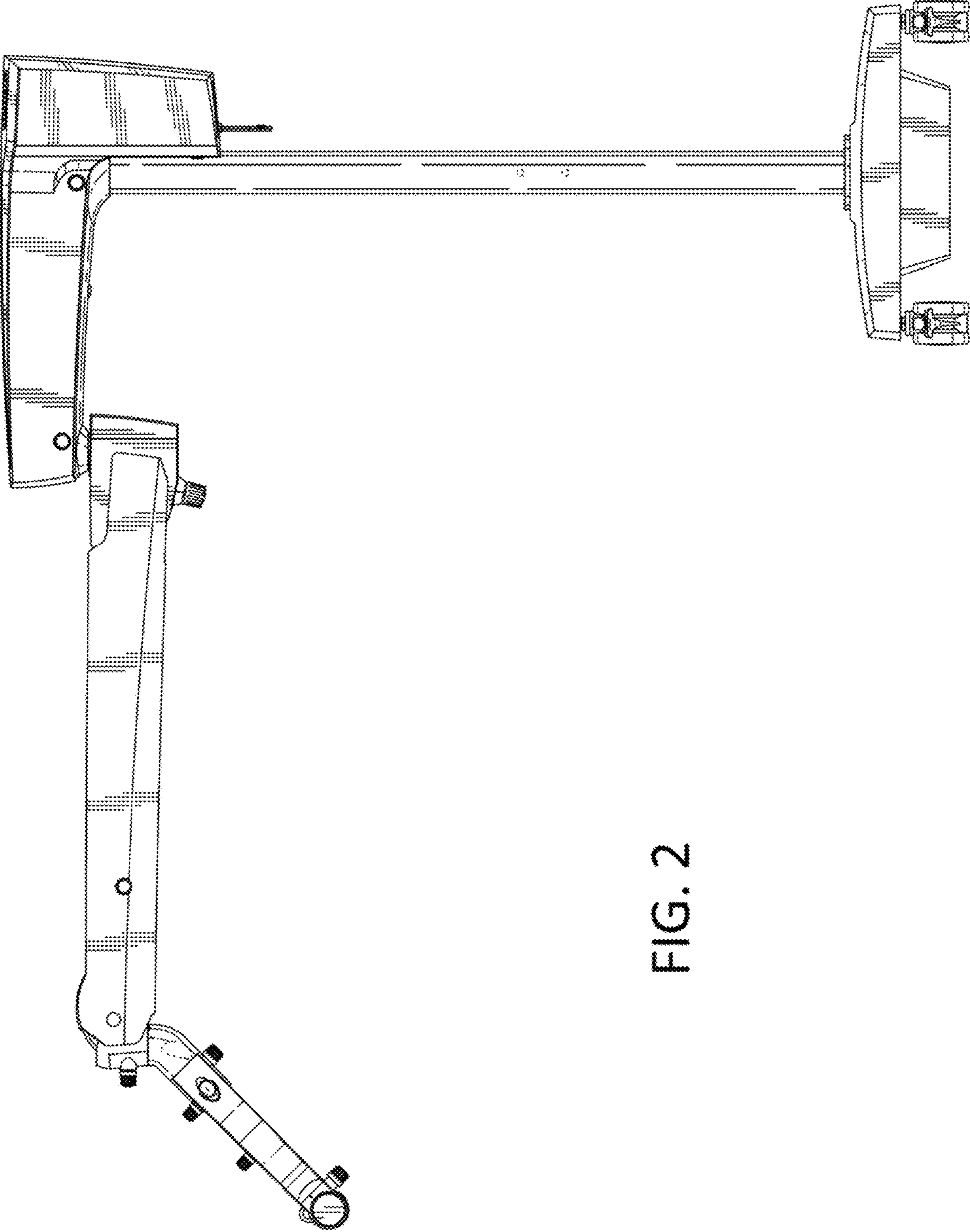


FIG. 2

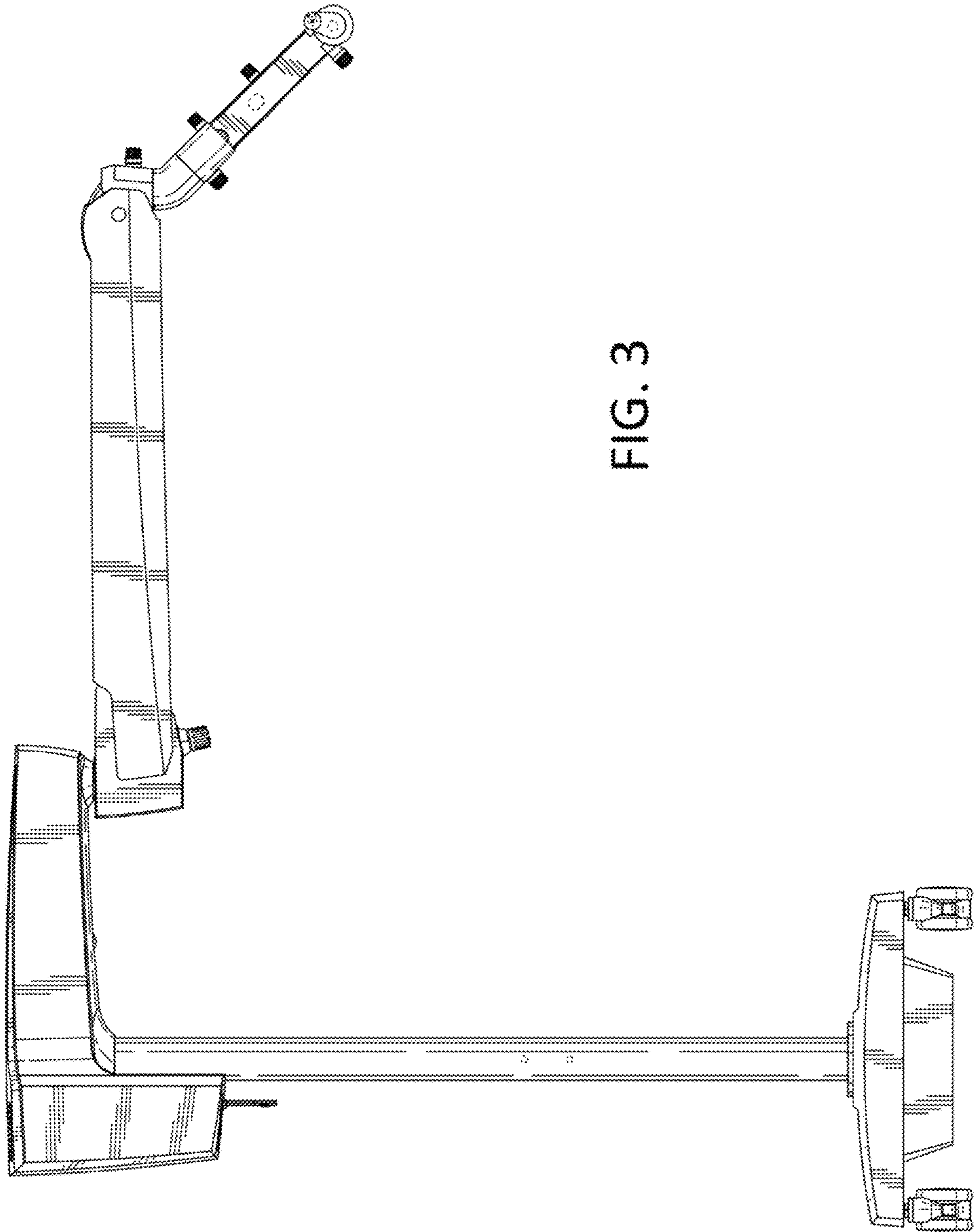


FIG. 3

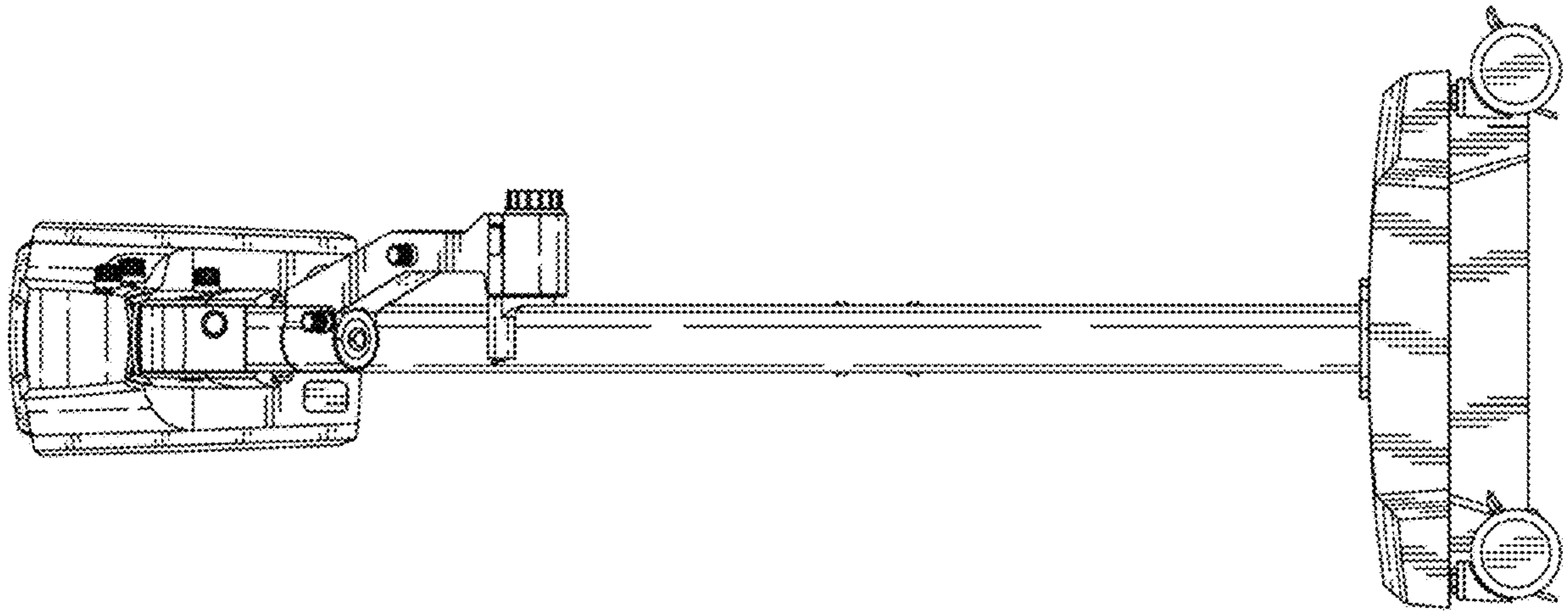


FIG. 4

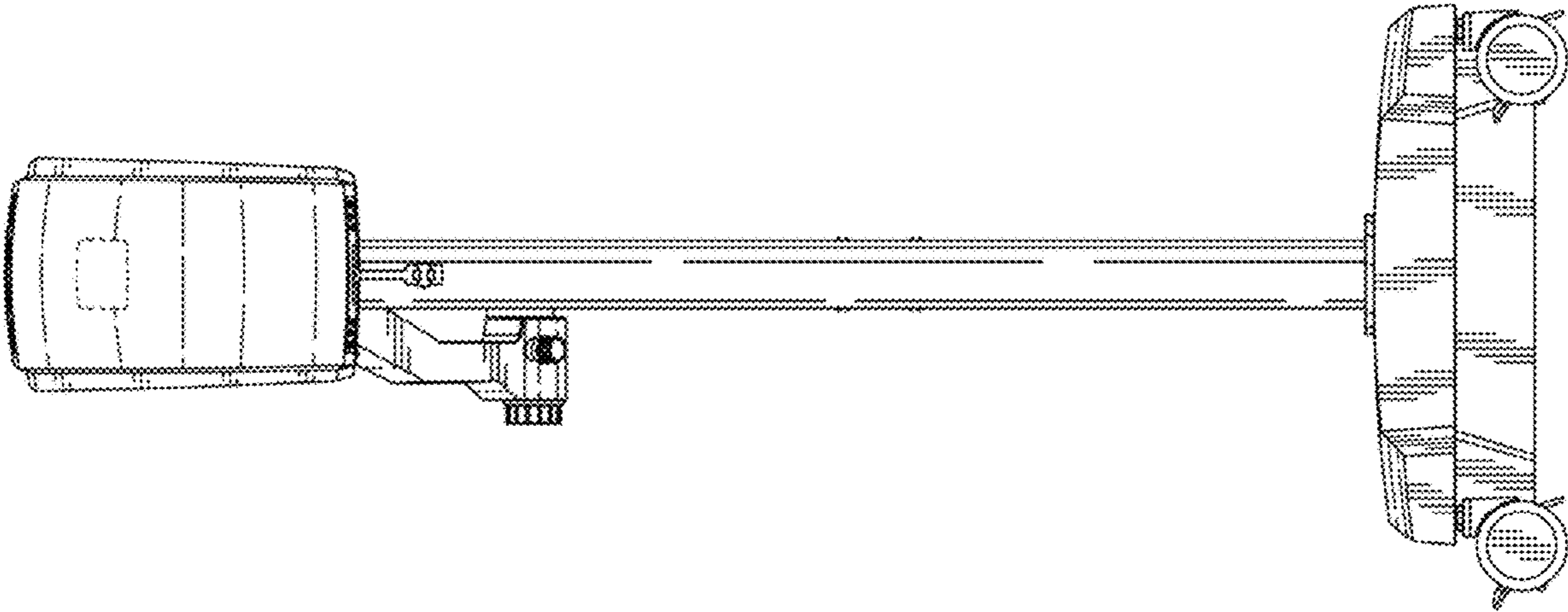


FIG. 5

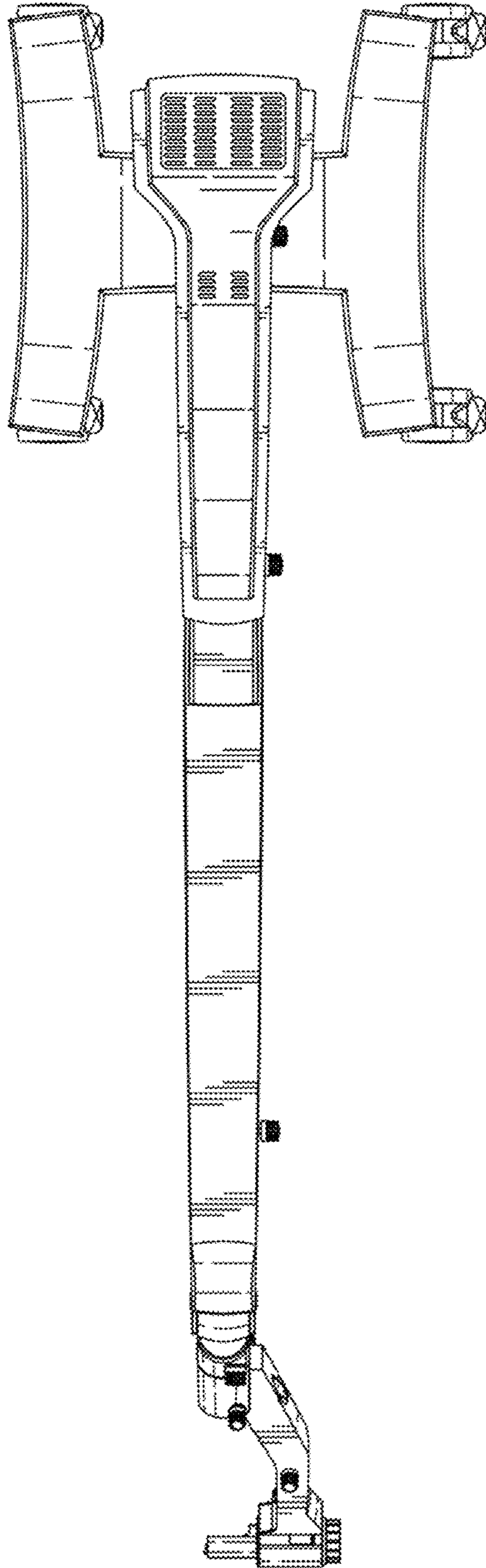


FIG. 6

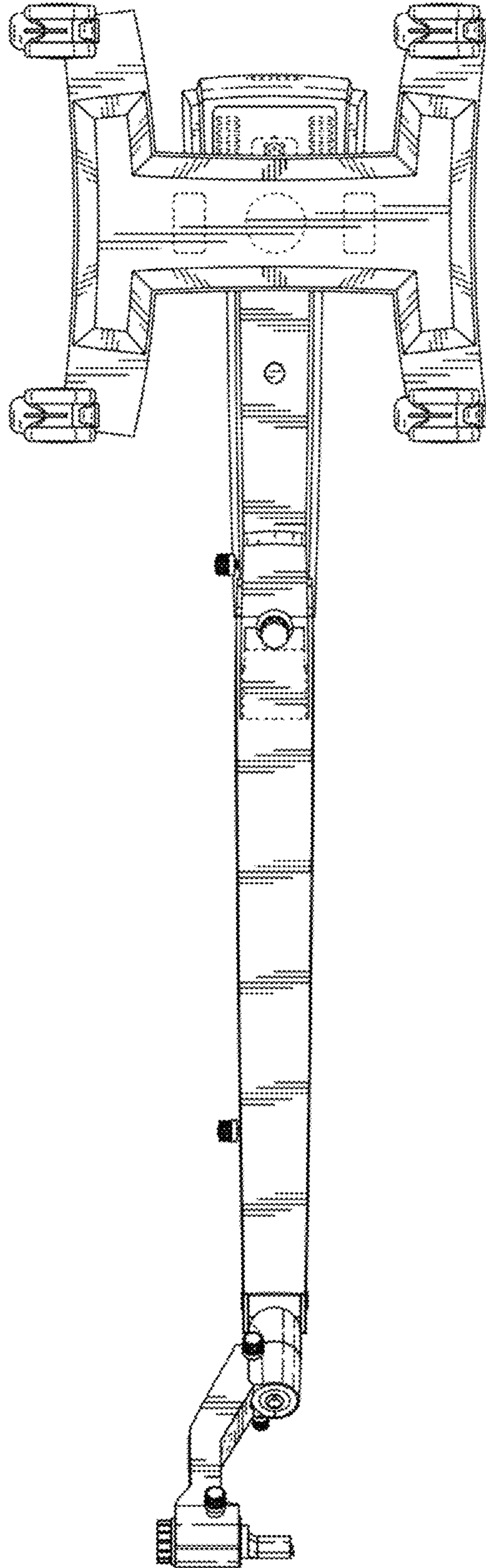


FIG. 7