



US00D881964S

(12) **United States Design Patent**  
**Liu et al.**

(10) **Patent No.:** **US D881,964 S**  
(45) **Date of Patent:** **\*\* Apr. 21, 2020**

(54) **STAND FOR A SURGICAL MICROSCOPE**

(71) Applicant: **Carl Zeiss Meditec AG**, Jena (DE)

(72) Inventors: **Jinpeng Liu**, Shanghai (CN); **Xiao Han**, Shanghai (CN); **Sulun Jiang**, Shanghai (CN); **Tao Ma**, Shanghai (CN); **Christian Siegel**, Aalen (DE); **Graham Keevy**, Aalen (DE)

(73) Assignee: **Carl Zeiss Meditec AG**, Jena (DE)

(\*\*) Term: **15 Years**

(21) Appl. No.: **29/659,856**

(22) Filed: **Aug. 13, 2018**

(30) **Foreign Application Priority Data**

Feb. 13, 2018 (CN) ..... 2018 3 0069661

(51) **LOC (12) Cl.** ..... **16-06**

(52) **U.S. Cl.**  
USPC ..... **D16/131**

(58) **Field of Classification Search**

USPC ..... D16/130-136; D24/107, 128, 137, 138,  
D24/185, 186, 232, 234

CPC . G02B 21/004; G02B 21/008; G02B 21/0088  
See application file for complete search history.

(56) **References Cited**

**U.S. PATENT DOCUMENTS**

- 4,241,891 A \* 12/1980 Rudolph ..... G10K 11/352  
248/123.2
- 5,074,651 A \* 12/1991 Nagamine ..... G02B 21/0012  
359/368
- 5,748,366 A \* 5/1998 Yasunaga ..... G02B 21/0012  
359/363
- 6,434,416 B1 \* 8/2002 Mizoguchi ..... G02B 21/0012  
600/427
- 6,471,165 B2 \* 10/2002 Twisselmann ..... F16M 11/18  
248/123.11
- 6,646,798 B2 \* 11/2003 Schmidt ..... A61B 90/25  
359/382

(Continued)

**FOREIGN PATENT DOCUMENTS**

EM 002600643-0002 12/2014

**OTHER PUBLICATIONS**

U.S. Appl. No. 29/659,848, filed Aug. 13, 2018, Carl Zeiss Meditec AG, Jinpeng Liu et al.

(Continued)

*Primary Examiner* — Holly E Thurman

(74) *Attorney, Agent, or Firm* — Walter Ottesen, P.A.

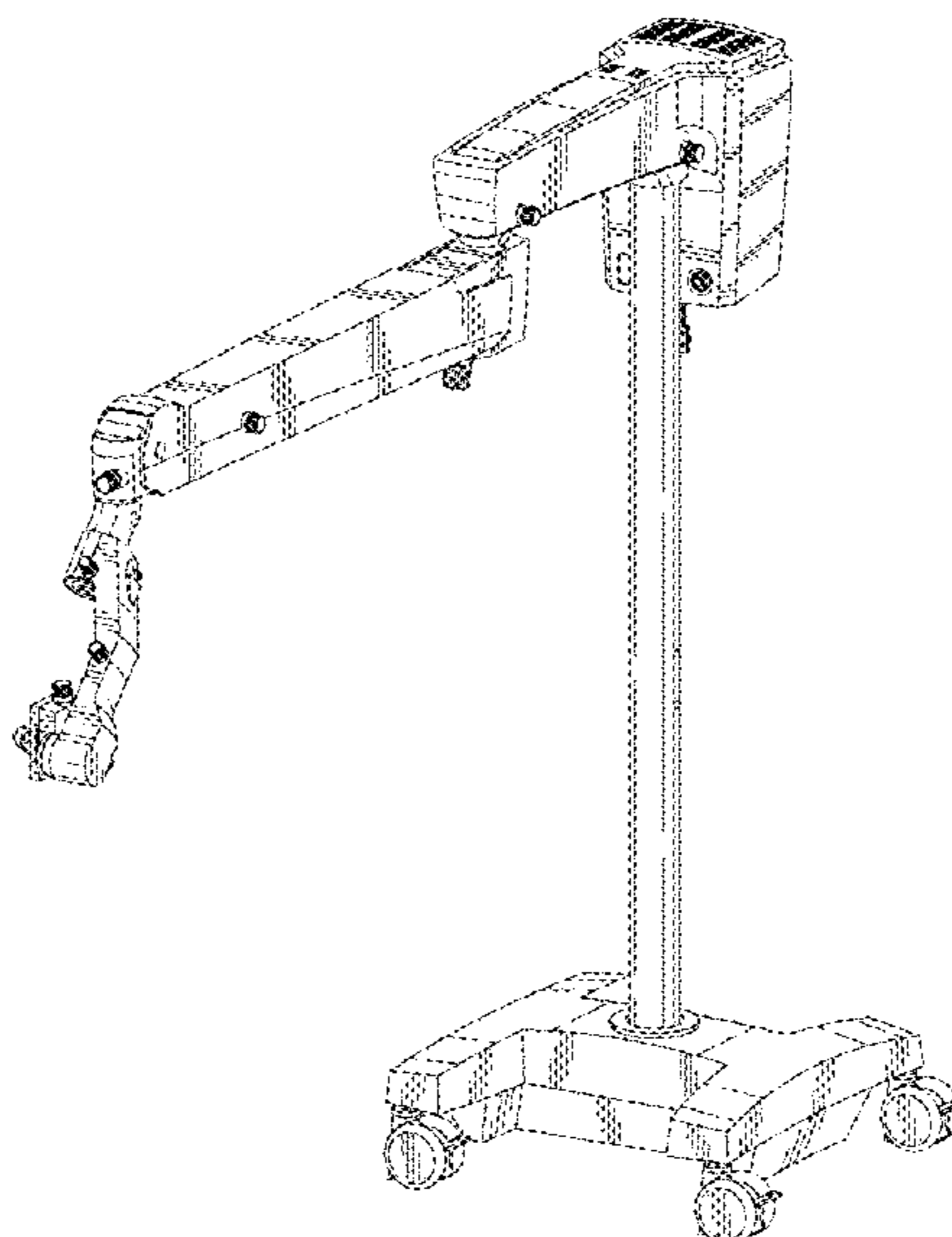
(57) **CLAIM**

The ornamental design for a stand for a surgical microscope, as shown and described.

**DESCRIPTION**

FIG. 1 is a perspective view of the stand for a surgical microscope of our new design;  
 FIG. 2 is a left side elevation view of the stand for a surgical microscope of FIG. 1;  
 FIG. 3 is a right side elevation view of the stand for a surgical microscope of FIG. 1;  
 FIG. 4 is a front elevation view of the stand for a surgical microscope of FIG. 1;  
 FIG. 5 is a rear elevation view of the stand for a surgical microscope of FIG. 1;  
 FIG. 6 is a top plan view of the stand for a surgical microscope of FIG. 1; and,  
 FIG. 7 is a bottom plan view of the stand for a surgical microscope of FIG. 1.  
 The broken lines depict portions of the stand for a surgical microscope that form no part of the claimed design.

**1 Claim, 7 Drawing Sheets**



(56)

**References Cited**

U.S. PATENT DOCUMENTS

7,232,222	B2 *	6/2007	Kogawa .....	A61B 3/13 351/205
D623,210	S *	9/2010	Matuschek .....	D16/131
D634,344	S *	3/2011	Nusser .....	D16/131
D649,992	S *	12/2011	Nusser .....	D16/131
D758,465	S *	6/2016	Matuschek .....	D16/131
D800,814	S *	10/2017	Matuschek .....	D16/131
D811,460	S *	2/2018	Apotheloz .....	D16/131
D836,693	S *	12/2018	Matuschek .....	D16/131
D837,856	S *	1/2019	Matuschek .....	D16/131
D841,070	S *	2/2019	Matuschek .....	D16/131
D842,356	S *	3/2019	Matuschek .....	D16/131
D846,013	S *	4/2019	Hakoda .....	D16/131
2005/0109903	A1 *	5/2005	Strauss .....	A61B 90/25 248/280.11
2009/0219613	A1 *	9/2009	Enge .....	G02B 7/001 359/384
2012/0087006	A1 *	4/2012	Signaigo .....	G02B 7/001 359/375

OTHER PUBLICATIONS

U.S. Appl. No. 29/659,860, filed Aug. 30, 2018, Carl Zeiss Meditec AG, Jinpeng Liu et al.

Representation of Suspension System S7 in "OPMI PROergo Experience New Dimensions", pp. 7,10-15, 18; Carl Zeiss Meditec, Inc., Dublin, CA 94568, USA; DS-Nr.: 30-187/I-e/USA; publication year 2007.

Representation of Suspension System S100 in Time for a change: OPMI pico for ENT, pp. 5-7; Carl Zeiss Surgical GmbH, Oberkochen, Germany; 30-451/III-e; publication year 2005.

\* cited by examiner

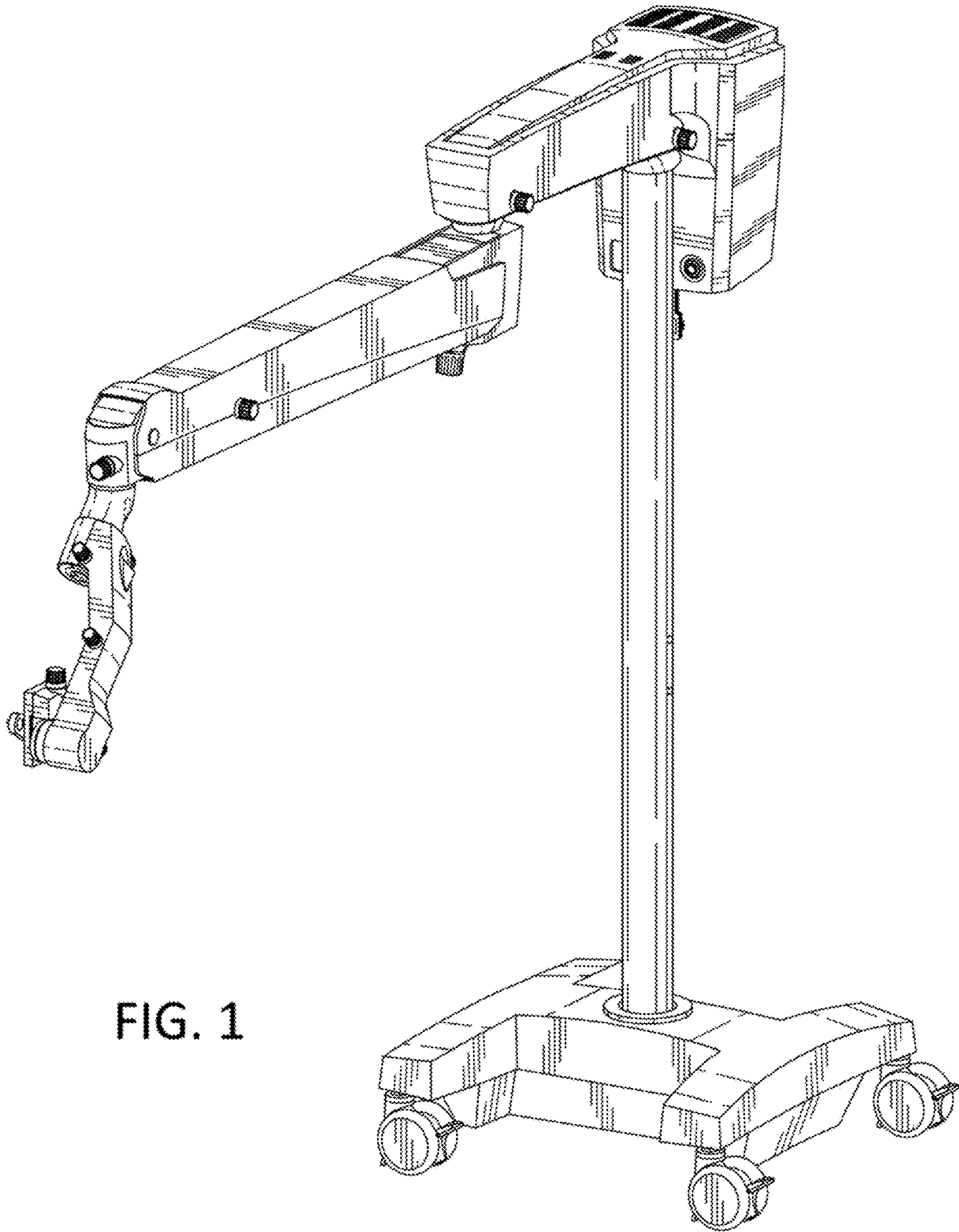


FIG. 1

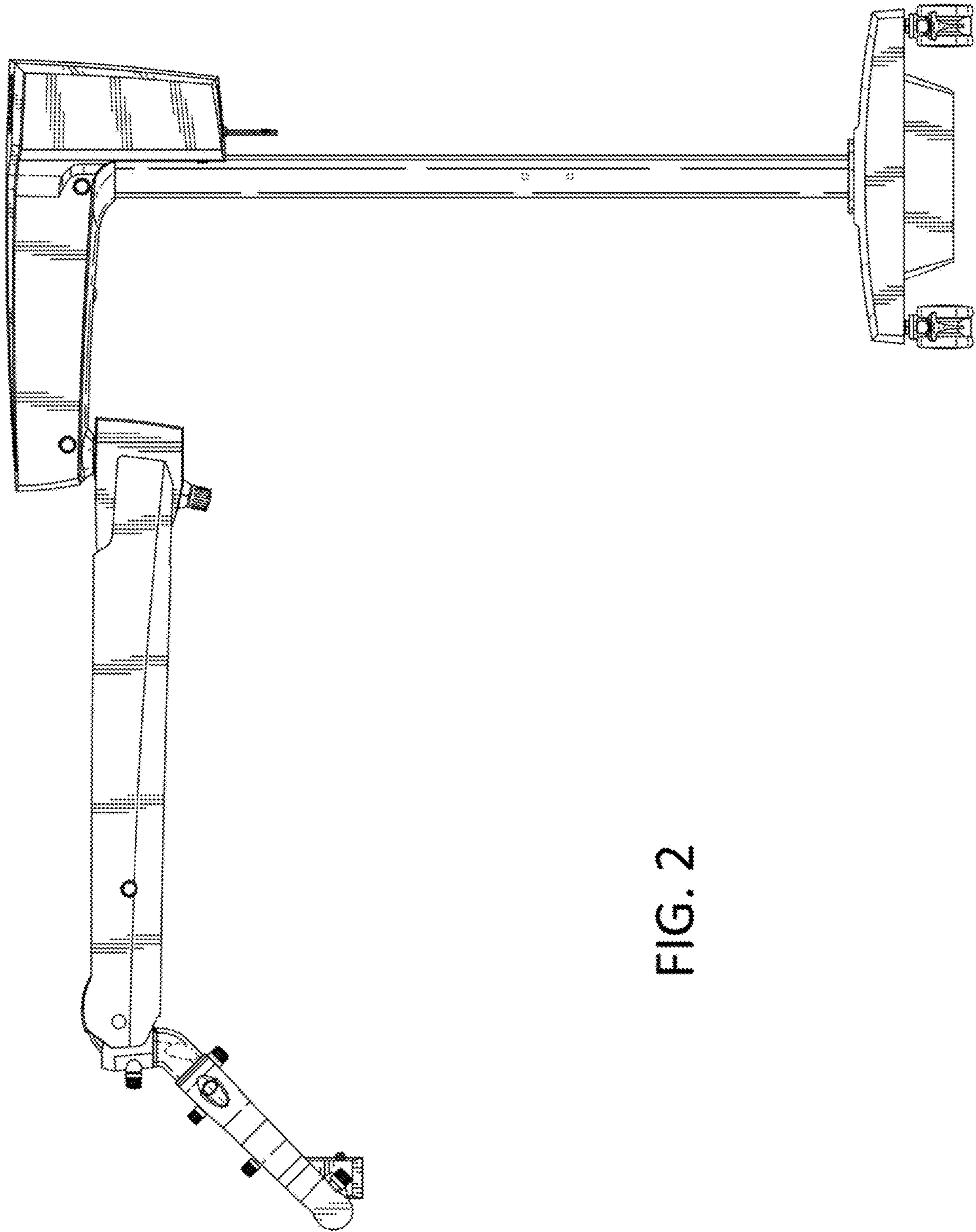


FIG. 2

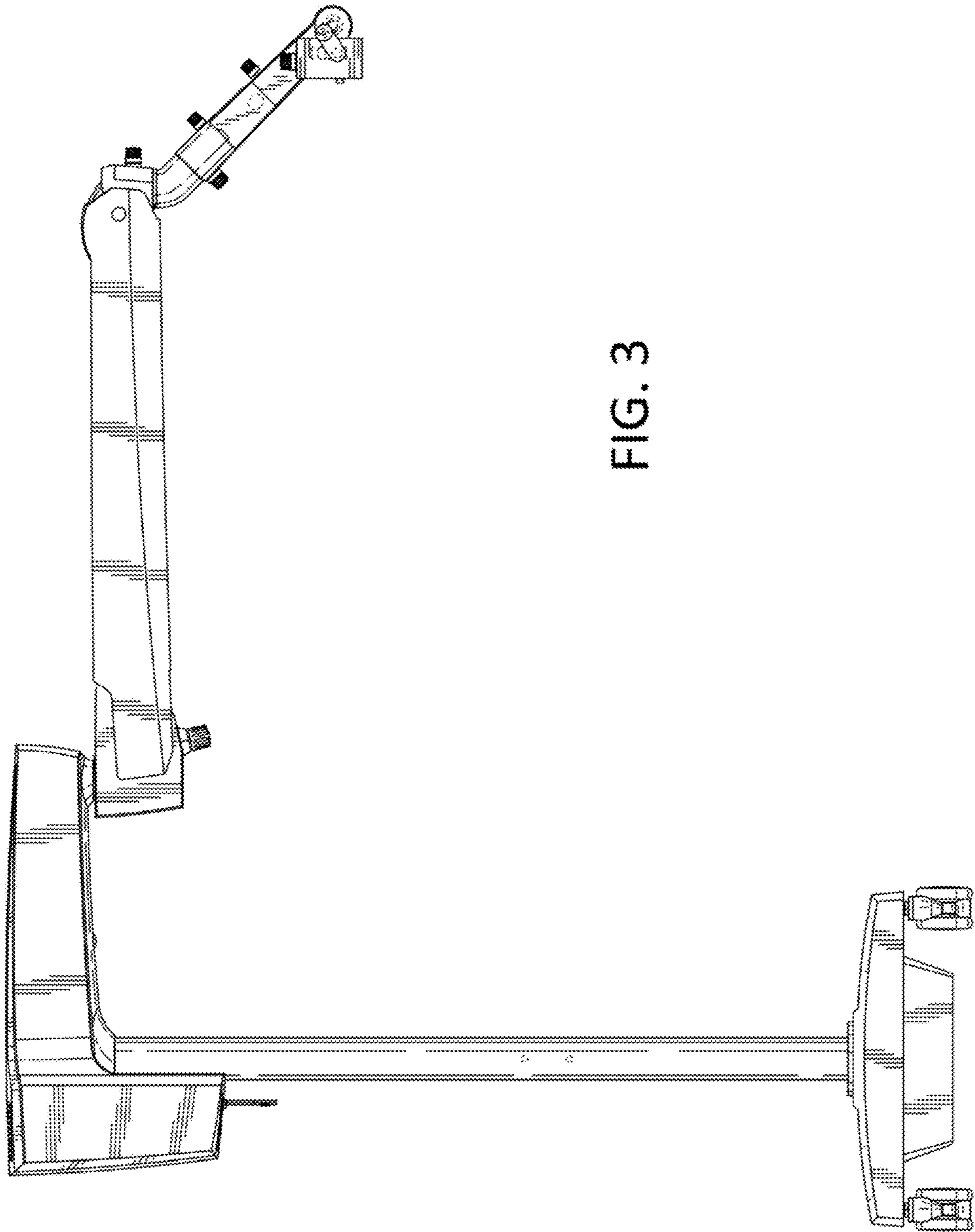


FIG. 3

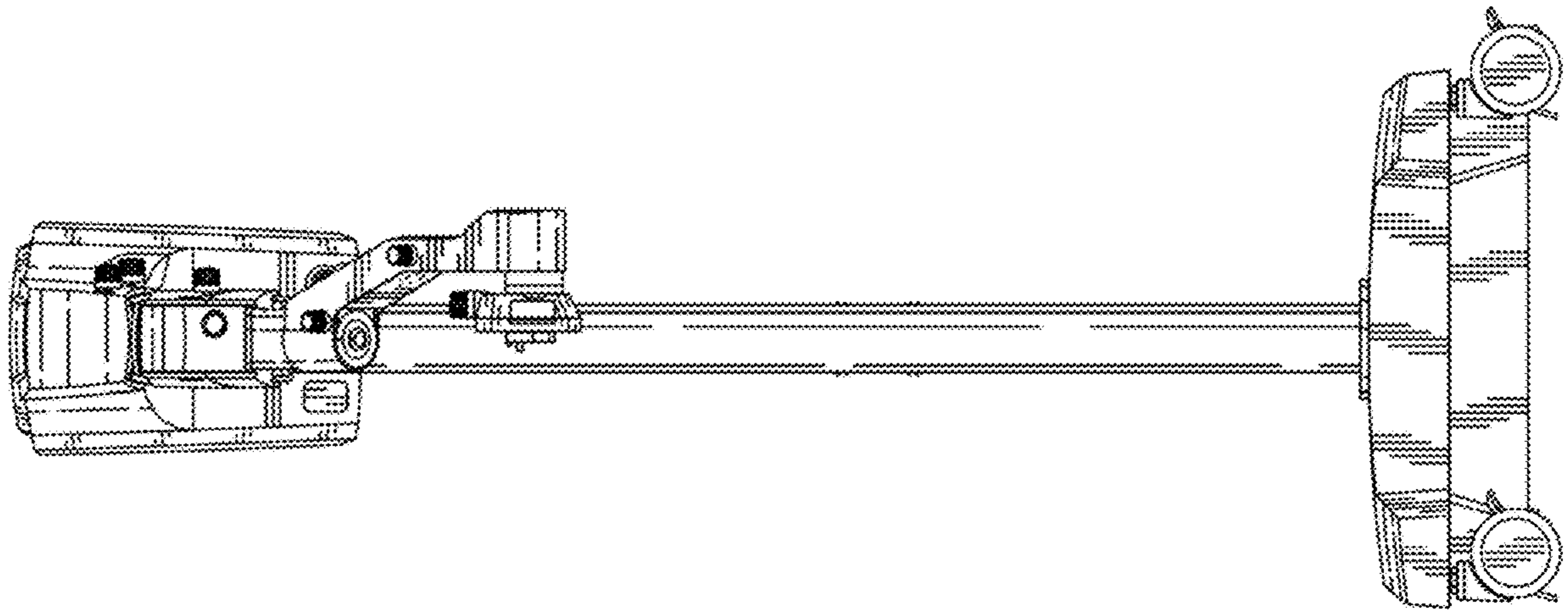


FIG. 4

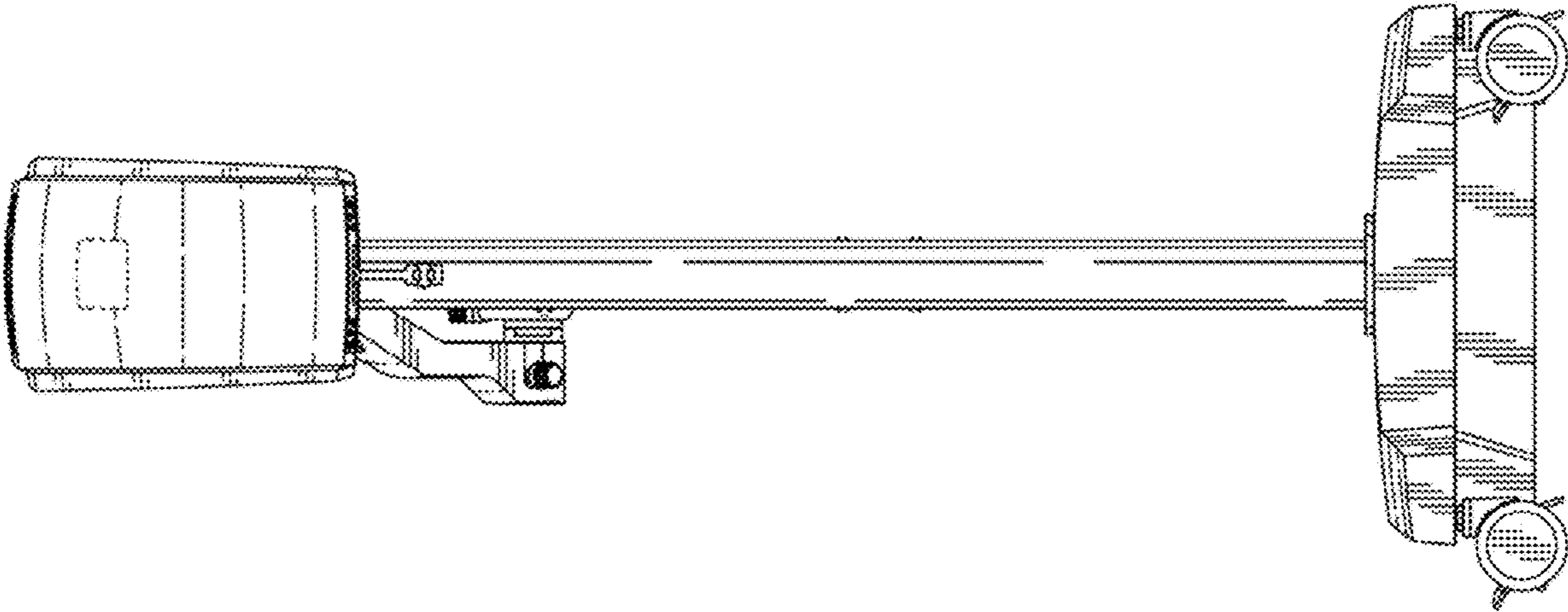


FIG. 5

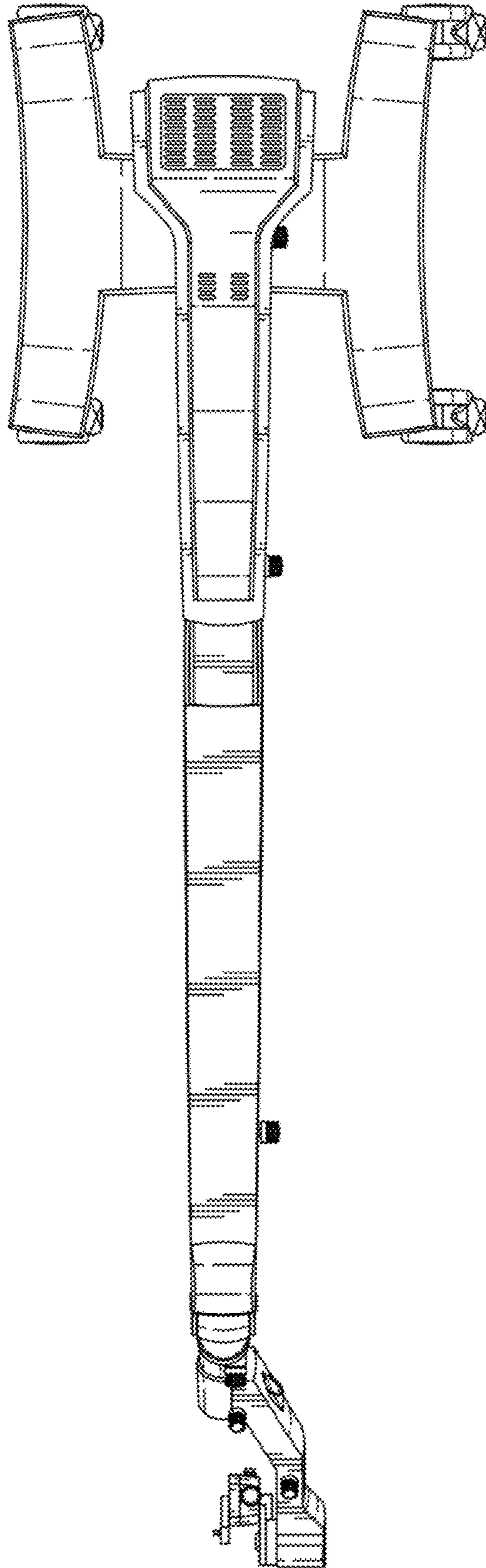


FIG. 6



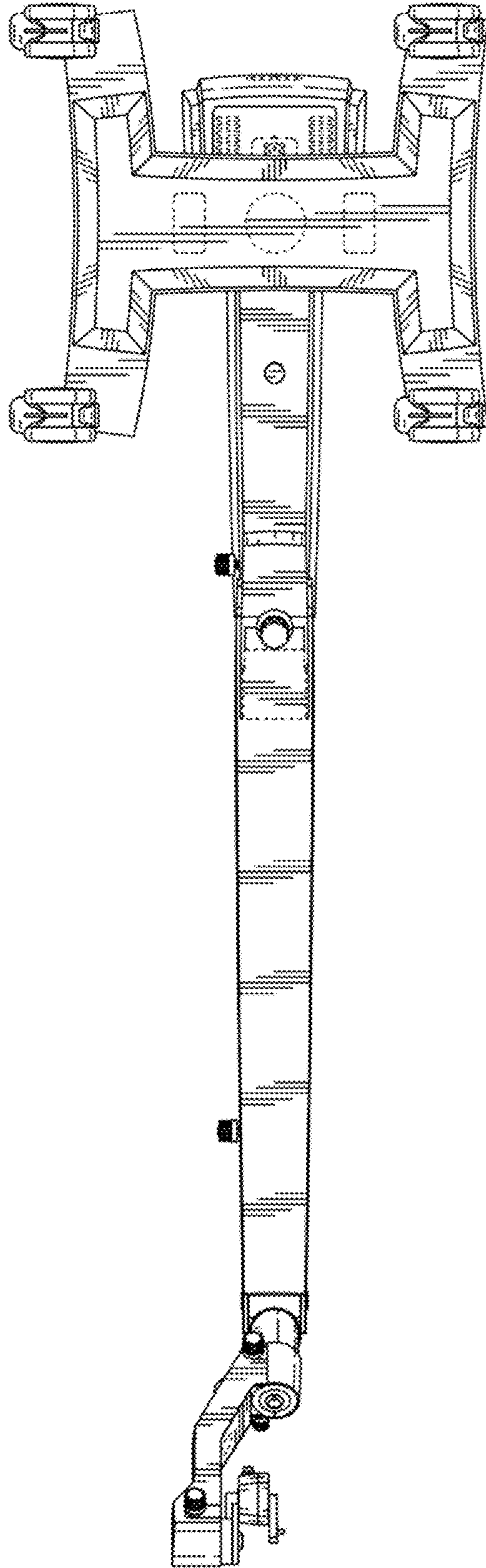


FIG. 7

UNITED STATES PATENT AND TRADEMARK OFFICE  
**CERTIFICATE OF CORRECTION**

PATENT NO. : D881,964 S  
APPLICATION NO. : 29/659856  
DATED : April 21, 2020  
INVENTOR(S) : Liu et al.

Page 1 of 1

It is certified that error appears in the above-identified patent and that said Letters Patent is hereby corrected as shown below:

On the Title Page

On Page 2:

Under (56) Other Publications:

Delete "Aug. 30, 2018" and insert -- Aug. 13, 2018 -- therefor.

Signed and Sealed this  
Fourth Day of August, 2020



Andrei Iancu  
*Director of the United States Patent and Trademark Office*