



US00D881963S

(12) **United States Design Patent** (10) **Patent No.:** **US D881,963 S**
Liu et al. (45) **Date of Patent:** **** Apr. 21, 2020**

(54) **STAND FOR A SURGICAL MICROSCOPE**

FOREIGN PATENT DOCUMENTS

(71) Applicant: **Carl Zeiss Meditec AG**, Jena (DE)

EM 002600643-0002 12/2014

(72) Inventors: **Jinpeng Liu**, Shanghai (CN); **Xiao Han**, Shanghai (CN); **Sulun Jiang**, Shanghai (CN); **Tao Ma**, Shanghai (CN); **Christian Siegel**, Aalen (DE); **Graham Keevy**, Aalen (DE)

OTHER PUBLICATIONS

Representation of Suspension System S7 in "OPMI PROergo Experience New Dimensions", pp. 7,10-15, 18; Carl Zeiss Meditec, Inc., Dublin, CA 94568, USA; DS-Nr.: 30-187/1-e/USA; publication year 2007.

(73) Assignee: **Carl Zeiss Meditec AG**, Jena (DE)

(Continued)

(**) Term: **15 Years**

Primary Examiner — Holly E Thurman

(21) Appl. No.: **29/659,848**

(74) *Attorney, Agent, or Firm* — Walter Ottesen, P.A.

(22) Filed: **Aug. 13, 2018**

(30) **Foreign Application Priority Data**

(57) **CLAIM**

Feb. 13, 2018 (CN) 2018 3 0069661

The ornamental design for a stand for a surgical microscope, as shown and described.

(51) **LOC (12) Cl.** **16-06**

(52) **U.S. Cl.**
USPC **D16/131**

(58) **Field of Classification Search**
USPC D16/130-136; D24/107, 128, 137, 138, D24/185, 186, 232, 234

DESCRIPTION

CPC . G02B 21/004; G02B 21/008; G02B 21/0088
See application file for complete search history.

FIG. 1 is a perspective view of the stand for a surgical microscope of our new design;
FIG. 2 is a left side elevation view of the stand for a surgical microscope of FIG. 1;
FIG. 3 is a right side elevation view of the stand for a surgical microscope of FIG. 1;
FIG. 4 is a front elevation view of the stand for a surgical microscope of FIG. 1;
FIG. 5 is a rear elevation view of the stand for a surgical microscope of FIG. 1;
FIG. 6 is a top plan view of the stand for a surgical microscope of FIG. 1; and,
FIG. 7 is a bottom plan view of the stand for a surgical microscope of FIG. 1.

(56) **References Cited**

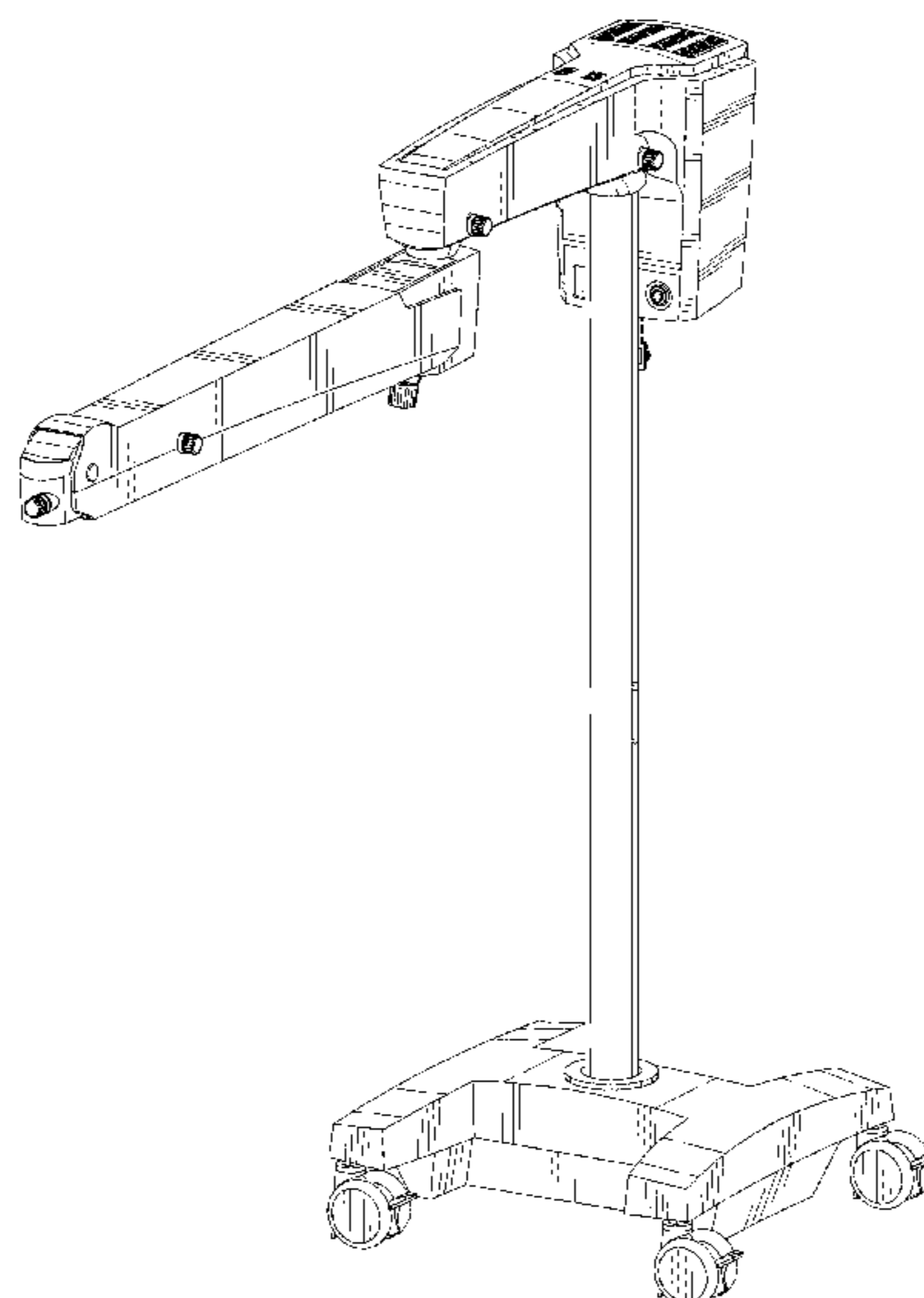
U.S. PATENT DOCUMENTS

4,241,891 A * 12/1980 Rudolph G10K 11/352
248/123.2
5,074,651 A * 12/1991 Nagamine G02B 21/0012
359/368
5,748,366 A * 5/1998 Yasunaga G02B 21/0012
359/363
6,434,416 B1 * 8/2002 Mizoguchi G02B 21/0012
600/427
6,471,165 B2 * 10/2002 Twisselmann F16M 11/18
248/123.11

The broken lines depict portions of the stand for a surgical microscope that form no part of the claimed design.

(Continued)

1 Claim, 7 Drawing Sheets



(56)

References Cited

U.S. PATENT DOCUMENTS

| | | | | | |
|--------------|------|---------|-----------|-------|--------------------------|
| 6,646,798 | B2 * | 11/2003 | Schmidt | | A61B 90/25 359/382 |
| 7,232,222 | B2 * | 6/2007 | Kogawa | | A61B 3/13 351/205 |
| D623,210 | S * | 9/2010 | Matuschek | | D16/131 |
| D634,344 | S * | 3/2011 | Nusser | | D16/131 |
| D649,992 | S * | 12/2011 | Nusser | | D16/131 |
| D758,465 | S * | 6/2016 | Matuschek | | D16/131 |
| D800,814 | S * | 10/2017 | Matuschek | | D16/131 |
| D811,460 | S * | 2/2018 | Apotheloz | | D16/131 |
| D836,693 | S * | 12/2018 | Matuschek | | D16/131 |
| D837,856 | S * | 1/2019 | Matuschek | | D16/131 |
| D841,070 | S * | 2/2019 | Matuschek | | D16/131 |
| D842,356 | S * | 3/2019 | Matuschek | | D16/131 |
| D846,013 | S * | 4/2019 | Hakoda | | D16/131 |
| 2005/0109903 | A1 * | 5/2005 | Strauss | | A61B 90/25 248/280.11 |
| 2009/0219613 | A1 * | 9/2009 | Enge | | G02B 7/001 359/384 |
| 2012/0087006 | A1 * | 4/2012 | Signaigo | | G02B 7/001 359/375 |

OTHER PUBLICATIONS

Representation of Suspension System S100 in Time for a change:
OPMI pico for ENT, pp. 5-7; Carl Zeiss Surgical GmbH, Oberkochen,
Germany; 30-451/III-e; publication year 2005.
U.S. Appl. No. 29/659,860, filed Aug. 13, 2018, Carl Zeiss Meditec
AG, Jinpeng Liu et al.
U.S. Appl. No. 29/659,856, filed Aug. 13, 2018, Carl Zeiss Meditec
AG, Jinpeng Liu et al.

* cited by examiner

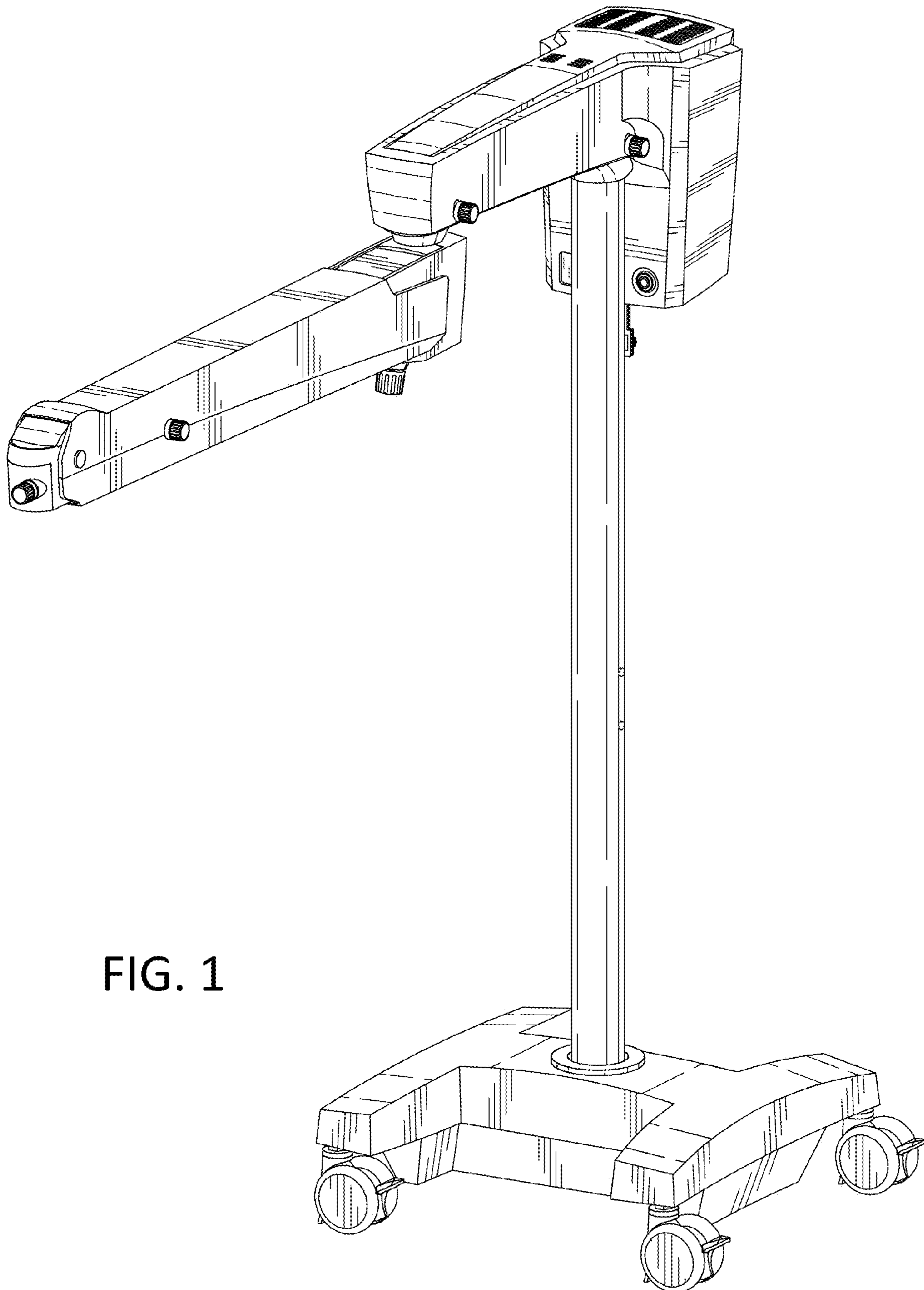


FIG. 1

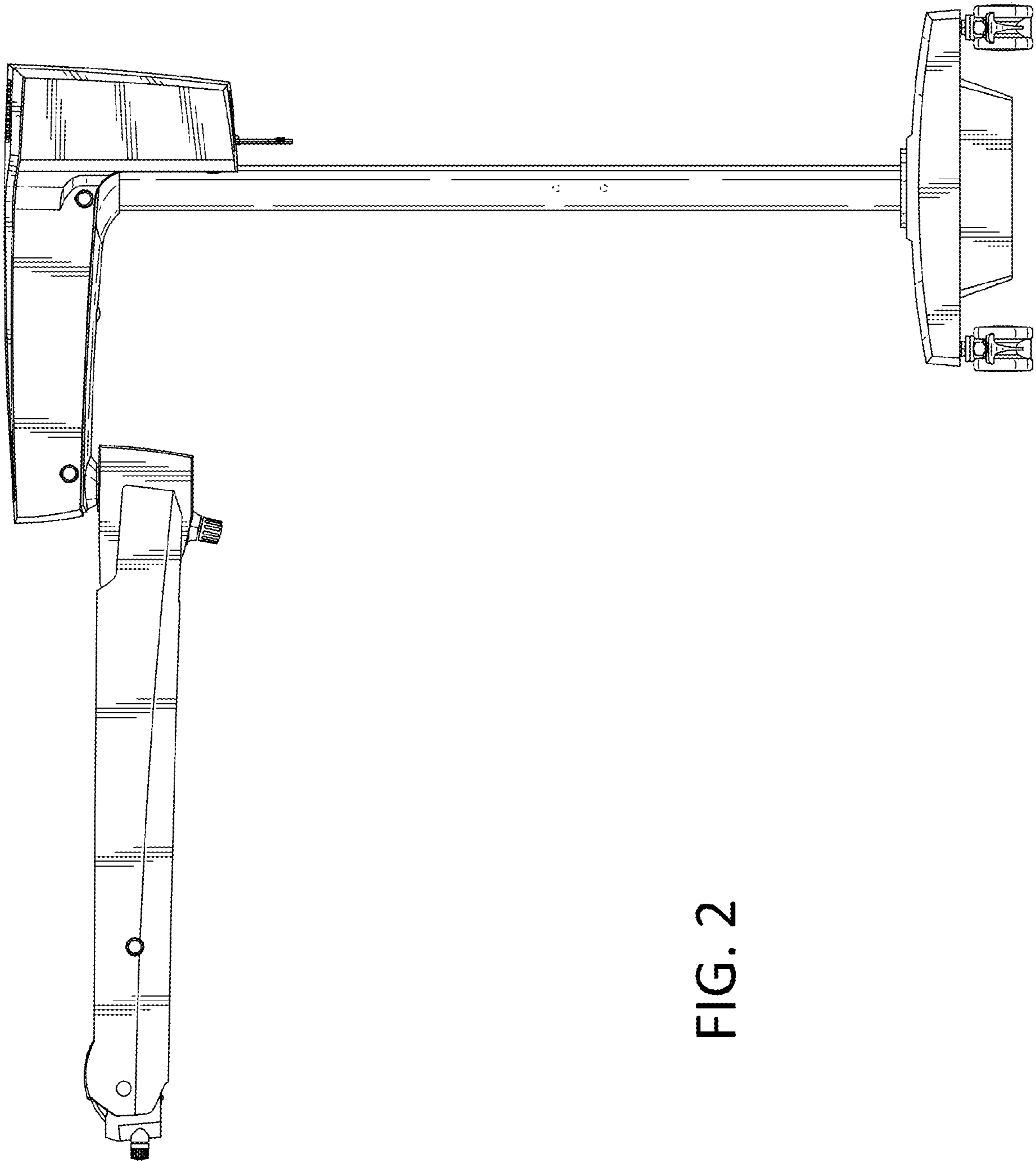


FIG. 2

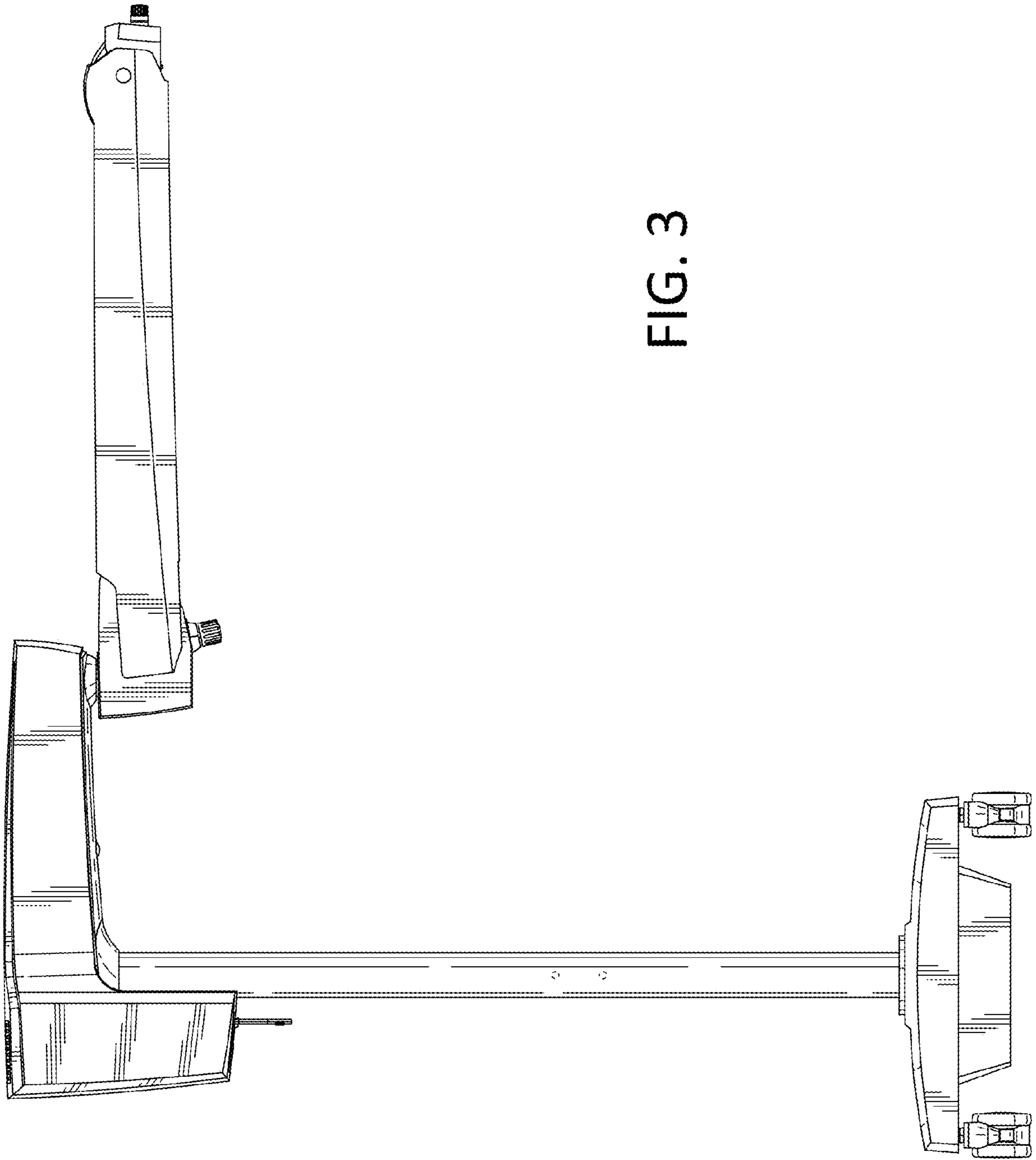


FIG. 3

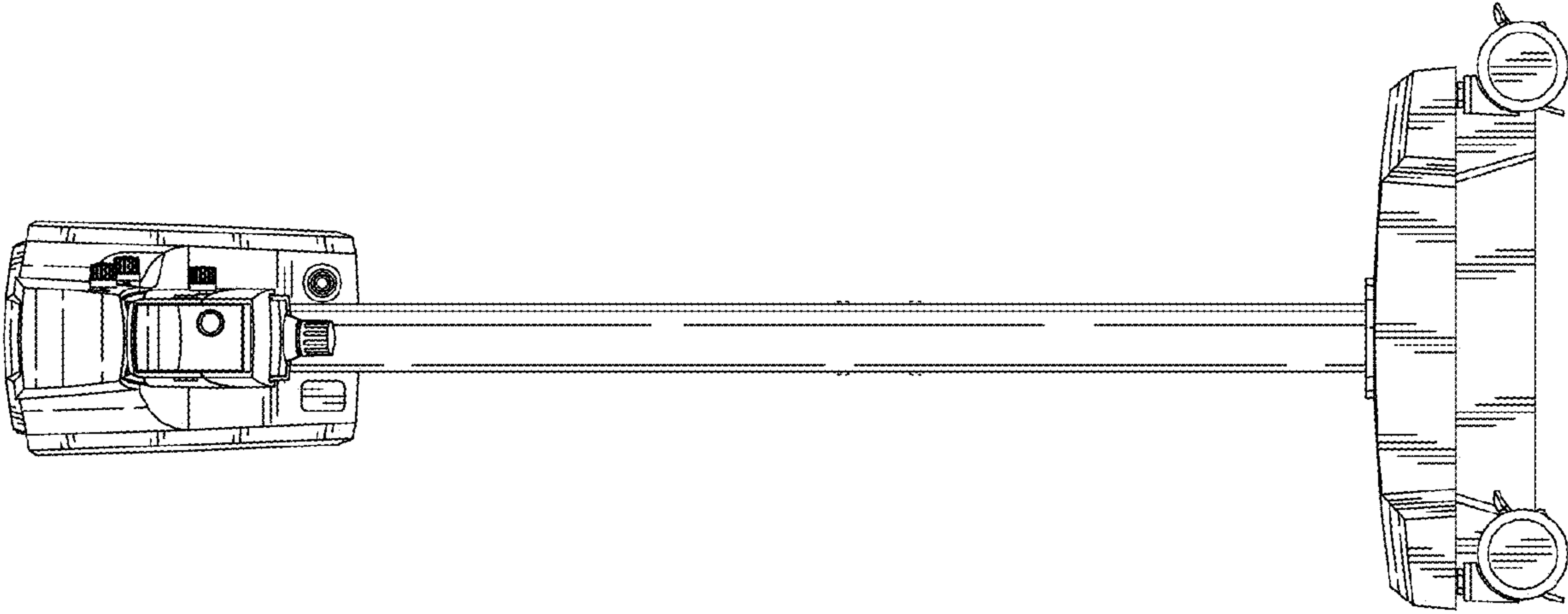


FIG. 4

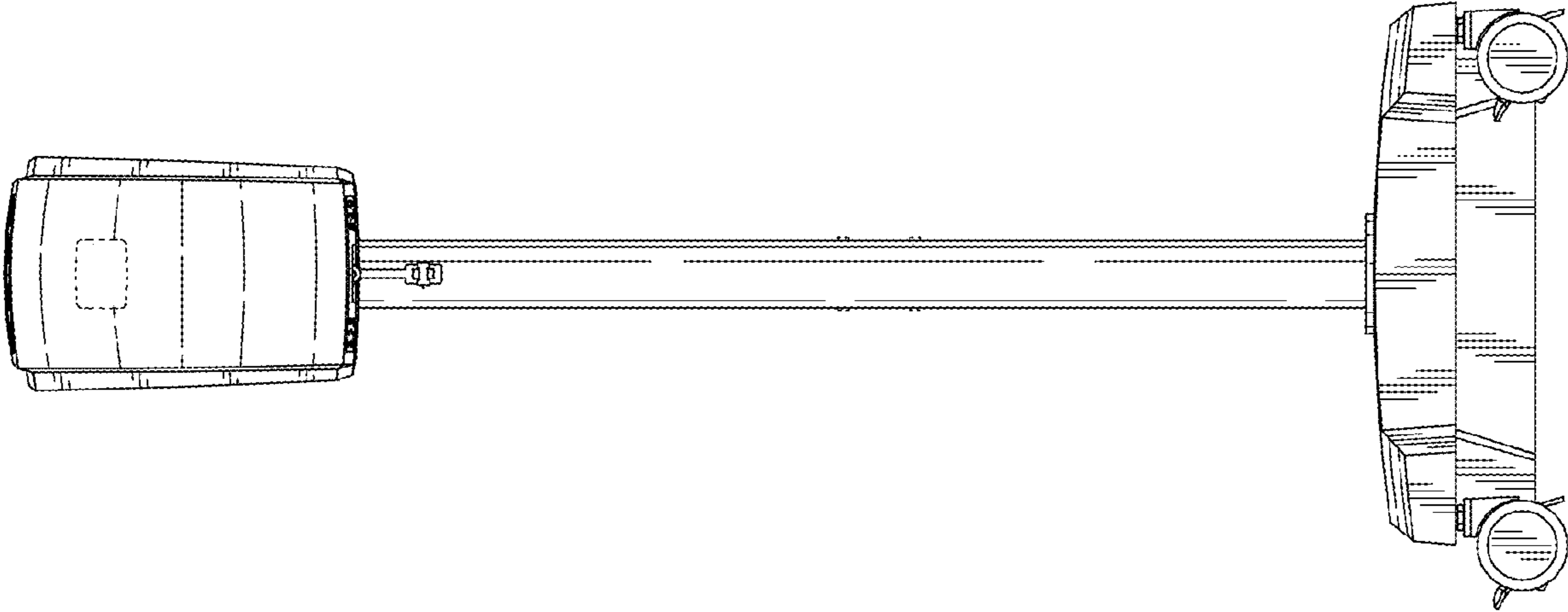


FIG. 5

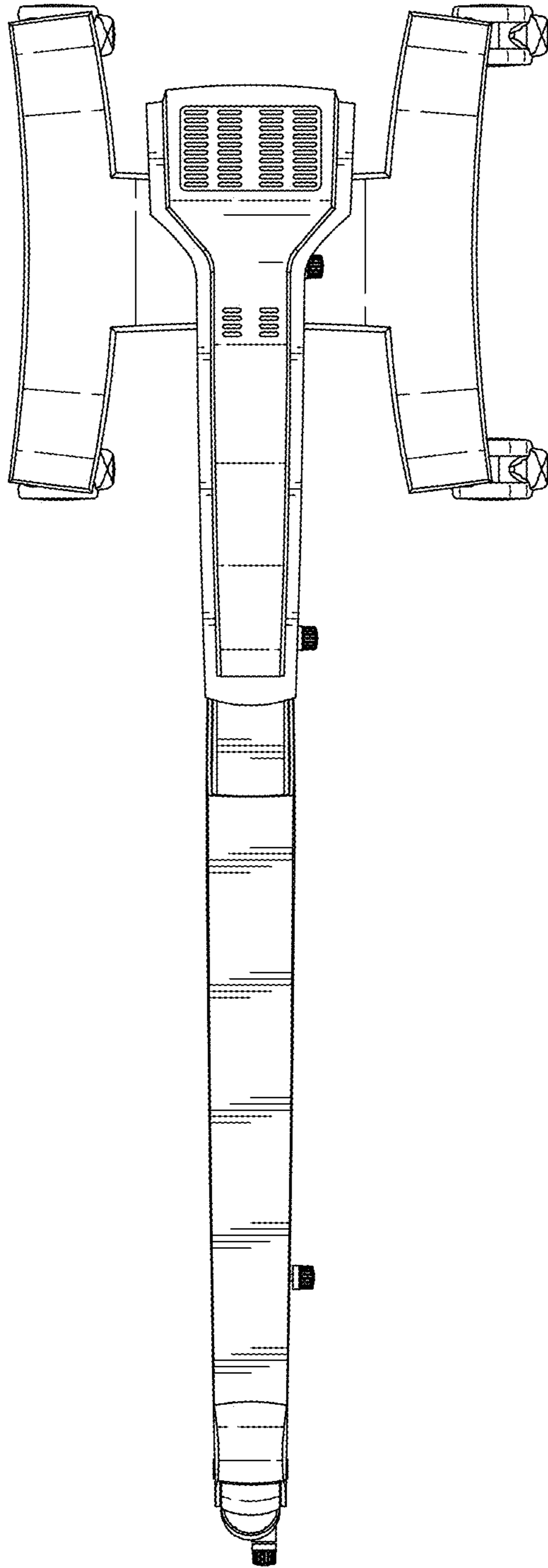


FIG. 6

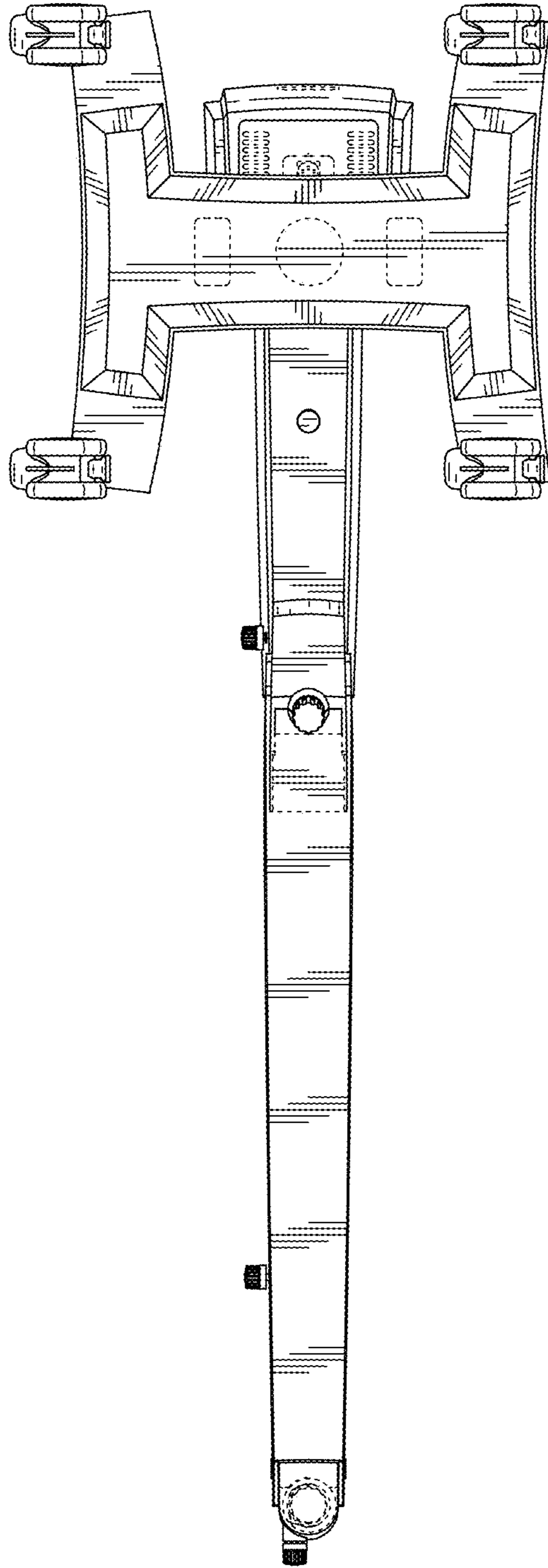


FIG. 7