



US00D881962S

(12) **United States Design Patent** (10) **Patent No.:** **US D881,962 S**
Lundbäck et al. (45) **Date of Patent:** **** Apr. 21, 2020**

(54) **ARM FOR AN INDUSTRIAL ROBOT**

(71) Applicant: **ABB Schweiz AG**, Baden (CH)

(72) Inventors: **Daniel Lundbäck**, Västerås (SE);
Jeroen Derkx, Enköping (SE); **Johan Ernlund**, Västerås (SE); **Stefan Danielsson**, Västerås (SE); **Mats Olov Olsson**, Västerås (SE)

(73) Assignee: **ABB Schweiz AG**, Baden (CH)

(**) Term: **15 Years**

(21) Appl. No.: **29/661,853**

(22) Filed: **Aug. 31, 2018**

(30) **Foreign Application Priority Data**

Mar. 2, 2018 (EM) 004735710-0001

(51) **LOC (12) Cl.** **15-99**

(52) **U.S. Cl.**
USPC **D15/199**

(58) **Field of Classification Search**
USPC D15/199; D21/578-583, 621, 622
CPC B25J 5/007; B25J 9/00; B25J 9/04; B25J 18/00; B60B 19/006; B62D 57/024; H01F 7/0221; Y10S 901/01

See application file for complete search history.

(56) **References Cited**

U.S. PATENT DOCUMENTS

D282,077 S *	1/1986	Abe	D15/122
D513,022 S *	12/2005	Moe	D15/148
D616,909 S *	6/2010	Long	D15/199
D619,632 S *	7/2010	Feng	D15/199
D636,004 S *	4/2011	Nakagiri	D15/199

D642,352 S *	7/2011	Chen	D34/28
D650,819 S *	12/2011	Liu	D15/199
D709,502 S *	7/2014	Shen	D14/423
D723,599 S *	3/2015	Demopoulos	D15/199
D754,227 S *	4/2016	Parrot	D15/140
D755,268 S *	5/2016	Parrot	D15/140
D757,144 S *	5/2016	Parrot	D15/199
D759,139 S *	6/2016	Brogardh	D15/199
D779,146 S *	2/2017	Tokai	D15/199
D785,688 S *	5/2017	Matsuda	D15/199
D790,618 S *	6/2017	Ke	D15/199
D818,019 S *	5/2018	Huang	D15/199
2014/0366674 A1 *	12/2014	Swartz	F16M 11/2021 74/490.05
2015/0343631 A1 *	12/2015	Martinez-Esponda	B25J 9/0051 74/490.03
2016/0107317 A1 *	4/2016	Hashimoto	B25J 9/042 414/744.2
2019/0015987 A1 *	1/2019	Schwarz	B25J 9/1676
2019/0358815 A1 *	11/2019	Nakayama	B25J 19/06

* cited by examiner

Primary Examiner — Patricia A Palasik

(74) *Attorney, Agent, or Firm* — Whitmyer IP Group LLC

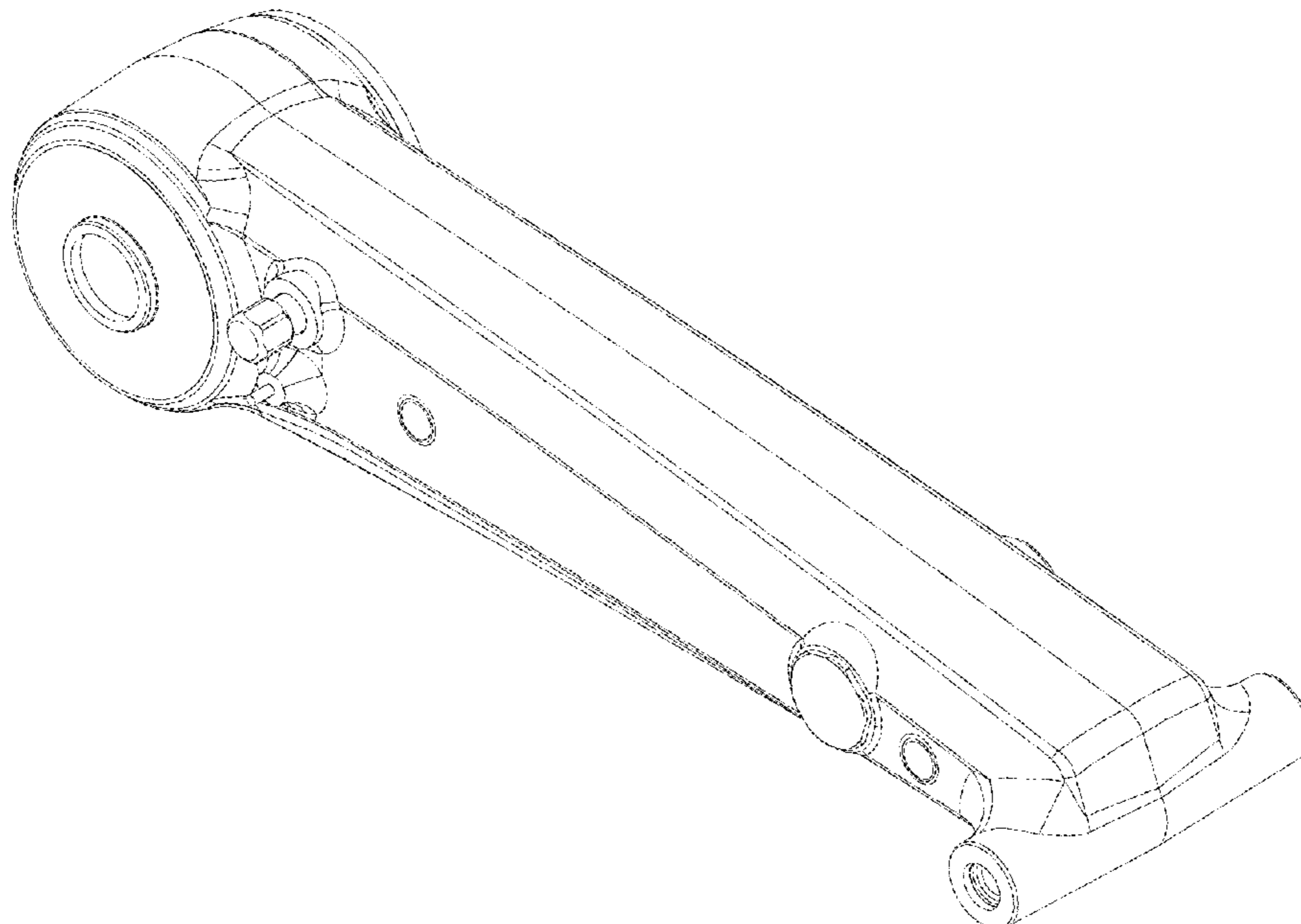
(57) **CLAIM**

The ornamental design for an arm for an industrial robot, as shown and described.

DESCRIPTION

FIG. 1 is a front isometric view of an arm for an industrial robot in accordance with the new design; FIG. 2 is a front side elevational view thereof; FIG. 3 is a rear side elevational view thereof; FIG. 4 is a left side elevational view thereof; FIG. 5 is a right side elevational view thereof; FIG. 6 is a top plan view thereof; and, FIG. 7 is a bottom plan view thereof.

1 Claim, 7 Drawing Sheets



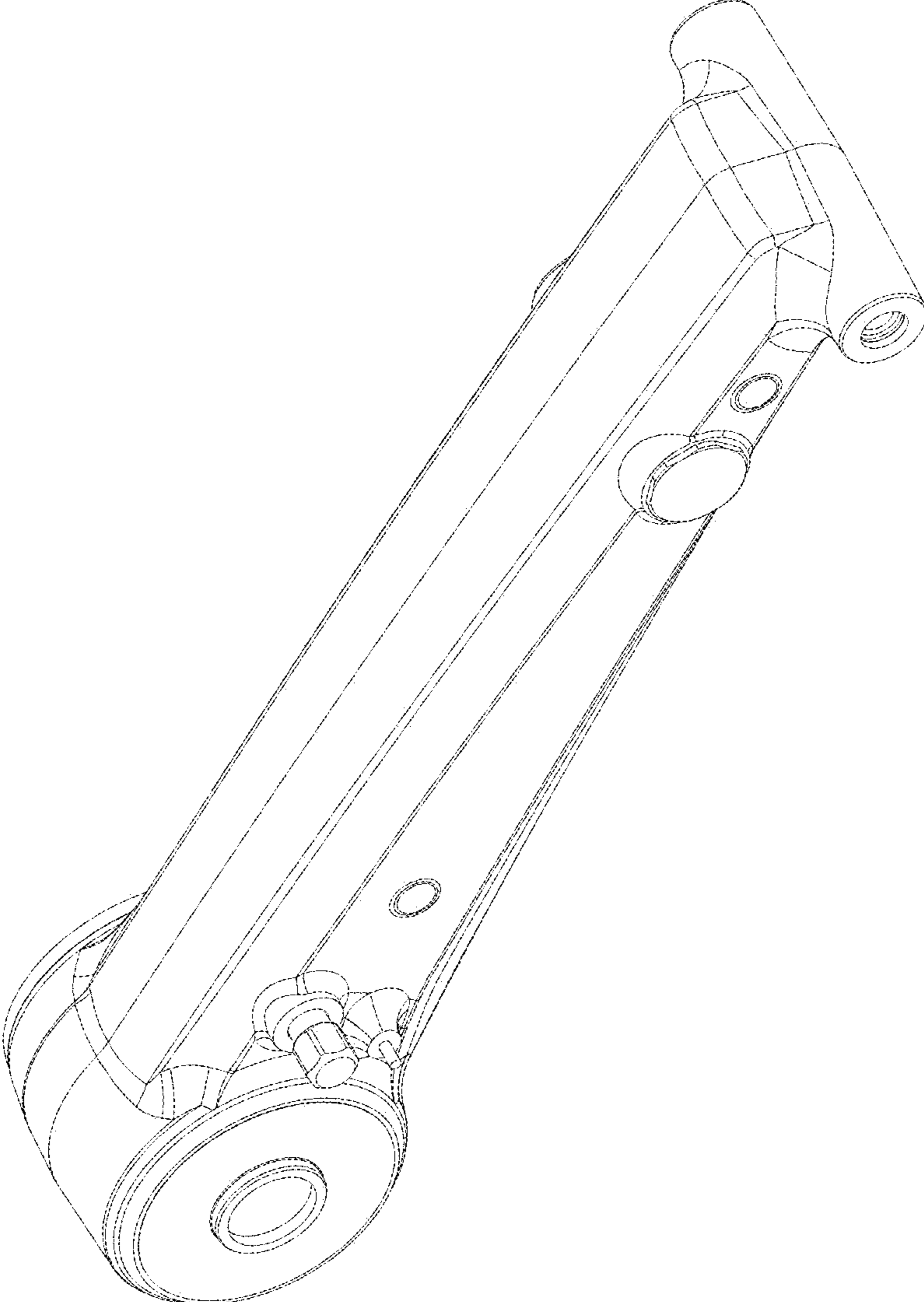


Fig. 1

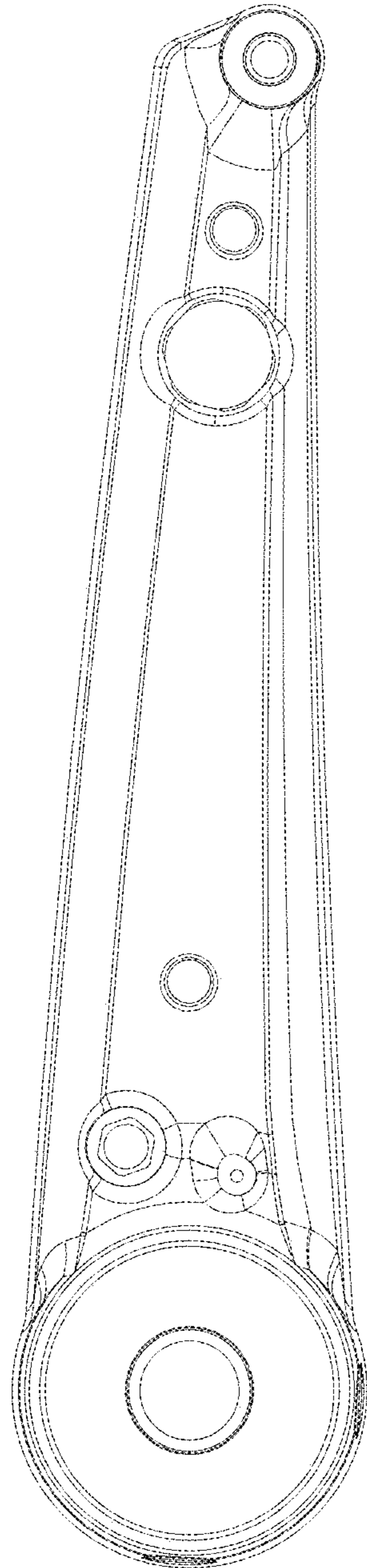


Fig. 2

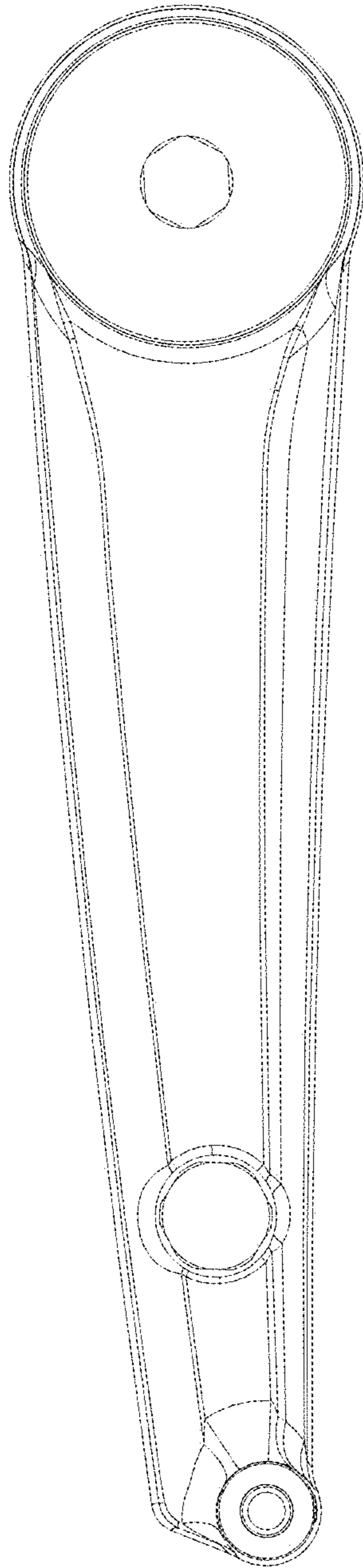


Fig. 3

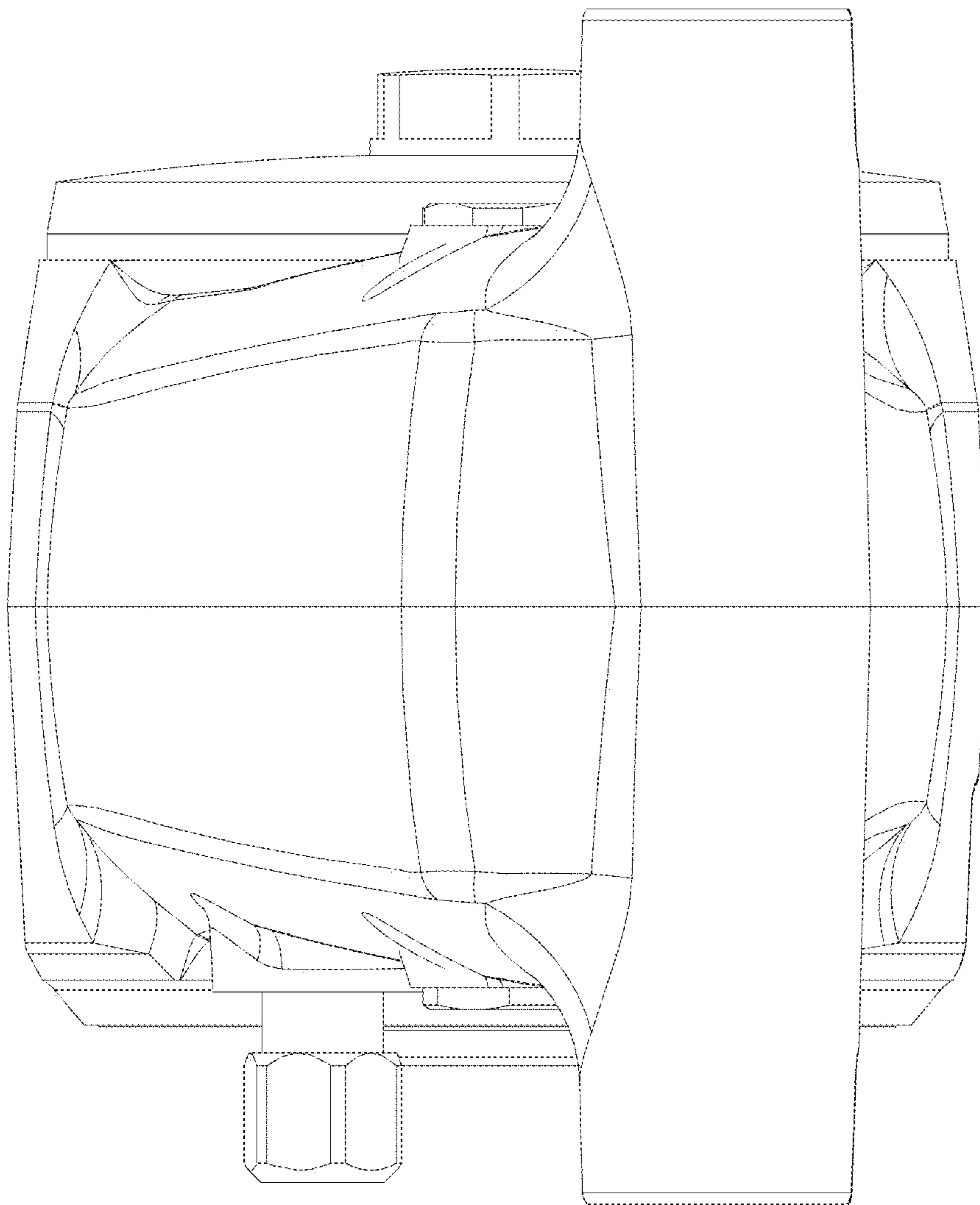


Fig. 4

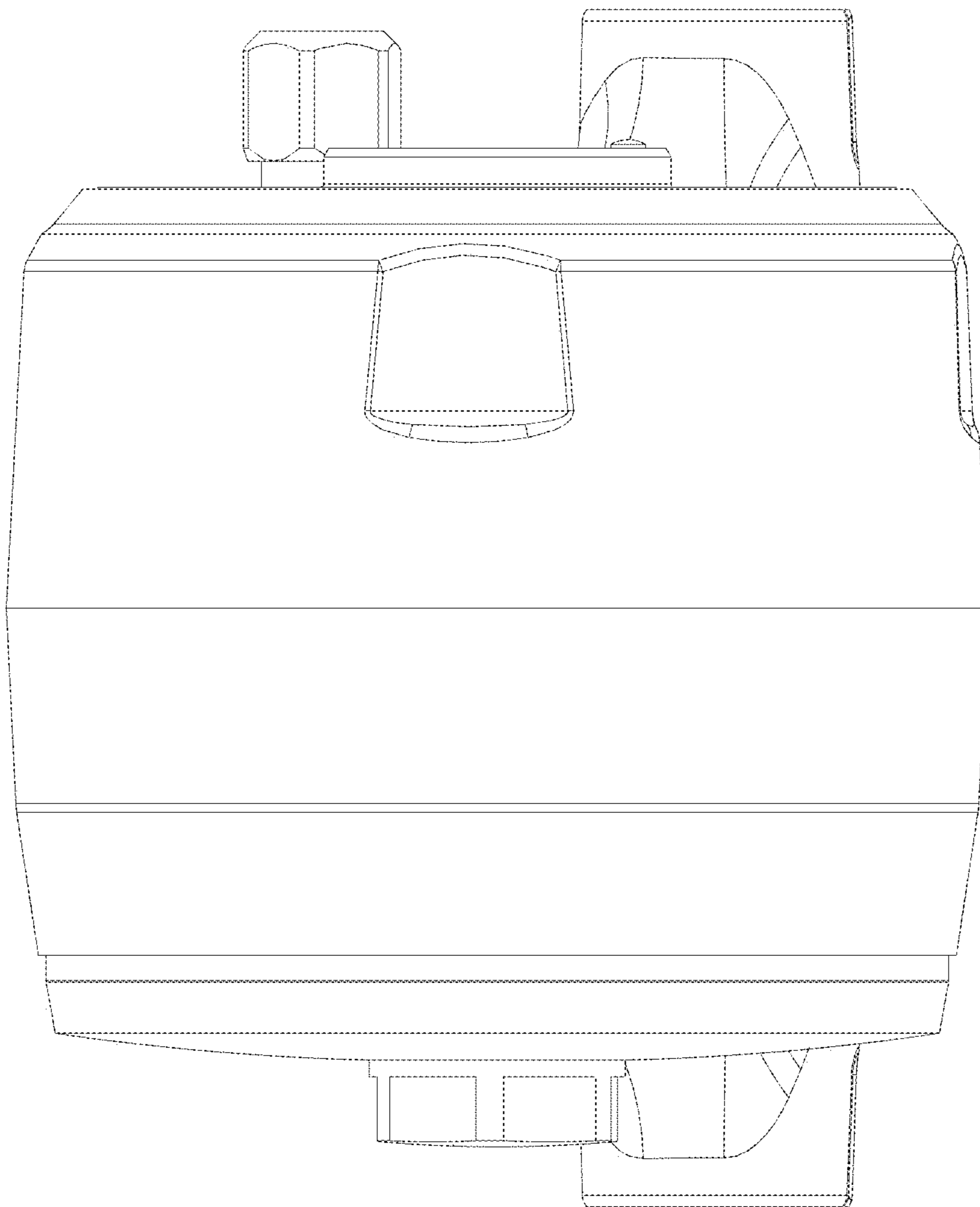


Fig. 5

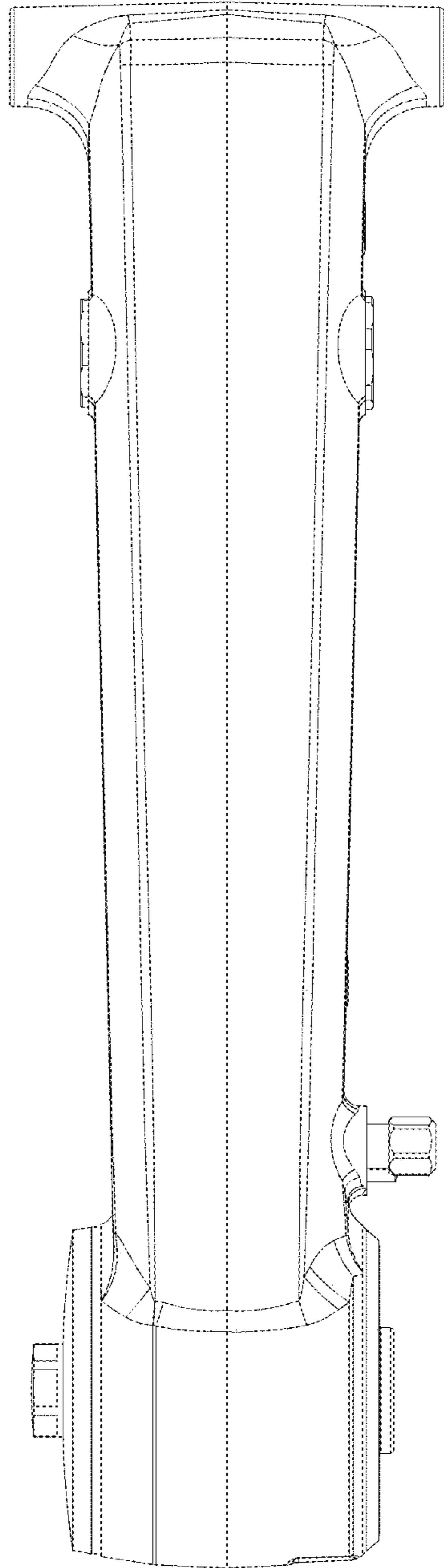


Fig. 6

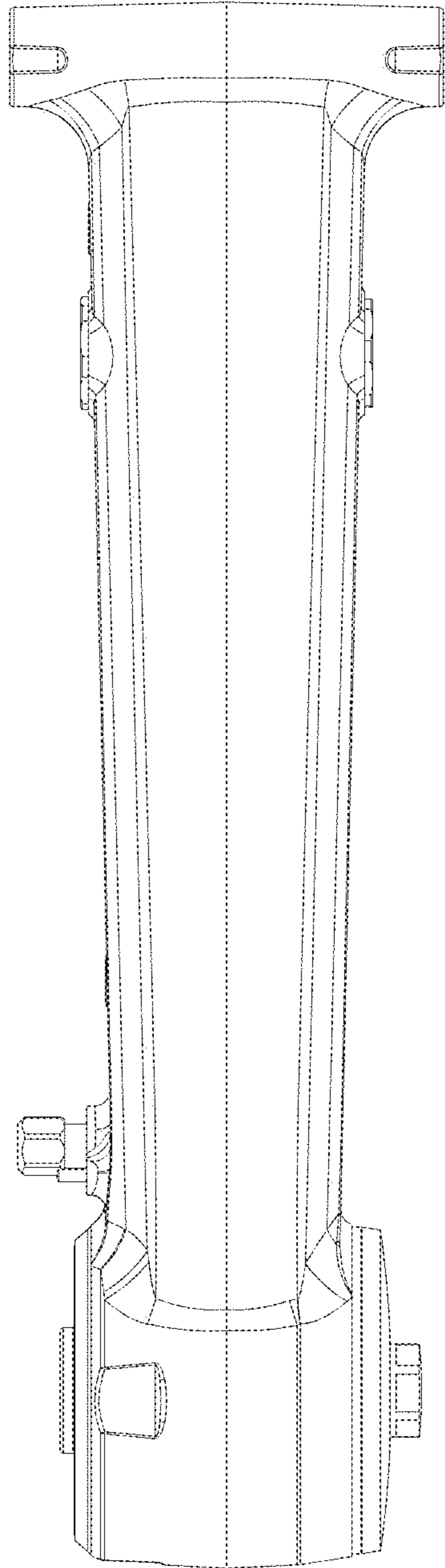


Fig. 7